



US00D988609S

(12) **United States Design Patent**
Smith et al.

(10) **Patent No.:** **US D988,609 S**

(45) **Date of Patent:** **** Jun. 6, 2023**

(54) **PROTECTIVE MASK**

(71) Applicant: **Lincoln Global, Inc.**, Santa Fe Springs, CA (US)

(72) Inventors: **Richard D. Smith**, Hudson, OH (US);
Chase P. Rutti, Cleveland, OH (US);
Joseph R. Brusky, Willowick, OH (US);
Paul H. Rumpke, Cleveland, OH (US)

(73) Assignee: **Lincoln Global, Inc.**, Santa Fe Springs, CA (US)

(**) Term: **15 Years**

(21) Appl. No.: **29/707,333**

(22) Filed: **Sep. 27, 2019**

(51) **LOC (14) Cl.** **29-02**

(52) **U.S. Cl.**
USPC **D29/108**

(58) **Field of Classification Search**

USPC D29/100, 102, 103, 104, 105, 106, 108,
D29/110, 122; D2/866, 865, 891;
D24/110.1, 110.2, 110.3, 127
CPC A41D 13/11; A41D 13/1107; A41D
13/1184; A41D 13/1161; A41D 13/1169;
A41D 13/1176; A42B 3/18; A42B 3/185;
A42B 3/20; A42B 3/225; A42B 3/04;
A42B 3/0406; A42B 5/00; A63B 71/08;
A63B 2071/105; A63B 71/10; A61F 9/06;
A61F 9/029; A41G 7/00

See application file for complete search history.

(56) **References Cited**

U.S. PATENT DOCUMENTS

D518,625 S * 4/2006 Barnhouse D2/866
D531,385 S * 11/2006 Lund D2/600
D569,079 S * 5/2008 Whong D2/502
D636,128 S * 4/2011 Hancock D29/108
D666,364 S * 8/2012 Votel D29/108

D681,881 S * 5/2013 Pong D29/108
8,555,418 B2 * 10/2013 Singh A42B 1/0186

D706,990 S * 6/2014 Martin D29/106

(Continued)

OTHER PUBLICATIONS

Ironwear® Clear Lens, Anti-Fog Full Face Safety Goggle with Detachable Face Shield, https://www.northernsafety.com/Product/200822?gclid=EAIaIqobChMljcOmx935-glVkyrlCh11fQ-2LEAQYAiABEgLE_D_BwE Copyright © 2022 Northern Safety Co., Inc. (Year: 2022).*

(Continued)

Primary Examiner — Elizabeth J Oswecki

(74) *Attorney, Agent, or Firm* — Brad C. Spencer

(57) **CLAIM**

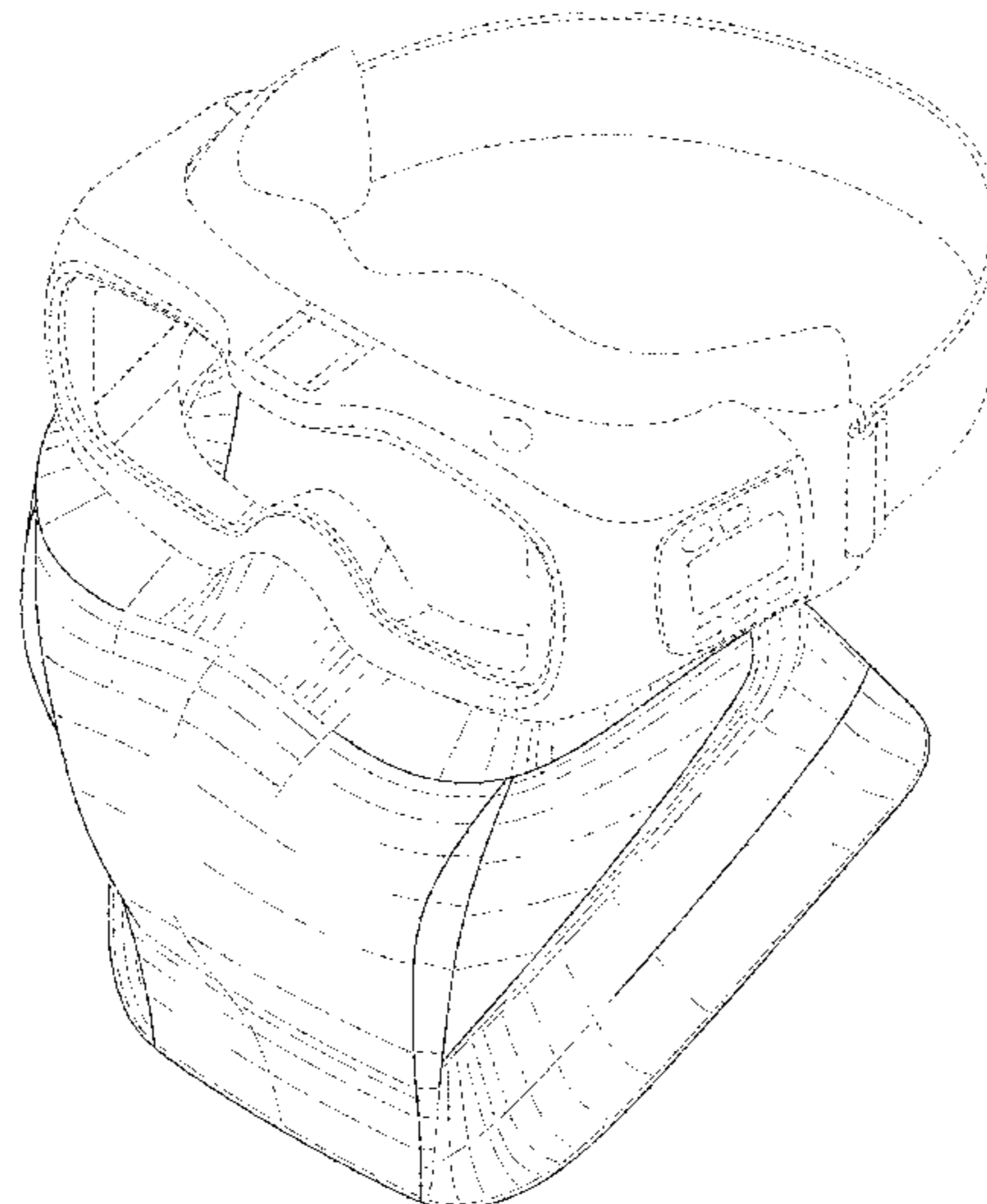
The ornamental design for a protective mask, as shown and described.

DESCRIPTION

FIG. 1 is a perspective view of a first embodiment of a protective mask, showing our new design; FIG. 2 is a front elevational view thereof; FIG. 3 is a rear elevational view thereof; FIG. 4 is a left side elevational view thereof; FIG. 5 is a right side elevational view thereof; FIG. 6 is a top plan view thereof; and FIG. 7 is a bottom plan view thereof; FIG. 8 is a perspective view of a second embodiment of a protective mask, showing our new design; FIG. 9 is a front elevational view thereof; FIG. 10 is a rear elevational view thereof; FIG. 11 is a left side elevational view thereof; FIG. 12 is a right side elevational view thereof; FIG. 13 is a top plan view thereof; and, FIG. 14 is a bottom plan view thereof.

The broken lines illustrate environmental features that form no part of the claimed design.

1 Claim, 13 Drawing Sheets



(56)

References Cited

U.S. PATENT DOCUMENTS

D723,245 S * 3/2015 Womack D2/600
 D726,970 S * 4/2015 Martin D29/108
 D767,115 S * 9/2016 Mingo D24/110.1
 D777,380 S * 1/2017 Win D29/108
 D781,503 S * 3/2017 Rose D29/108
 10,575,583 B2 * 3/2020 Stephens A42B 3/20
 D885,677 S * 5/2020 Acosta D29/108
 10,687,569 B1 * 6/2020 McDermid A42B 3/20
 D912,240 S * 3/2021 Butler D24/110.1
 D930,258 S * 9/2021 O’Toole D29/122
 D944,461 S * 2/2022 Hancock D29/122
 D946,214 S * 3/2022 Mitchell-Khan D29/110
 D948,798 S * 4/2022 Owen D29/110
 D959,754 S * 8/2022 Hughes D24/110.2
 D960,487 S * 8/2022 Fain D2/500
 D966,619 S * 10/2022 McQuiston D29/108
 2013/0014316 A1 * 1/2013 Castro G02C 11/00
 2013/0152930 A1 * 6/2013 Votel A61M 16/1045
 2017/0209720 A1 * 7/2017 Mingo A62B 23/025

OTHER PUBLICATIONS

Impact Resistant Safety Goggles, Clear Anti-Fog, Scratch-Resistant Lens, V90 Series, https://www.zoro.com/kleenguard-impact-resistant-safety-goggles-clear-anti-fog-scratch-resistant-lens-v90-series-18629/i/G2191831/?utm_source=google&utm_medium=surfaces&utm_campaign=shopping%20feed&utm, 2017. (Year: 2017).*

Lincoln Electric; “Welding Helmets—Viking™ 1740;” <https://www.lincolnelectric.com/en-us/equipment/welding-gear/helmets/Pages/viking-1740.aspx>; Accessed on Sep. 10, 2019; pp. 1-3.

Lincoln Electric; “Viking 1840 Series Welding Helmets;” <https://www.lincolnelectric.com/en-us/equipment/welding-gear/helmets/Pages/viking-1840.aspx>; Accessed on Sep. 10, 2019; pp. 1-3.

Lincoln Electric; “Viking 2450 Series Welding Helmets;” <https://www.lincolnelectric.com/en-us/equipment/welding-gear/helmets/Pages/viking-2450.aspx>; Accessed on Sep. 10, 2019; pp. 1-4.

Lincoln Electric; “Viking 3350 Series Welding Helmets;” <https://www.lincolnelectric.com/en-us/equipment/welding-gear/helmets/Pages/viking-3350.aspx>; Accessed on Sep. 10, 2019; pp. 1-6.

* cited by examiner

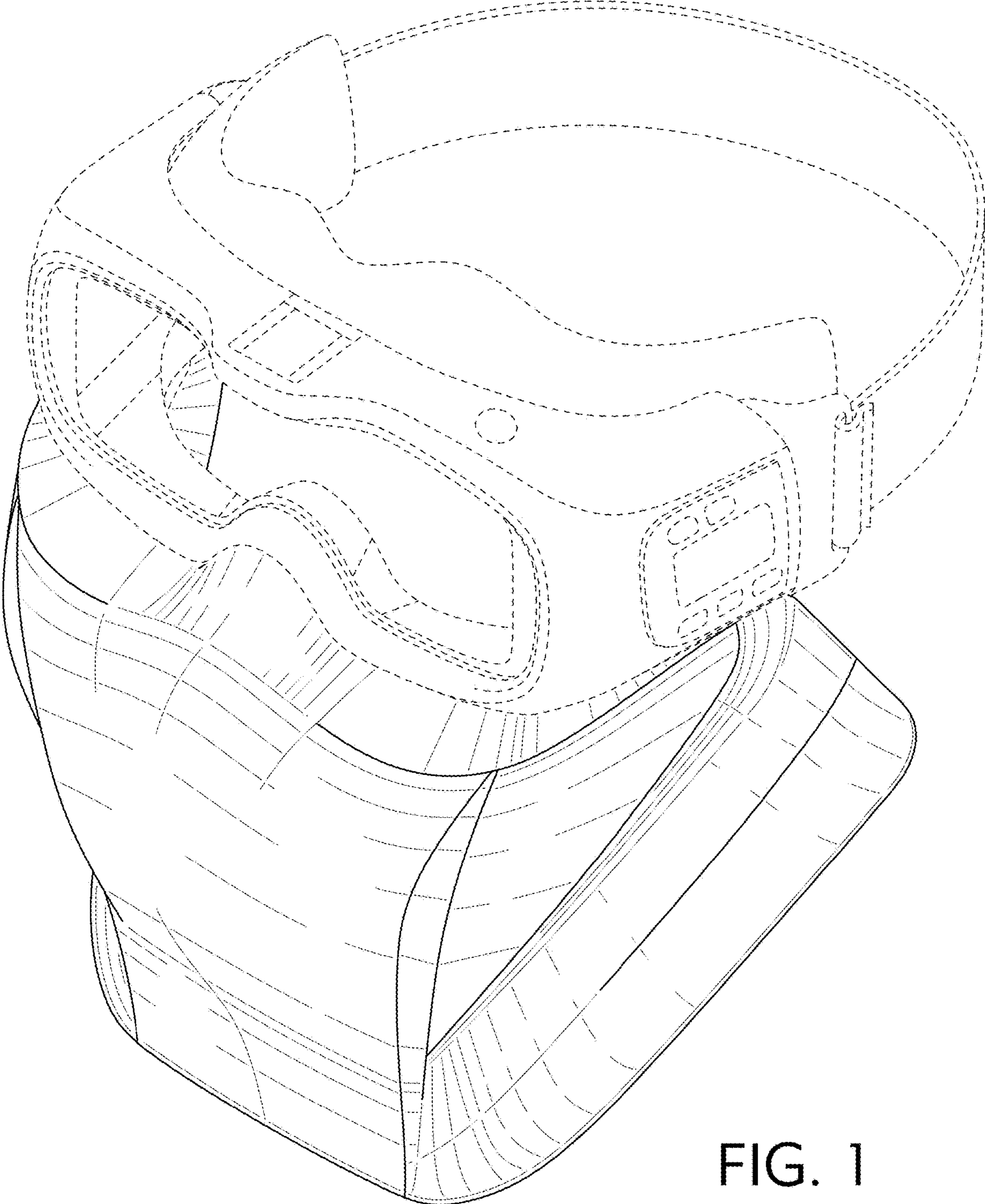


FIG. 1

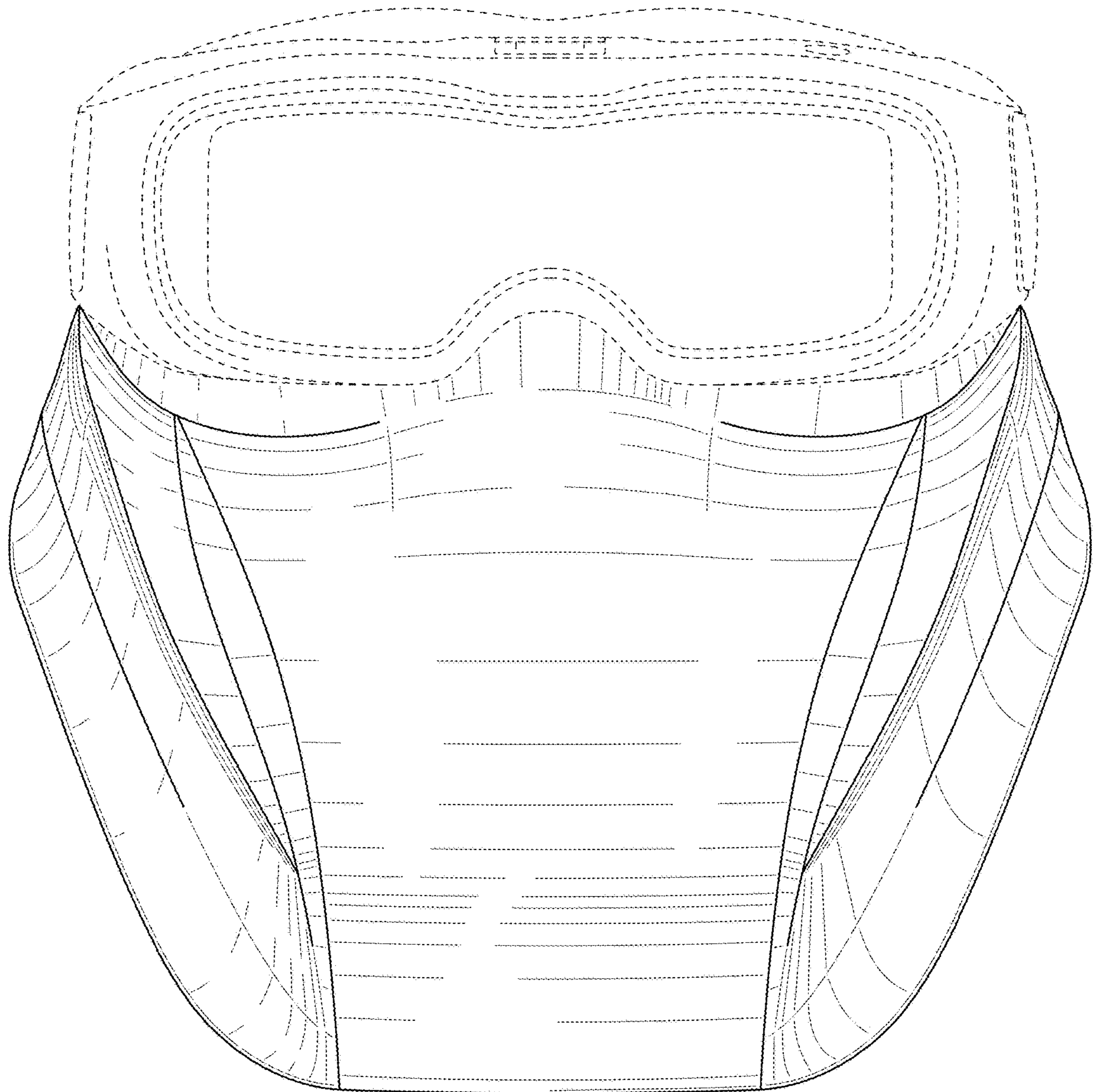


FIG. 2

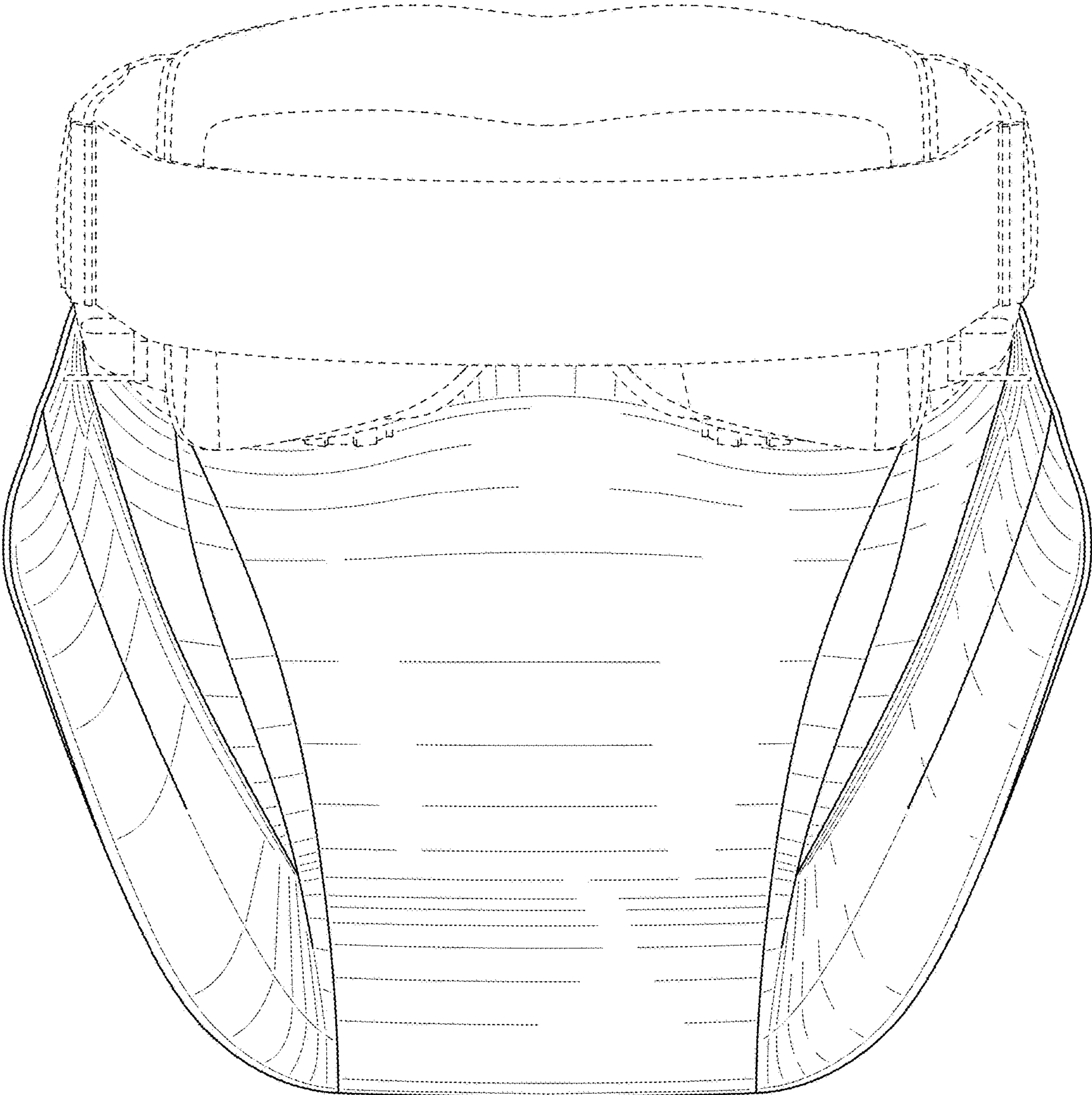


FIG. 3

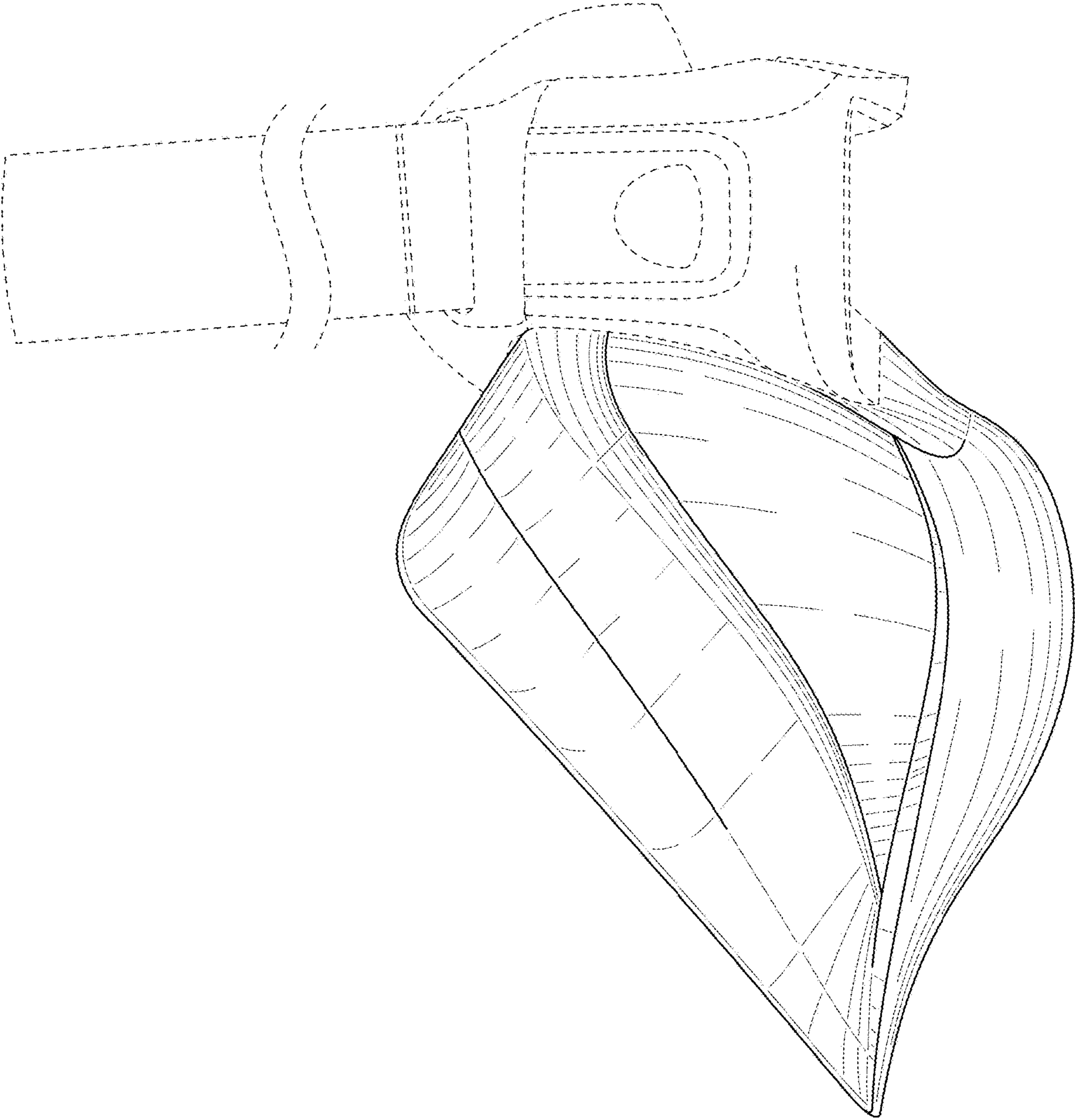


FIG. 4

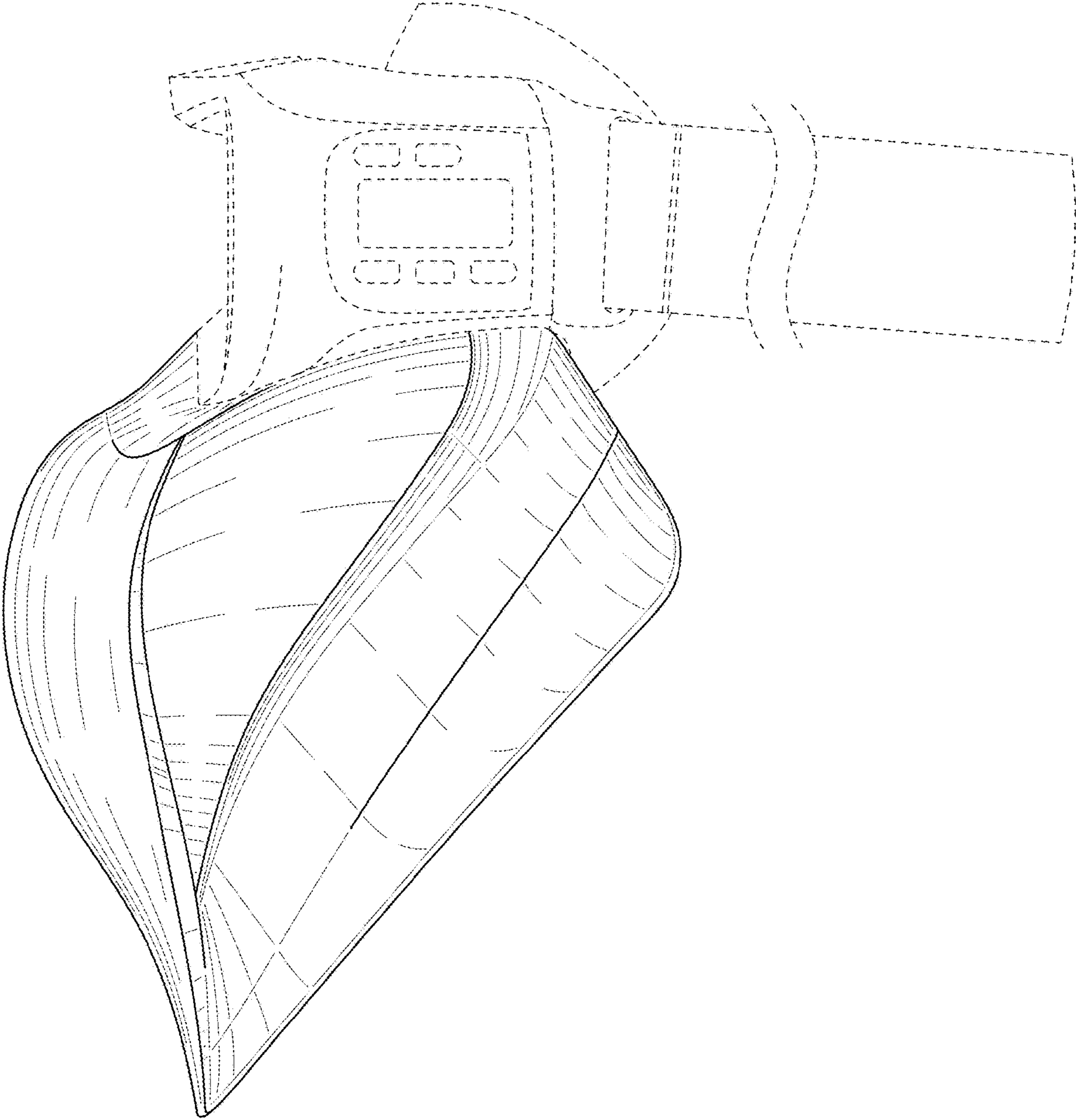


FIG. 5

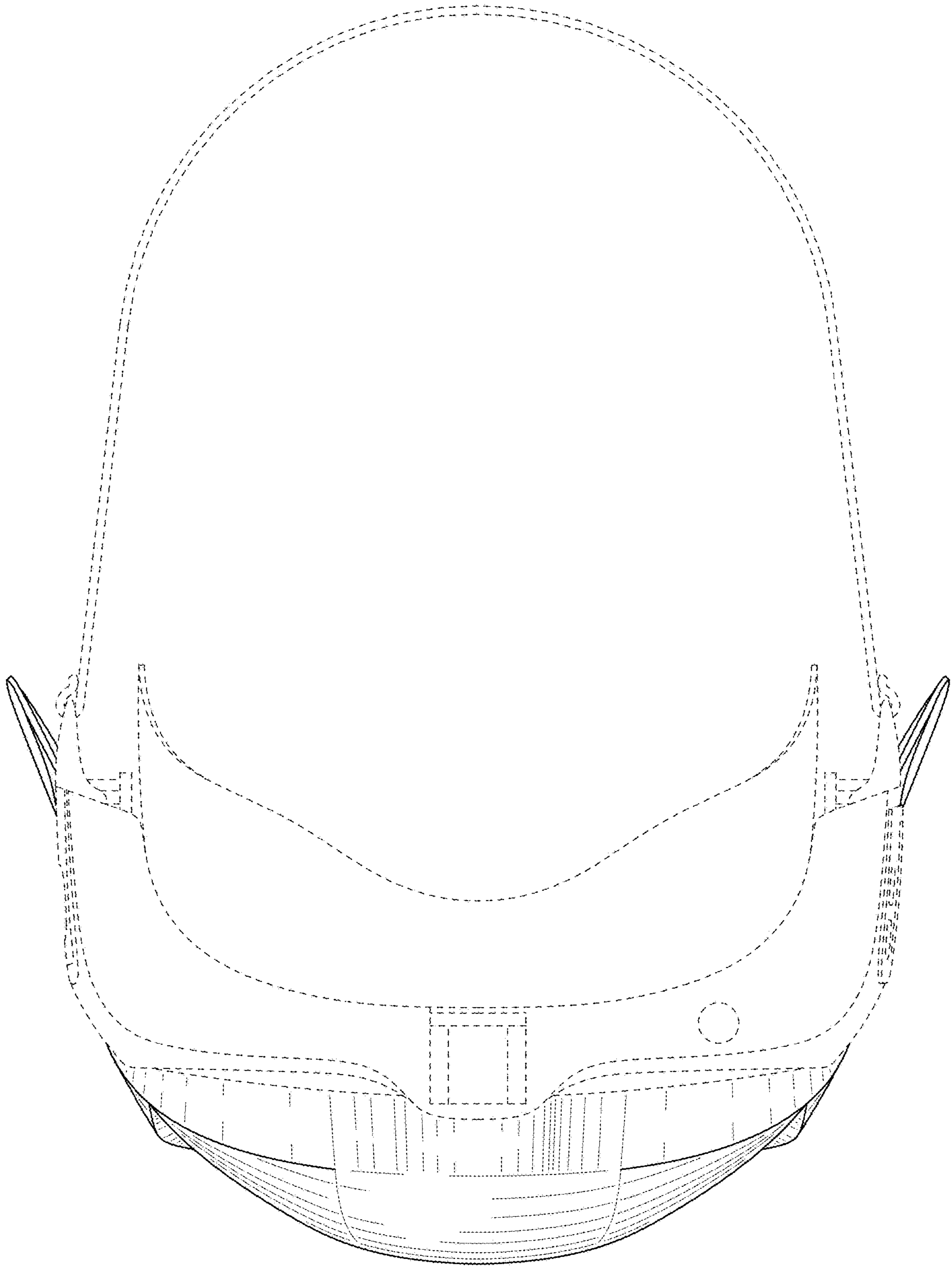


FIG. 6

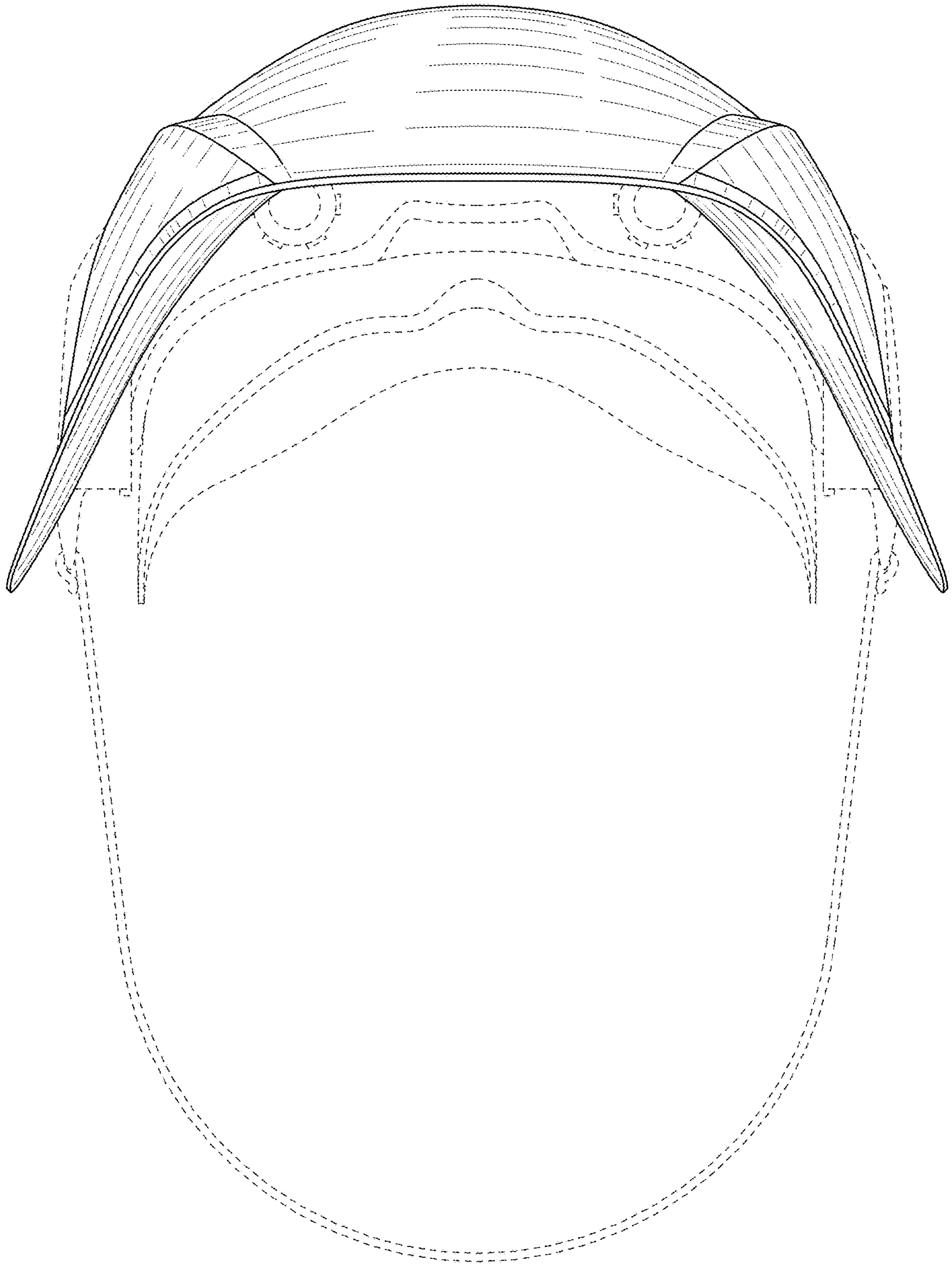


FIG. 7

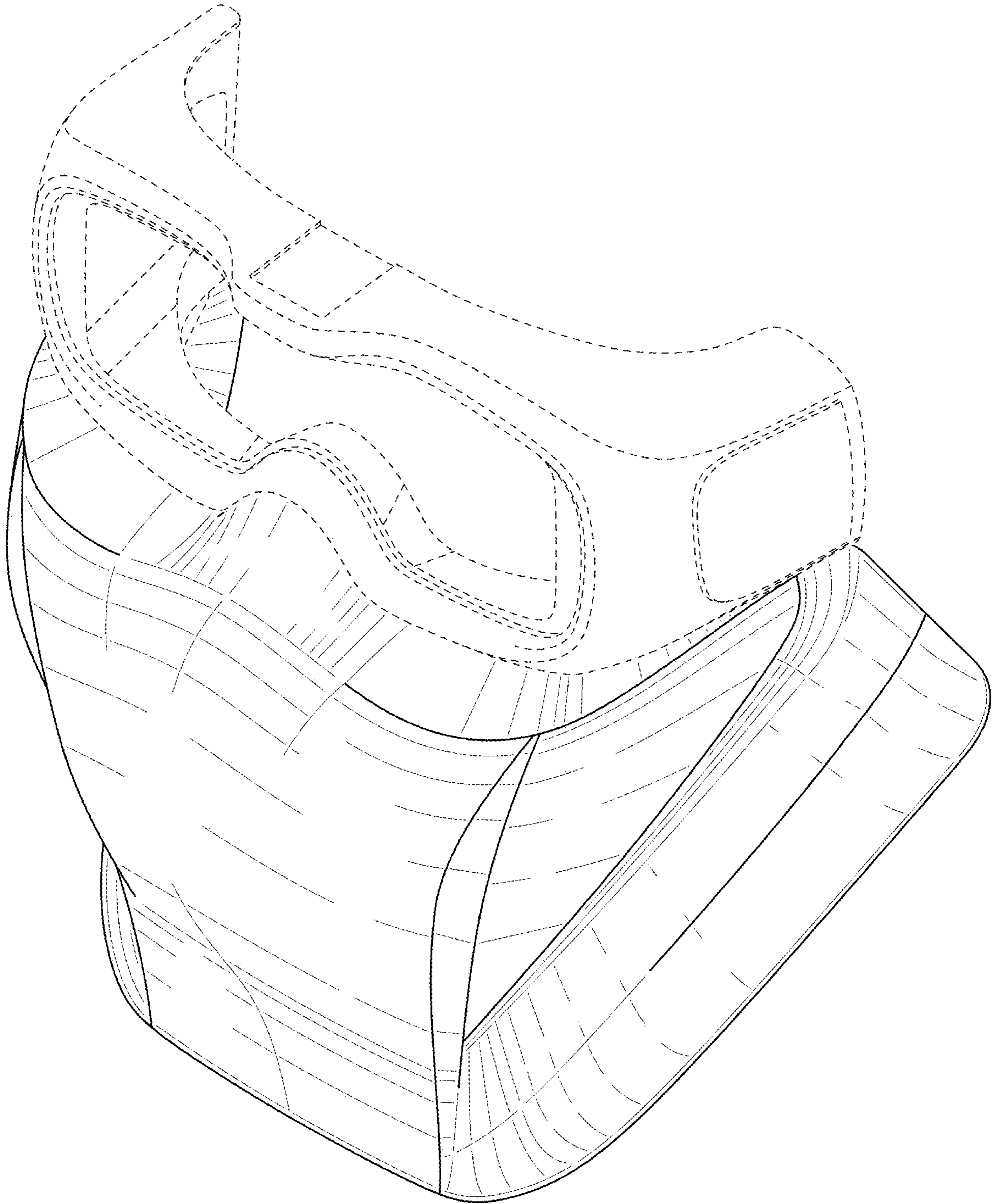


FIG. 8

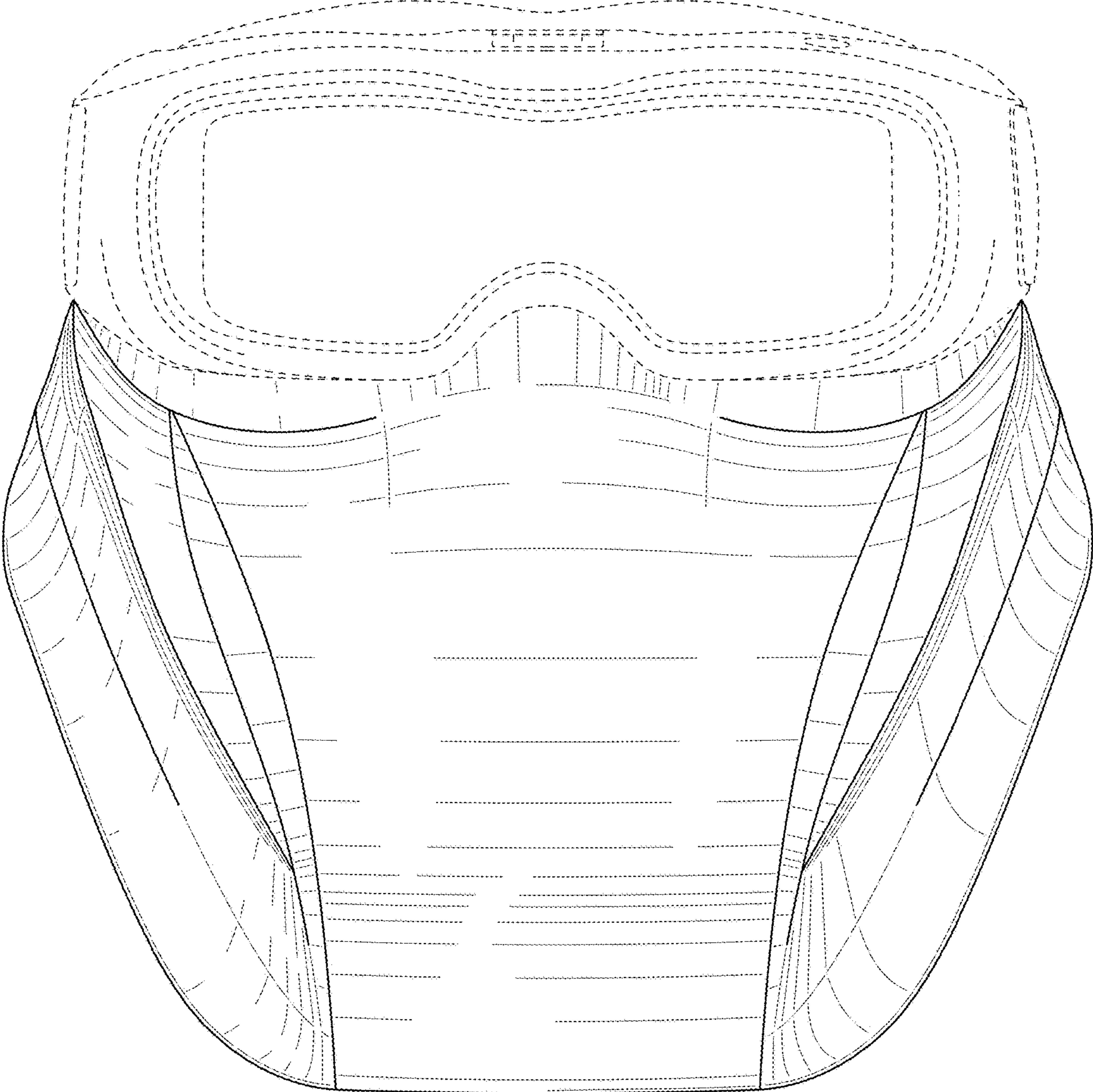


FIG. 9

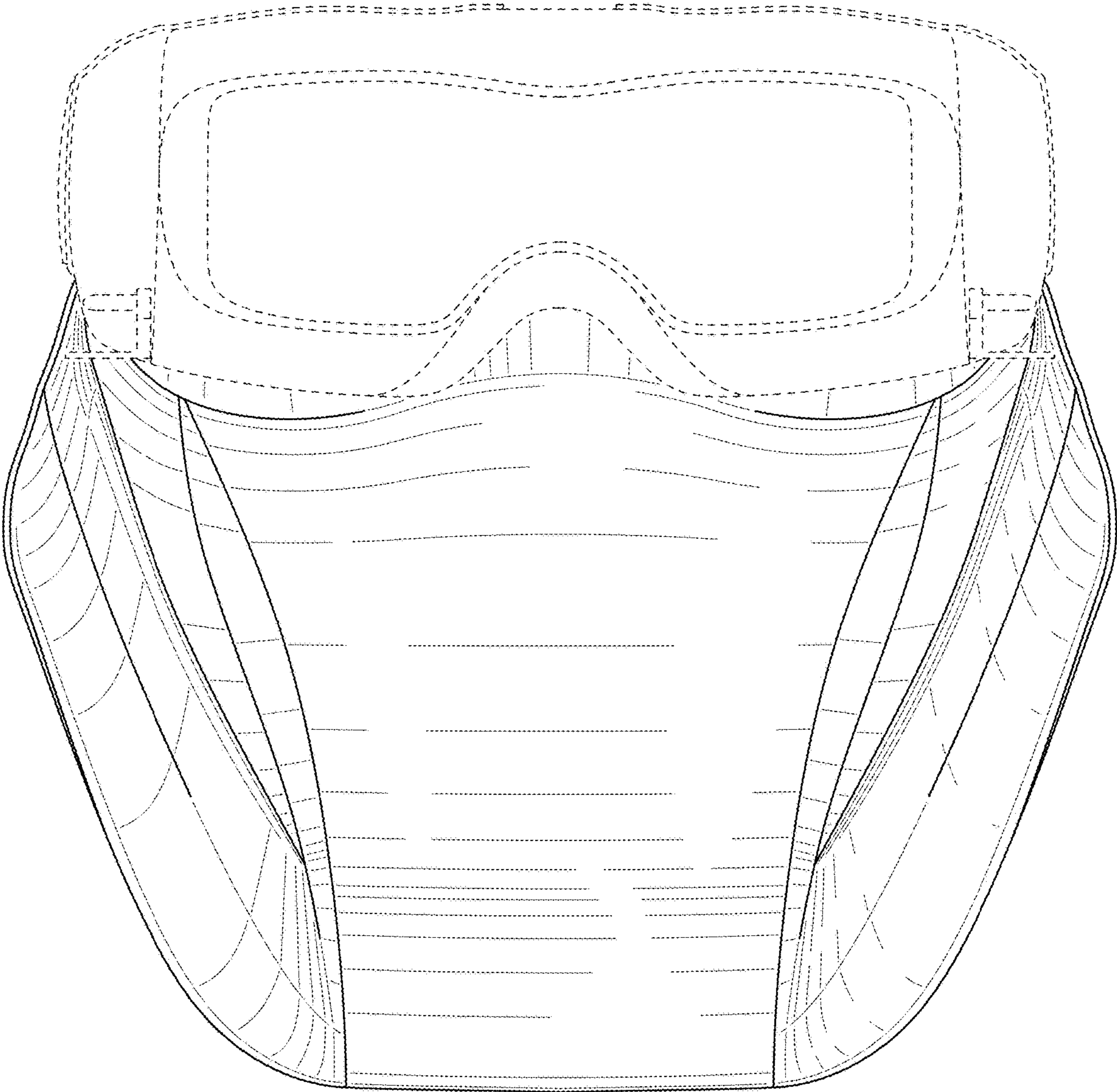


FIG. 10

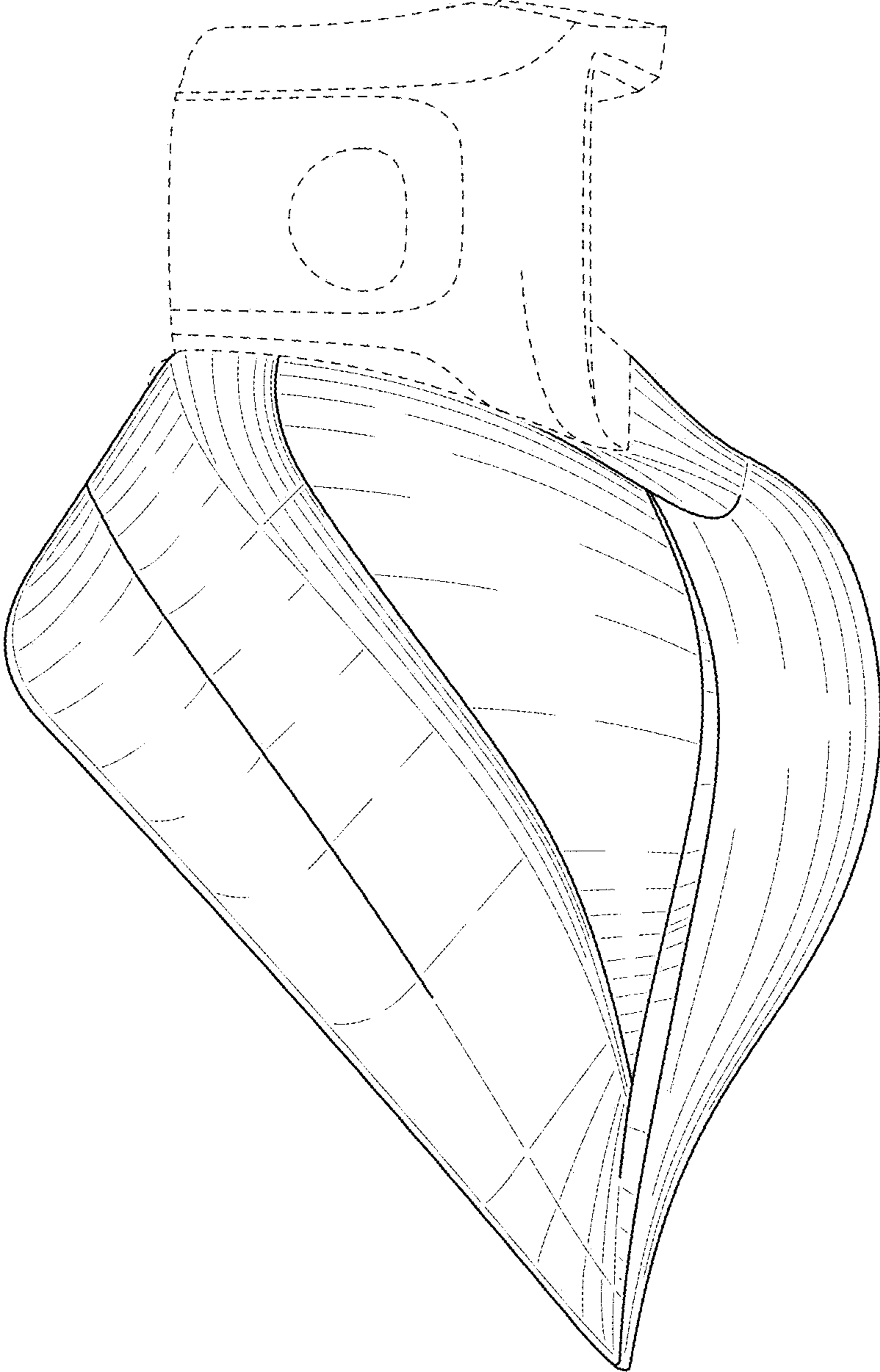


FIG. 11

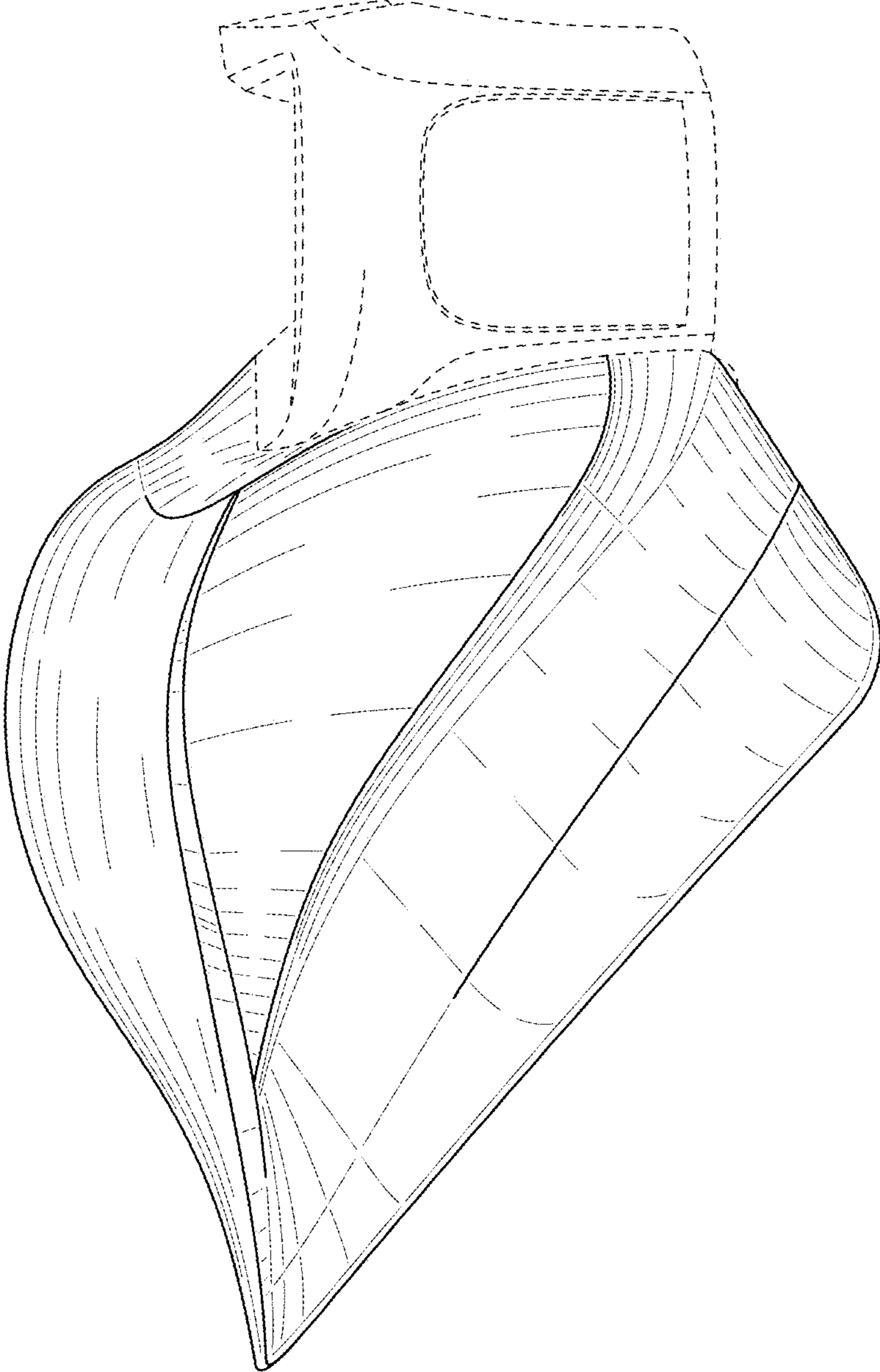


FIG. 12

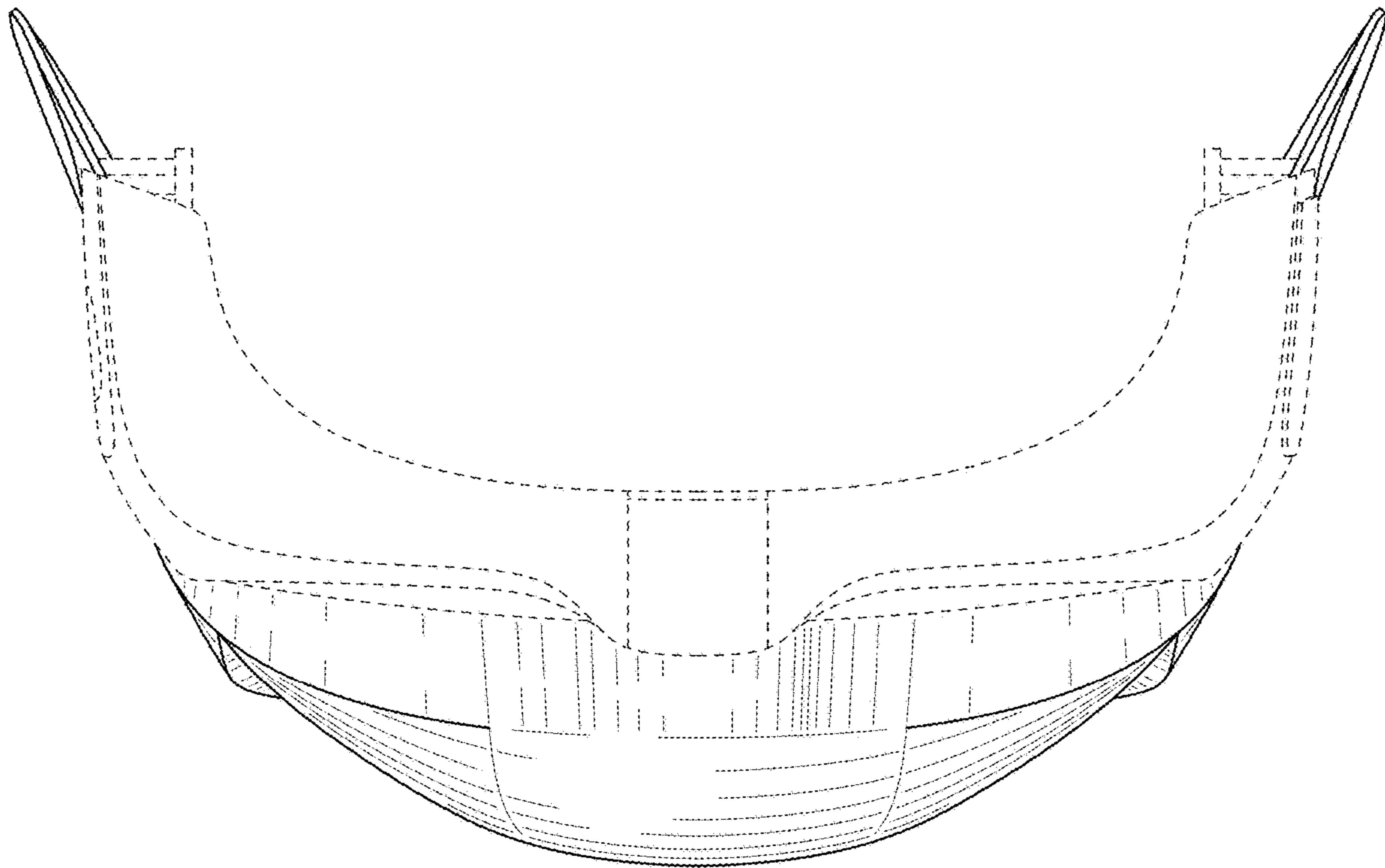


FIG. 13

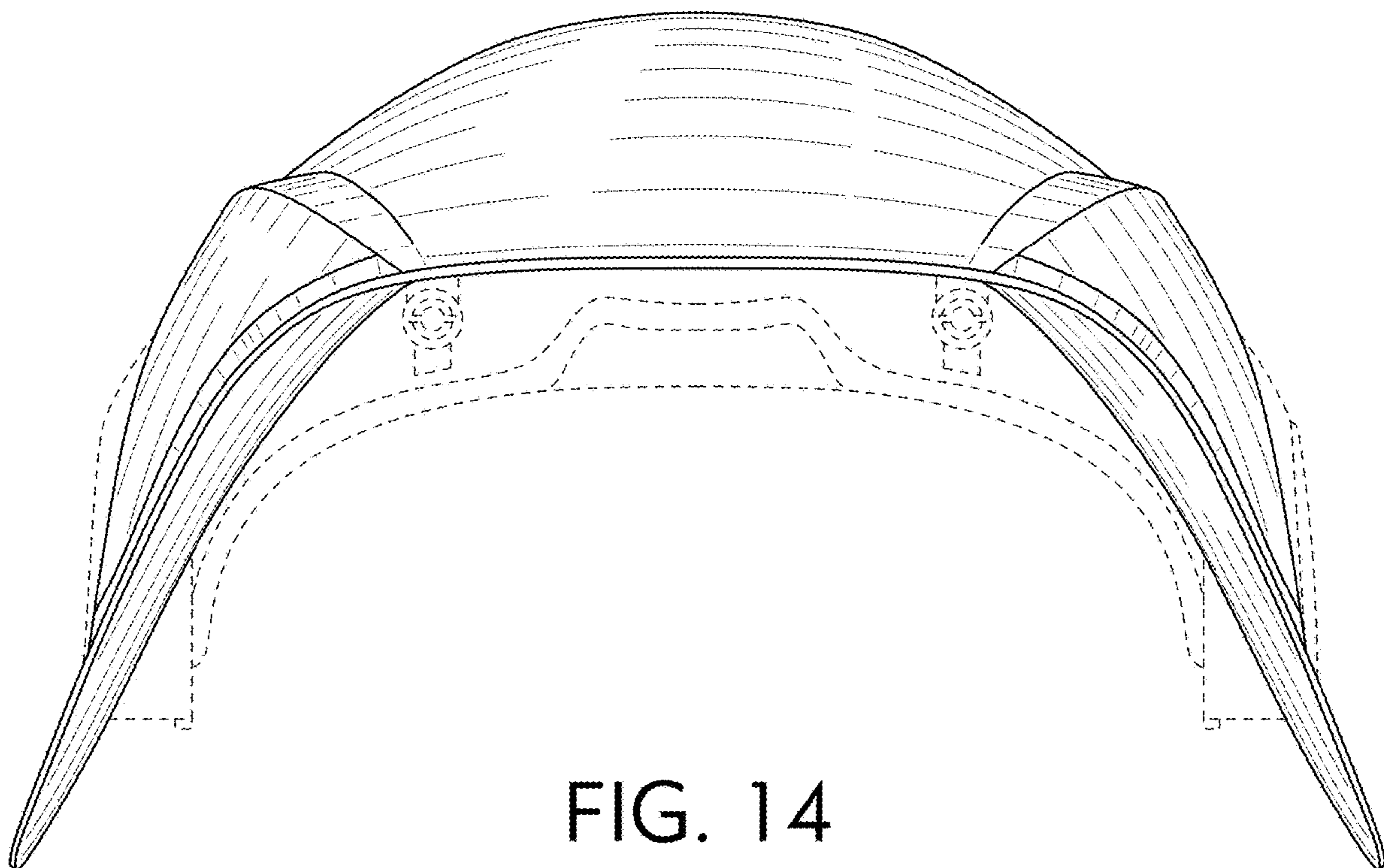


FIG. 14