



US00D988607S

(12) **United States Design Patent**
Lee

(10) **Patent No.:** **US D988,607 S**
(45) **Date of Patent:** **** Jun. 6, 2023**

- (54) **LIP MAKEUP CONTAINER**
- (71) Applicant: **Memebox Inc.**, Seoul (KR)
- (72) Inventor: **Yoonhee Lee**, Seoul (KR)
- (73) Assignee: **Memebox Inc.**, Seoul (KR)
- (**) Term: **15 Years**
- (21) Appl. No.: **29/773,166**
- (22) Filed: **Mar. 8, 2021**
- (30) **Foreign Application Priority Data**

Feb. 19, 2021 (KR) 30-2021-0008392

- (51) **LOC (14) Cl.** **28-02**
- (52) **U.S. Cl.**
USPC **D28/85**
- (58) **Field of Classification Search**
USPC D28/4, 7, 76, 77, 85, 87, 88, 89, 90;
D9/503, 529, 545, 549, 551, 558, 727,
D9/745; D19/115, 116, 123; D3/207,
D3/208, 212
CPC A45D 33/00; A45D 33/02; A45D 34/00;
A45D 34/04; A45D 34/06; A45D 34/041;
A45D 40/02; A45D 40/04; A45D 40/20;
A45D 40/00; A45D 40/24; A45D 40/06;
A45D 40/10; A45D 40/205; A45D
40/262; A45D 42/02; A45D 2200/053;
A45D 2040/0025

See application file for complete search history.

(56) **References Cited**

U.S. PATENT DOCUMENTS

- D258,569 S * 3/1981 Grip D9/529
- D289,498 S * 4/1987 Simonetti D9/522
- D293,944 S * 1/1988 Trabattoni D9/571
- D342,021 S * 12/1993 Porta D9/727
- D352,248 S * 11/1994 McIlvain D28/76
- D458,143 S * 6/2002 Ackerman D9/575
- D522,373 S * 6/2006 Bakic D9/545

- D649,478 S * 11/2011 Kim D9/558
- 8,528,739 B2 * 9/2013 Haile B65D 51/32
427/282
- 10,413,039 B2 * 9/2019 Gurure A45D 40/265
(Continued)

FOREIGN PATENT DOCUMENTS

CN 306896882 * 10/2021

OTHER PUBLICATIONS

I'm Meme Water Gel Tint . . . [online]; [review published May 18, 2021]; [retrieved from the internet on Sep. 13, 2022]; URL:https://www.amazon.com/Meme-Lip-Stain-Highly-pigmented-Travel-Friendly/dp/B091GSQ9J3?th=1 (12 pages). (Year: 2021).*

(Continued)

Primary Examiner — Jasmine Mlinarcik
Assistant Examiner — Victoria A. Rielly
(74) *Attorney, Agent, or Firm* — Studebaker & Brackett PC

(57) **CLAIM**

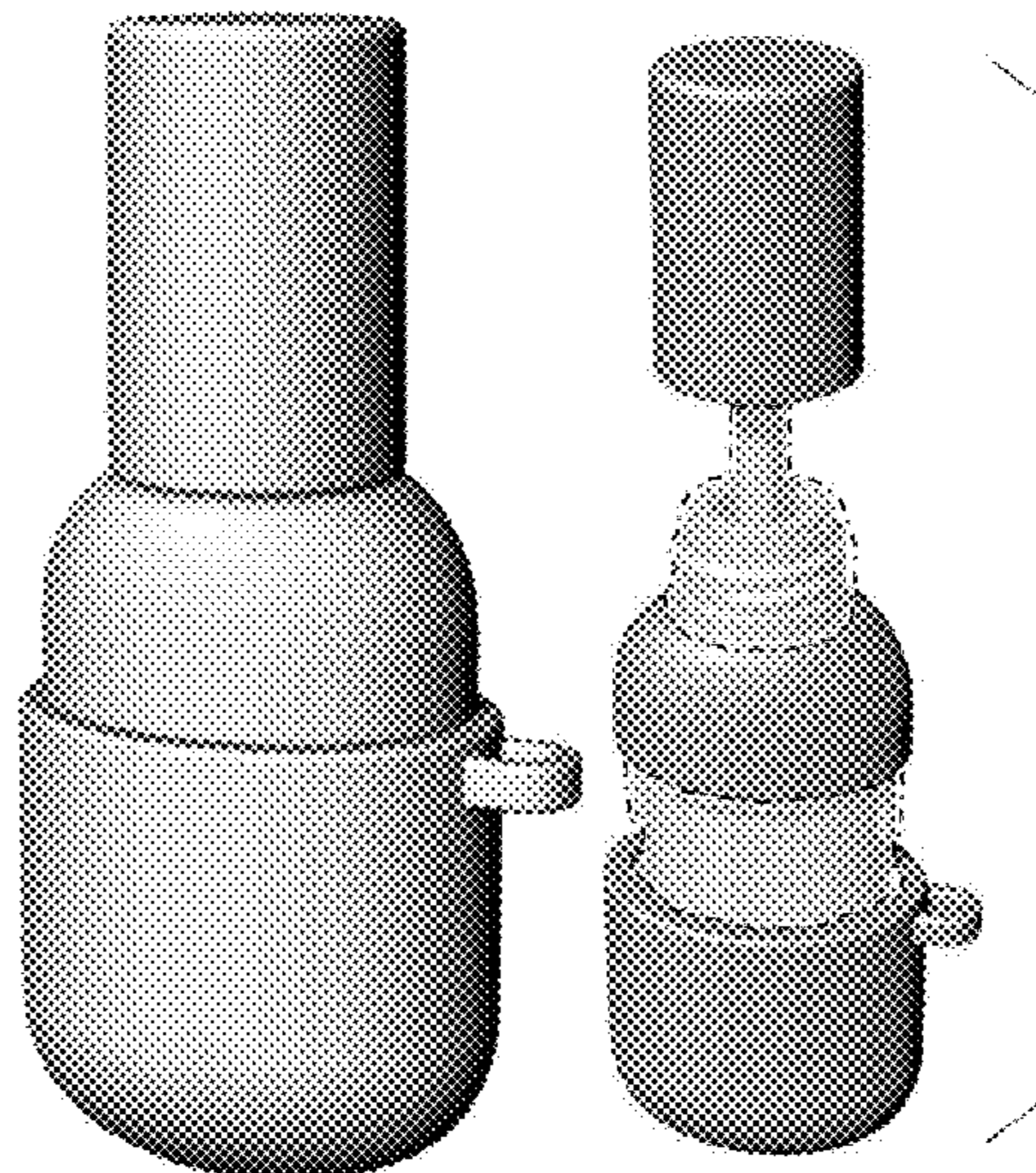
The ornamental design for lip makeup container, as shown and described.

DESCRIPTION

FIG. 1 is a perspective view of new design for lip makeup container as shown in the drawings; FIG. 2 is a front elevation view thereof; FIG. 3 is a rear elevation view thereof; FIG. 4 is a left side view thereof; FIG. 5 is a right side view thereof; FIG. 6 is a top plan view thereof; FIG. 7 is a bottom plan view thereof; and, FIG. 8 is an exploded view of the lip makeup container with the cap slightly removed.

The dot-dash-dot broken lines in the drawings define portions of the lip makeup container that form no part of the claimed design.

1 Claim, 8 Drawing Sheets



(56)

References Cited

U.S. PATENT DOCUMENTS

D899,259 S * 10/2020 Habig D9/558
10,863,813 B2 * 12/2020 Davis A45D 29/18
2022/0274765 A1 * 9/2022 Kirstein A45D 40/00

OTHER PUBLICATIONS

Introducing . . . Color Key Ring . . . [online]; [video published to the internet on May 7, 2021]; [retrieved from the internet on Sep. 13, 2022]; URL:<https://www.youtube.com/watch?v=4hTBaFkufSA> (3 pages). (Year: 2021).*

Color Key Ring Velvet . . . [online]; [publication date unknown]; [retrieved from the internet on Sep. 13, 2022]; URL:<https://us.memebox.com/collections/new-arrivals/products/color-key-ring-velvet-tint?variant=39976799797346> (3 pages). (Year: 2022).*

* cited by examiner

FIG. 1

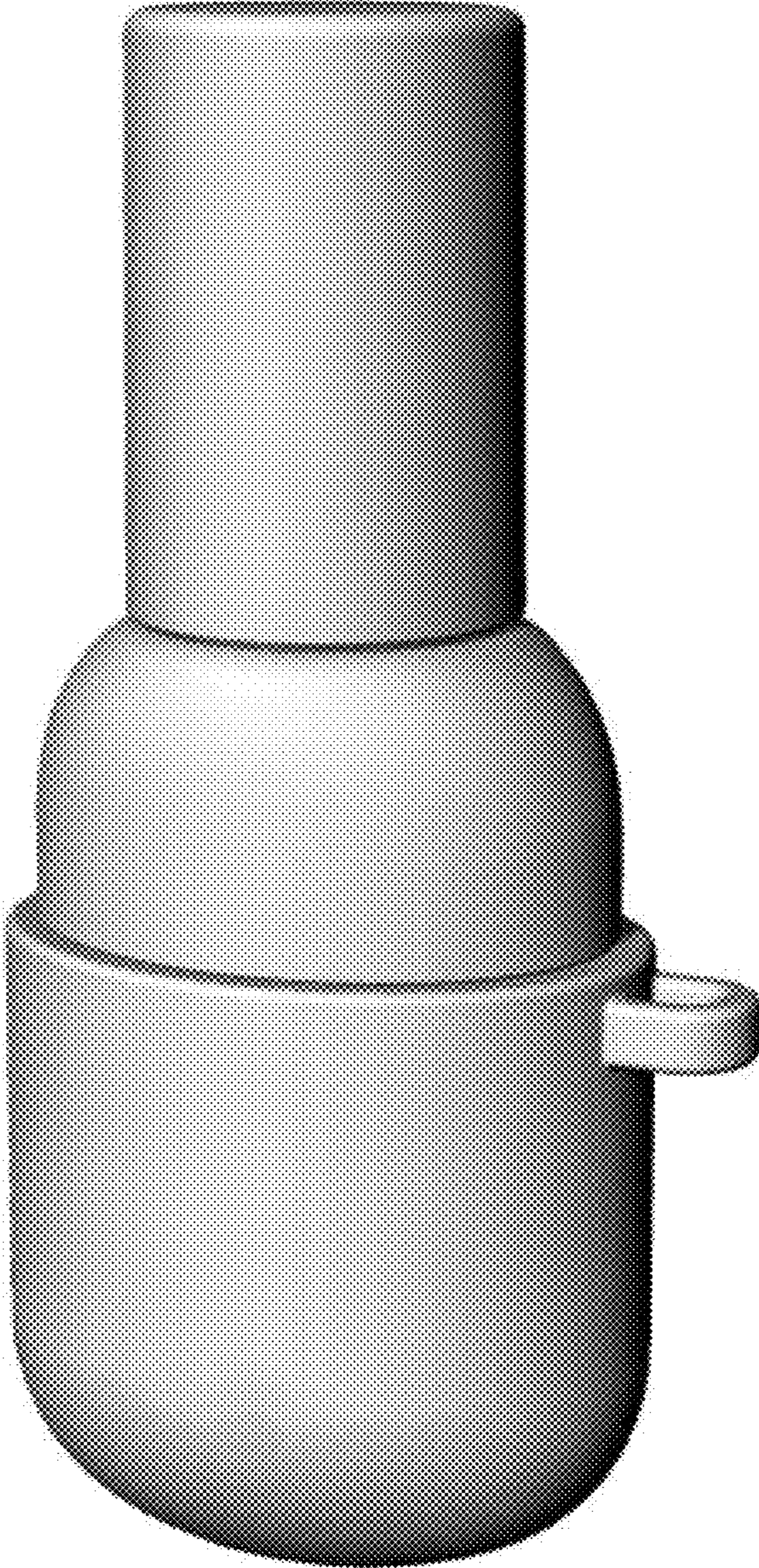


FIG. 2

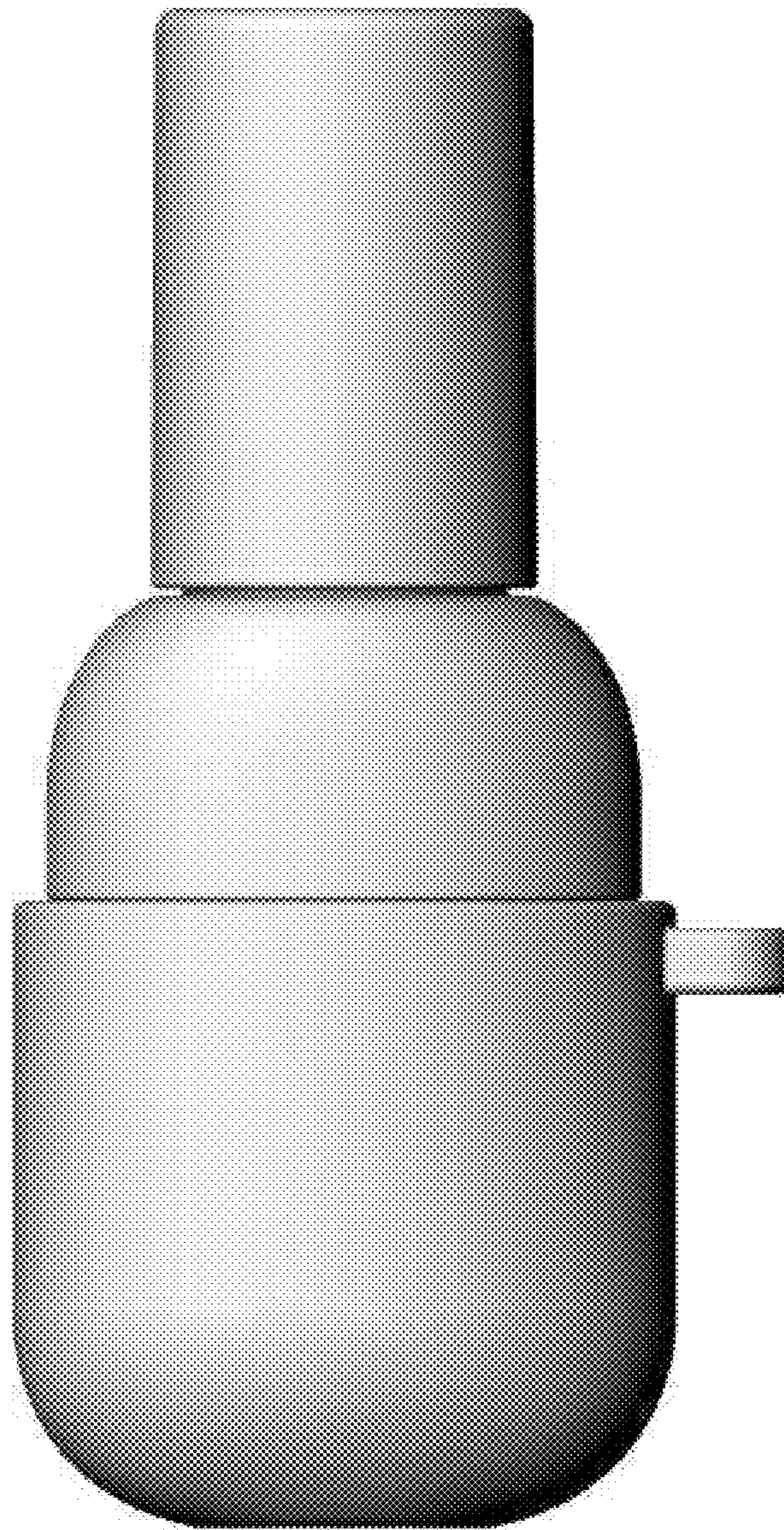


FIG. 3

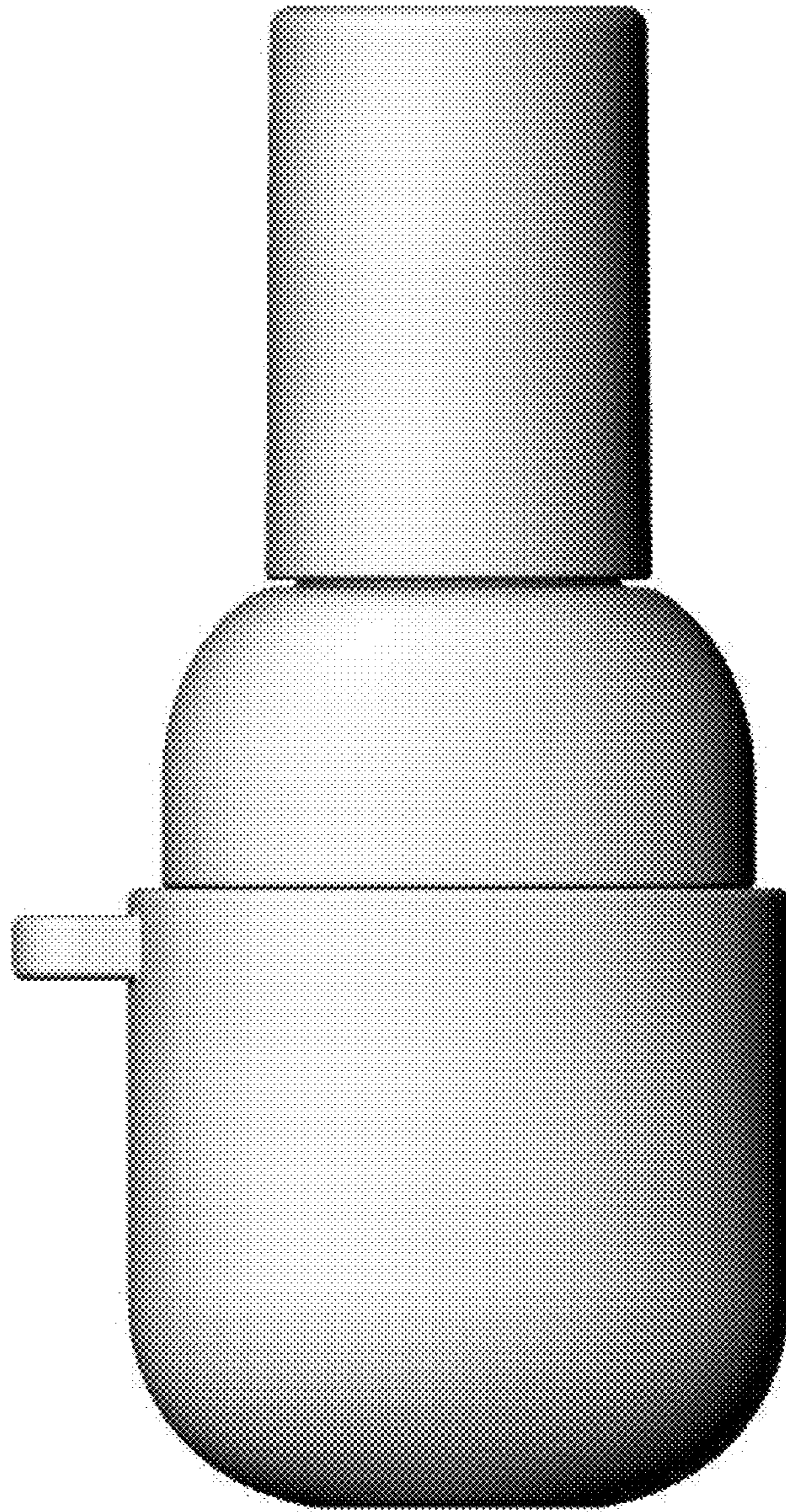


FIG. 4

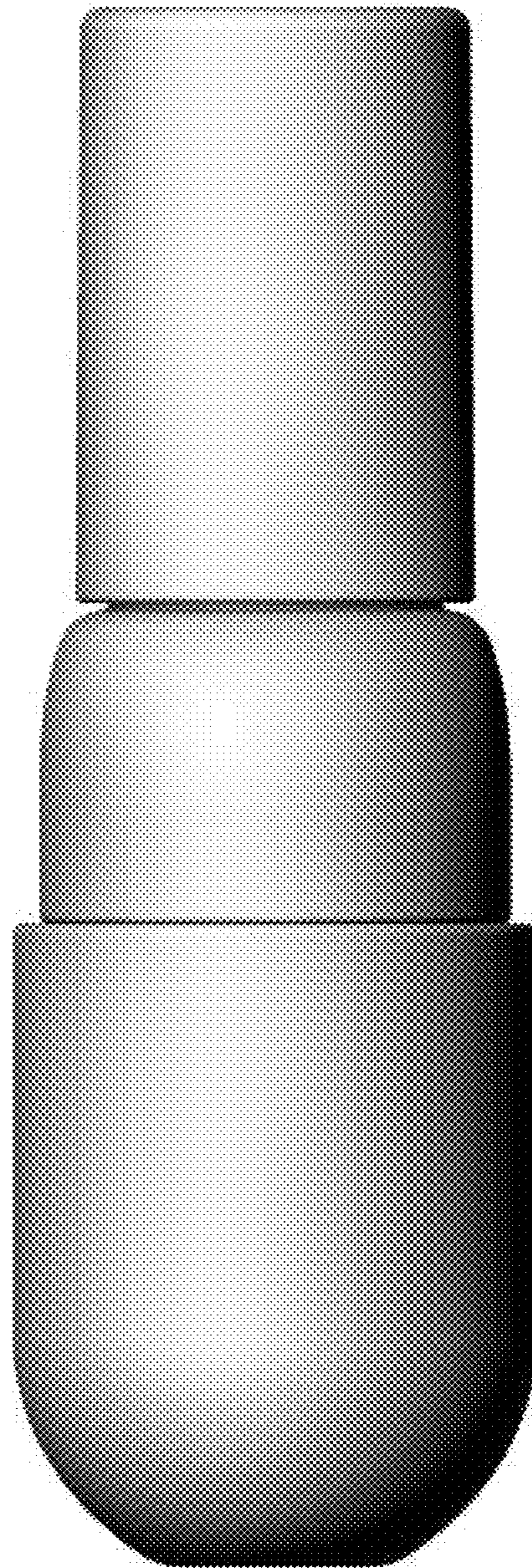


FIG. 5

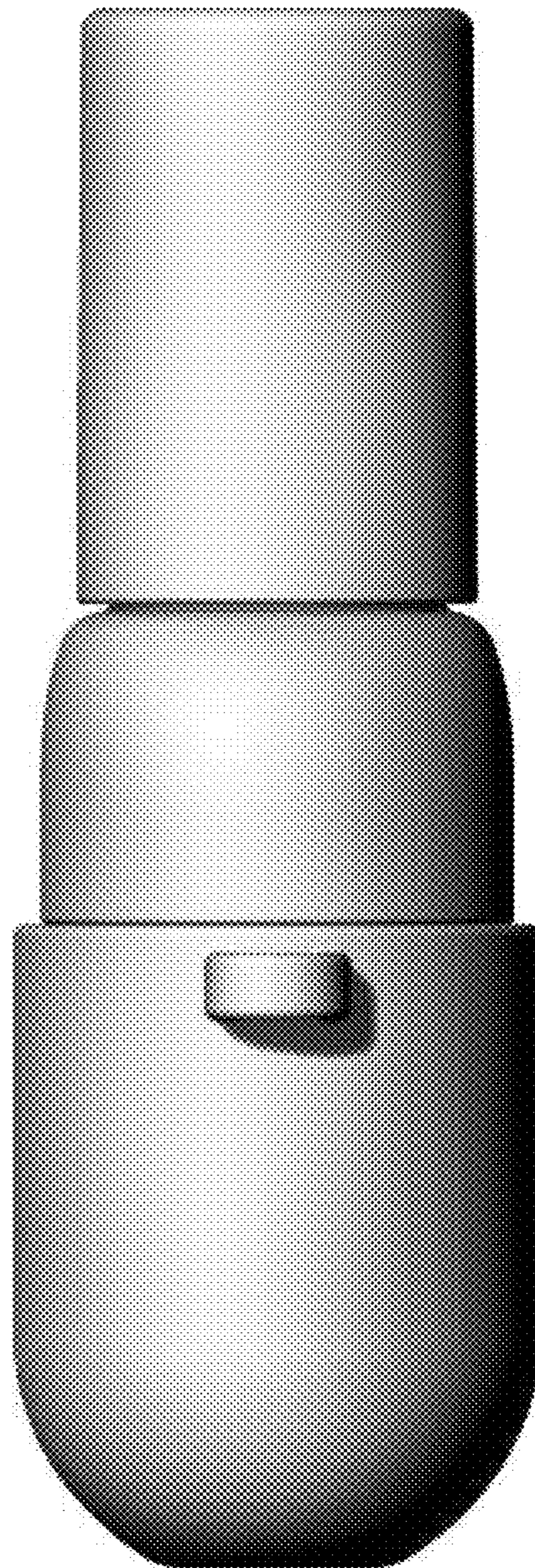


FIG. 6

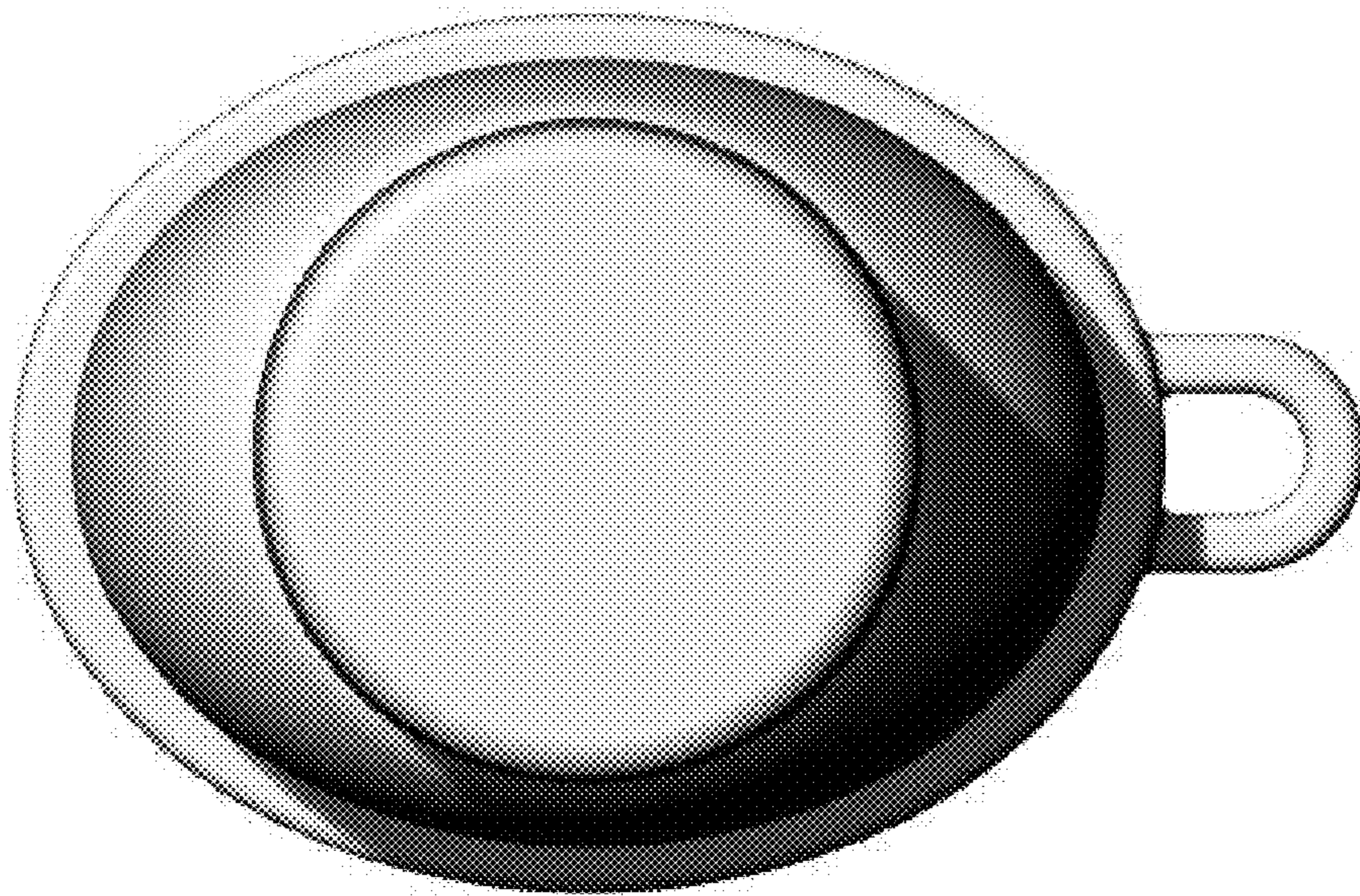
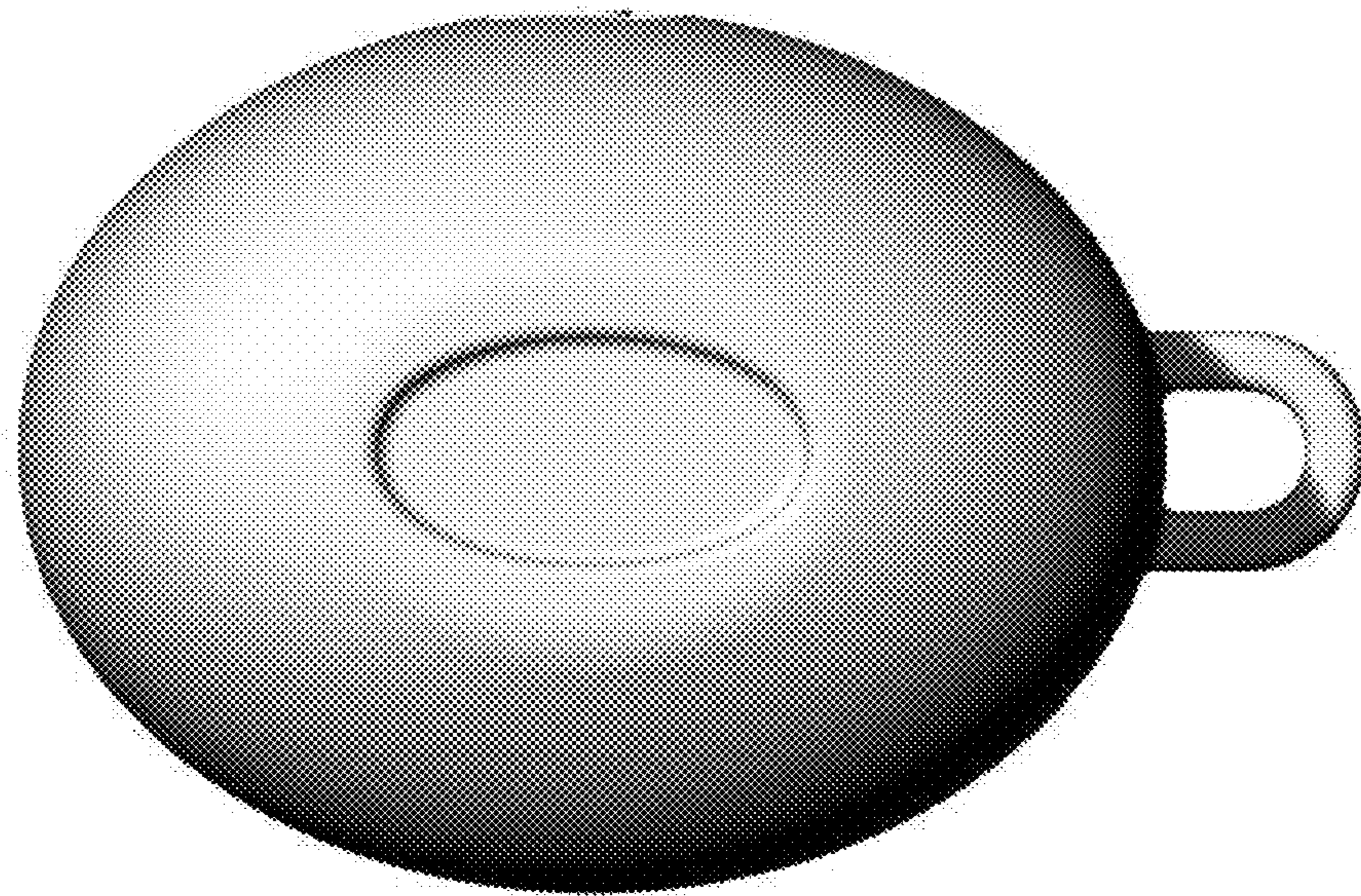


FIG. 7



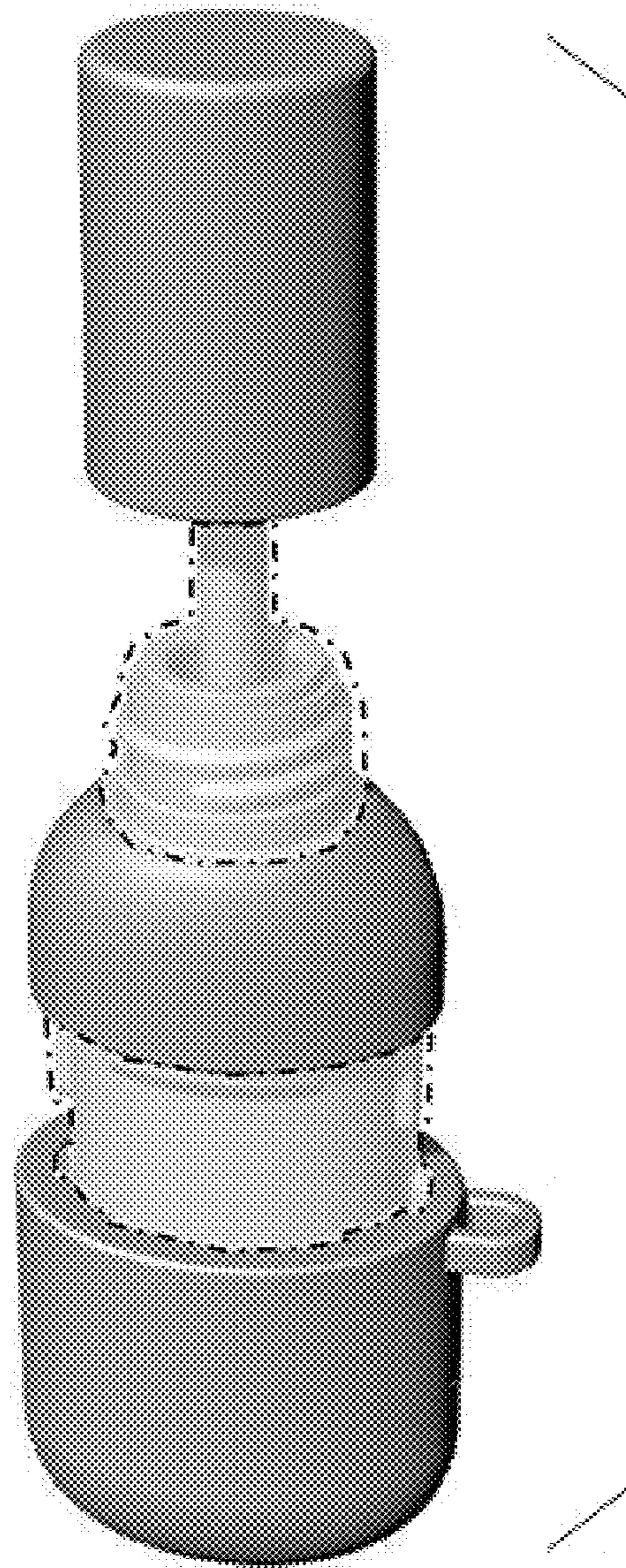


FIG. 8