



US00D988606S

(12) **United States Design Patent**
Li et al.

(10) **Patent No.:** **US D988,606 S**
(45) **Date of Patent:** **** Jun. 6, 2023**

(54) **MAKEUP PALETTE**

(71) Applicants: **Dong Li**, Anhui (CN); **Lifeng Luo**, Anhui (CN)

(72) Inventors: **Dong Li**, Anhui (CN); **Lifeng Luo**, Anhui (CN)

(**) Term: **15 Years**

(21) Appl. No.: **29/859,927**

(22) Filed: **Nov. 15, 2022**

(30) **Foreign Application Priority Data**

Aug. 30, 2022 (CN) 202230569192.3

(51) **LOC (14) Cl.** **28-03**

(52) **U.S. Cl.**
USPC **D28/78**; D19/103

(58) **Field of Classification Search**
USPC D28/76–84; D9/503–505; D19/103
CPC A45D 40/24; A45D 2040/223–225; A45D 40/22–222; A45D 33/00; A45D 33/003–008

See application file for complete search history.

(56) **References Cited**

U.S. PATENT DOCUMENTS

D460,113 S * 7/2002 Hainey, II D19/103
D506,141 S * 6/2005 Ames D28/83

D551,804 S * 9/2007 Allen D28/78
D579,608 S * 10/2008 Burrow D28/78
D580,598 S * 11/2008 Yamada D28/82
D582,100 S * 12/2008 Jackel D28/82
D611,306 S * 3/2010 Zack D19/103
D800,966 S * 10/2017 Silva D28/79
D860,541 S * 9/2019 Cardis
D882,177 S * 4/2020 Nagata D28/83
D882,179 S * 4/2020 Huang D28/78

* cited by examiner

Primary Examiner — Jennifer Rivard

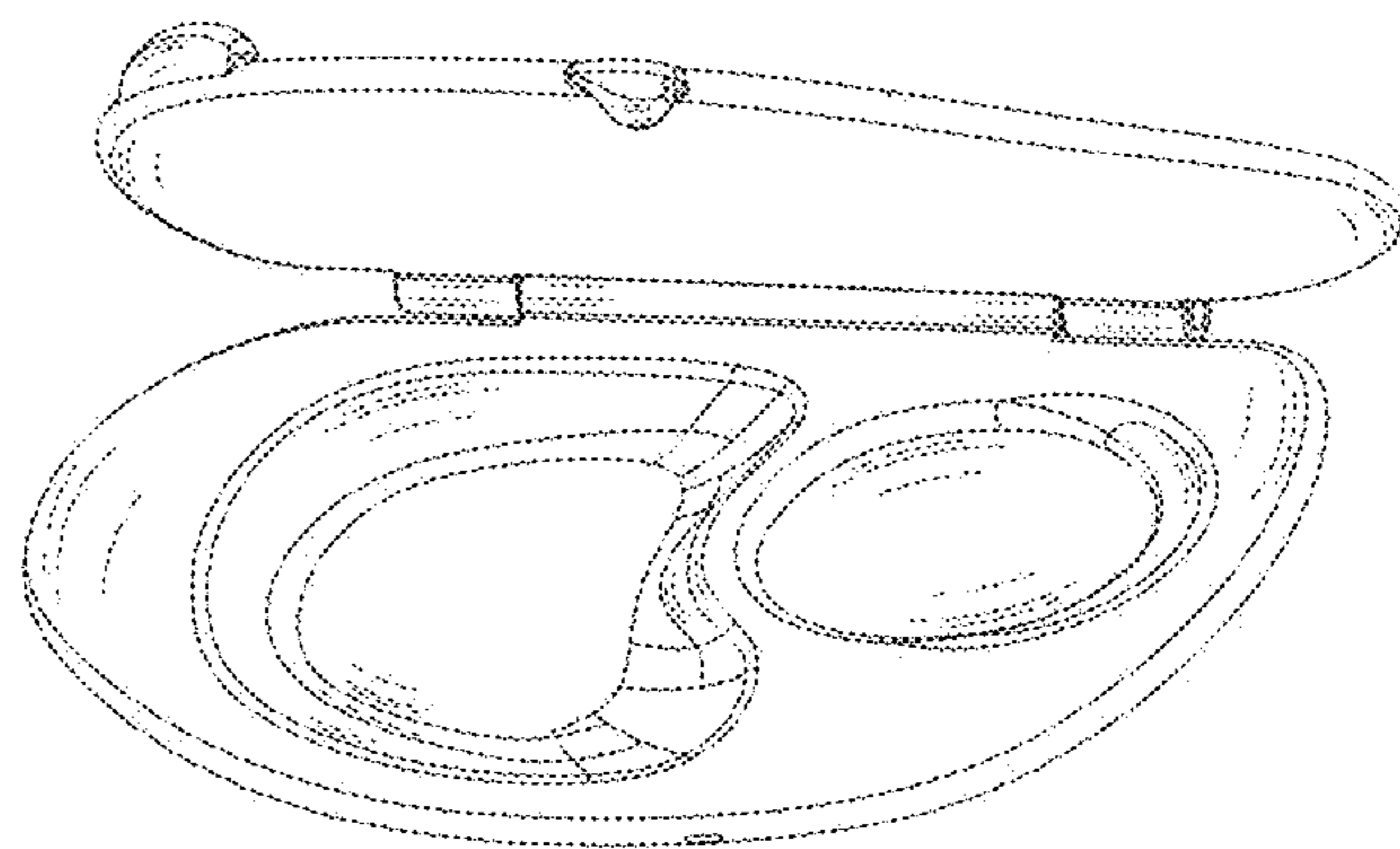
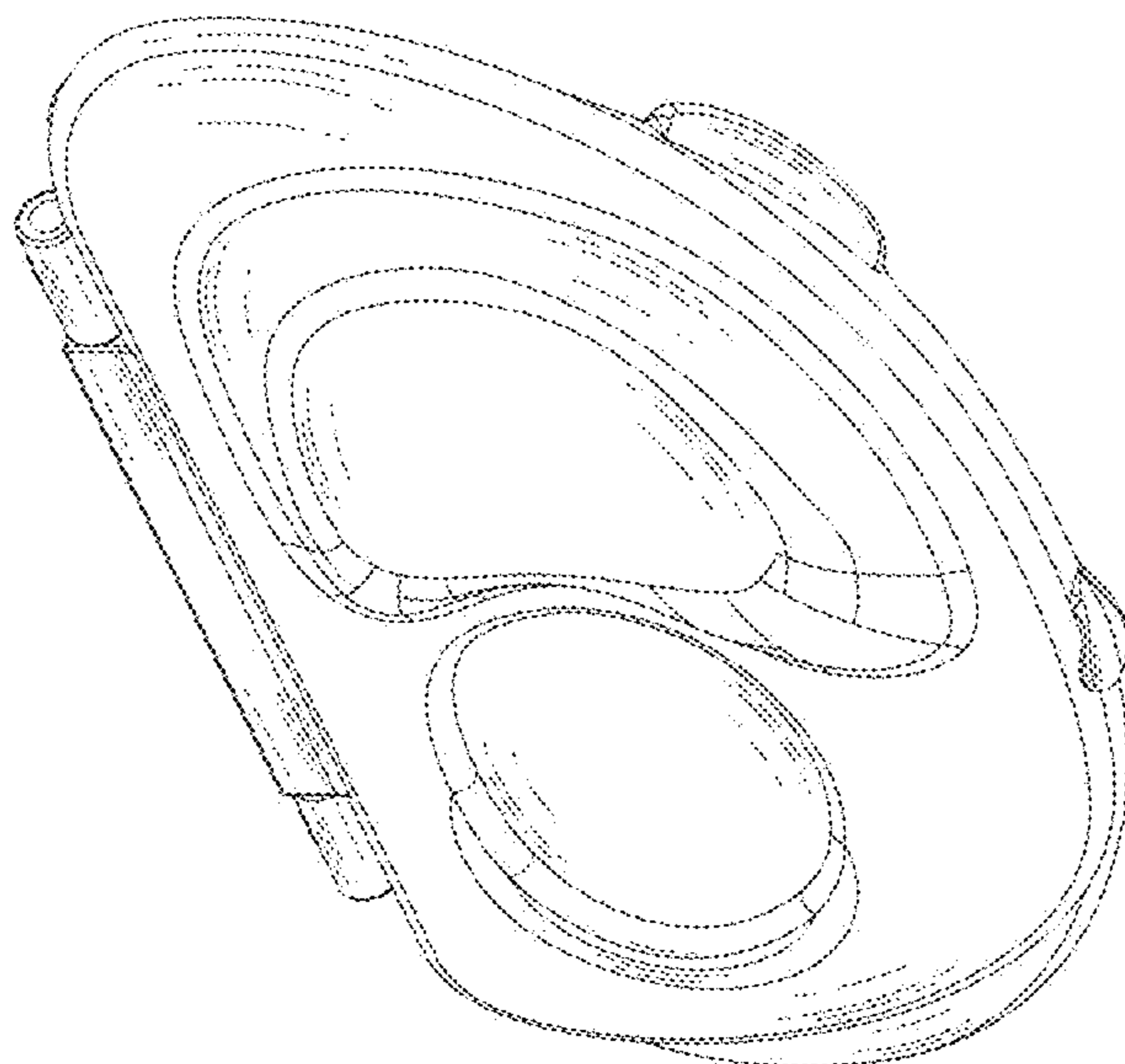
(57) **CLAIM**

The ornamental design for a makeup palette, as shown and described.

DESCRIPTION

FIG. 1 is a perspective view of a makeup palette showing our new design.
FIG. 2 is a front view of a makeup palette.
FIG. 3 is a rear view of a makeup palette.
FIG. 4 is a left side view of a makeup palette.
FIG. 5 is a right side view of a makeup palette.
FIG. 6 is a top view of a makeup palette.
FIG. 7 is a bottom view of a makeup palette; and,
FIG. 8 is a perspective view of a makeup palette shown in an open state of use.

1 Claim, 8 Drawing Sheets



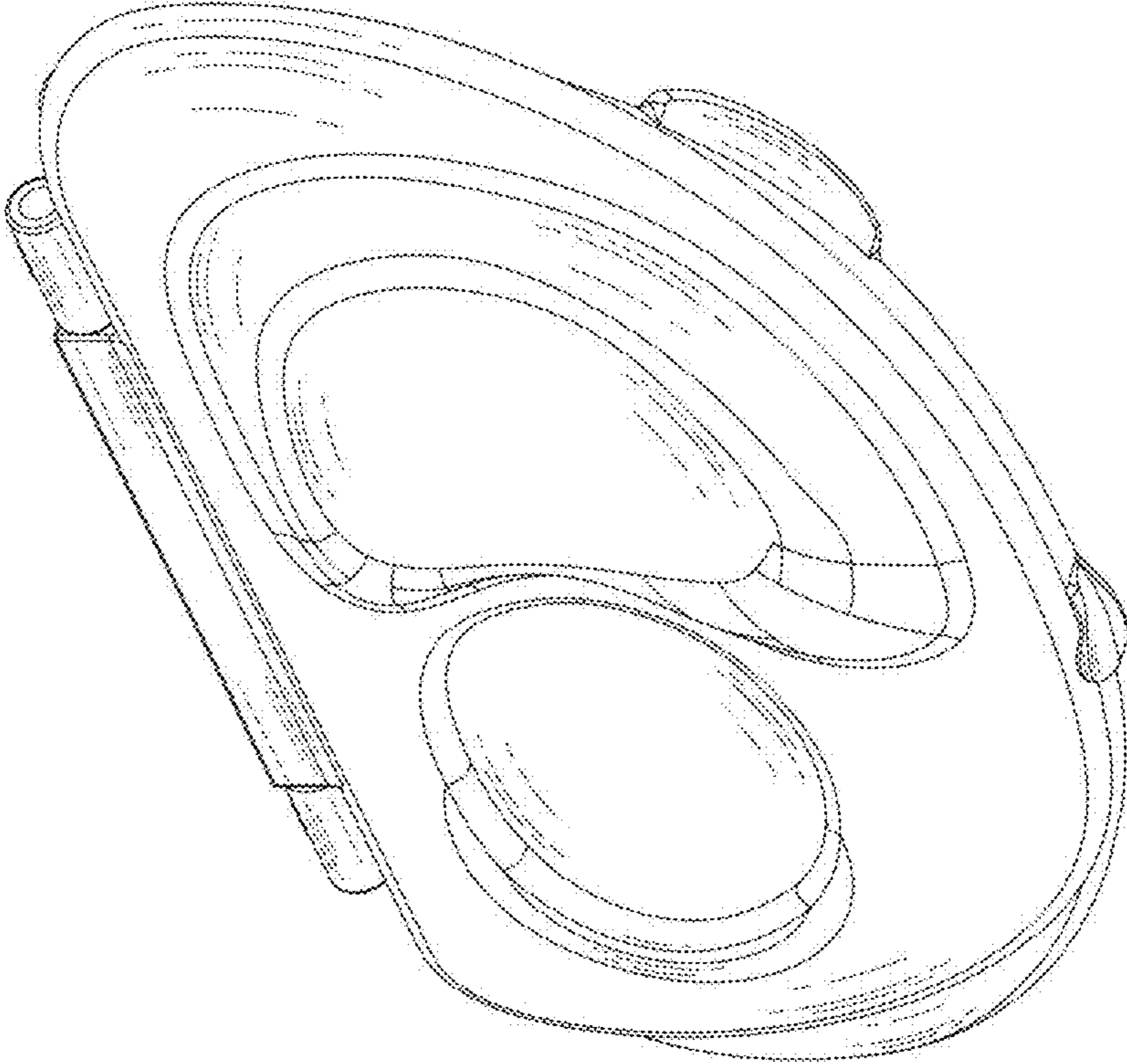


FIG. 1

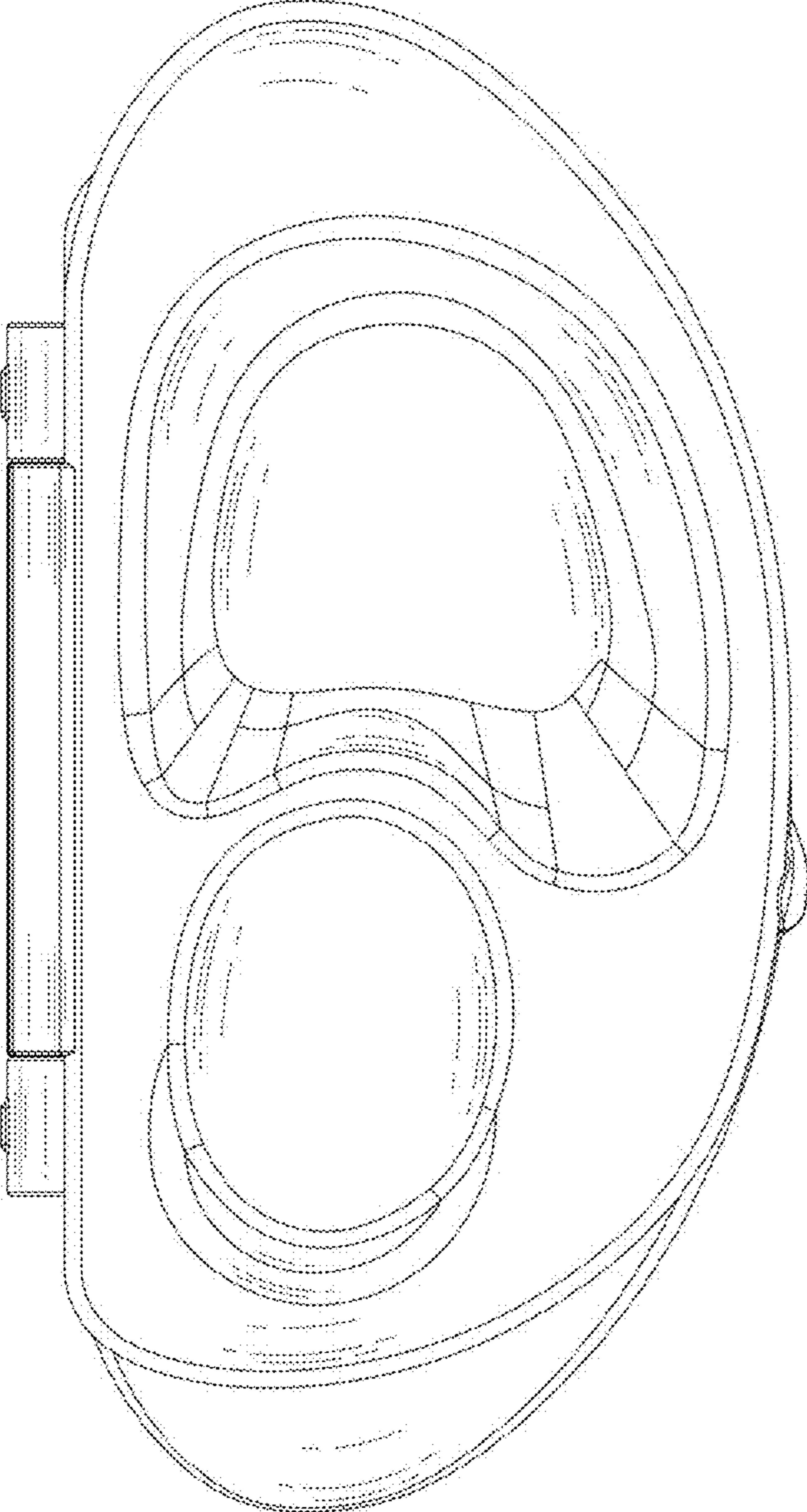


FIG. 2

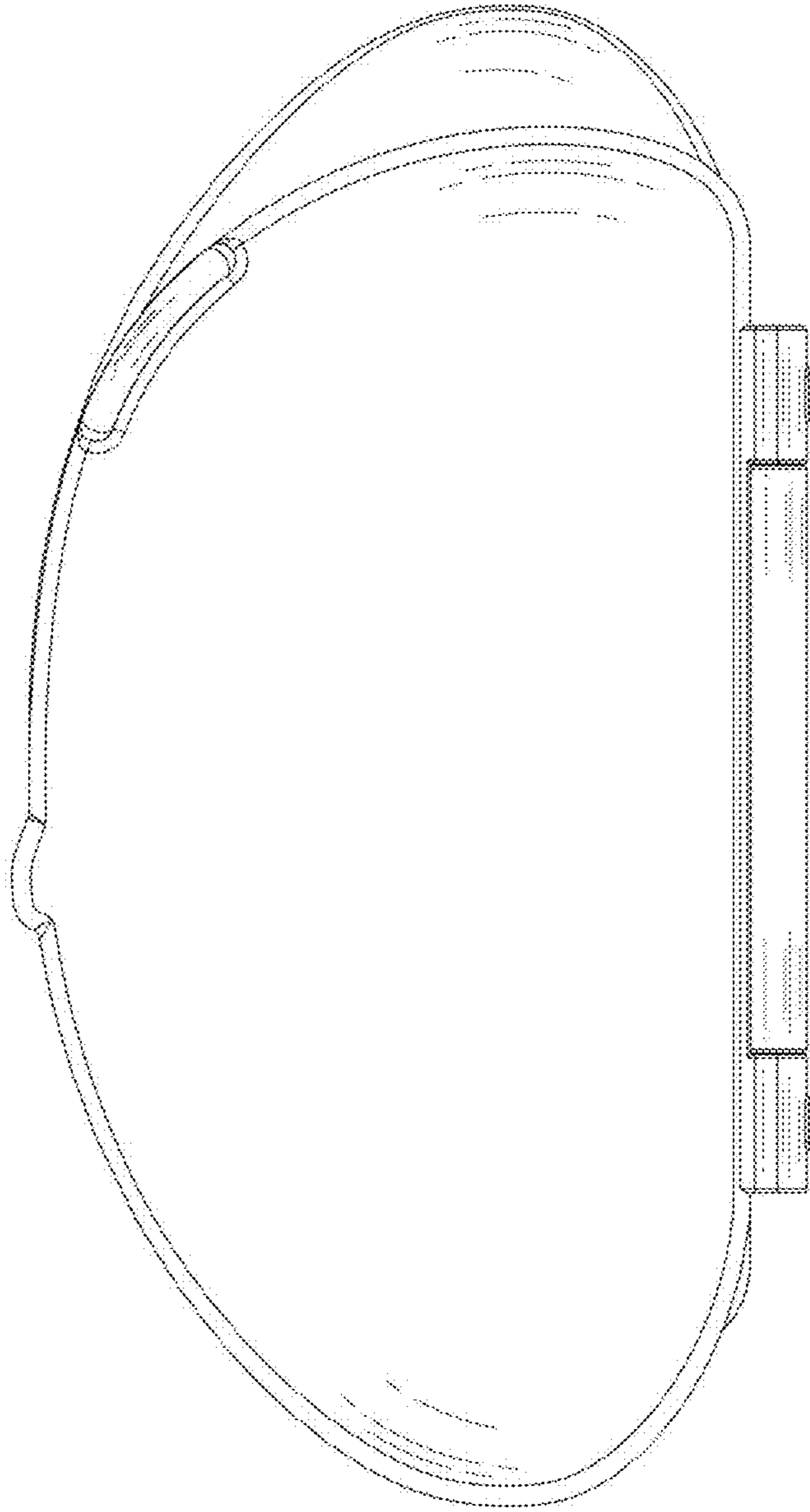


FIG. 3

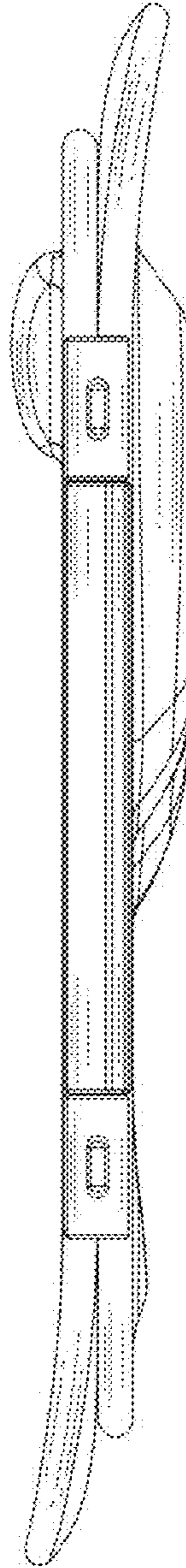


FIG. 4

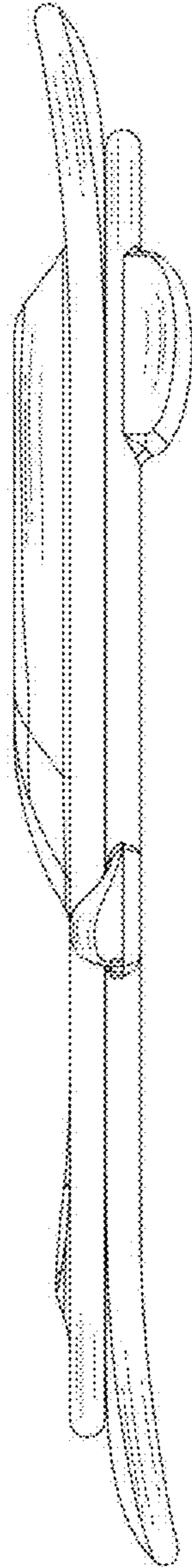


FIG. 5

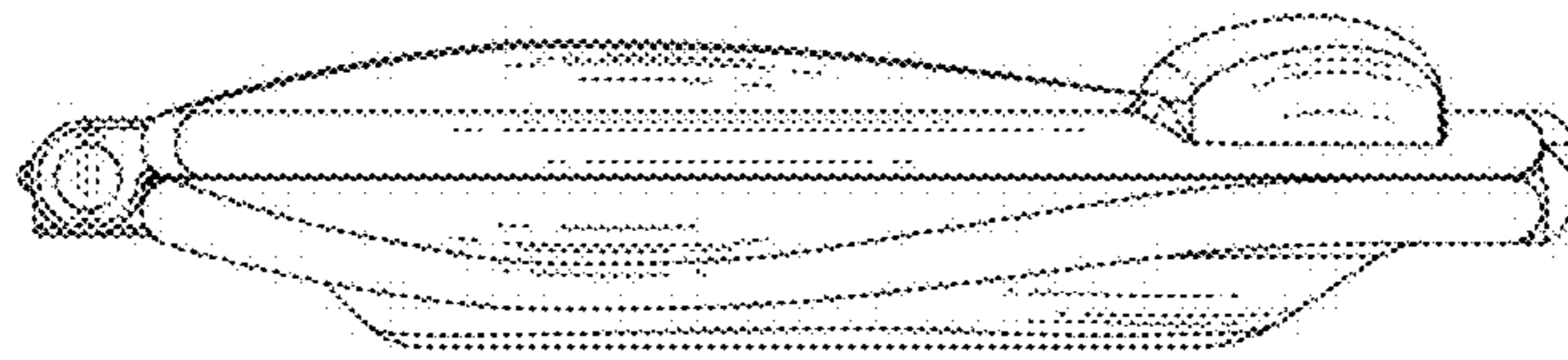


FIG. 6



FIG. 7

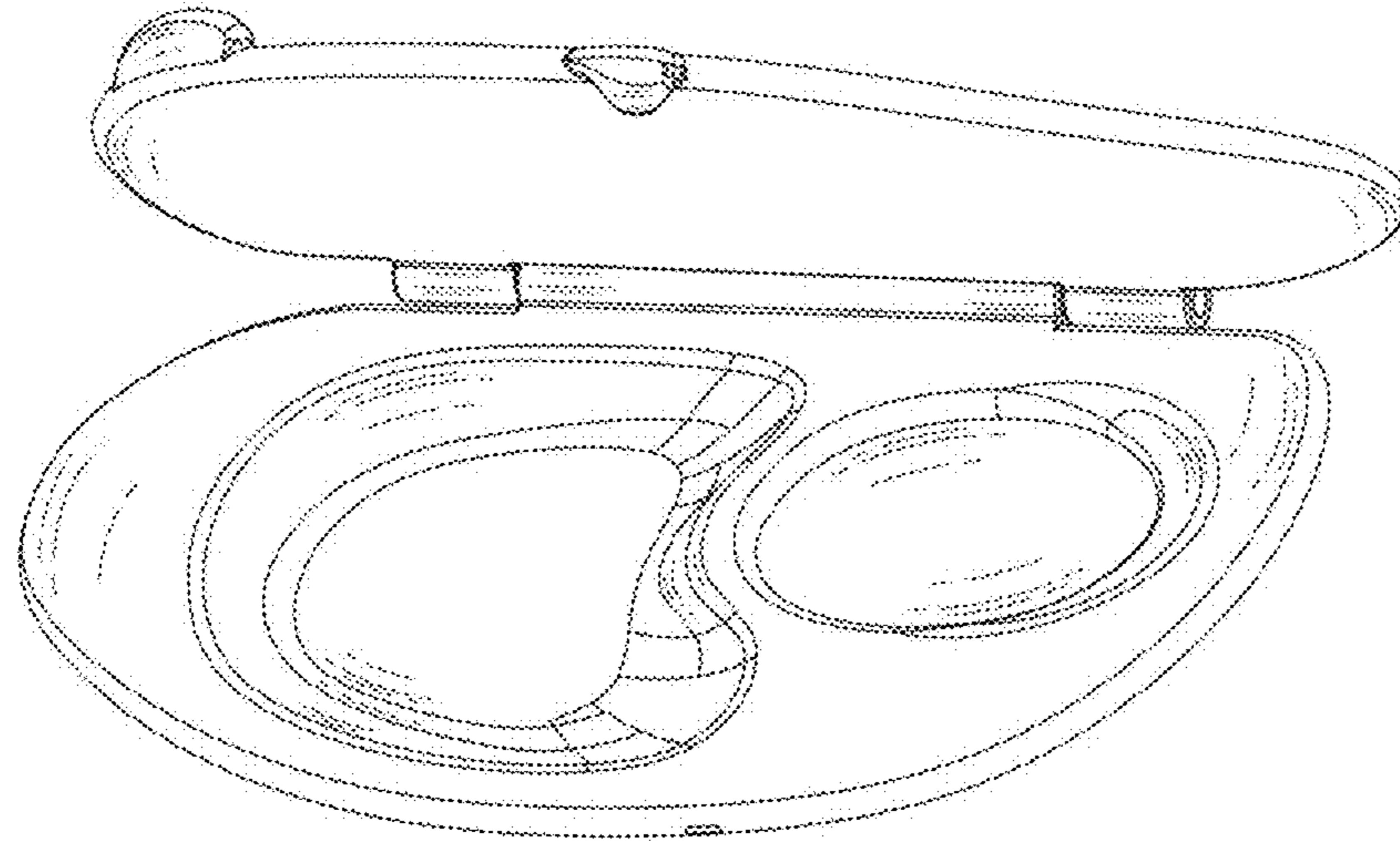


FIG. 8