



US00D988605S

(12) **United States Design Patent**
Ishida

(10) **Patent No.:** **US D988,605 S**

(45) **Date of Patent:** **** Jun. 6, 2023**

(54) **NAIL CLIPPER**

(71) Applicant: **Green Bell Co., Ltd.**, Osaka (JP)

(72) Inventor: **Itsuto Ishida**, Yodogawa-ku Osaka (JP)

(73) Assignee: **Green Bell Co., Ltd.**, Osaka (JP)

(**) Term: **15 Years**

(21) Appl. No.: **29/652,355**

(22) Filed: **Jul. 27, 2020**

(51) **LOC (14) Cl.** **28-03**

(52) **U.S. Cl.**
USPC **D28/60**

(58) **Field of Classification Search**
USPC D28/60
CPC A45D 29/023; A45D 29/02; A45D 29/00;
A45D 29/18; A45D 2029/026
See application file for complete search history.

(56) **References Cited**

U.S. PATENT DOCUMENTS

D625,884 S * 10/2010 Ashok D28/60
D629,161 S * 12/2010 Farris D28/60

D639,509 S * 6/2011 Farris D28/60
D639,510 S * 6/2011 Farris D28/60
D726,374 S * 4/2015 Kim D28/60
D848,074 S * 5/2019 Kim D28/60
D899,692 S * 10/2020 Ishida D28/60
D914,292 S * 3/2021 Dalton D28/60
2020/0315315 A1 * 10/2020 Paulsmeyer A45D 29/02

* cited by examiner

Primary Examiner — Jennifer Rivard

(74) *Attorney, Agent, or Firm* — Welsh Flaxman & Gitler LLC

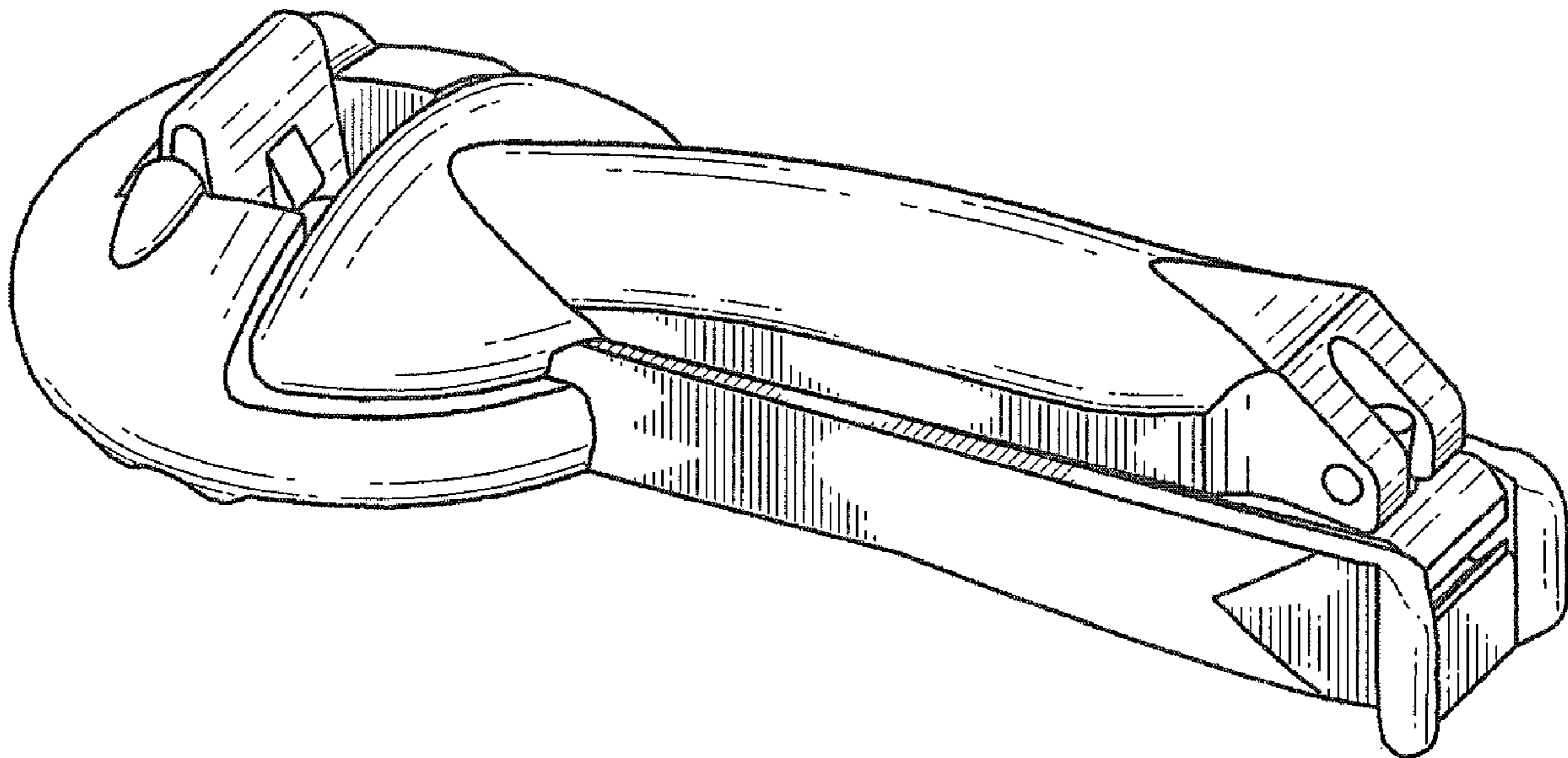
(57) **CLAIM**

The ornamental design for a nail clipper, as shown and described.

DESCRIPTION

FIG. 1 is a right side elevation view of the nail clipper; FIG. 2 is a left side elevation view of the nail clipper; FIG. 3 is a front elevation view of the nail clipper; FIG. 4 is a rear elevation view of the nail clipper; FIG. 5 is a top plan view of the nail clipper; FIG. 6 is a bottom plan view of the nail clipper; and, FIG. 7 is a perspective view of the nail clipper. In the drawings, the broken lines illustrate portions of the article which form no part of the claimed design.

1 Claim, 2 Drawing Sheets



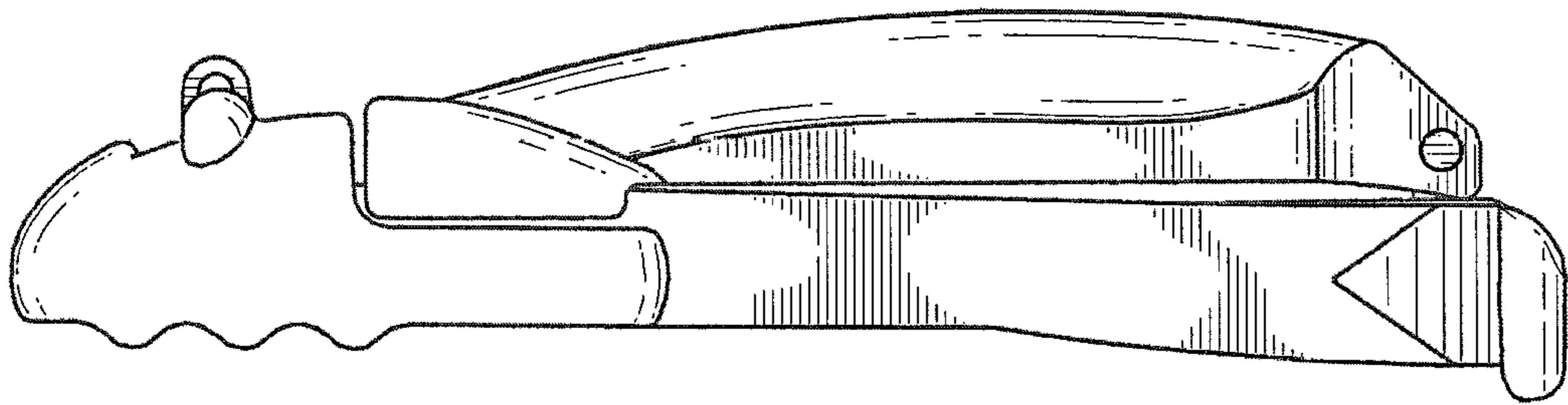


FIG. 1

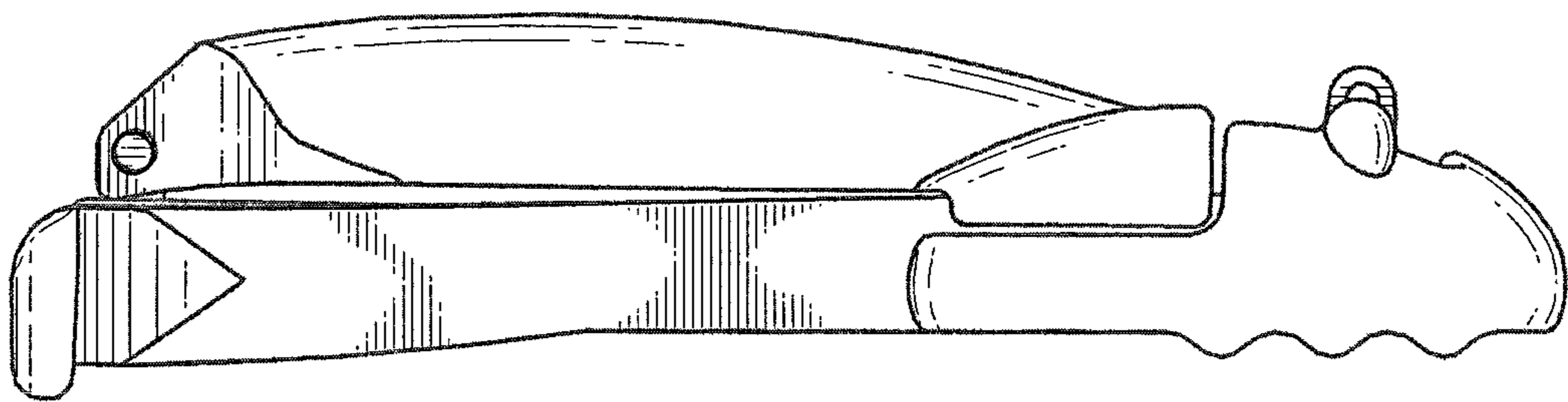


FIG. 2

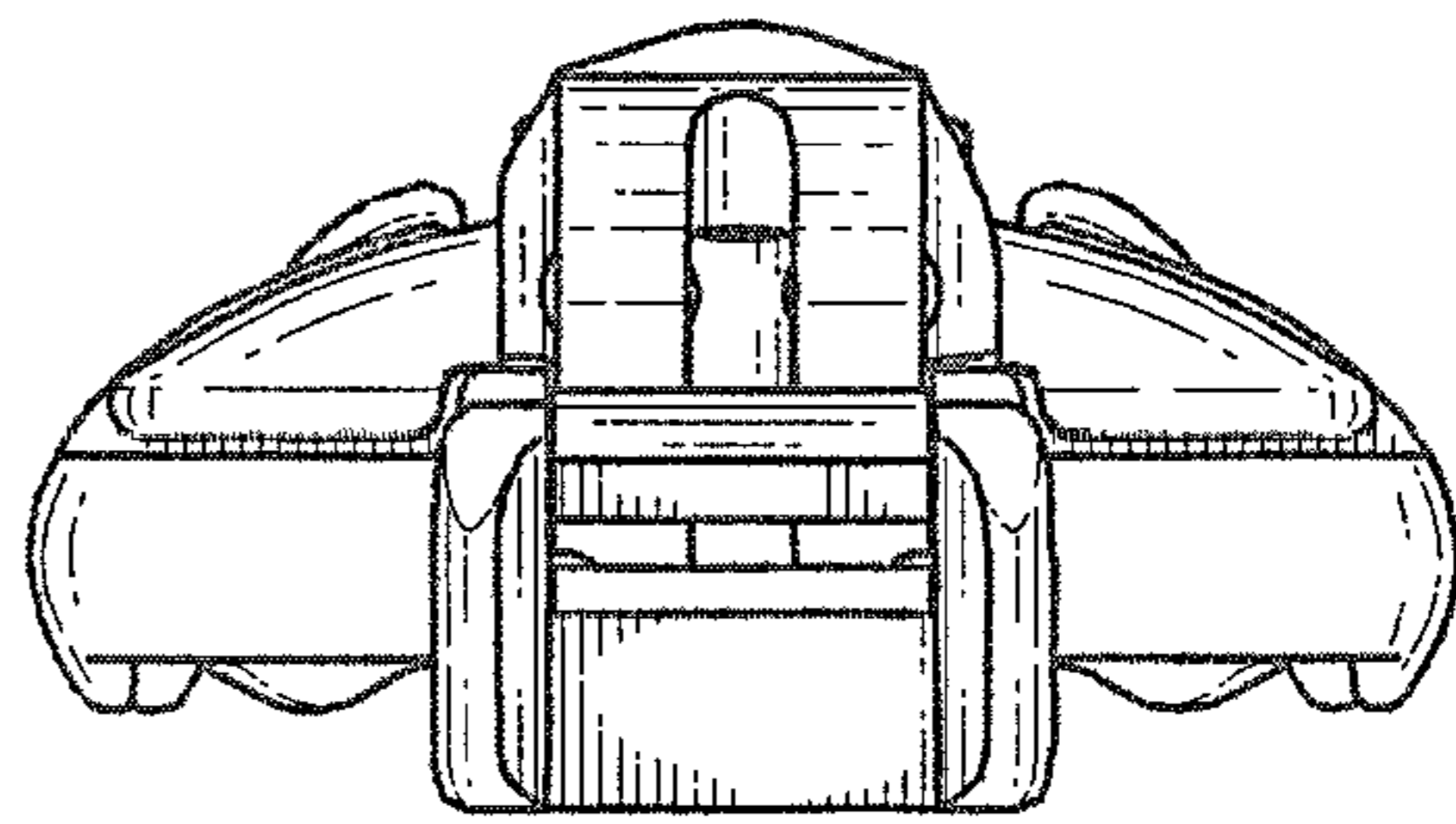


FIG. 3

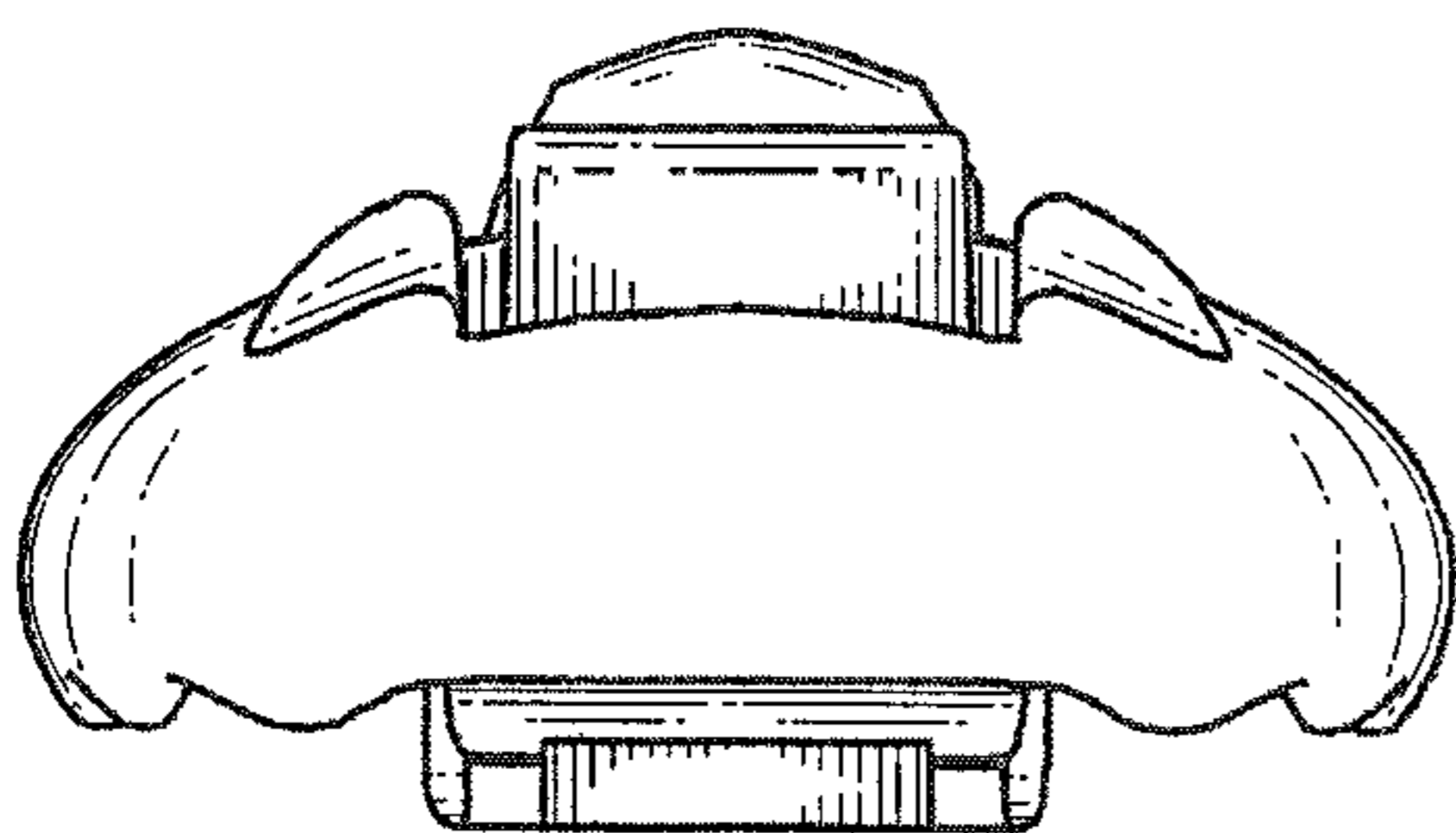


FIG. 4

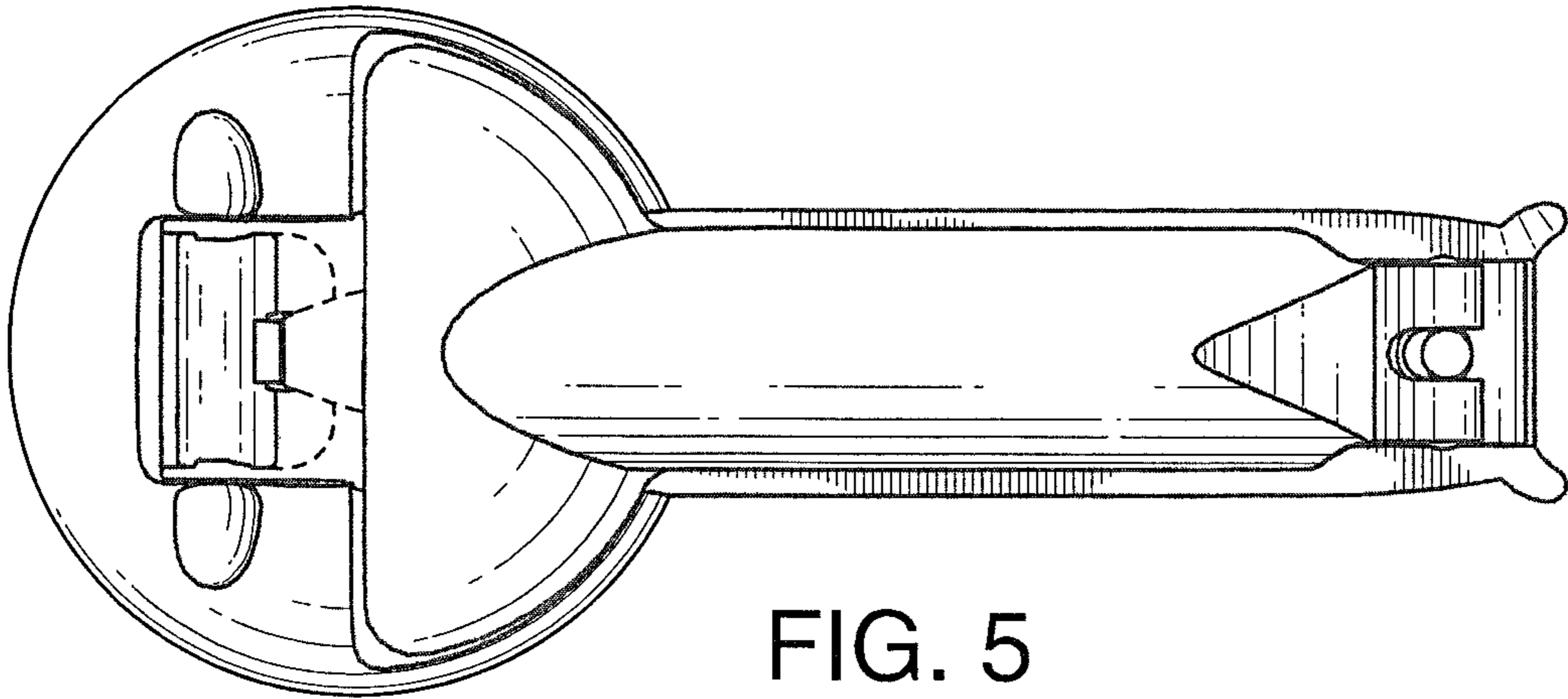


FIG. 5

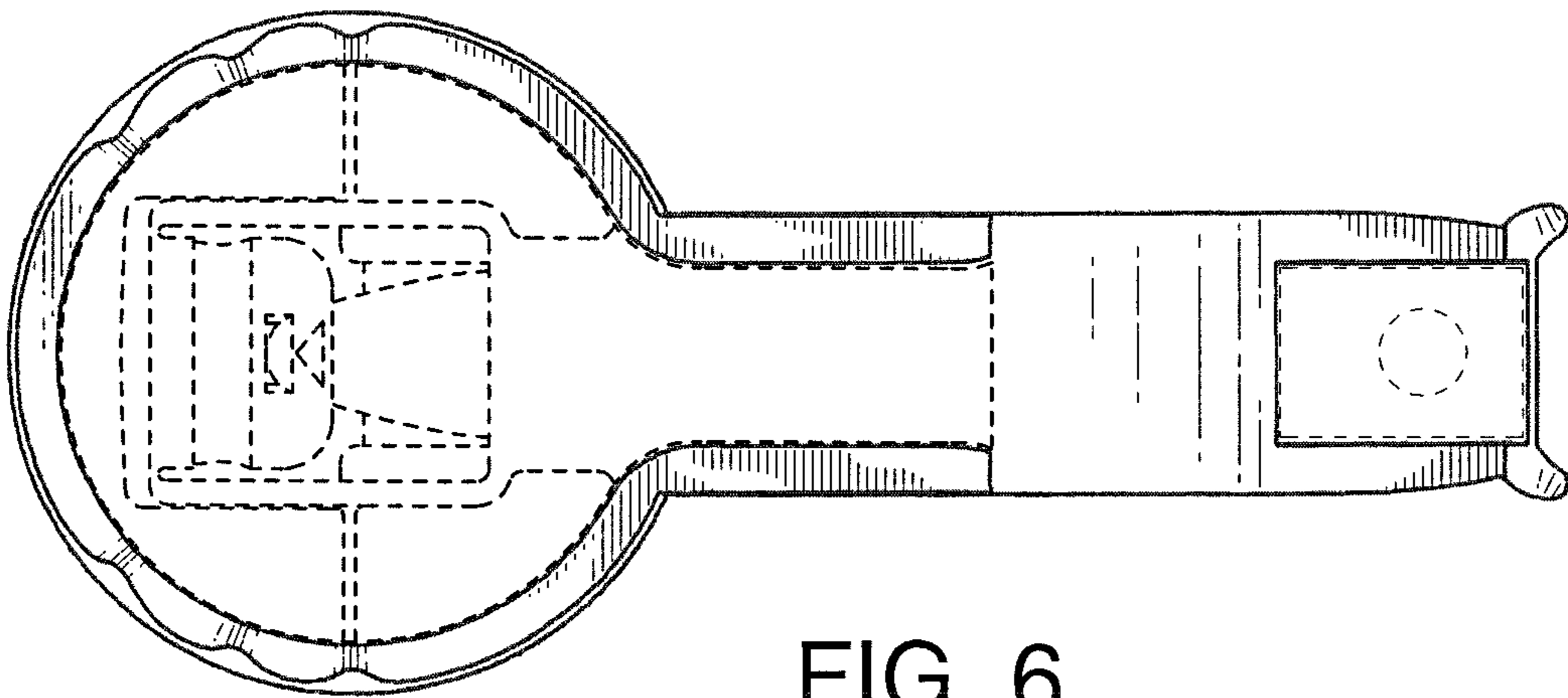


FIG. 6

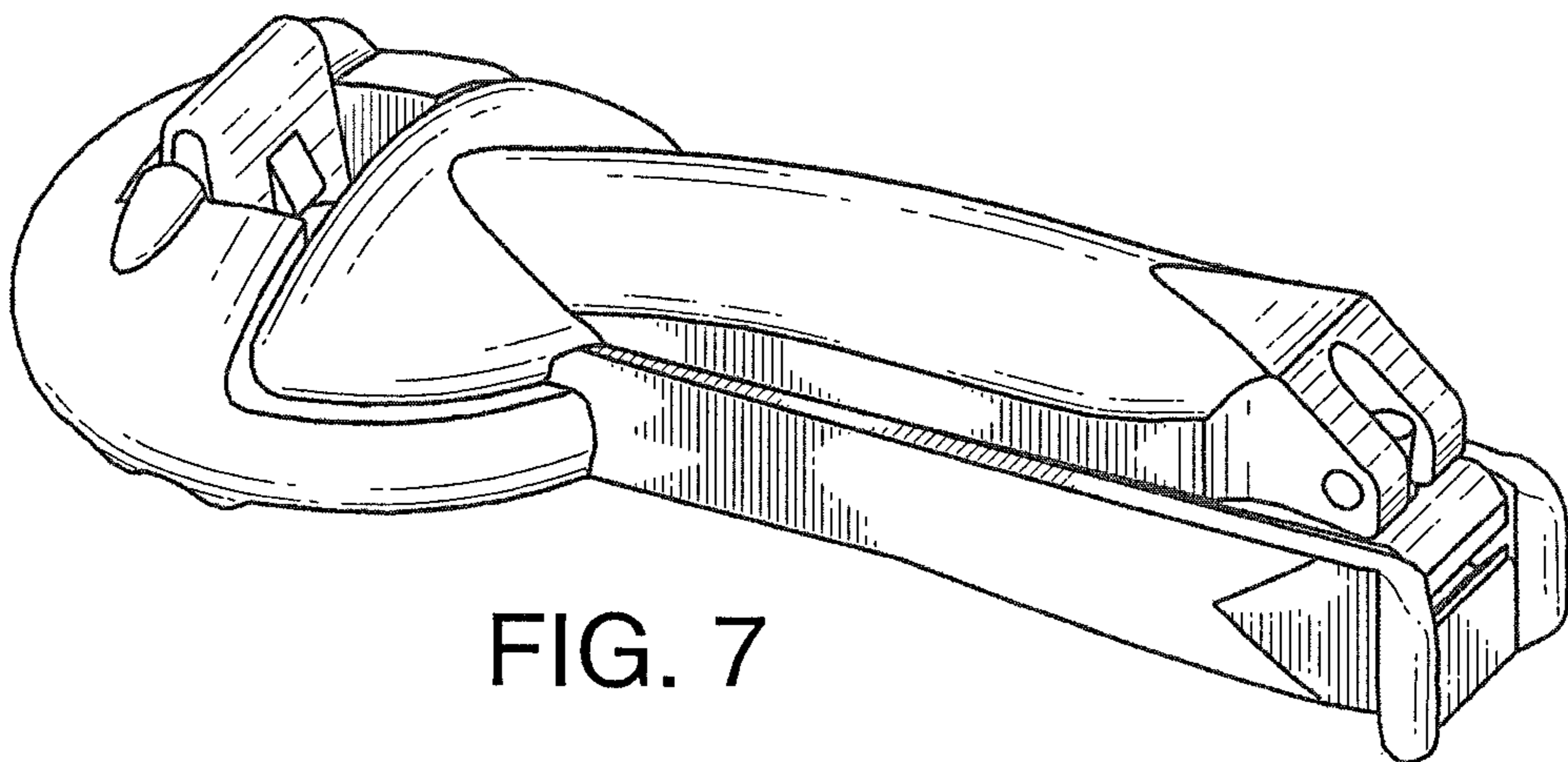


FIG. 7