



US00D988596S

(12) **United States Design Patent**  
**Colpitts et al.**

(10) **Patent No.:** **US D988,596 S**  
(45) **Date of Patent:** **\*\* Jun. 6, 2023**

(54) **HAIR DRYER**  
(71) Applicant: **CONAIR LLC**, Stamford, CT (US)  
(72) Inventors: **Dennis J. Colpitts**, Fairfield, CT (US);  
**Vito James Carlucci**, Stratford, CT (US); **Alberto Locatelli**, Bergamo (IT)

9,961,979 B2 5/2018 Rodrigues  
10,021,952 B2 7/2018 Goldman et al.  
10,064,469 B2 9/2018 Quessard et al.  
D854,243 S 7/2019 Parodi  
10,492,585 B2 12/2019 Weatherly  
10,687,597 B2 6/2020 Goldman et al.  
D909,675 S \* 2/2021 Huang ..... D28/13  
D911,603 S 2/2021 Wang  
D931,532 S \* 9/2021 de Gouzillon de Belizal .....  
D28/13  
2006/0227491 A1 10/2006 Rosati et al.  
2007/0047930 A1 \* 3/2007 Cafaro ..... A45D 20/12  
34/96  
2008/0235980 A1 10/2008 Chasen et al.  
2015/0201730 A1 7/2015 Carlucci et al.

(73) Assignee: **Conair LLC**, Stamford, CT (US)  
(\*\*) Term: **15 Years**

(21) Appl. No.: **29/799,438**

(22) Filed: **Jul. 14, 2021**

(51) **LOC (14) Cl.** ..... **28-03**

(52) **U.S. Cl.**  
USPC ..... **D28/13**

(58) **Field of Classification Search**  
USPC ..... D28/12-19; D8/29.1  
CPC ..... A45D 20/00; A45D 20/04; A45D 20/08;  
A45D 20/10; A45D 20/12; A45D  
2020/128

See application file for complete search history.

(56) **References Cited**

**U.S. PATENT DOCUMENTS**

4,711,988 A 12/1987 Thaler et al.  
4,972,065 A 11/1990 Ohlsen  
5,344,314 A 9/1994 Zagoroff et al.  
6,011,903 A 1/2000 Nosenchuck  
6,671,460 B1 12/2003 Smal  
6,732,449 B2 5/2004 Evanyk  
6,766,590 B2 7/2004 Altamore et al.  
6,996,916 B2 2/2006 Cafaro  
D559,443 S \* 1/2008 Smith ..... D28/13  
D561,392 S \* 2/2008 Ceva ..... D28/13  
D629,967 S 12/2010 Mayo et al.  
8,387,271 B2 3/2013 Shami et al.  
D716,999 S 11/2014 Americano  
8,890,035 B2 11/2014 Scheunert et al.  
D726,958 S 4/2015 Spagnolo

(Continued)

*Primary Examiner* — Zenia I Bennett

(74) *Attorney, Agent, or Firm* — Ruggiero McAllister & McMahon LLC

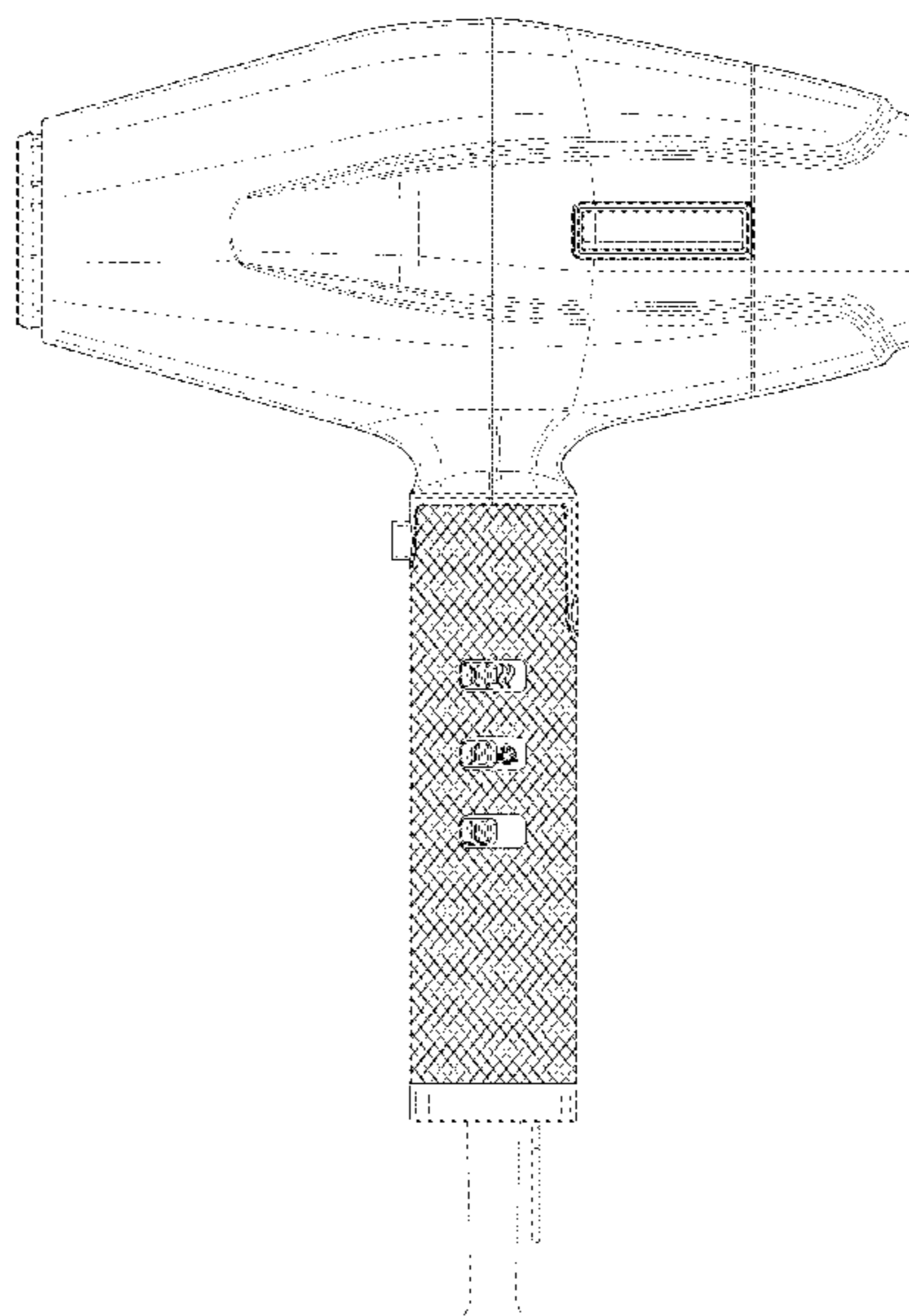
(57) **CLAIM**

The ornamental design for a hair dryer, as shown and described.

**DESCRIPTION**

FIG. 1 is a front perspective view of an ornamental design for a hair dryer according to the present invention; FIG. 2 is a front elevational view of the hair dryer of FIG. 1; FIG. 3 is a rear elevational view of the hair dryer of FIG. 1; FIG. 4 is a left side elevational view of the hair dryer of FIG. 1; FIG. 5 is a right side elevational view of the hair dryer of FIG. 1; FIG. 6 is a top plan view of the hair dryer of FIG. 1; and, FIG. 7 is a bottom plan view of the hair dryer of FIG. 1. The broken lines shown in FIGS. 1-7 are for the purpose of illustrating environmental structure and form no part of the claimed design.

**1 Claim, 7 Drawing Sheets**



(56)

**References Cited**

U.S. PATENT DOCUMENTS

2016/0220005 A1 8/2016 Steele  
2020/0315313 A1 10/2020 Friedman et al.

\* cited by examiner

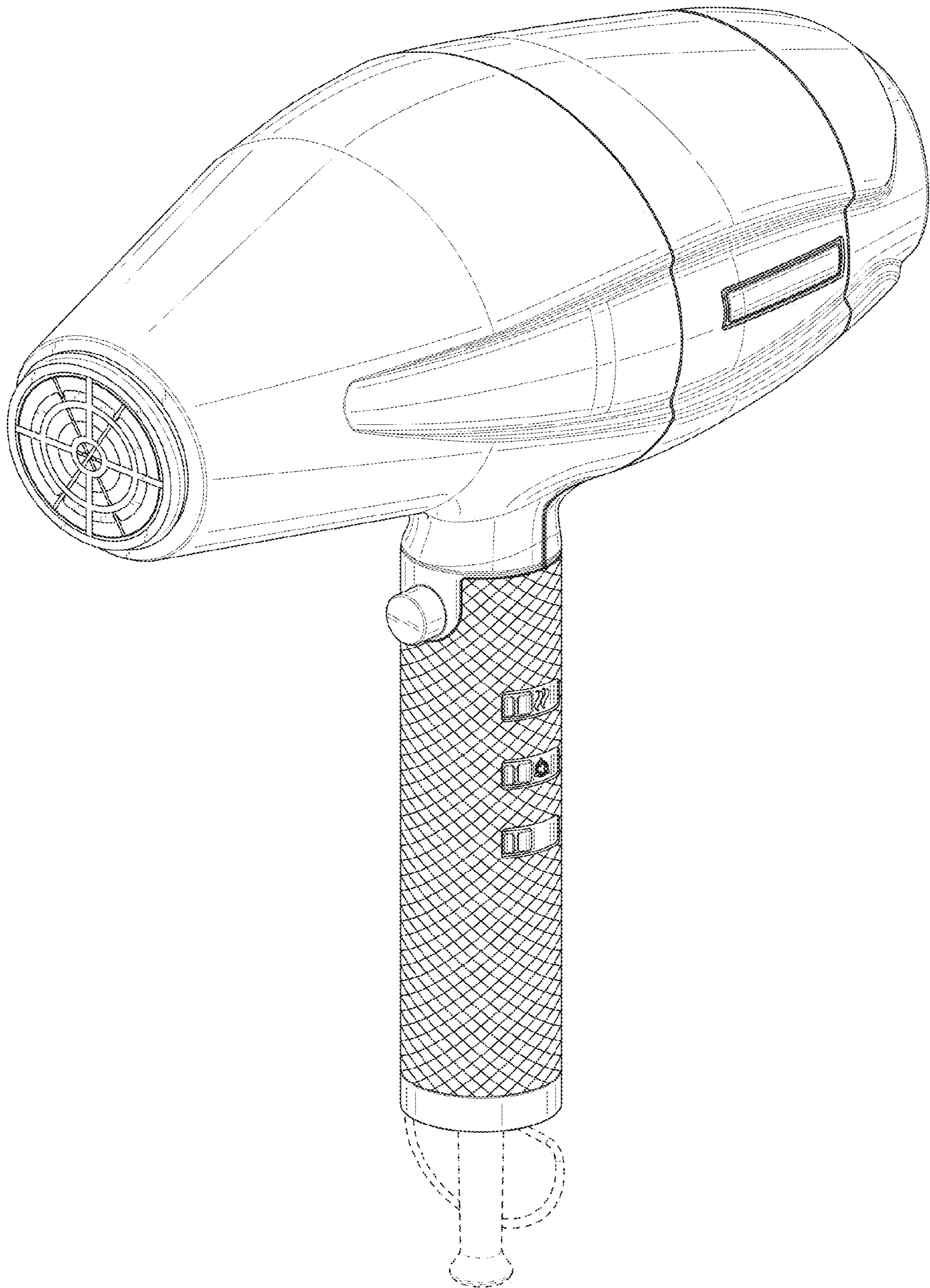


FIG. 1

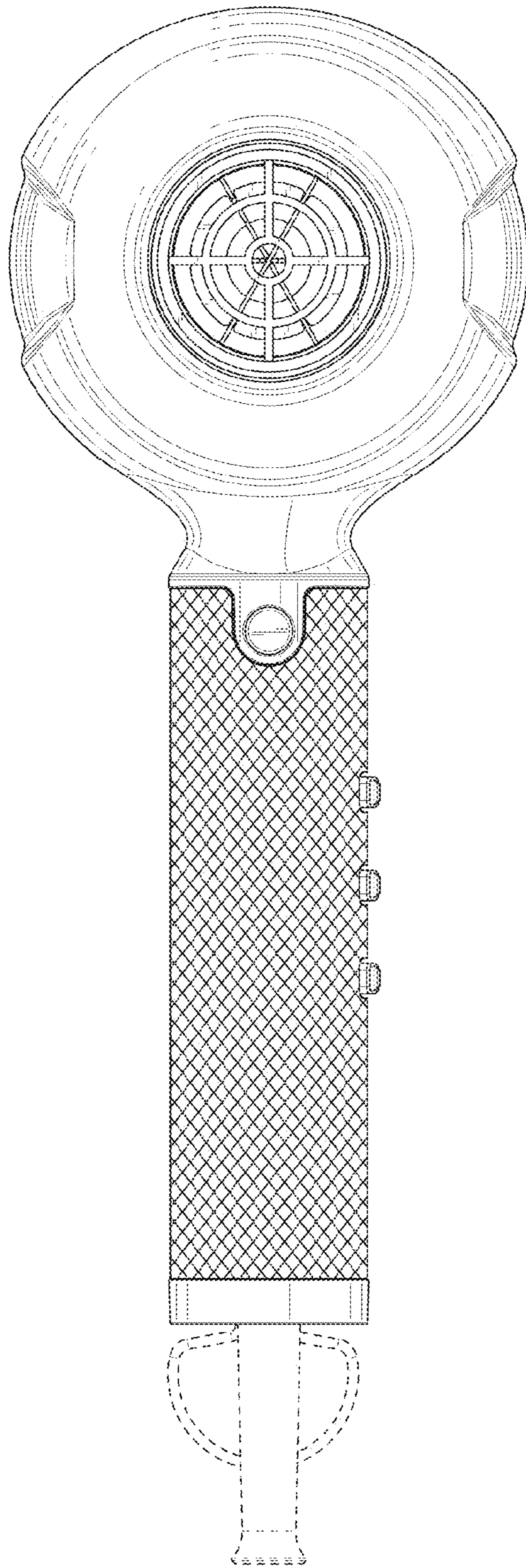


FIG. 2

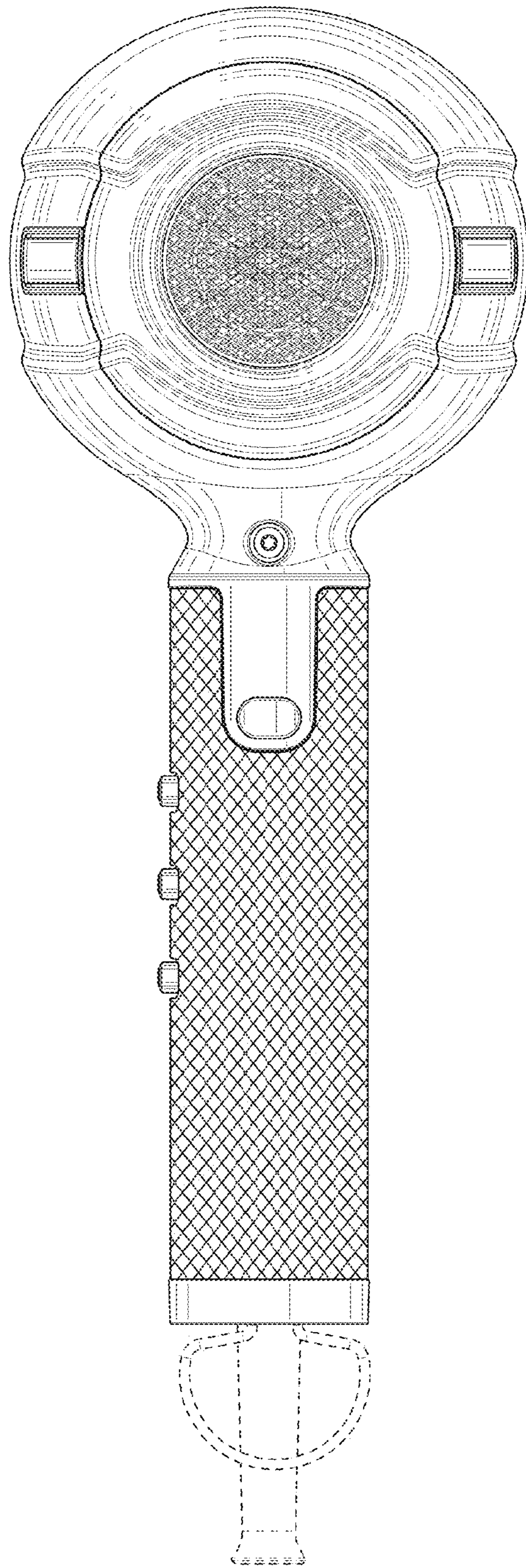


FIG. 3

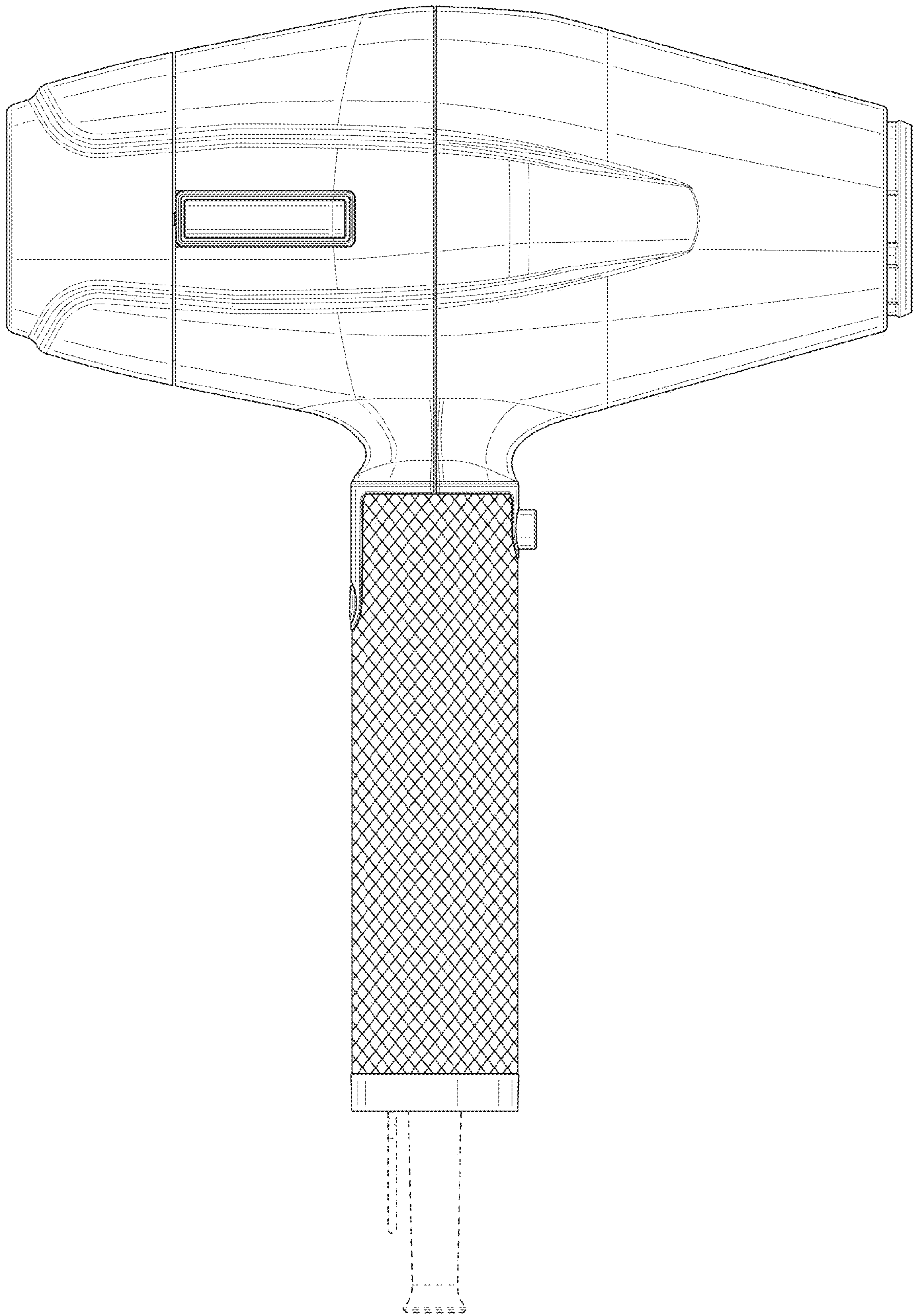


FIG. 4

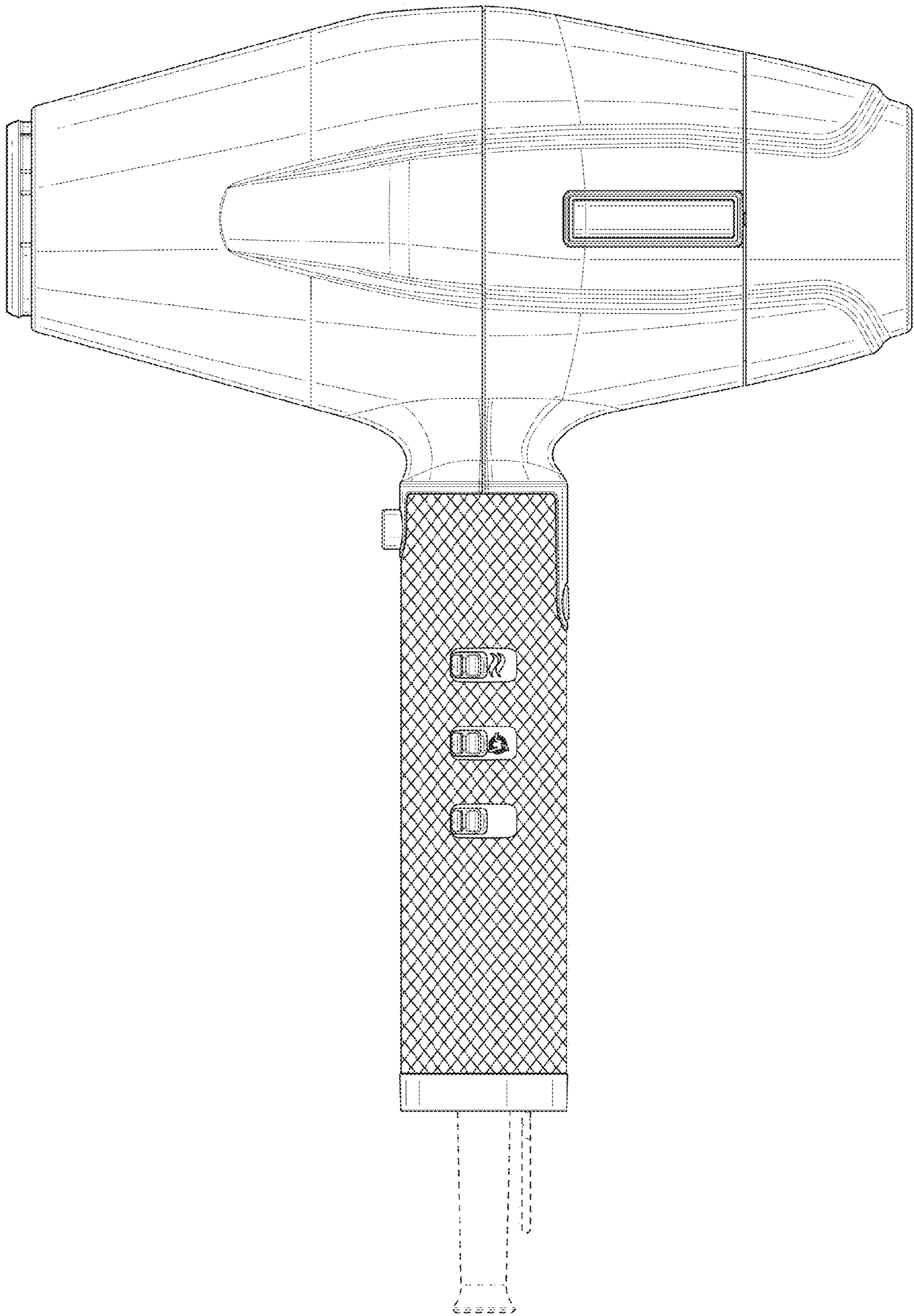


FIG. 5

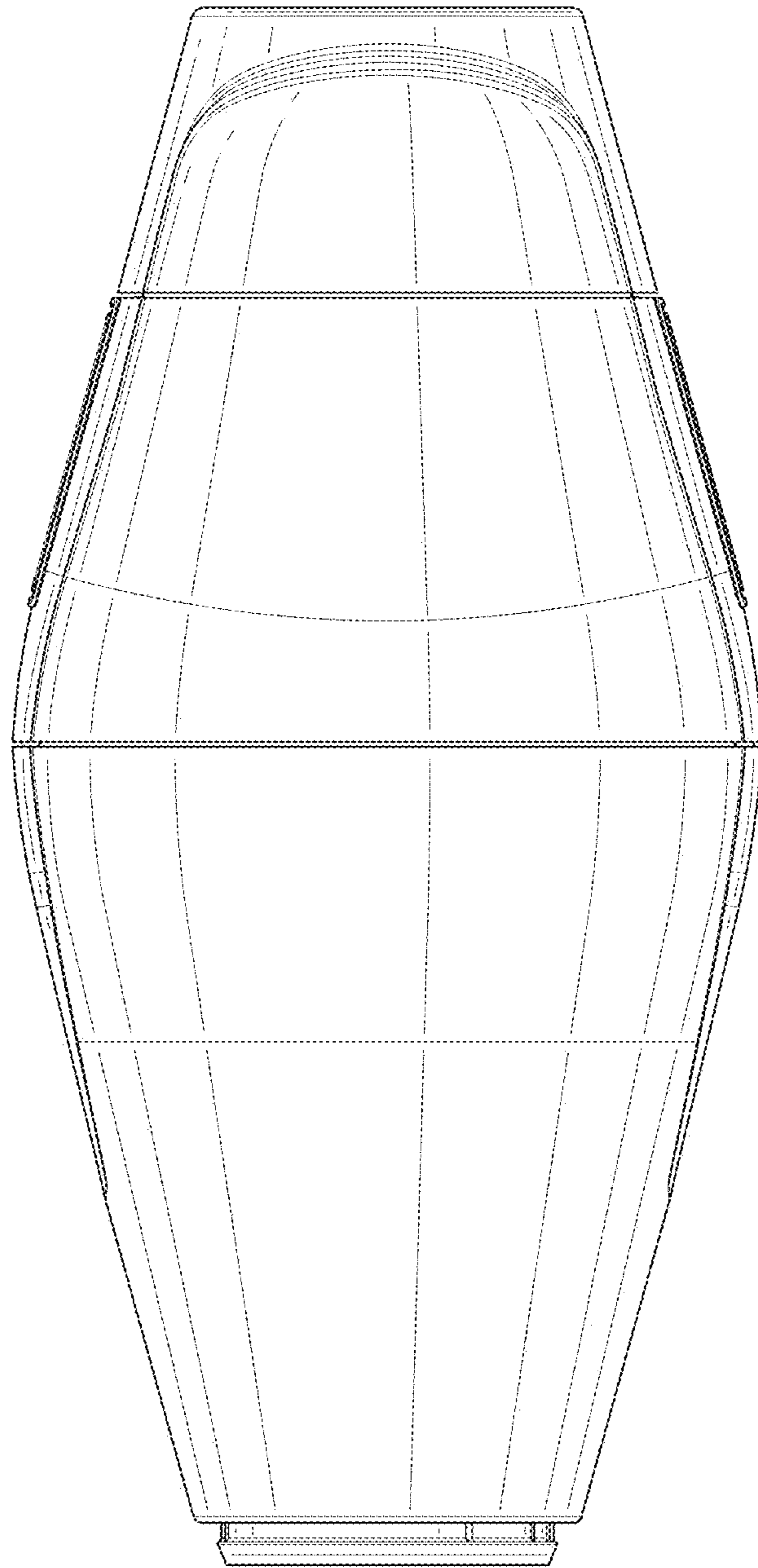


FIG. 6



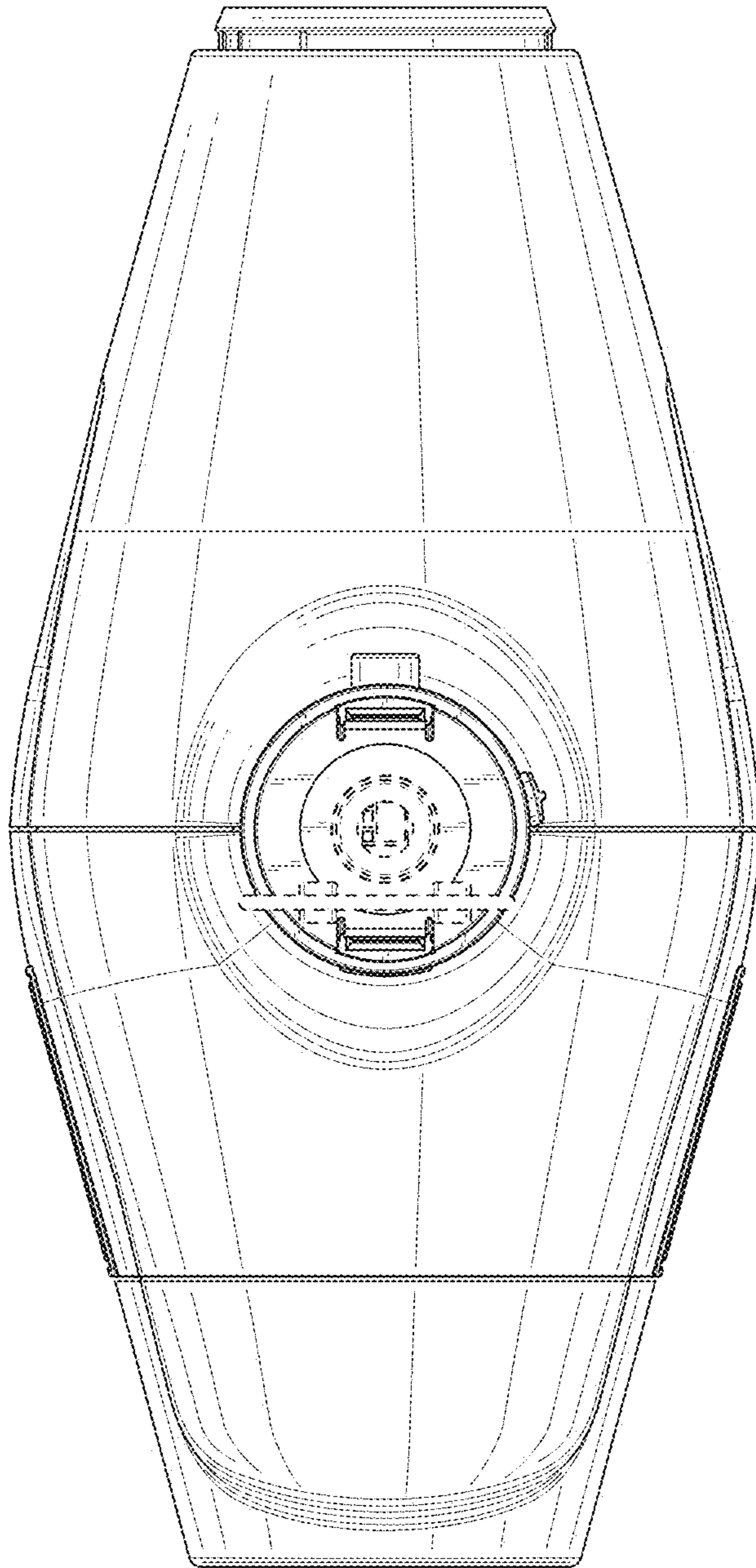


FIG. 7