



US00D988595S

(12) **United States Design Patent**  
**Xu**

(10) **Patent No.:** **US D988,595 S**  
(45) **Date of Patent:** **\*\* Jun. 6, 2023**

(54) **HAIR DRYING BONNET**

(71) Applicant: **Yonghua Xu**, Jinhua (CN)

(72) Inventor: **Yonghua Xu**, Jinhua (CN)

(\*\*) Term: **15 Years**

(21) Appl. No.: **29/783,236**

(22) Filed: **May 12, 2021**

(51) **LOC (14) Cl.** ..... **28-03**

(52) **U.S. Cl.**  
USPC ..... **D28/19**

(58) **Field of Classification Search**  
USPC ..... D28/12-19; D8/29.1  
CPC ..... A45D 20/00; A45D 20/04; A45D 20/08;  
A45D 20/10; A45D 20/12; A45D  
2020/128

See application file for complete search history.

(56) **References Cited**

**U.S. PATENT DOCUMENTS**

- 2,782,527 A \* 2/1957 Schweitzer ..... A45D 20/18  
D28/12
- 3,418,726 A \* 12/1968 Sparks ..... A45D 20/18  
34/99
- D223,067 S \* 3/1972 Steinkamp ..... D28/19
- 3,727,321 A \* 4/1973 Waters ..... A45D 20/18  
34/91

- D228,697 S \* 10/1973 Hill ..... D28/12
- 3,822,483 A \* 7/1974 Hubner ..... A45D 20/24  
D28/12
- D234,677 S \* 4/1975 Huber ..... D28/12
- D427,373 S \* 6/2000 Harris ..... D28/12
- 2015/0052773 A1 \* 2/2015 Thomas ..... A45D 20/18  
34/99

\* cited by examiner

*Primary Examiner* — Zenia I Bennett  
(74) *Attorney, Agent, or Firm* — WPAT, PC

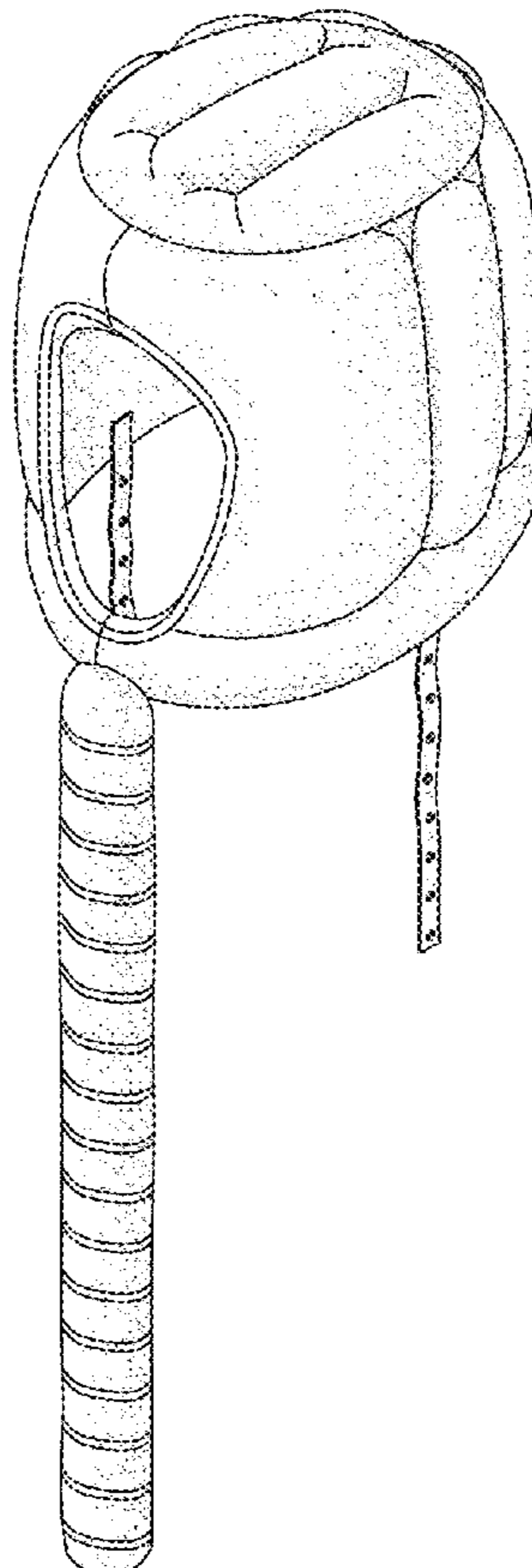
(57) **CLAIM**

The ornamental design for a hair drying bonnet, as shown and described.

**DESCRIPTION**

FIG. 1 is a perspective view of a hair drying bonnet showing the new design;  
FIG. 2 is a front view thereof;  
FIG. 3 is a rear view thereof;  
FIG. 4 is a left-side view thereof;  
FIG. 5 is a right-side view thereof;  
FIG. 6 is a top view thereof; and,  
FIG. 7 is a view of the hair drying bonnet shown in FIG. 1 when not blown up.

**1 Claim, 7 Drawing Sheets**



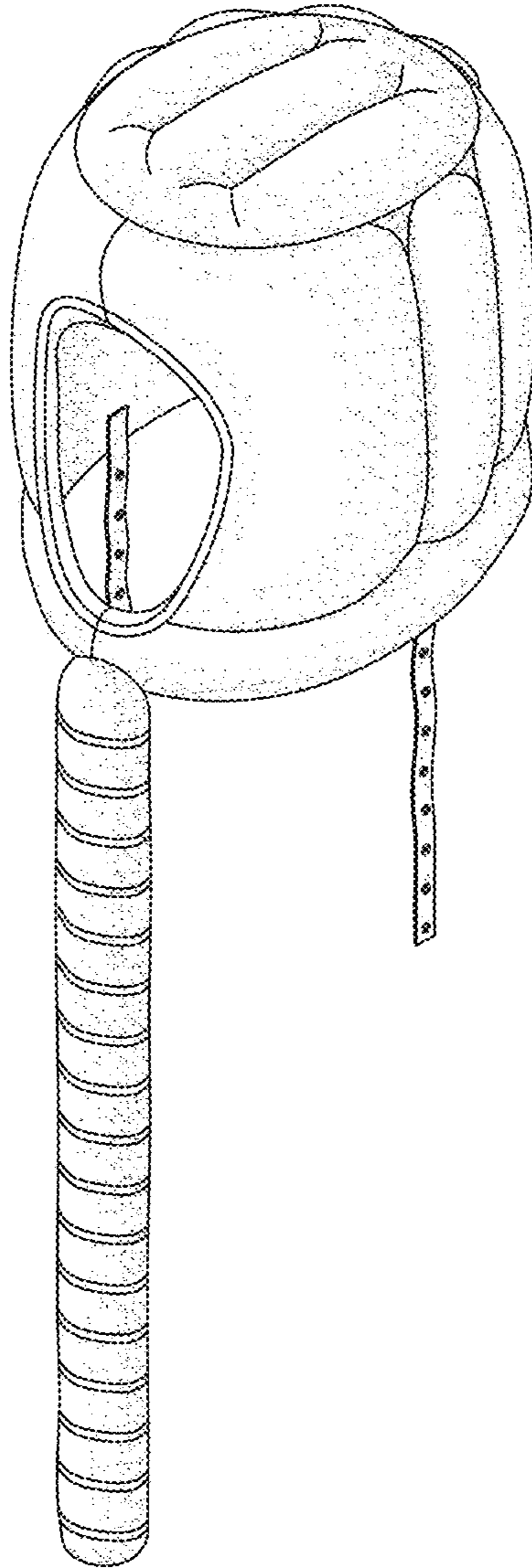


FIG. 1

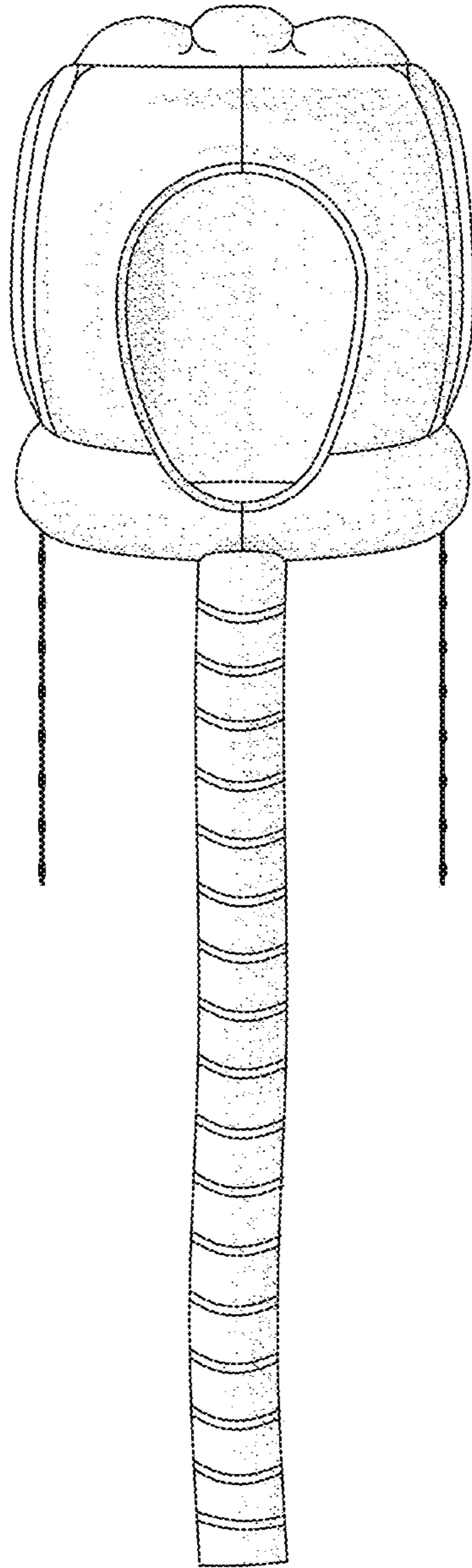


FIG. 2

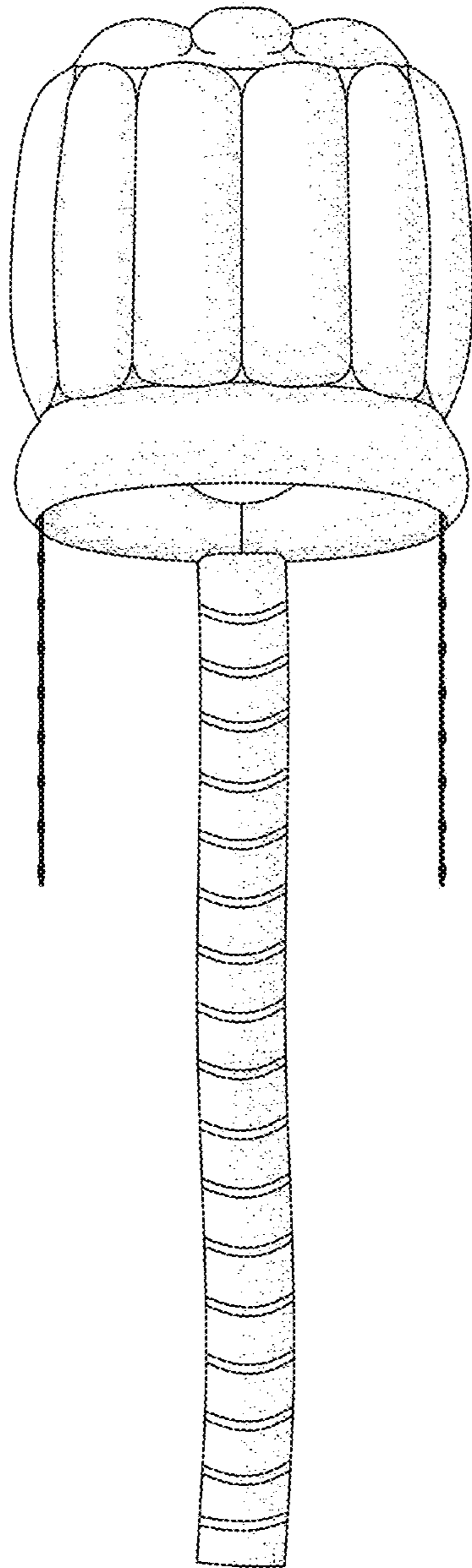


FIG. 3

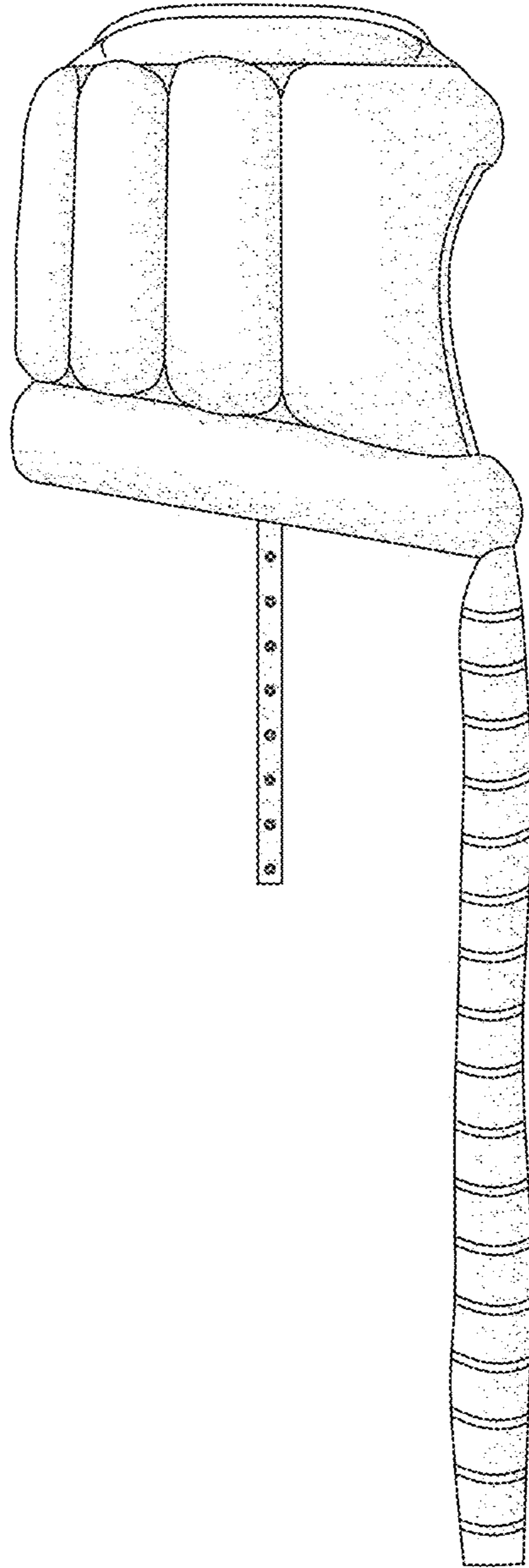


FIG. 4

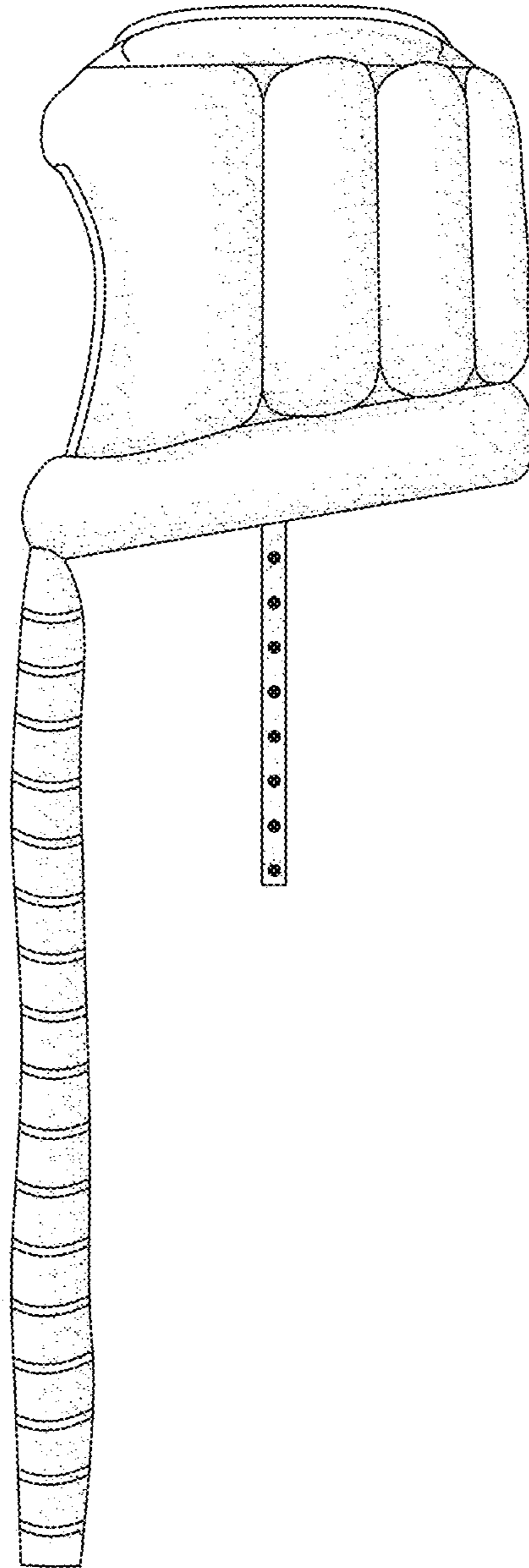


FIG. 5



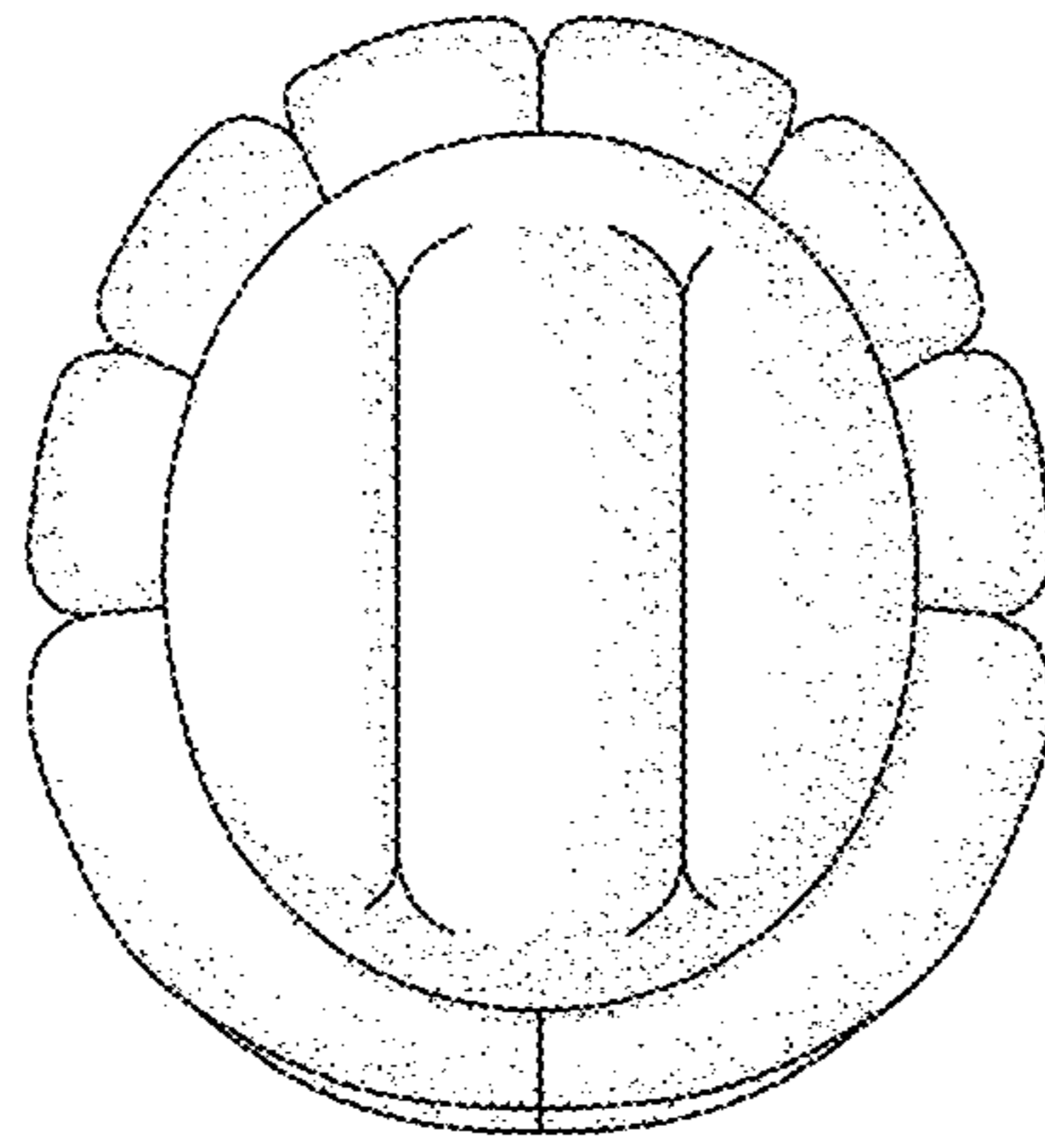


FIG. 6

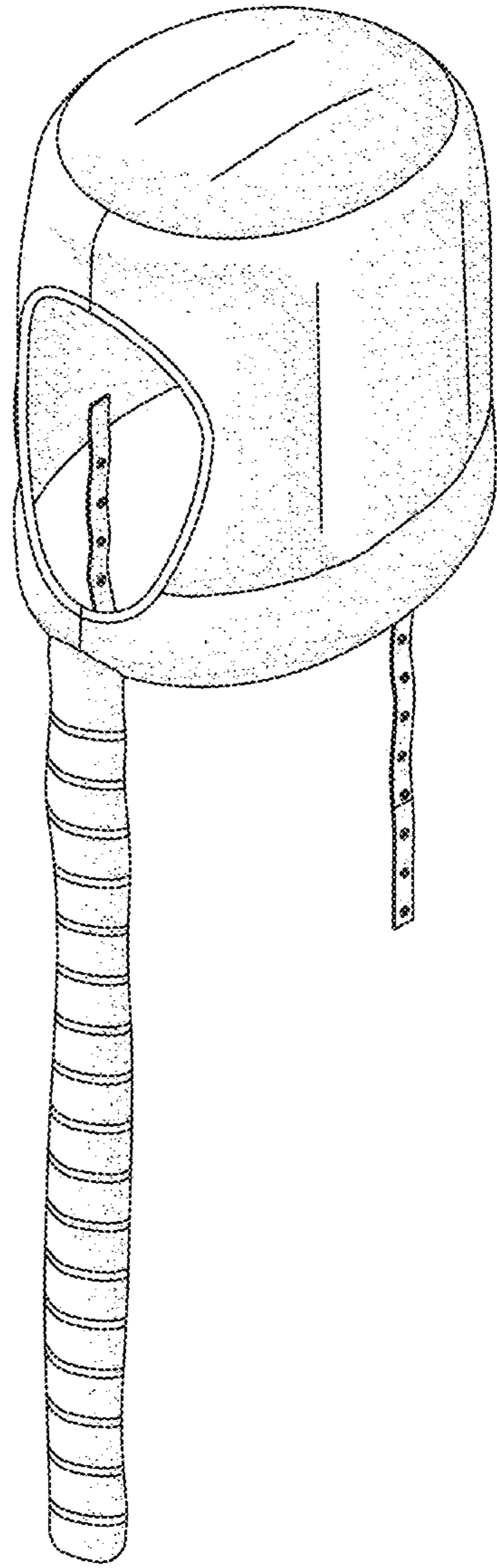


FIG. 7