



US00D988594S

(12) **United States Design Patent** (10) **Patent No.:** **US D988,594 S**  
**Pensler et al.** (45) **Date of Patent:** **\*\* Jun. 6, 2023**

(54) **MULTI-COMPARTMENT DETERGENT UNIT DOSE**

(71) Applicant: **Korex Canada Company**, Etobicoke (CA)

(72) Inventors: **Jonathan Pensler**, Grosse Pointe Park, MI (US); **Douglas Witzke**, Caledon (CA)

(73) Assignee: **KOREX CANADA COMPANY**, Ontario (CA)

(\*\*) Term: **15 Years**

(21) Appl. No.: **29/820,313**

(22) Filed: **Dec. 21, 2021**

**Related U.S. Application Data**

(62) Division of application No. 29/726,380, filed on Mar. 3, 2020, now Pat. No. Des. 942,680.

(51) **LOC (14) Cl.** ..... **28-02**

(52) **U.S. Cl.**  
USPC ..... **D28/8.1; D9/707**

(58) **Field of Classification Search**  
USPC ..... D28/8.1; D32/29.1, 35; D9/424-426, D9/430, 702-714, 730  
CPC ..... C11D 17/00; C11D 17/04; C11D 17/08; C11D 17/041-047; C11D 17/0047; C11D  
(Continued)

(56) **References Cited**

**U.S. PATENT DOCUMENTS**

D416,483 S \* 11/1999 Manley ..... D9/418  
D656,668 S 3/2012 Stone et al.  
D689,241 S 9/2013 Gerhards  
(Continued)

*Primary Examiner* — Alison M Ofstun

(74) *Attorney, Agent, or Firm* — Dinsmore & Shohl LLP

(57) **CLAIM**

The ornamental design for a multi-compartment detergent unit dose, as shown and described.

**DESCRIPTION**

FIG. 1 is a top perspective view of a first embodiment of a multi-compartment detergent unit dose showing our new design;

FIG. 2 is a top view of the design of FIG. 1;

FIG. 3 is a bottom view thereof of FIG. 1;

FIG. 4 is a front view thereof of FIG. 1;

FIG. 5 is a rear view thereof of FIG. 1;

FIG. 6 is a right side view thereof of FIG. 1; and

FIG. 7 is a left side view thereof of FIG. 1.

FIG. 8 is a top perspective view of a second embodiment of a multi-compartment detergent unit dose showing our new design;

FIG. 9 is a top view of the design of FIG. 8;

FIG. 10 is a bottom view thereof of FIG. 8;

FIG. 11 is a front view thereof of FIG. 8;

FIG. 12 is a rear view thereof of FIG. 8;

FIG. 13 is a right side view thereof of FIG. 8; and,

FIG. 14 is a left side view thereof of FIG. 8.

FIG. 15 is a top perspective view of a third embodiment of a multi-compartment detergent unit dose showing our new design;

FIG. 16 is a top view of the design of FIG. 15;

FIG. 17 is a bottom view thereof of FIG. 15;

FIG. 18 is a front view thereof of FIG. 15;

FIG. 19 is a rear view thereof of FIG. 15;

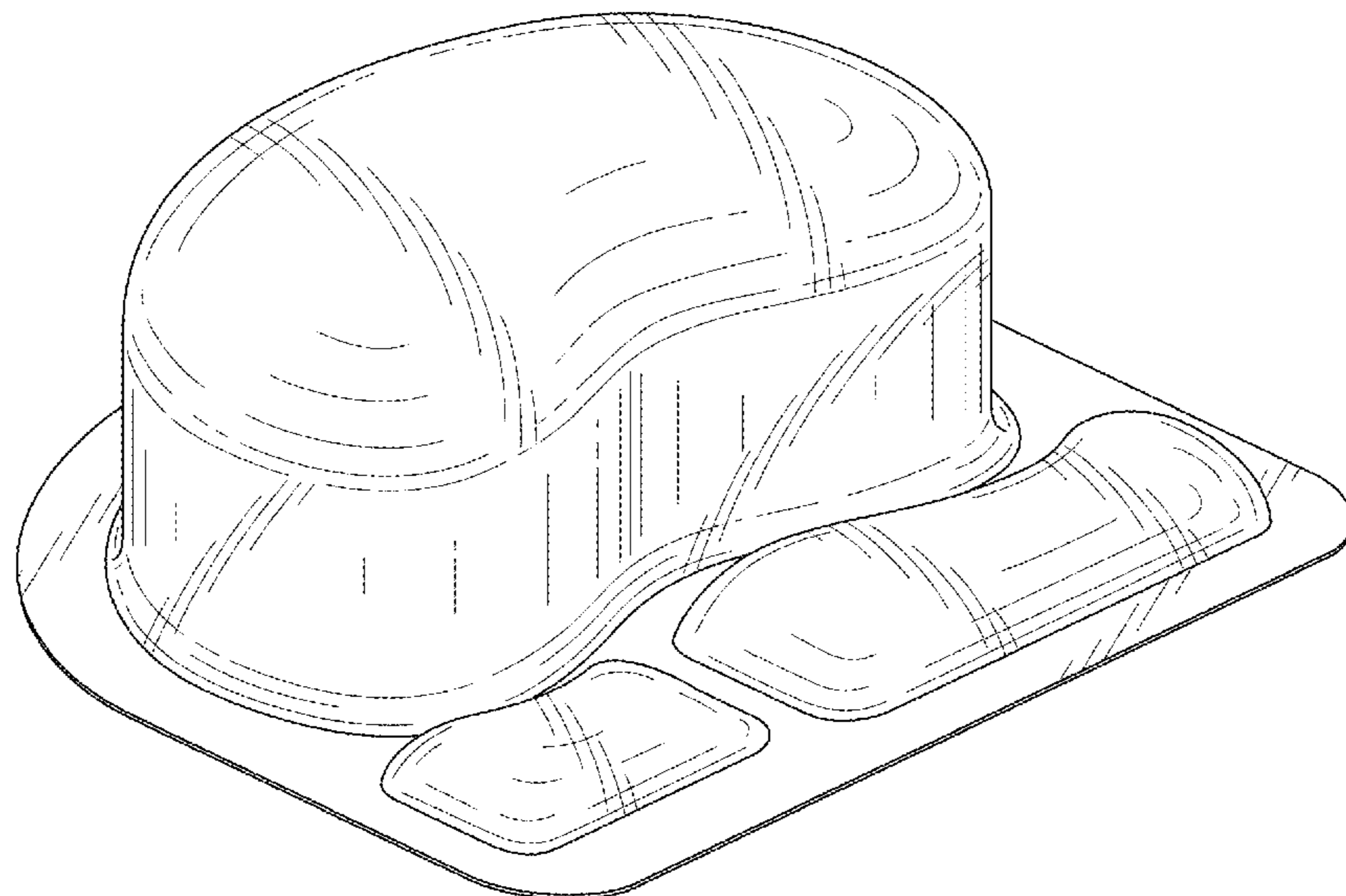
FIG. 20 is a right side view thereof of FIG. 15; and,

FIG. 21 is a left side view thereof of FIG. 15.

In FIGS. 8 through 21, the evenly-spaced broken lines in the drawings are included for the purpose of illustrating environmental structure and form no part of the claimed design.

In FIGS. 15 through 21, the grey scale shading represents a contrast in appearance.

**1 Claim, 15 Drawing Sheets**





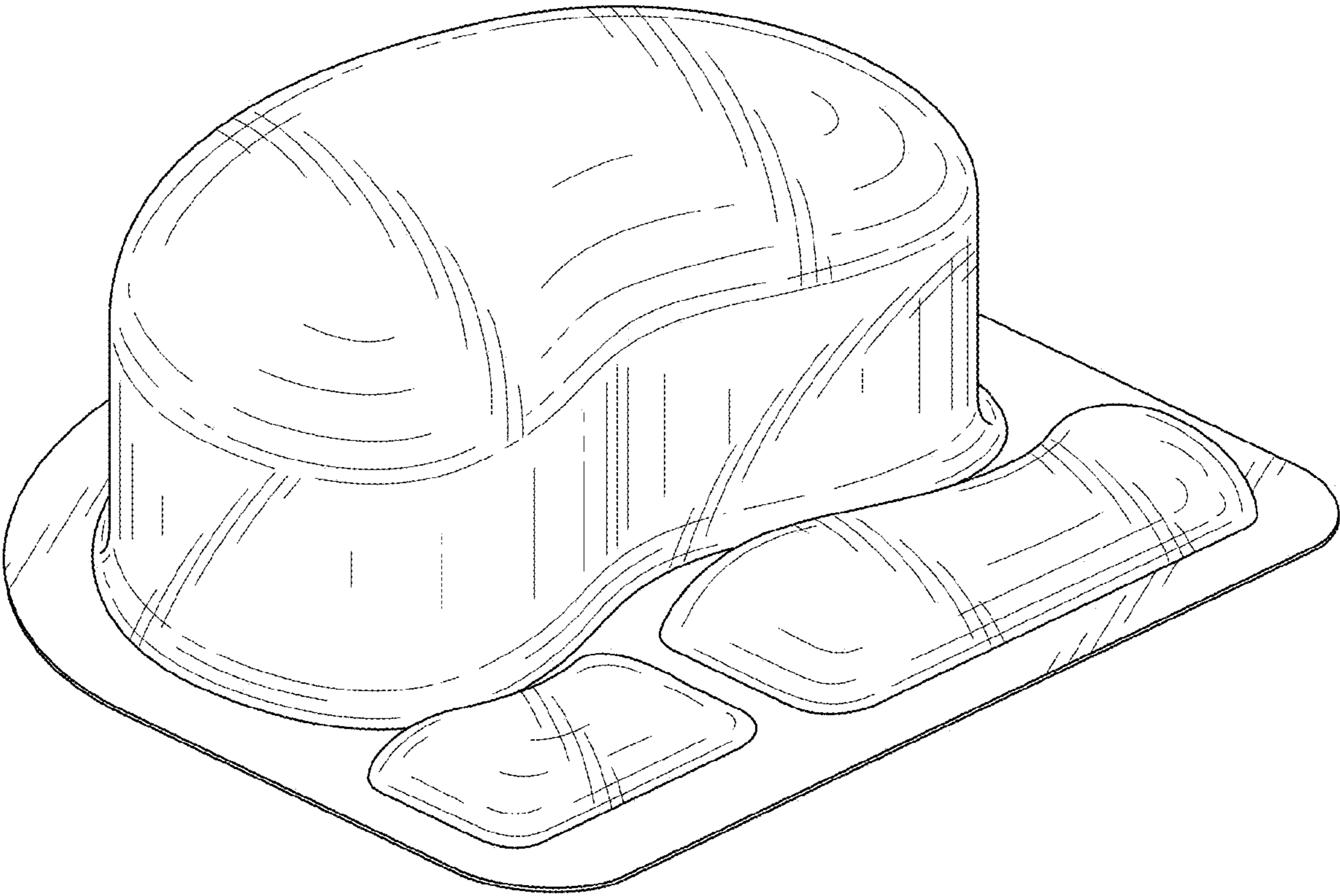


FIG. 1

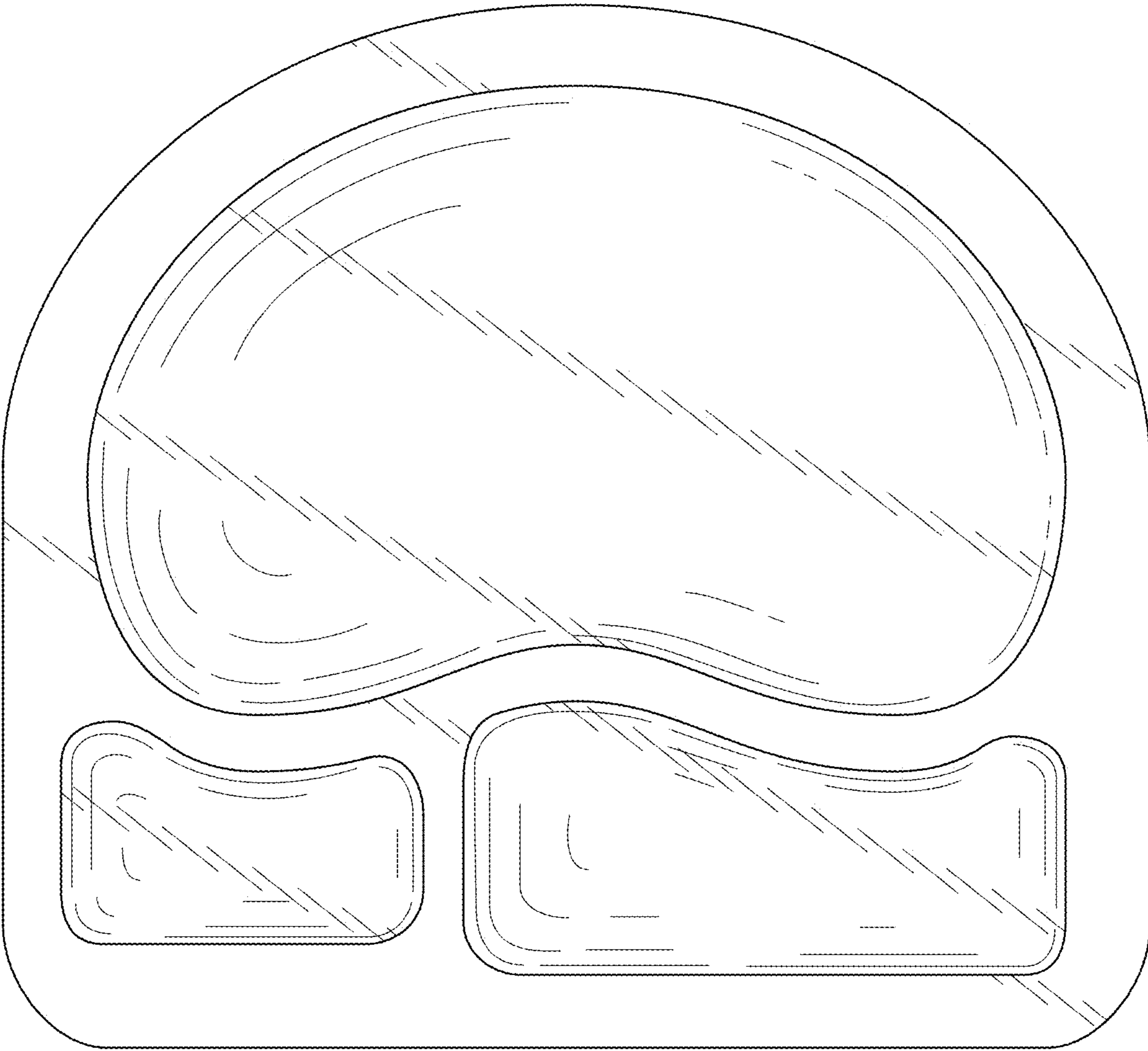


FIG. 2



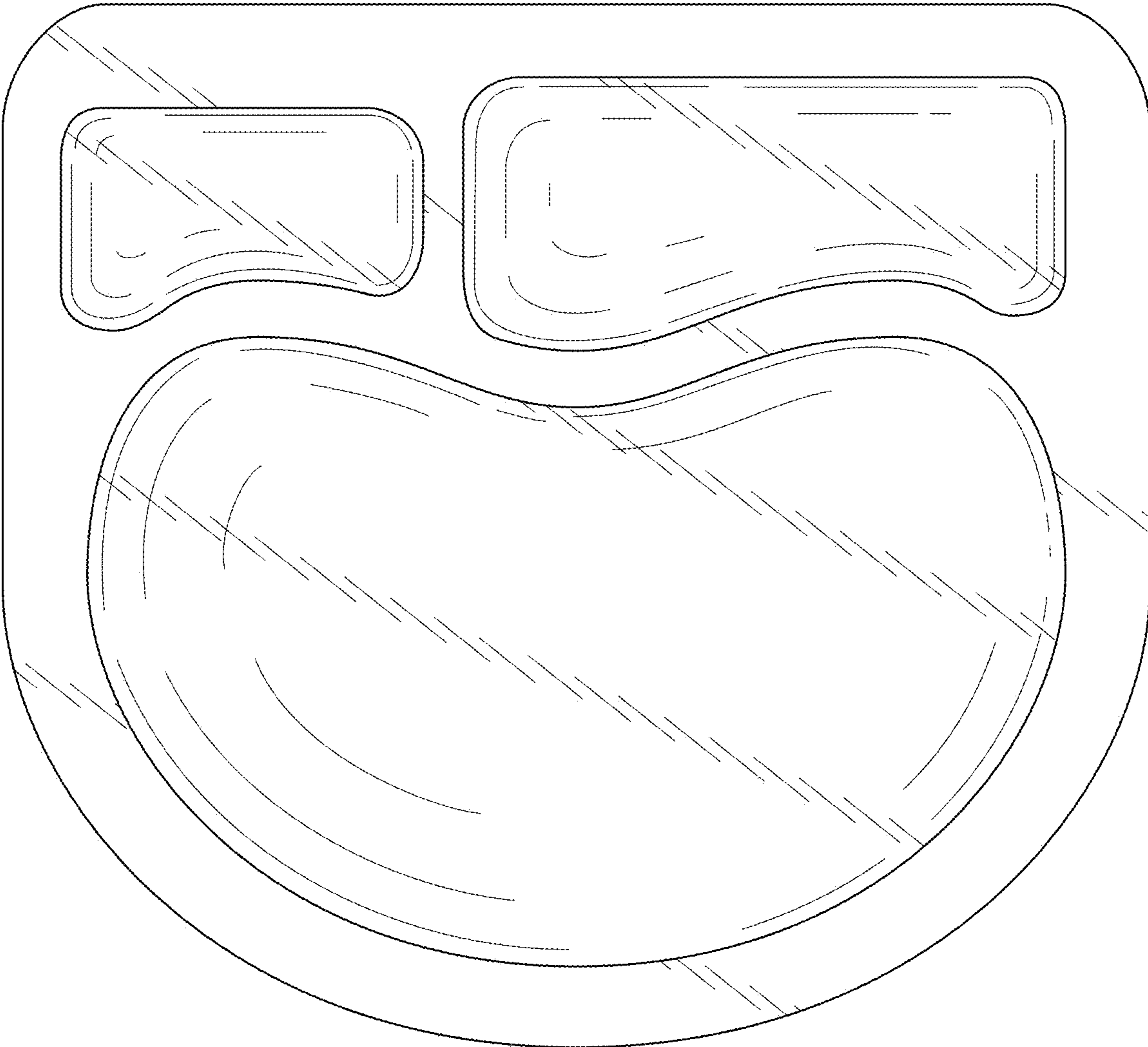


FIG. 3

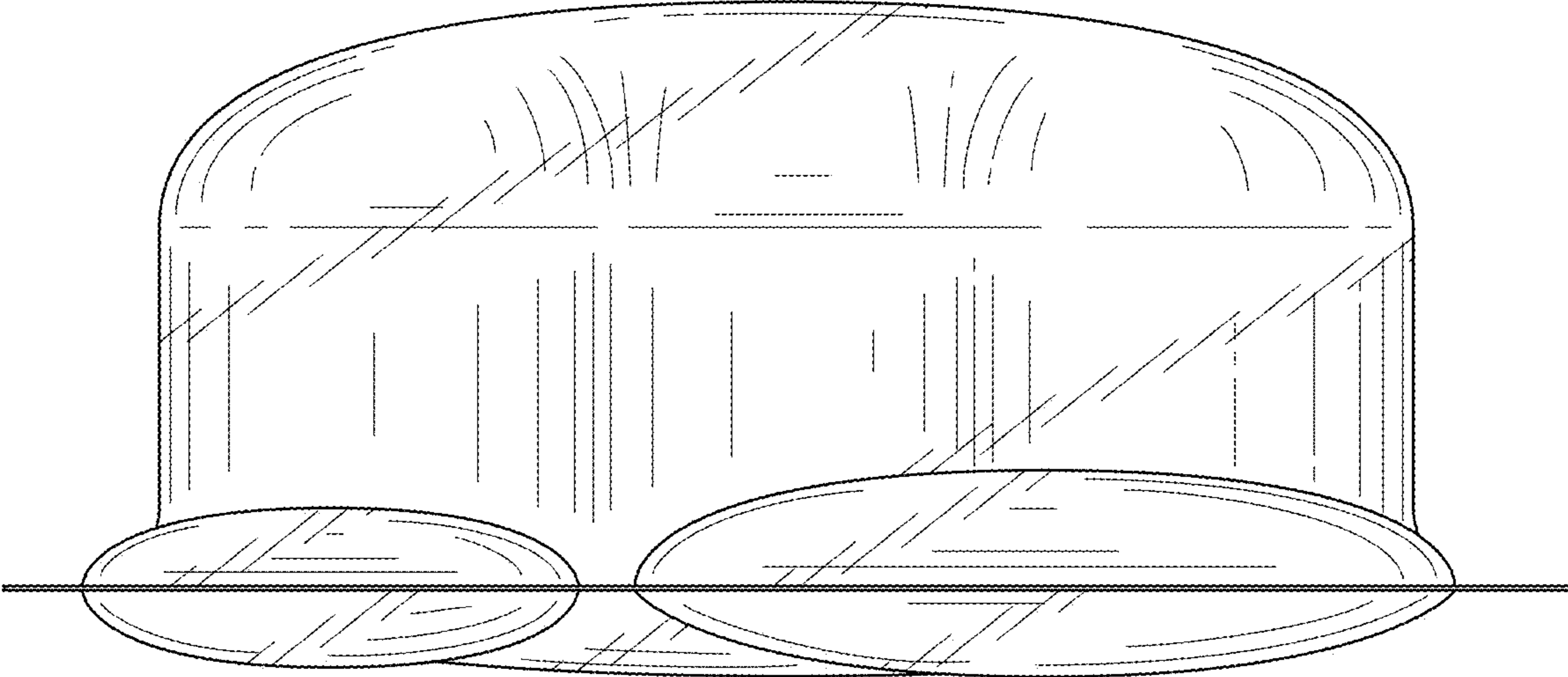


FIG. 4

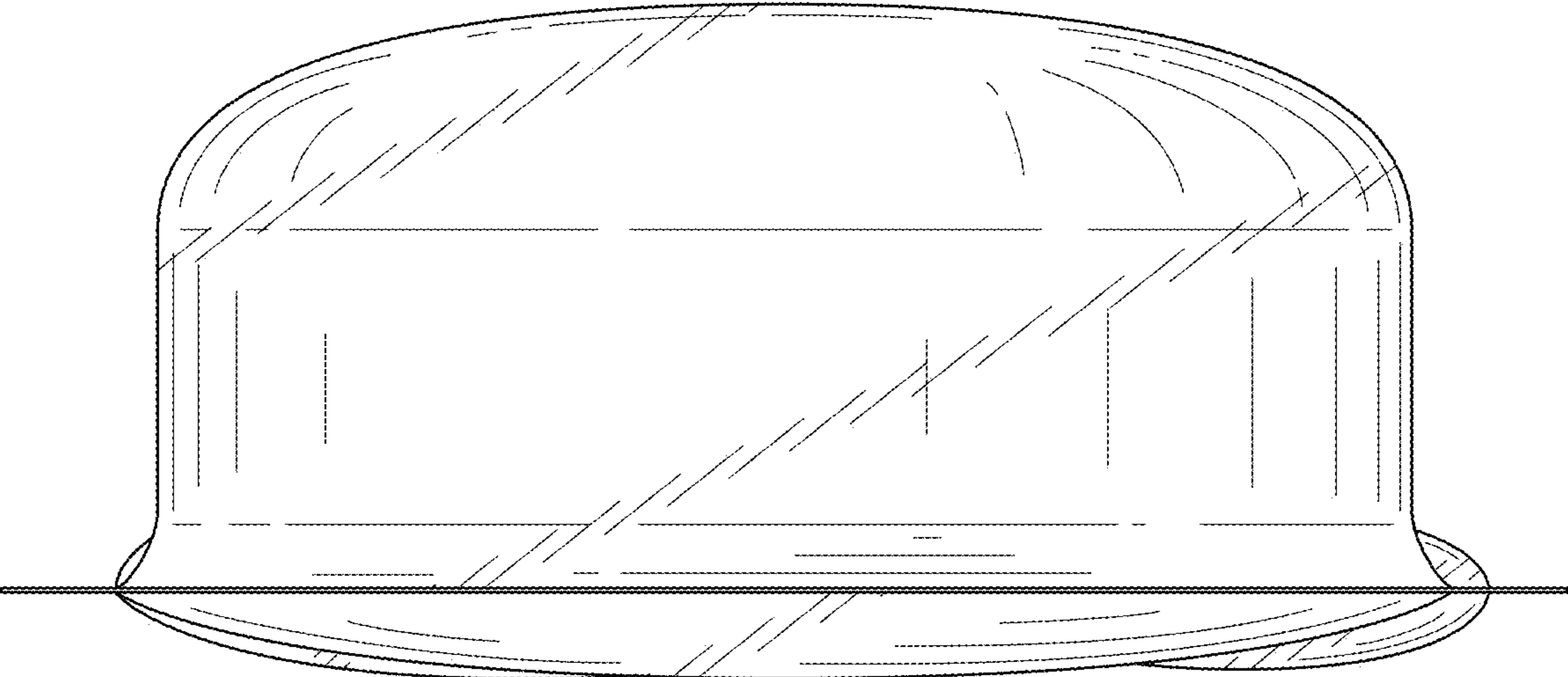


FIG. 5

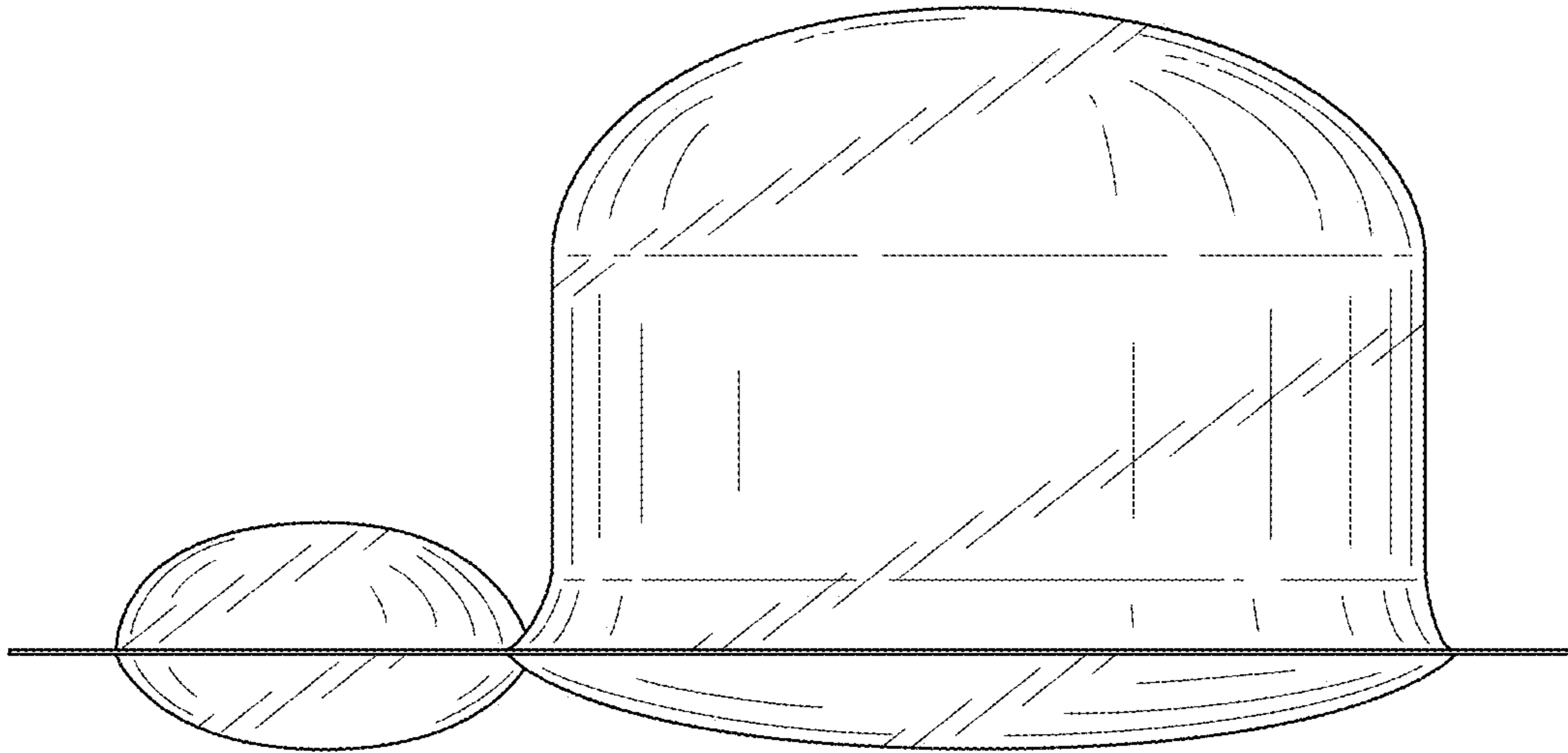


FIG. 6

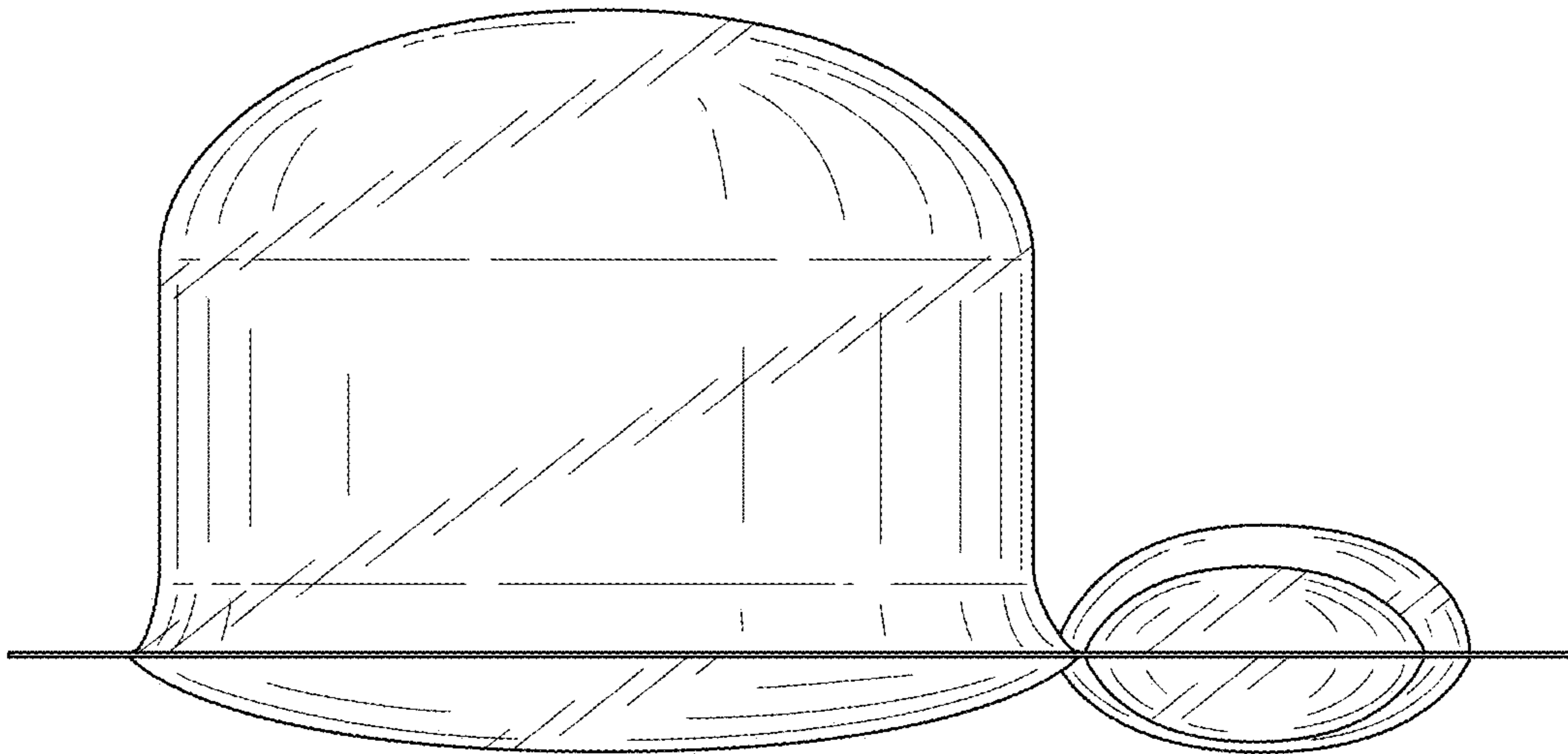


FIG. 7

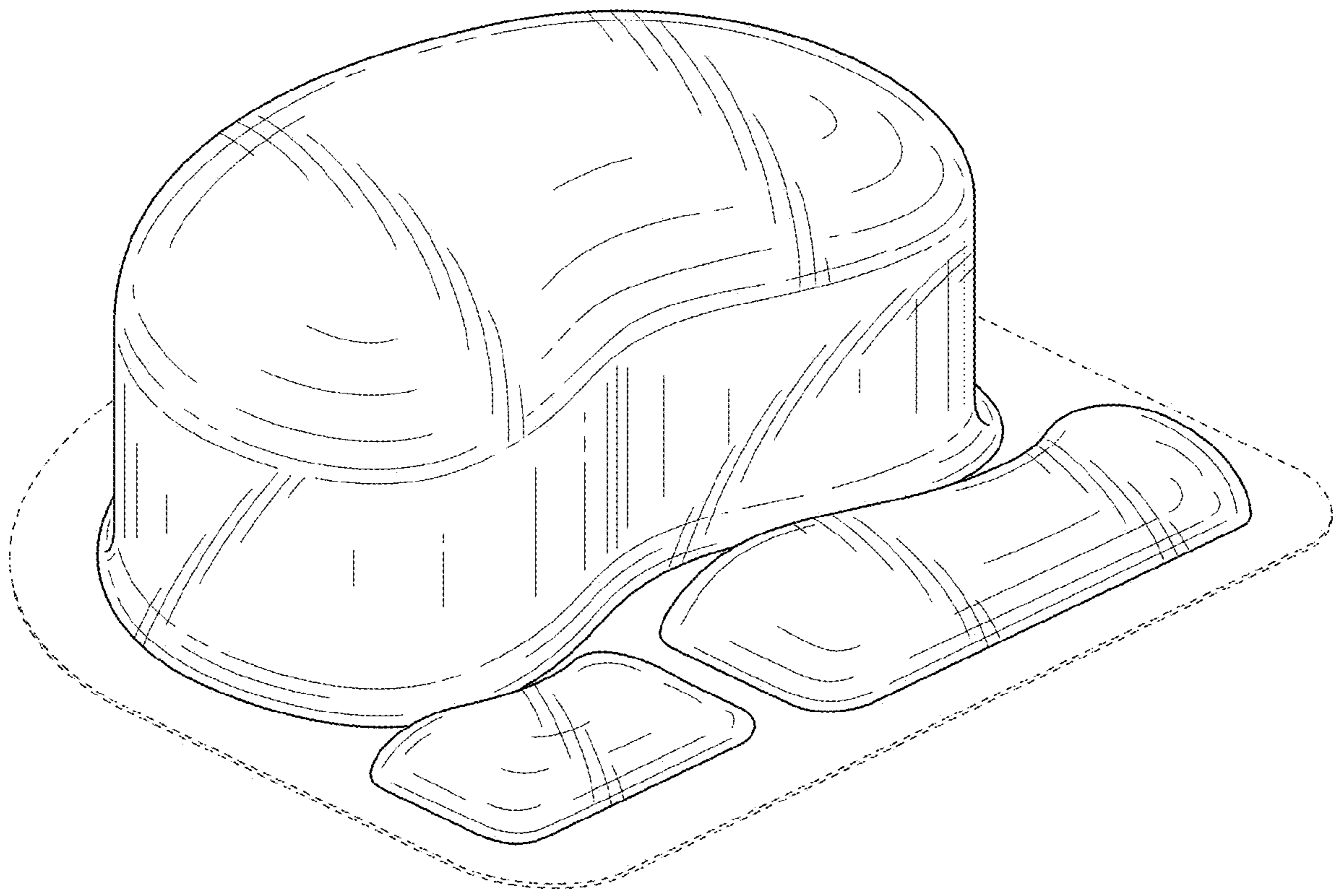


FIG. 8



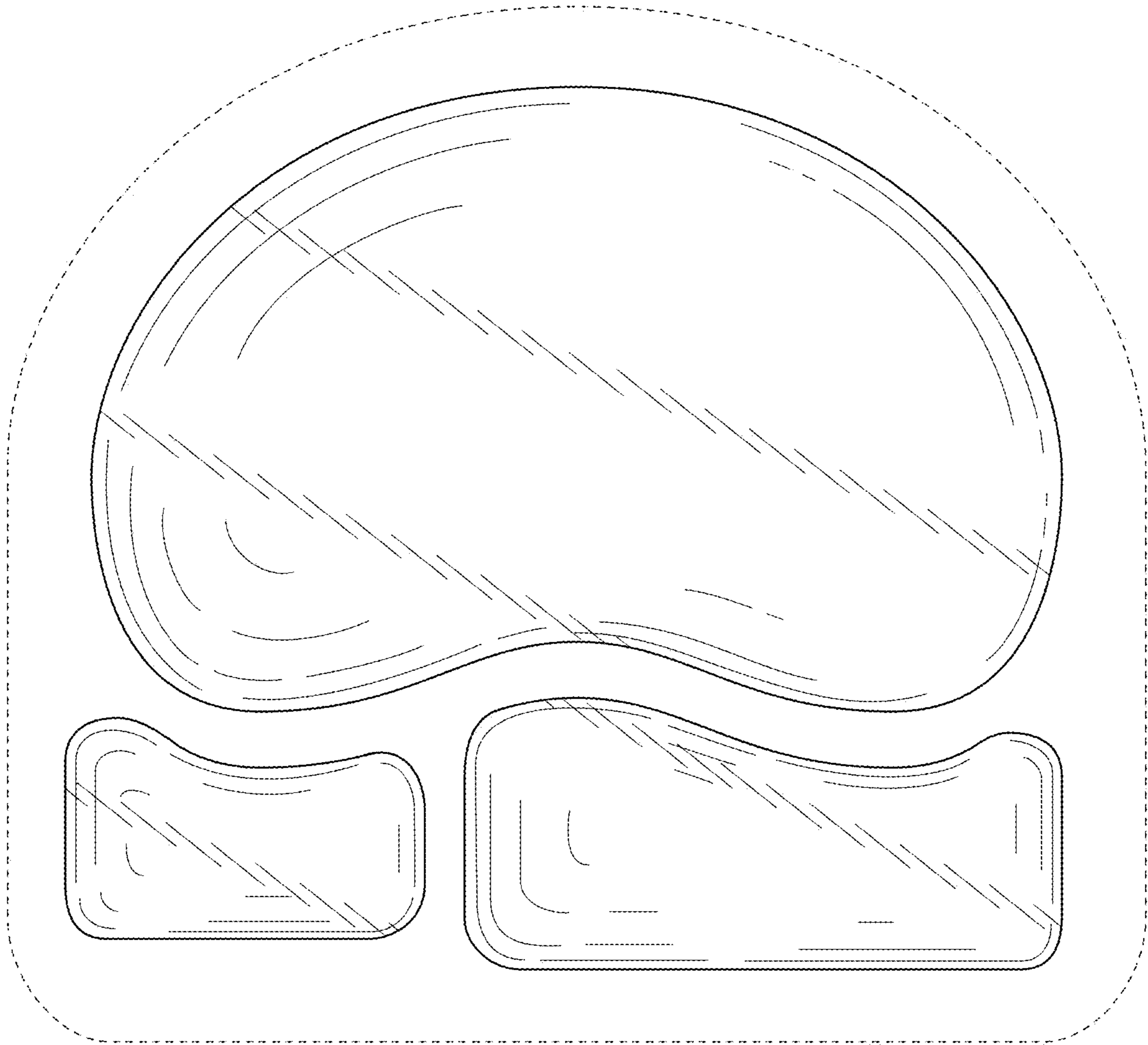


FIG. 9

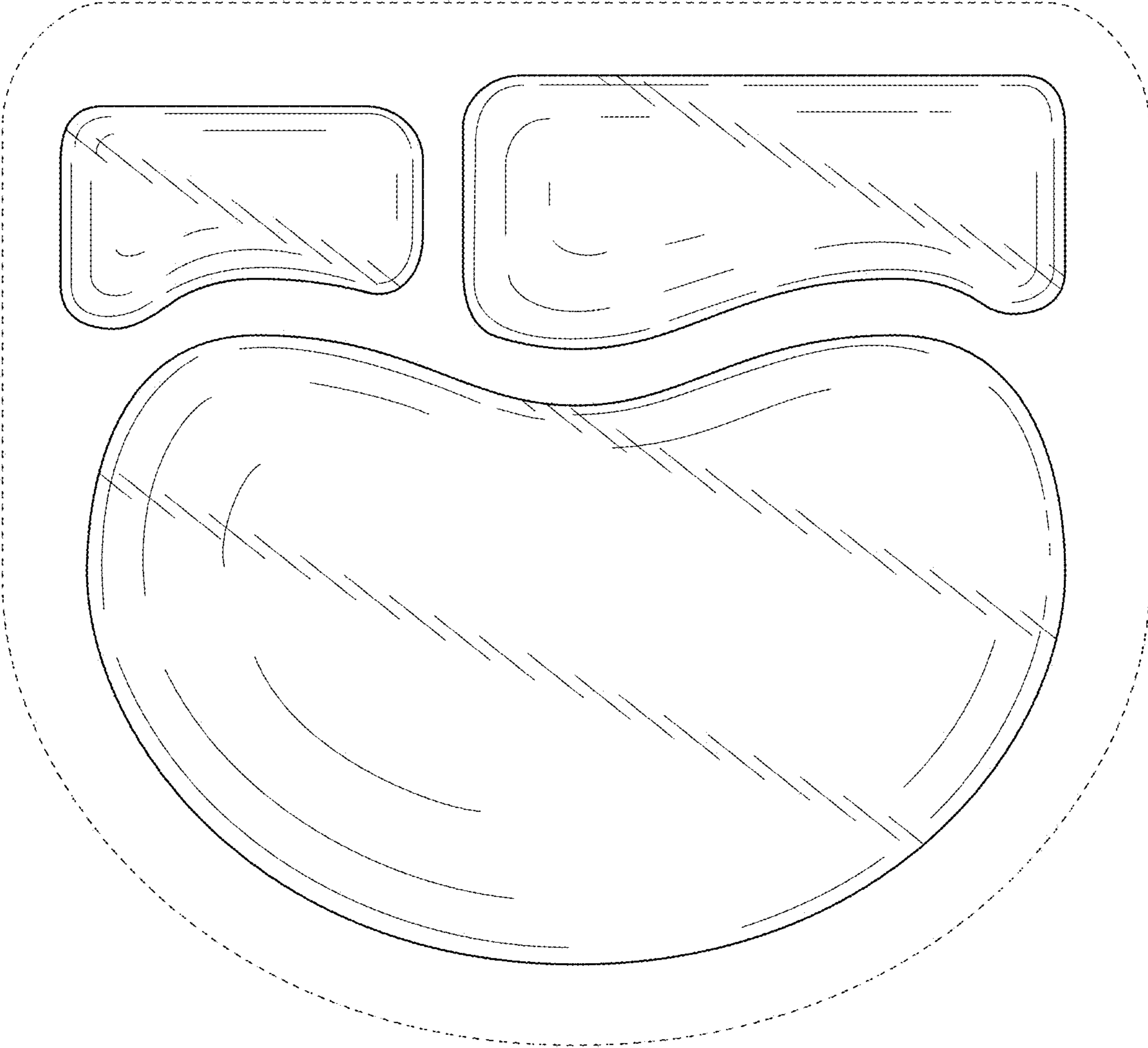


FIG. 10

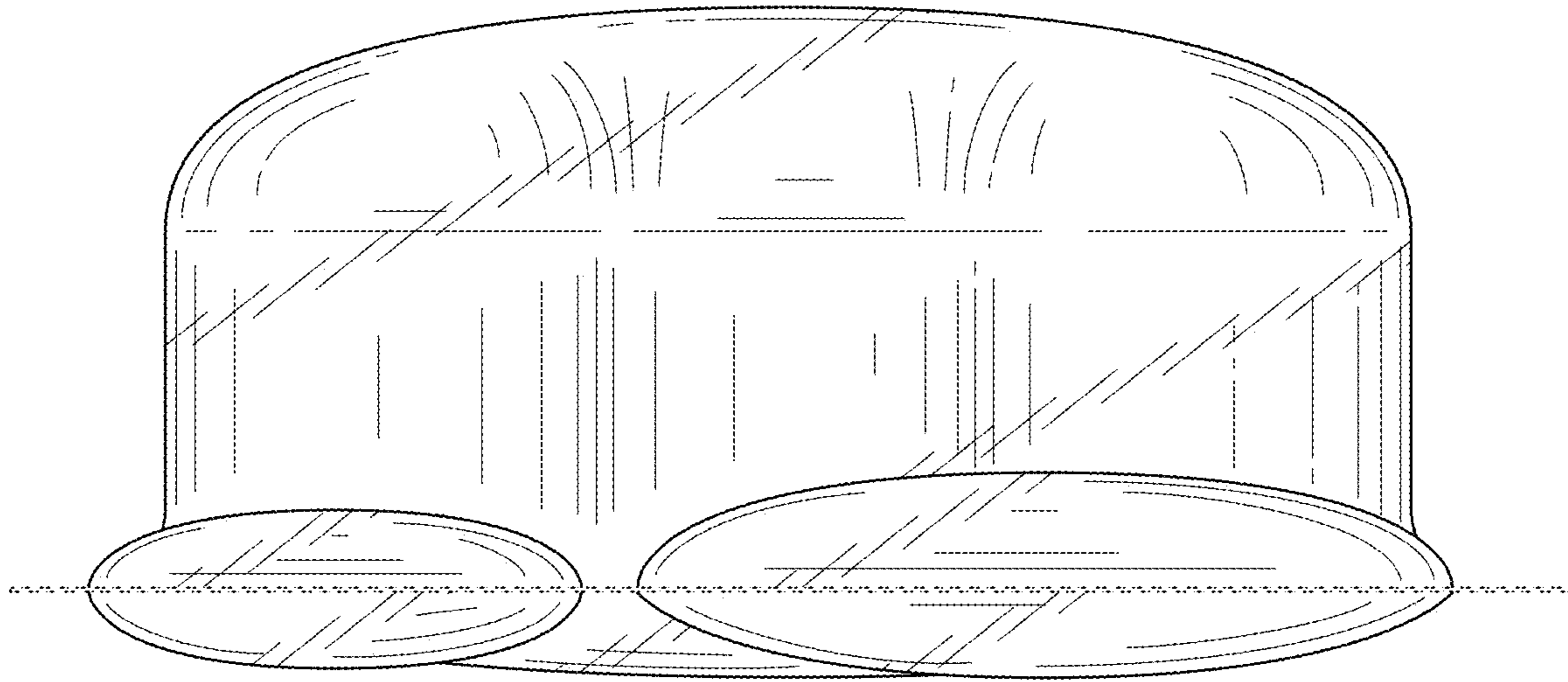


FIG. 11

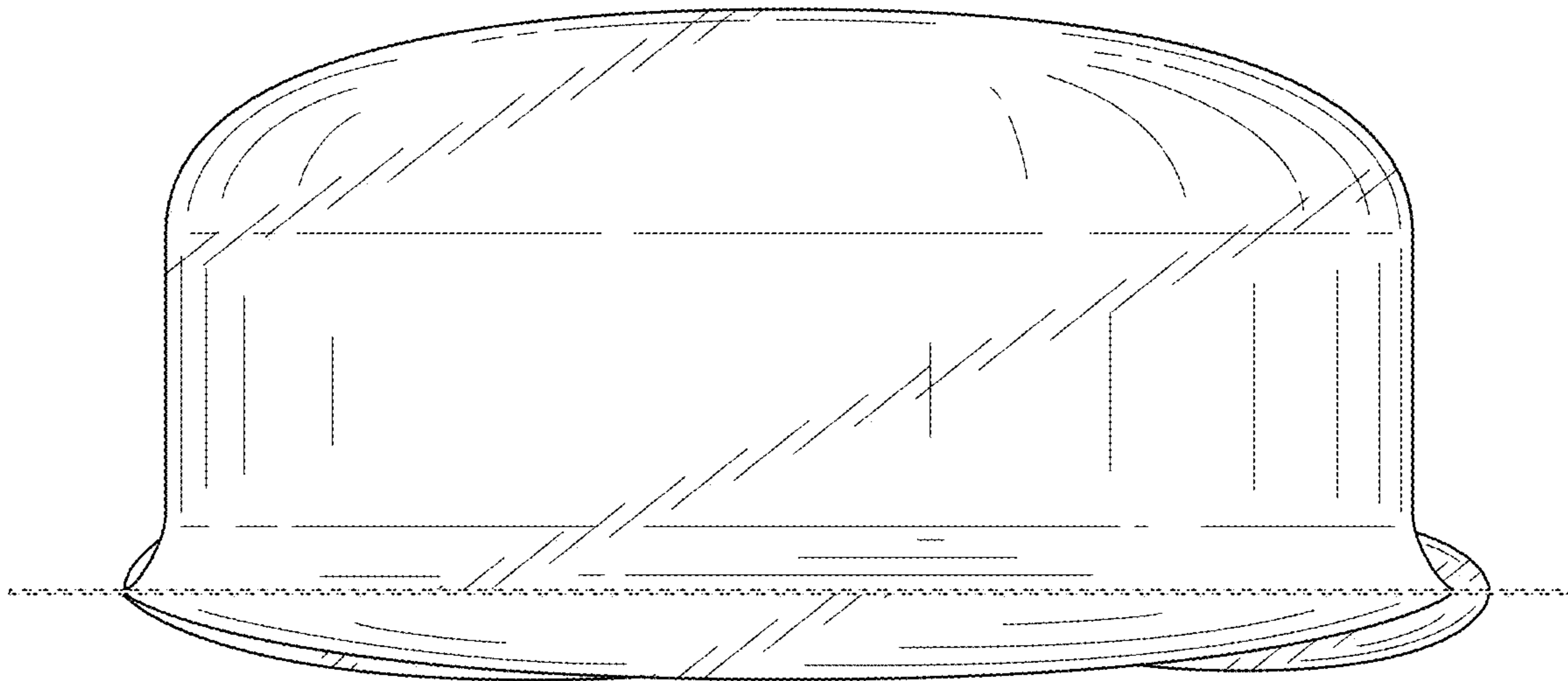


FIG. 12

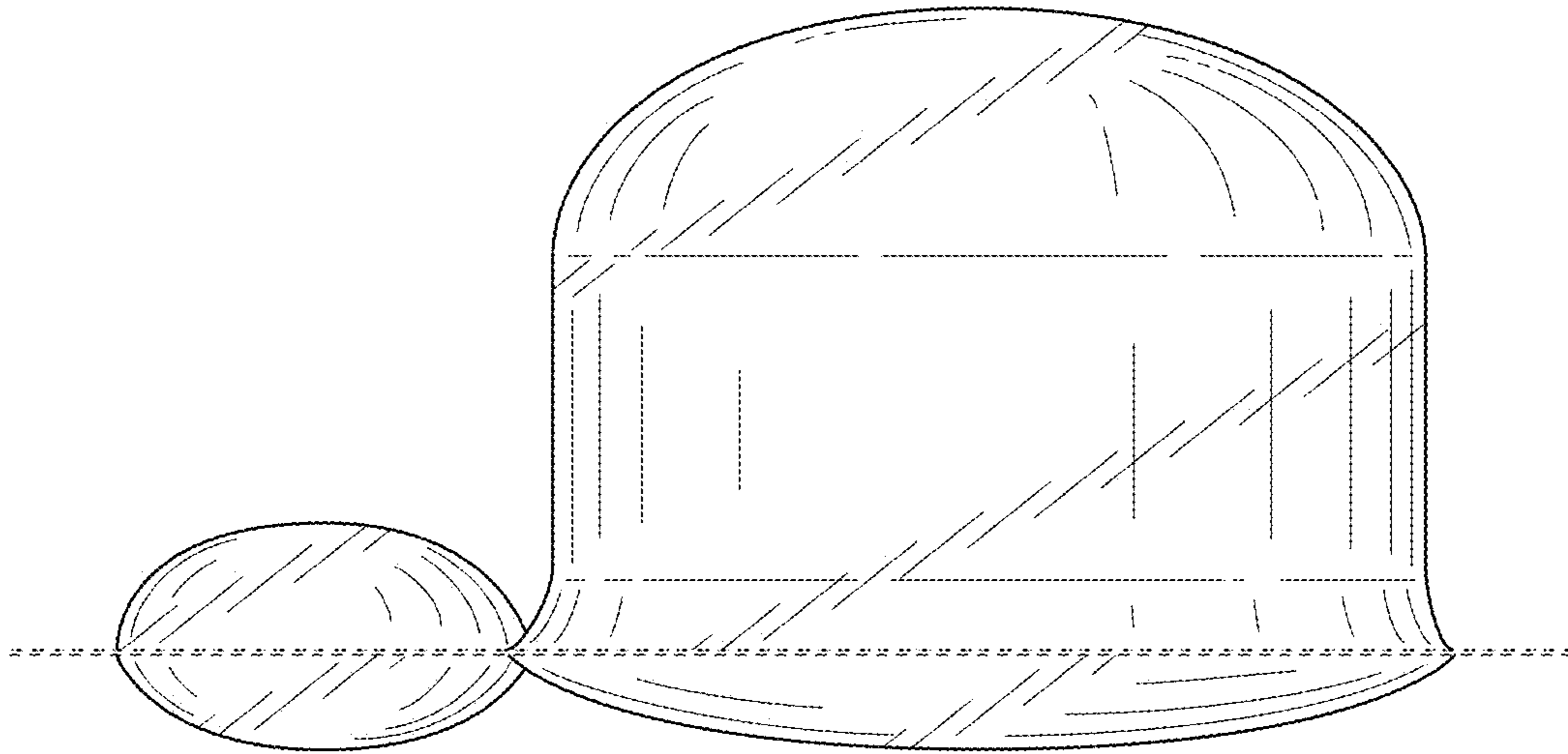


FIG. 13

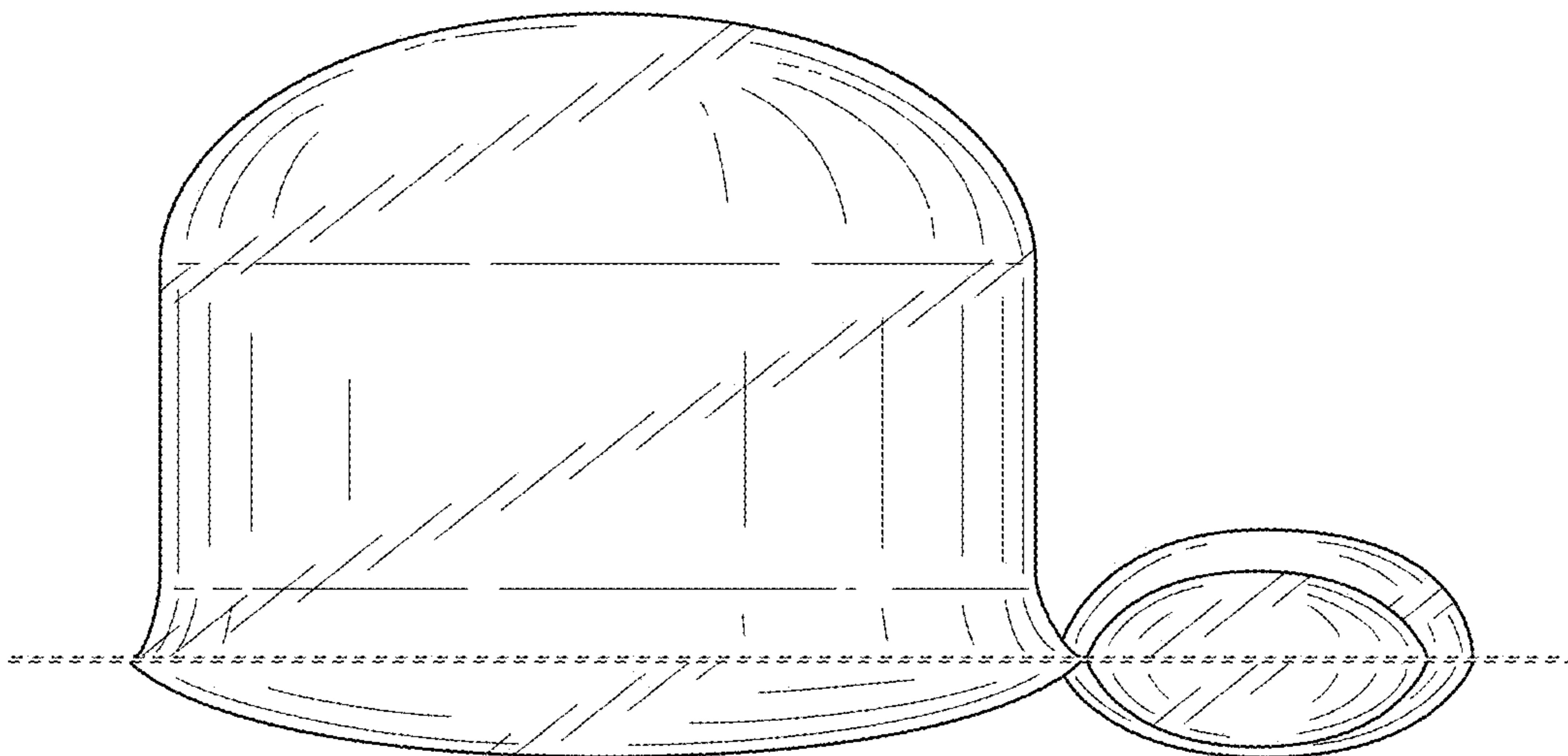


FIG. 14



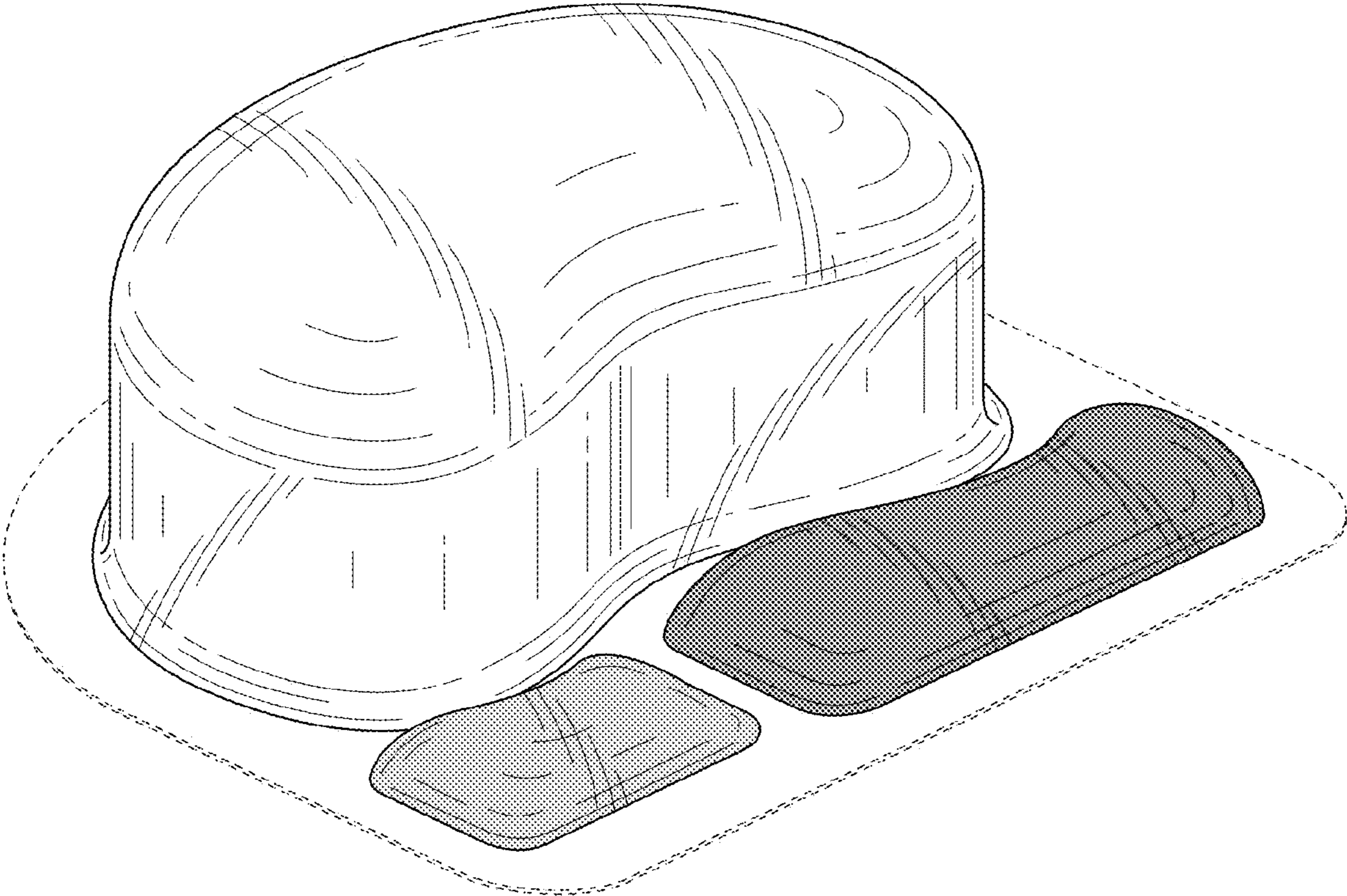


FIG. 15

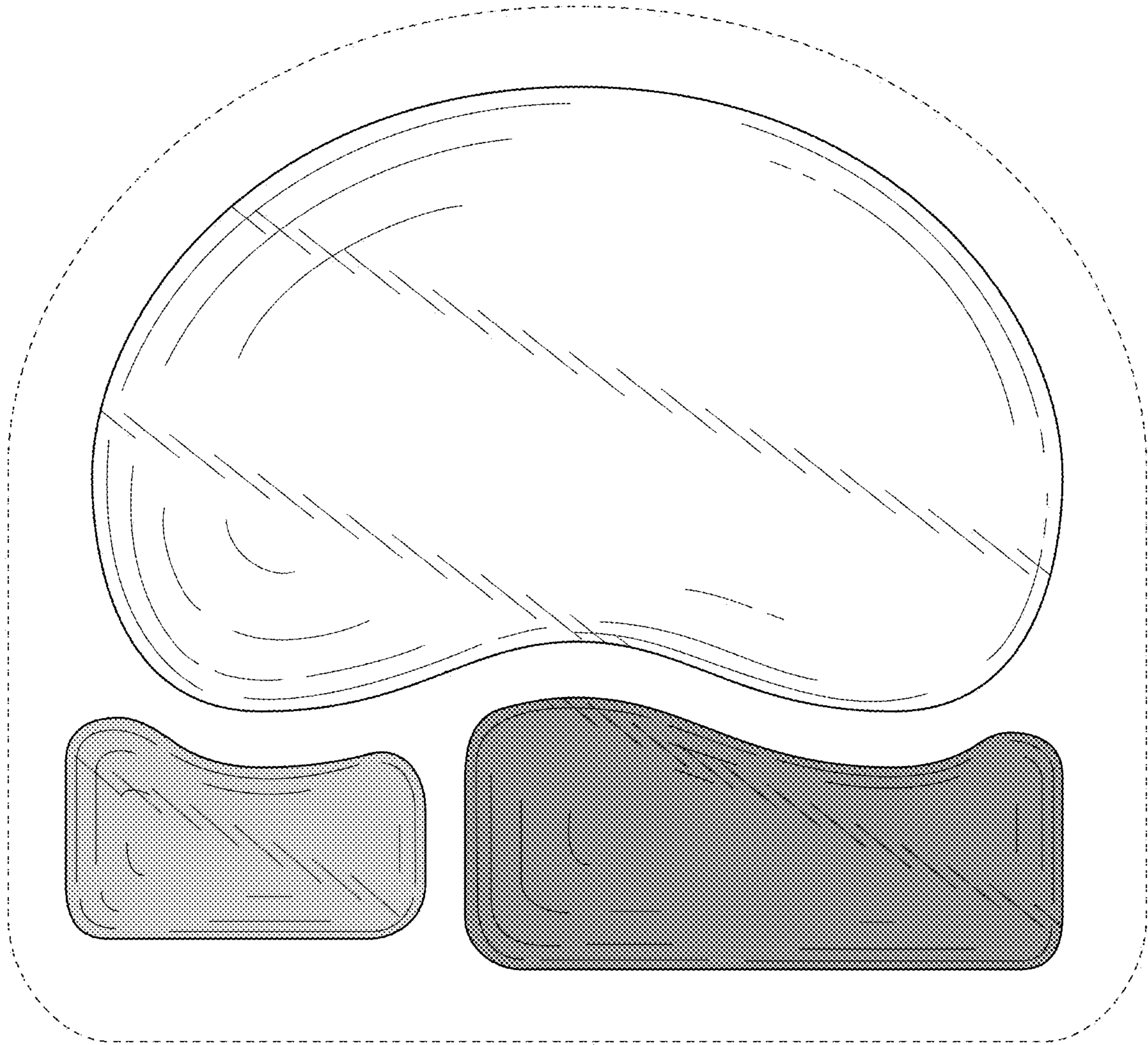


FIG. 16

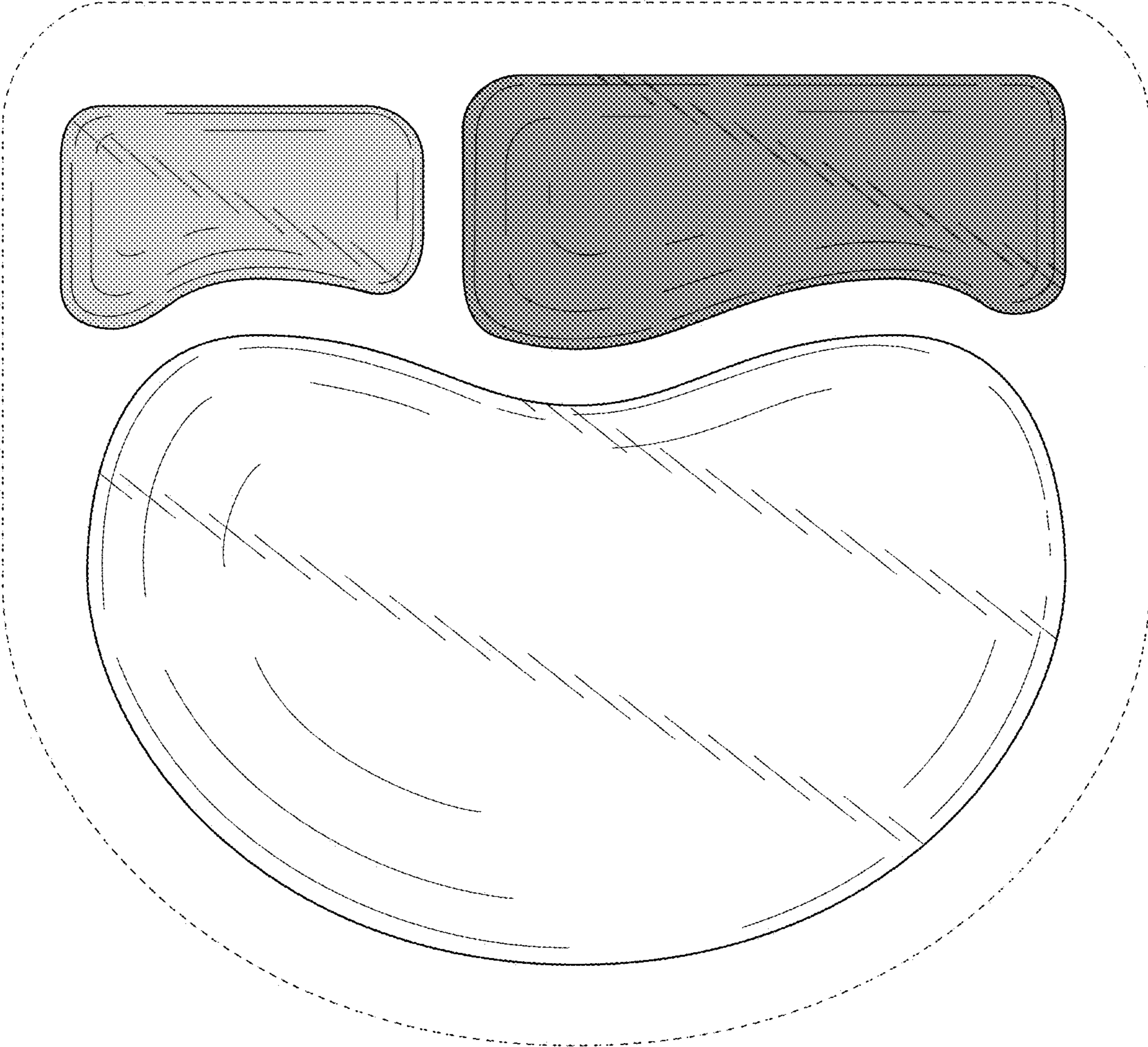


FIG. 17



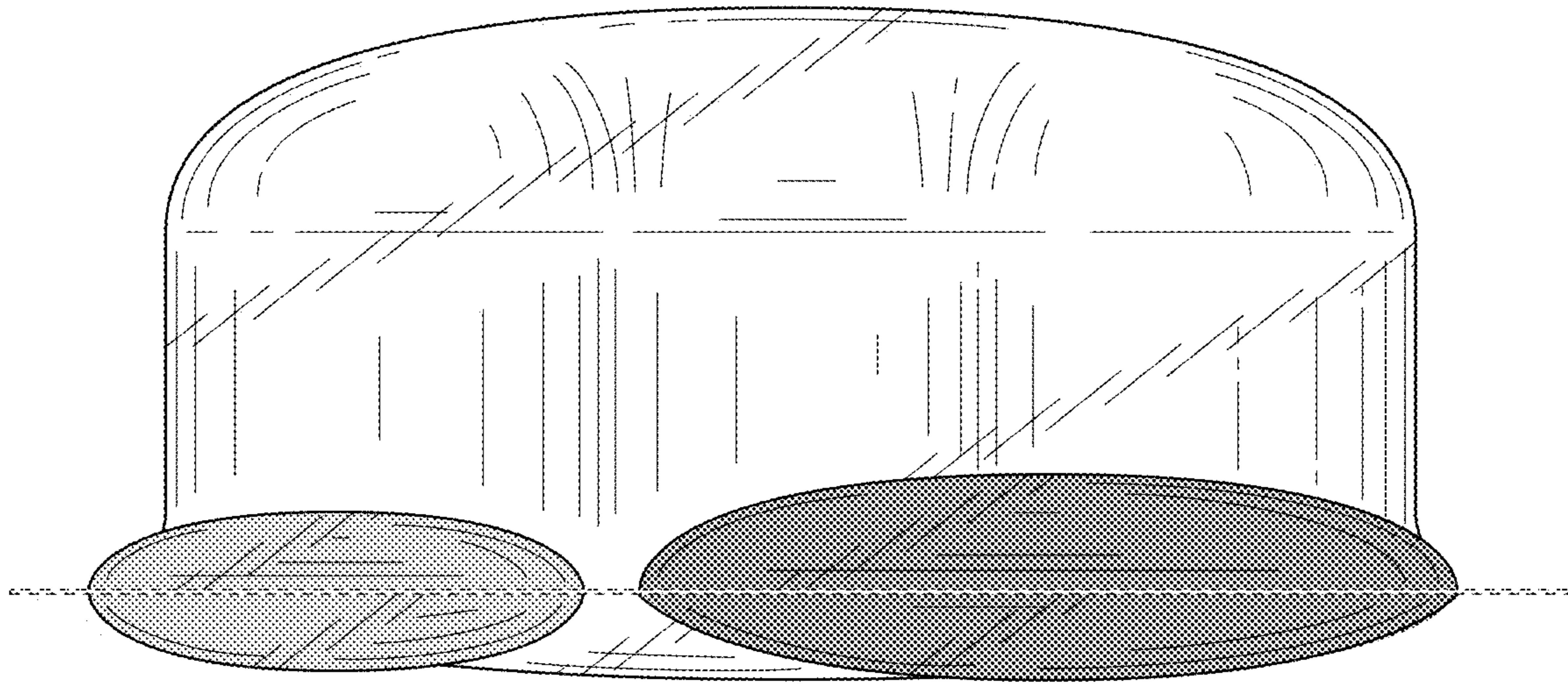


FIG. 18

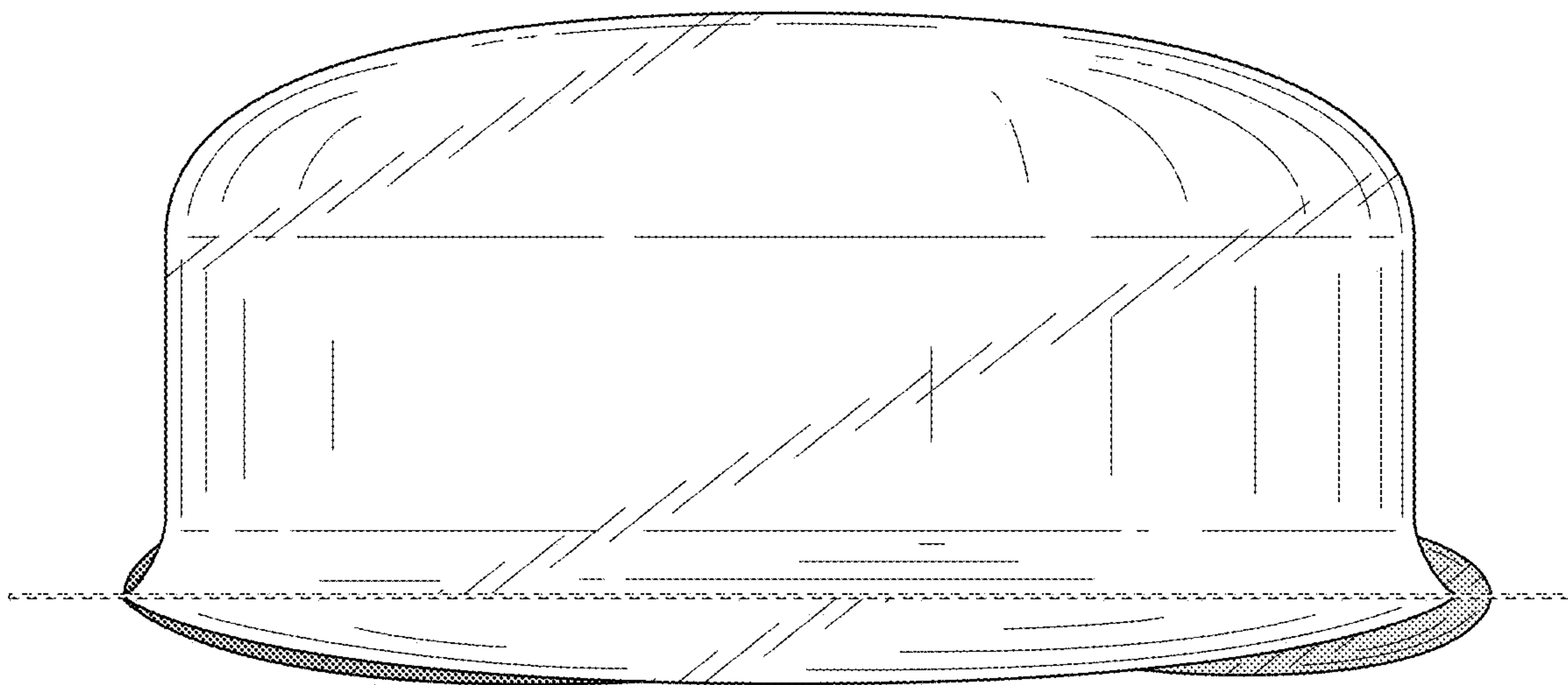


FIG. 19



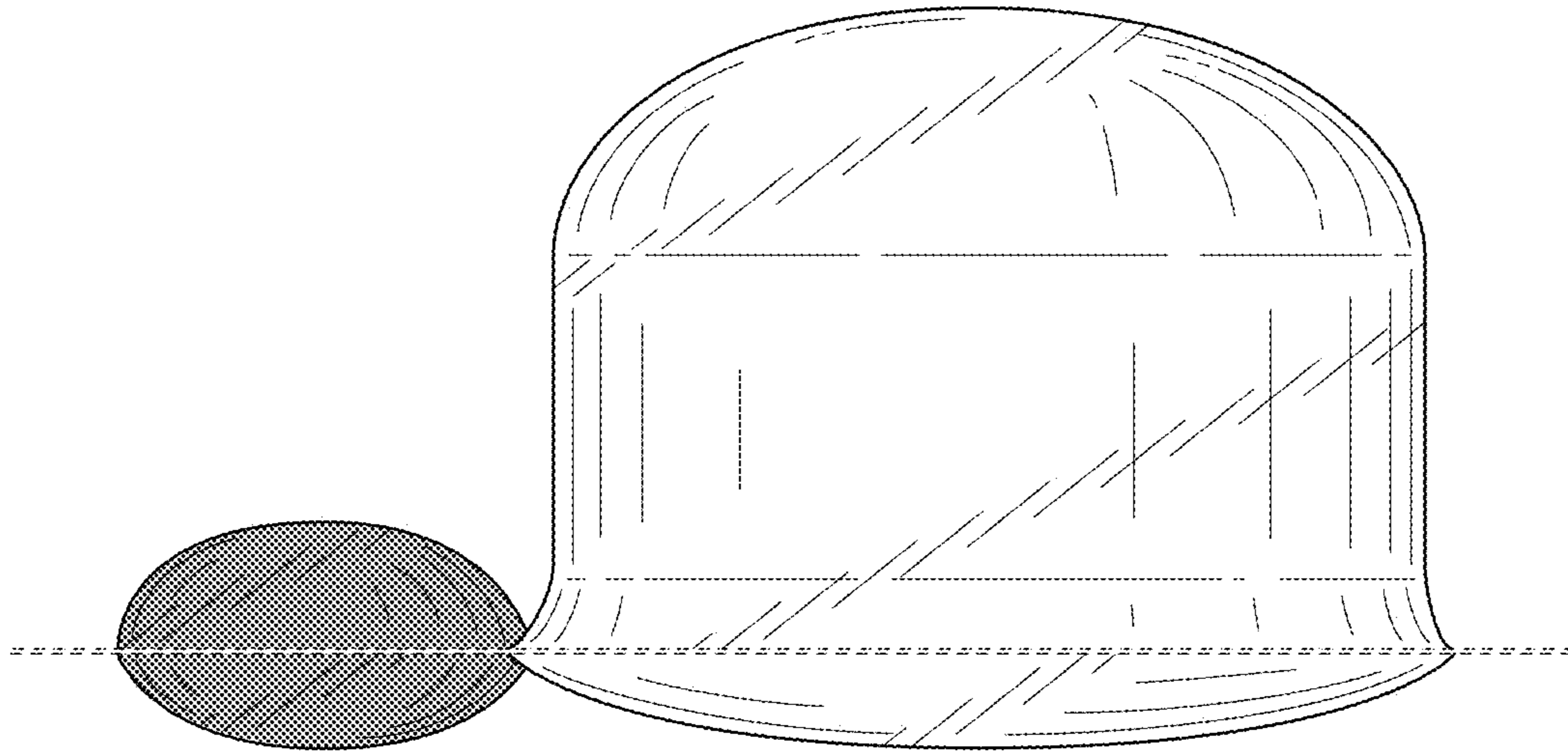


FIG. 20

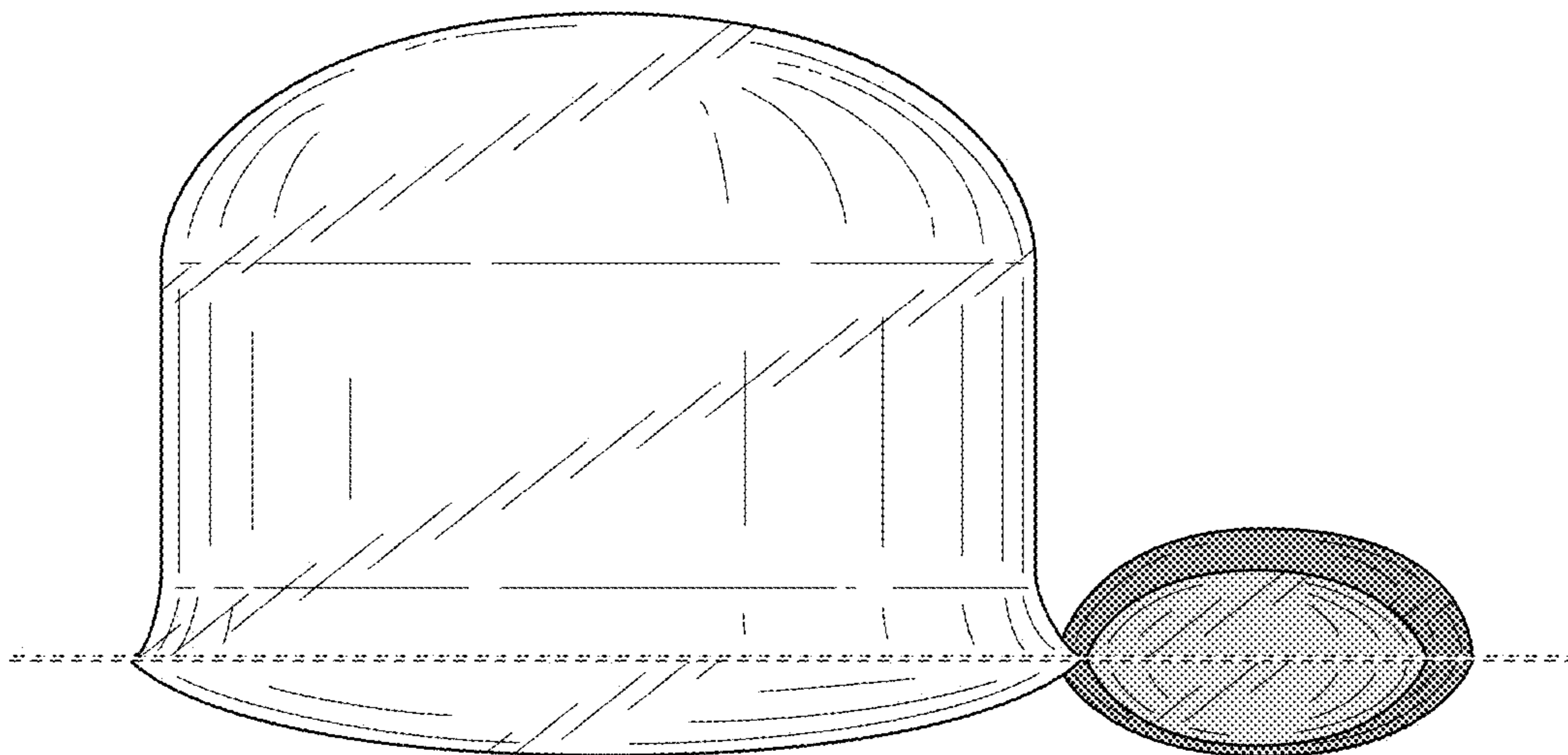


FIG. 21