



US00D988592S

(12) **United States Design Patent** (10) **Patent No.:** **US D988,592 S**
Reyes et al. (45) **Date of Patent:** **** Jun. 6, 2023**

- (54) **COMBINED GRINDER AND CONE FILLER**
- (71) Applicant: **G&E Innovations, Inc.**, Las Vegas, NV (US)
- (72) Inventors: **Gustavo Reyes**, Las Vegas, NV (US); **Esther Delgado-Lago**, Las Vegas, NV (US)
- (73) Assignee: **G&E INNOVATIONS INC.**, Las Vegas, NV (US)
- (**) Term: **15 Years**
- (21) Appl. No.: **29/804,414**
- (22) Filed: **Aug. 19, 2021**
- (51) **LOC (14) Cl.** **27-99**
- (52) **U.S. Cl.**
USPC **D27/196**
- (58) **Field of Classification Search**
USPC D27/196, 195, 172, 175, 183, 186, 187, D27/189, 194; D7/373, 401.1, 590-594, D7/679
CPC A24F 23/04; A24F 23/02; A24F 23/00; A47J 42/04; A47J 42/02; A47J 42/10; A47J 42/32; A47J 42/00; A24B 7/00; A24B 7/04; B02C 18/06; B02C 18/065
See application file for complete search history.

- D943,194 S * 2/2022 Diaz-Silveira D27/195
- 2014/0224910 A1 * 8/2014 Sahli A47J 42/10 241/246
- 2017/0231419 A1 * 8/2017 Chen A23F 3/06 241/36
- 2017/0245541 A1 * 8/2017 Pagan A47J 42/12
- 2017/0258272 A1 * 9/2017 Pai A47J 42/02

OTHER PUBLICATIONS

RollBotz-Robokone Filler and Grinder By: Recommended Vape Supplies found on line (Nov. 14, 2022) <https://recommendedvapesupplies.co.uk/products/rollbotz-robokone-filler-and-grinder> (May 15, 2020).*

* cited by examiner

Primary Examiner — Rebecca Tsehaye
(74) *Attorney, Agent, or Firm* — Aura IP Law, PC

(57) **CLAIM**

The ornamental design for a combined grinder and cone filler, as shown and described herein.

DESCRIPTION

FIG. 1 is a top perspective view of a combined grinder and cone filler in an assembled state in accordance with the invention shown and described herein.

FIG. 2 is a front view thereof.

FIG. 3 is a back view thereof.

FIG. 4 is a first side view thereof.

FIG. 5 is a second side view thereof taken from the opposite side of FIG. 4.

FIG. 6 is a top view thereof.

FIG. 7 is a bottom view thereof.

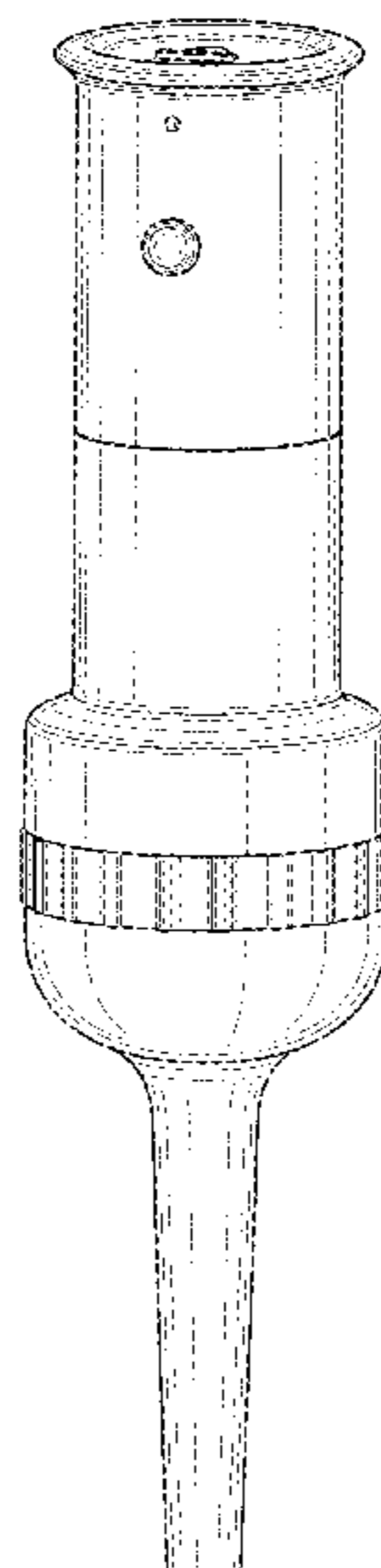
FIG. 8 is a top perspective exploded view thereof; and, FIG. 9 is a bottom perspective exploded view thereof.

The broken lines consisting of short and long dash lines encircling the enlarged detail views are for annotative purposes that form no part of the claimed design.

1 Claim, 6 Drawing Sheets

(56) **References Cited**
U.S. PATENT DOCUMENTS

- D364,480 S * 11/1995 Warren, Sr. D27/193
- 6,793,168 B1 * 9/2004 Pedersen A47J 42/04 241/169.1
- D683,070 S * 5/2013 Laone D27/195
- 8,622,329 B1 * 1/2014 Jones A47J 42/04 241/169.1
- D739,076 S * 9/2015 Grumbacher D7/679
- D815,349 S * 4/2018 Watson D27/194
- 10,251,514 B2 * 4/2019 Ding A47J 42/50
- D862,998 S * 10/2019 Tu D7/679



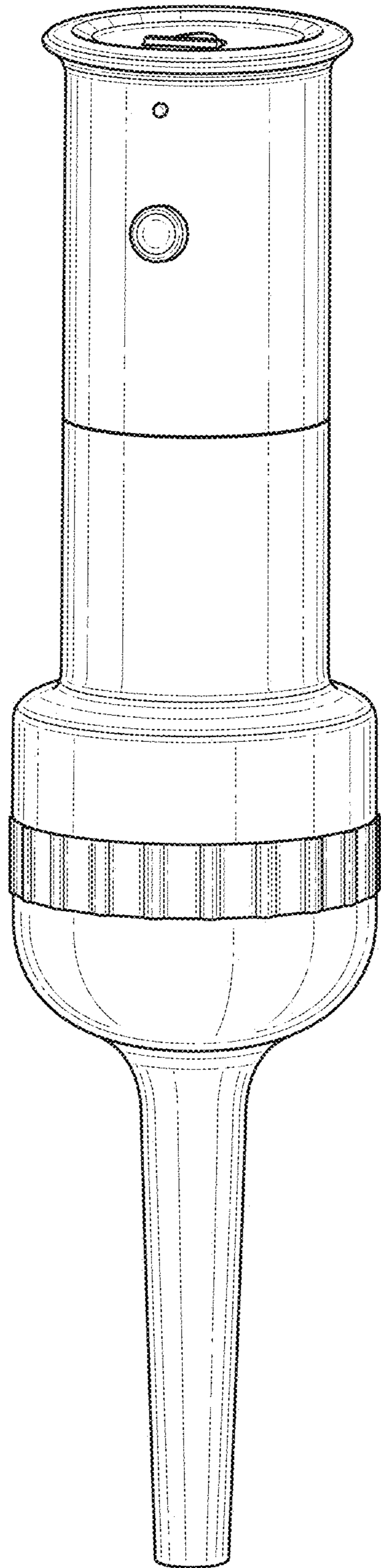


FIG. 1

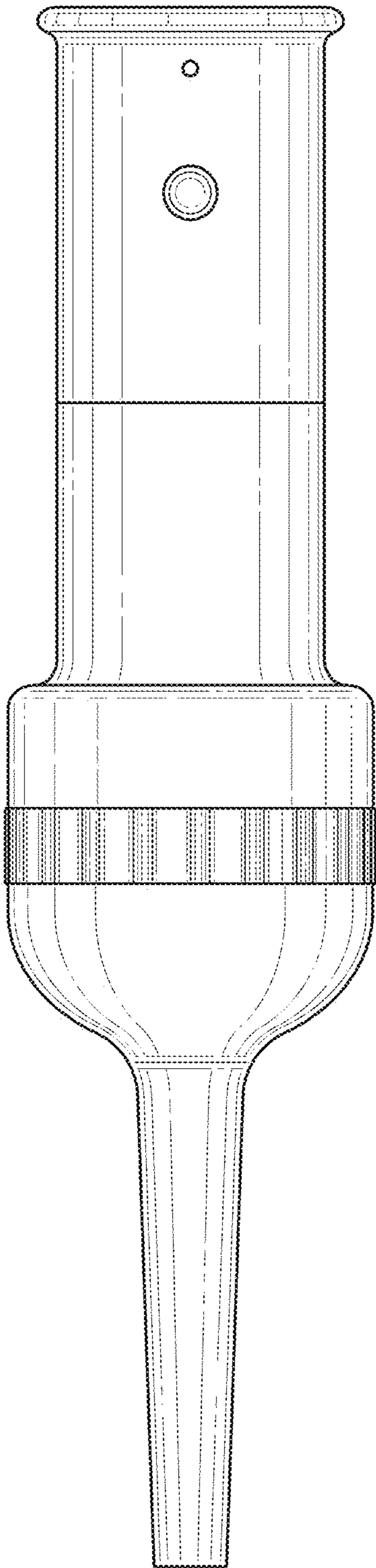


FIG. 2

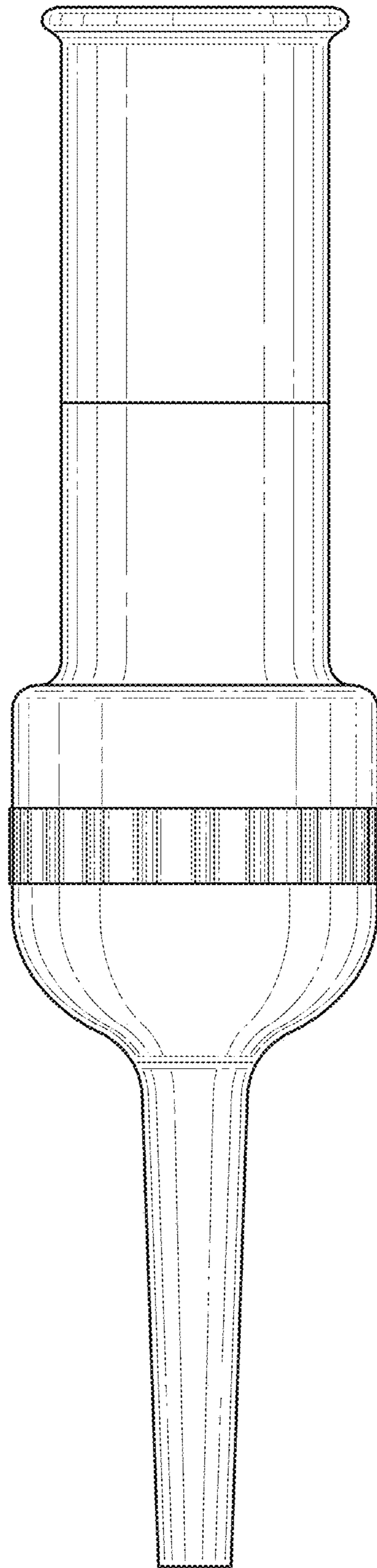


FIG. 3

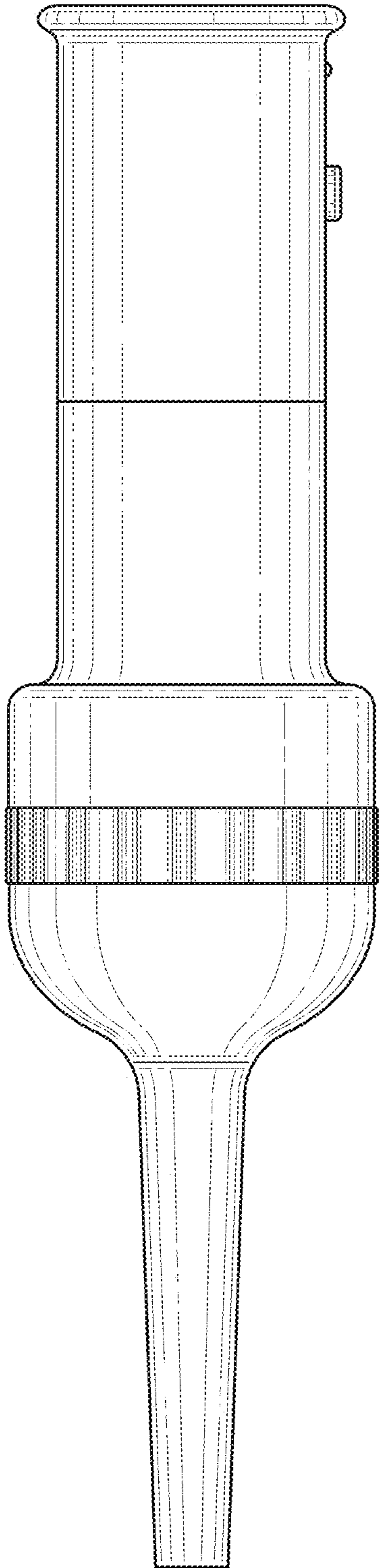


FIG. 4

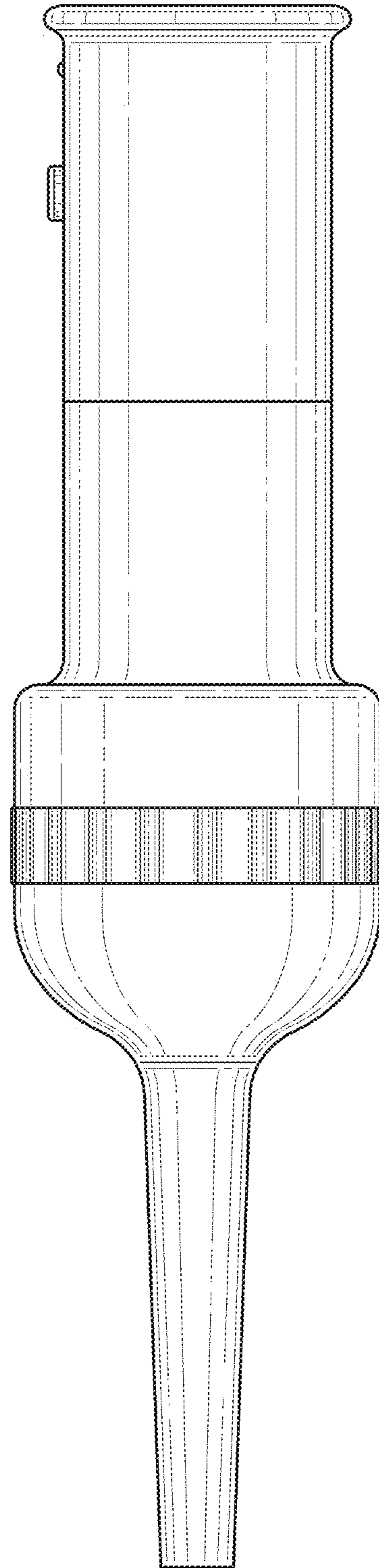


FIG. 5

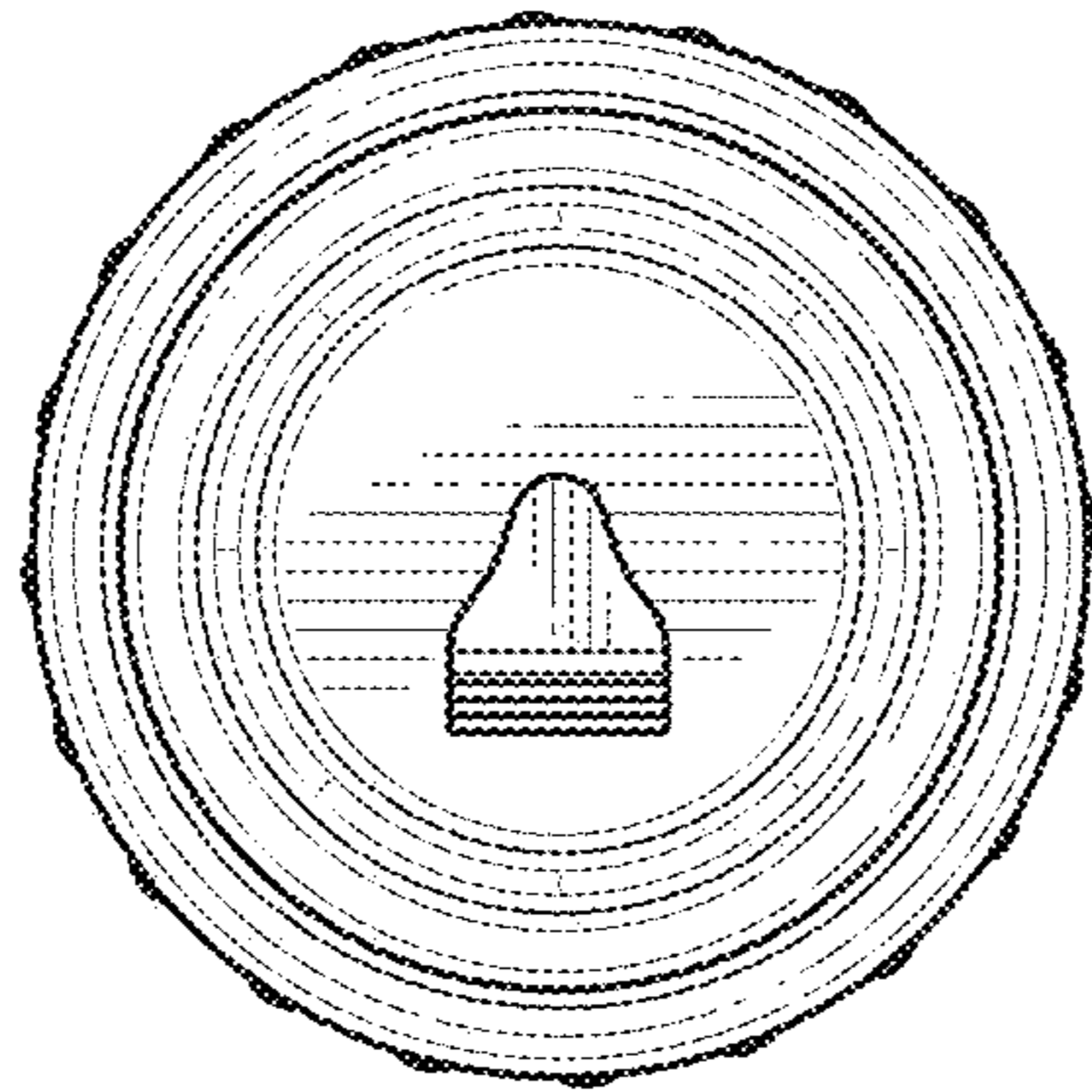


FIG. 6

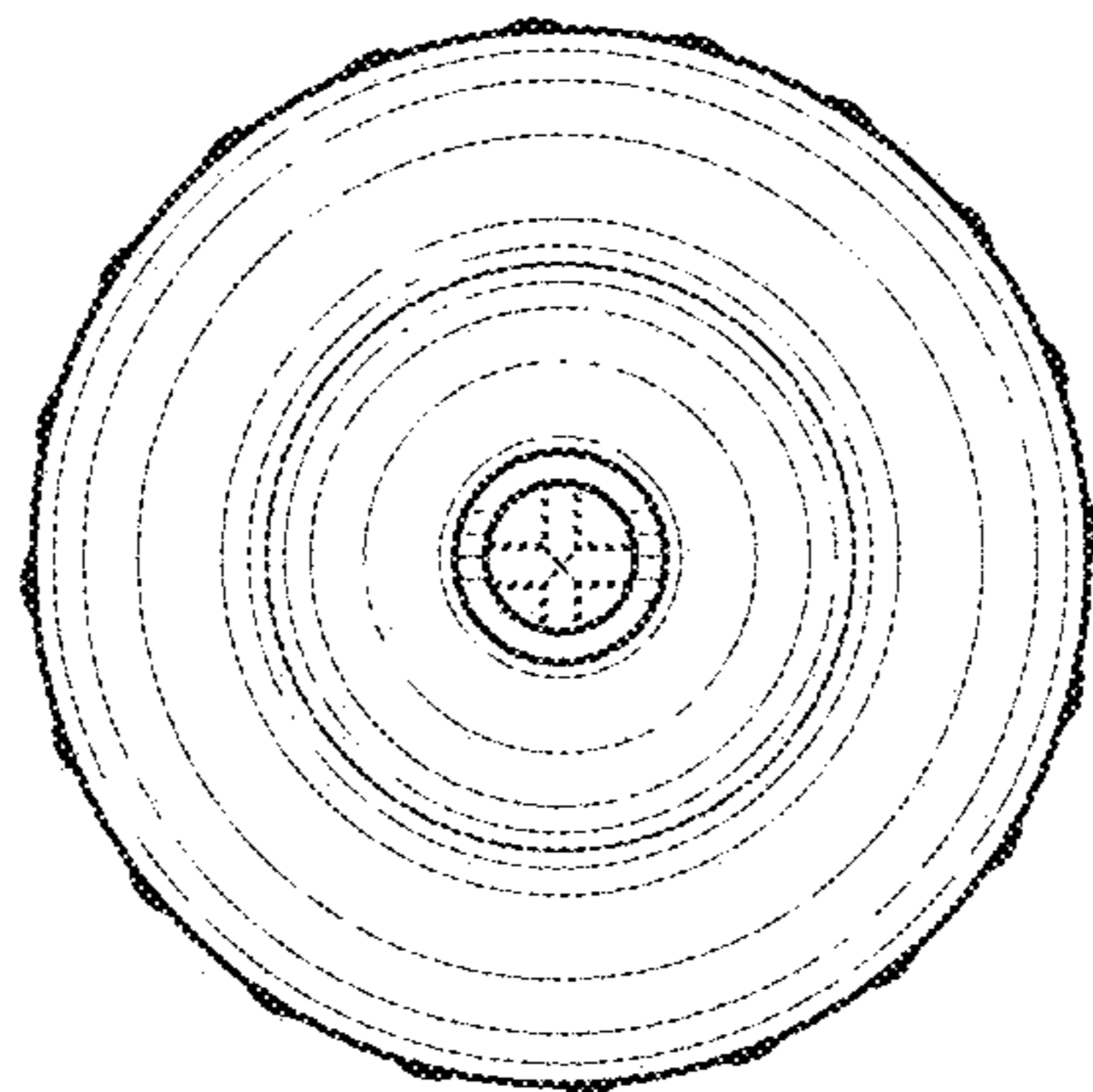


FIG. 7

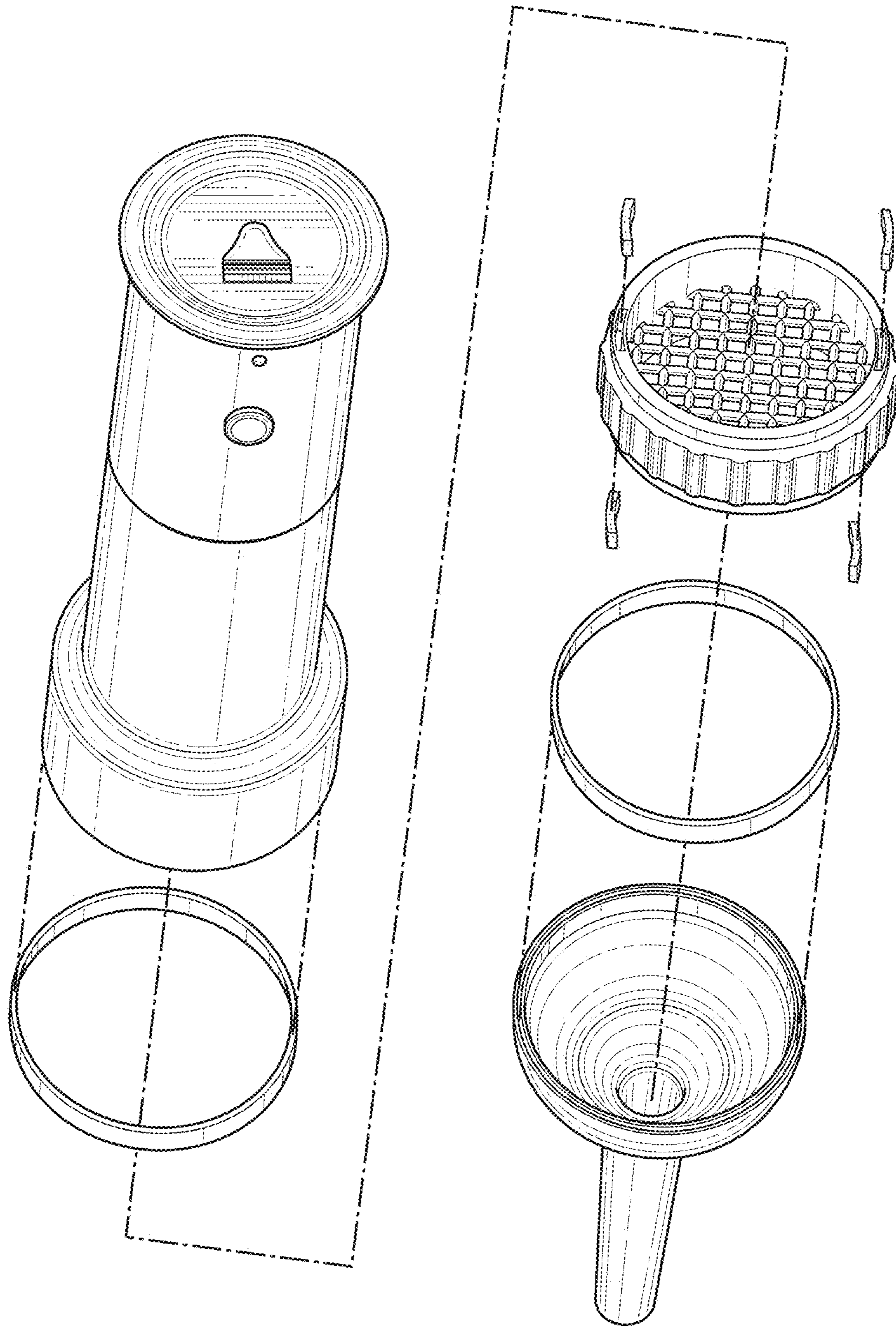


FIG. 8

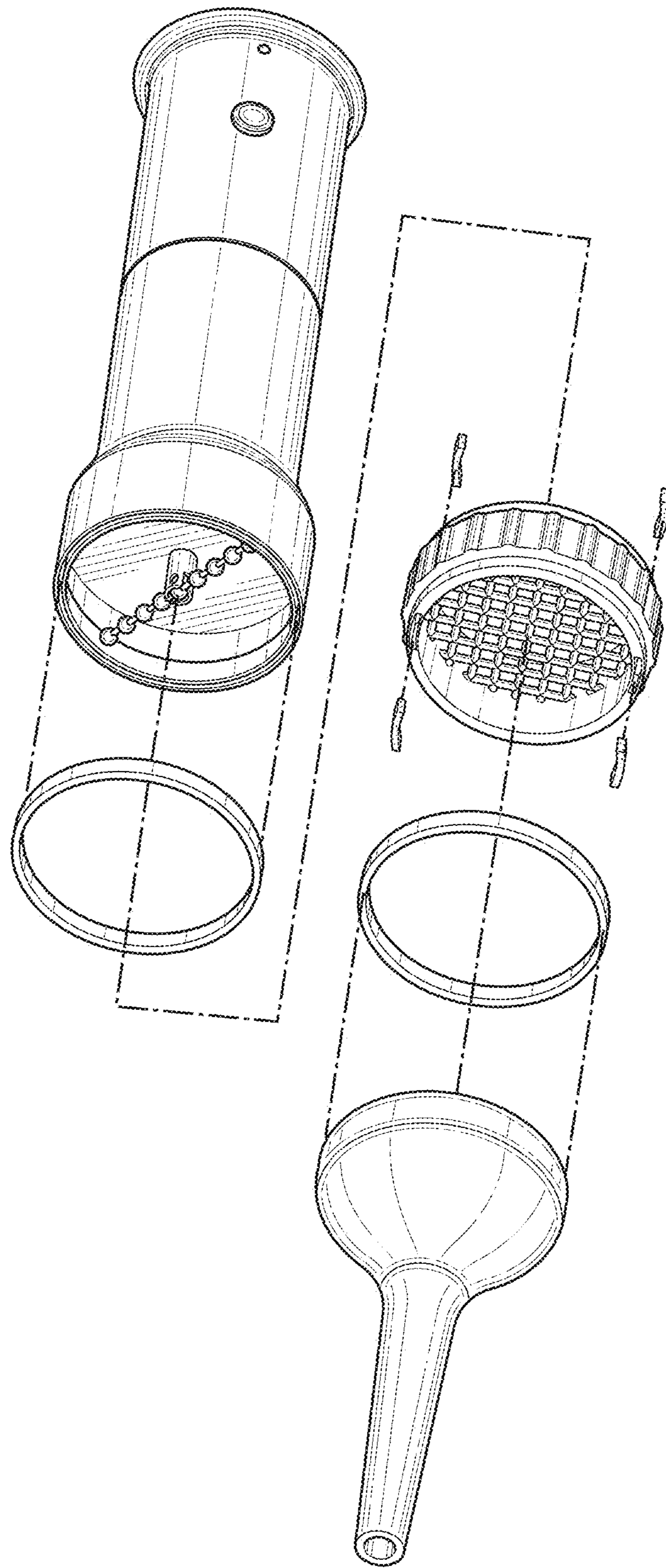


FIG. 9