



US00D988591S

(12) **United States Design Patent** (10) **Patent No.:** **US D988,591 S**
Hirasawa et al. (45) **Date of Patent:** **** Jun. 6, 2023**

(54) **ATOMIZER MOUTHPIECE FOR INHALER**

(71) Applicant: **OMRON HEALTHCARE Co., Ltd.**,
Kyoto (JP)

(72) Inventors: **Asa Hirasawa**, Kyoto (JP); **Tsuyoshi Ogihara**, Kyoto (JP); **Kengo Nishiyama**, Kyoto (JP); **Gen Suzuki**, Kamakura (JP)

(73) Assignee: **OMRON HEALTHCARE Co., Ltd.**,
Kyoto (JP)

(**) Term: **15 Years**

(21) Appl. No.: **29/786,109**

(22) Filed: **May 28, 2021**

(30) **Foreign Application Priority Data**

Dec. 2, 2020 (JP) 2020-025969 D

(51) **LOC (14) Cl.** **27-02**

(52) **U.S. Cl.**
USPC **D27/170**

(58) **Field of Classification Search**
USPC D27/170, 101, 162-169, 194; D24/110,
D24/110.5; D23/360, 363, 366
CPC A24F 40/40; A24F 40/44; A24F 40/10;
A24F 40/20; A24F 40/60; A24F 15/015;
A24F 15/00; A24F 15/02; A24F 15/12;
A61M 15/00; A61M 15/06
See application file for complete search history.

(56) **References Cited**

U.S. PATENT DOCUMENTS

D752,206 S * 3/2016 Genord D24/110
D753,282 S * 4/2016 Lee D24/100
D790,765 S * 6/2017 Beer D27/101
D838,409 S * 1/2019 Reimann D27/162
D887,544 S * 6/2020 Inoue D24/107

D889,635 S * 7/2020 Mitchell D24/110
D902,381 S * 11/2020 Inoue D24/107
D910,162 S * 2/2021 Inoue D24/107
D926,364 S * 7/2021 Folmann D27/163
D930,237 S * 9/2021 Fornarelli D27/170
D935,600 S * 11/2021 Rusin D24/162
D945,059 S * 3/2022 Reimann D27/162
D948,112 S * 4/2022 Smith D27/170
D952,241 S * 5/2022 Chen D27/162
D954,934 S * 6/2022 Mitchell D24/110

OTHER PUBLICATIONS

Portable Mesh Nebulizer By: Wellue found on Amazon (Nov. 3, 2022) <https://getwellue.com/products/wellue-portable-mesh-nebulizer> (Oct. 14, 2020).*

* cited by examiner

Primary Examiner — Rebecca Tsehaye

(74) *Attorney, Agent, or Firm* — Capitol City TechLaw

(57) **CLAIM**

The ornamental design for an atomizer mouthpiece for inhaler, as shown and described.

DESCRIPTION

FIG. 1 is a front, top, and right side perspective view of an atomizer mouthpiece for inhaler, showing our new design; FIG. 2 is a rear, bottom, and left side perspective view thereof; FIG. 3 is a front view thereof; FIG. 4 is a rear view thereof; FIG. 5 is a top view thereof; FIG. 6 is a bottom view thereof; FIG. 7 is a right side view thereof; and, FIG. 8 is a left side view thereof. The broken lines shown in FIGS. 7 and 8 are included for the purpose of illustrating portions of the atomizer mouthpiece for inhaler that form no part of the claimed design.

1 Claim, 4 Drawing Sheets

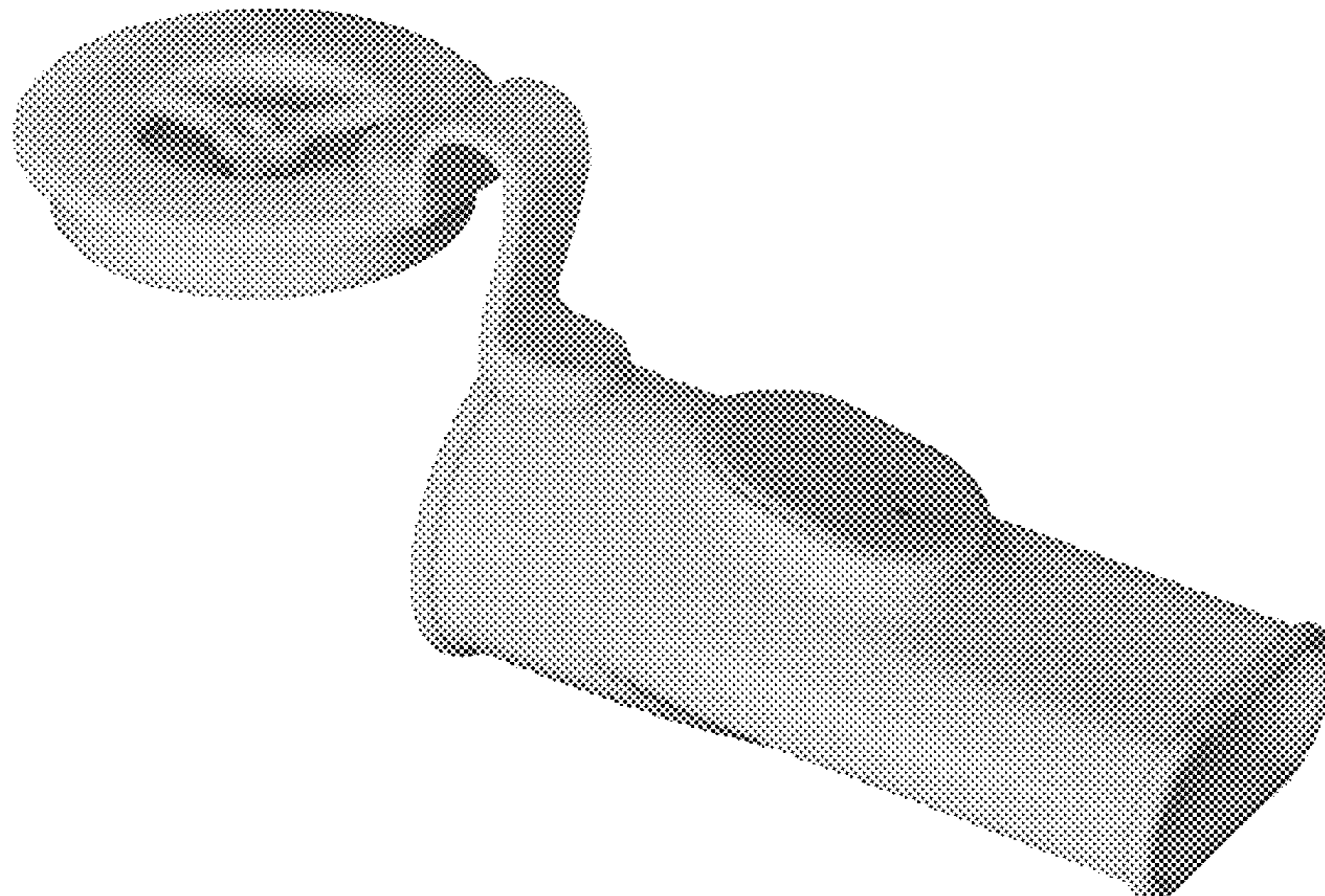


FIG.1

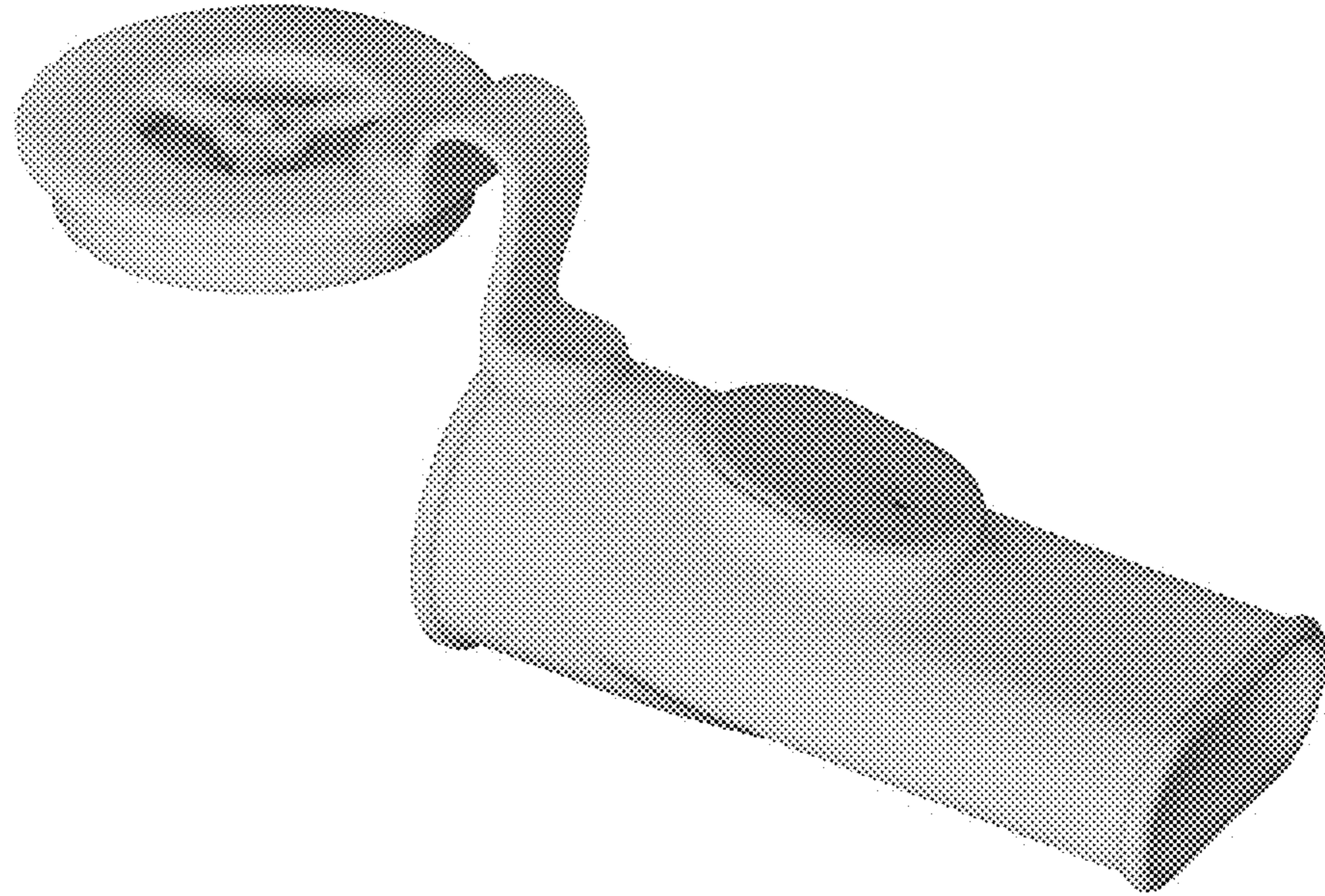


FIG.2

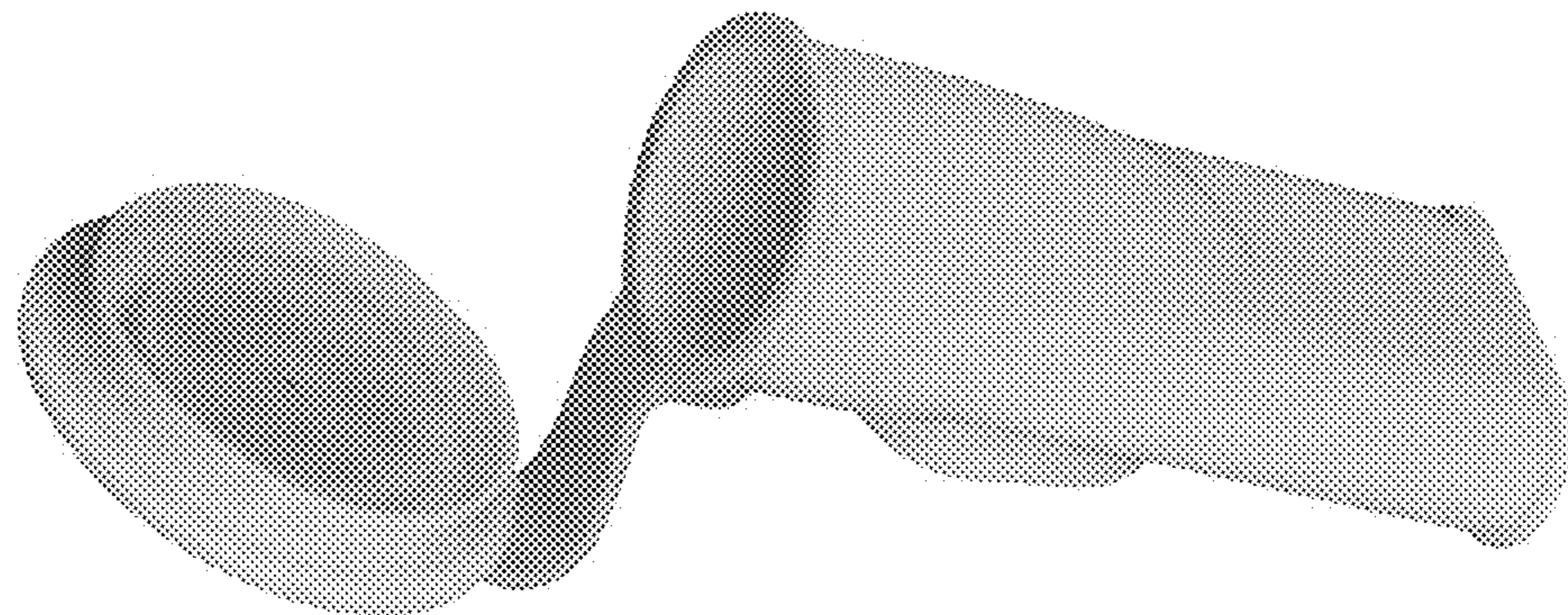


FIG.3

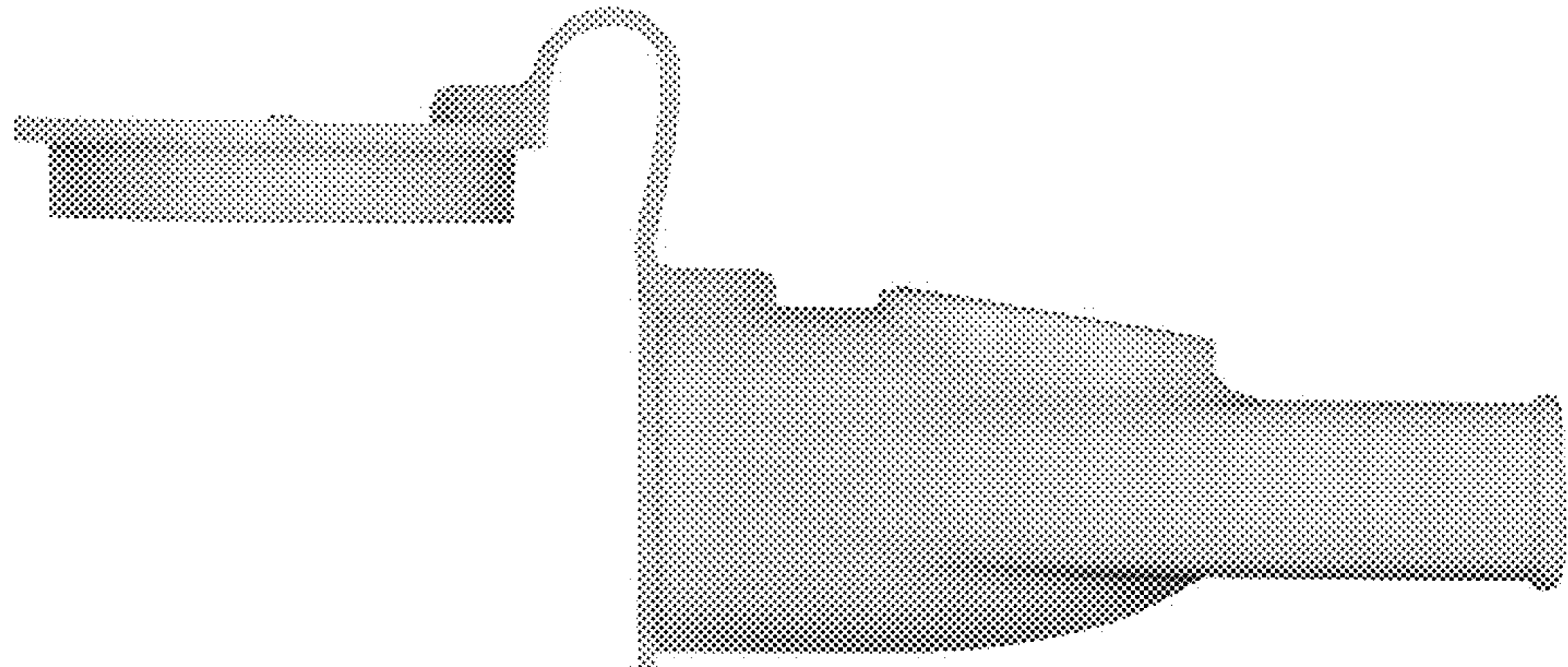


FIG.4

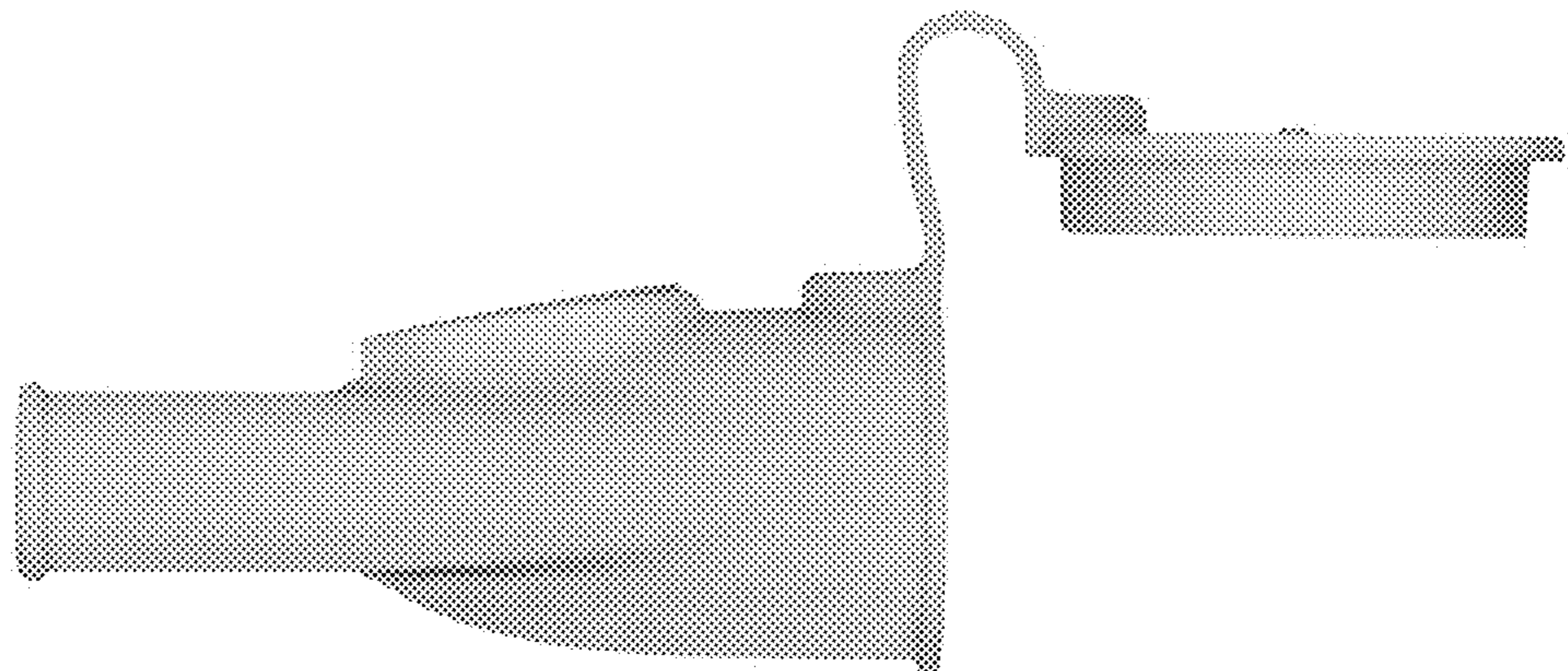


FIG.5

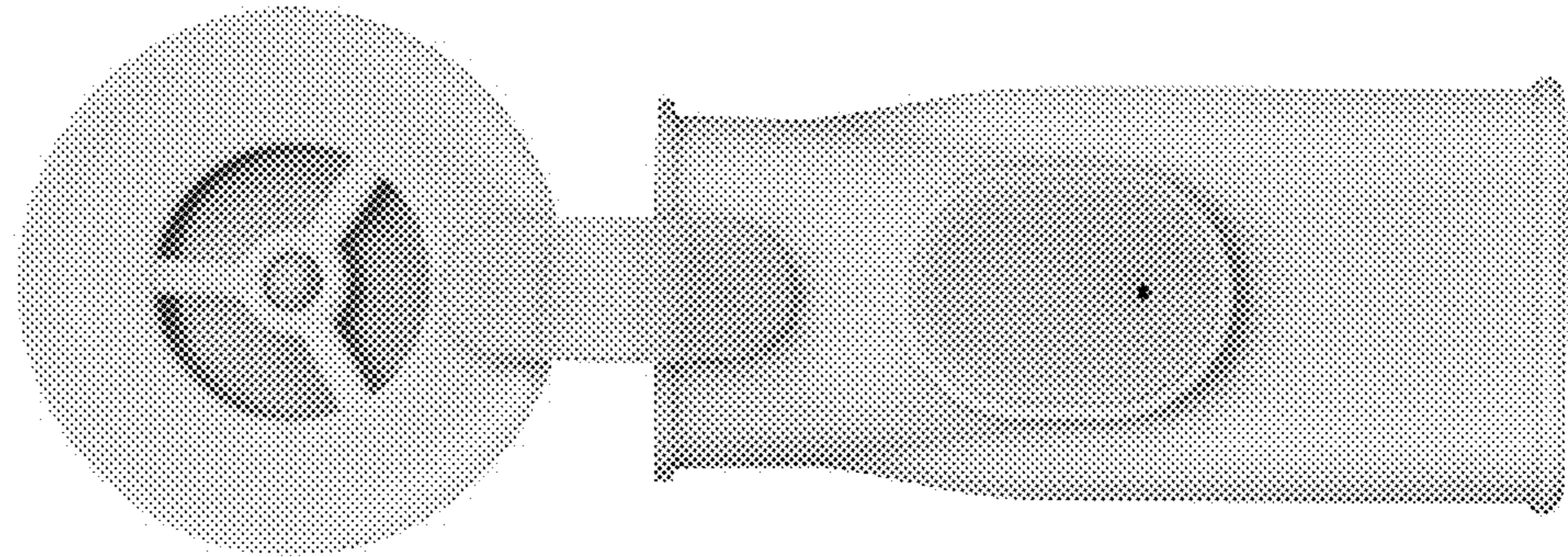


FIG.6

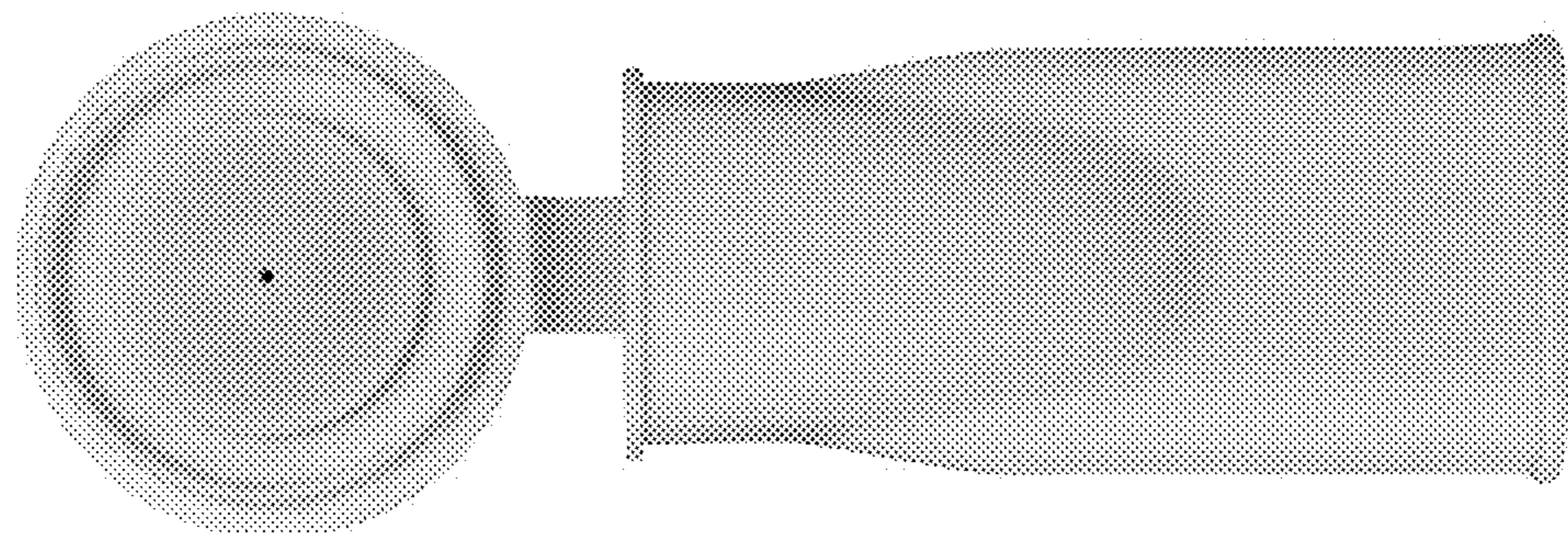


FIG.7

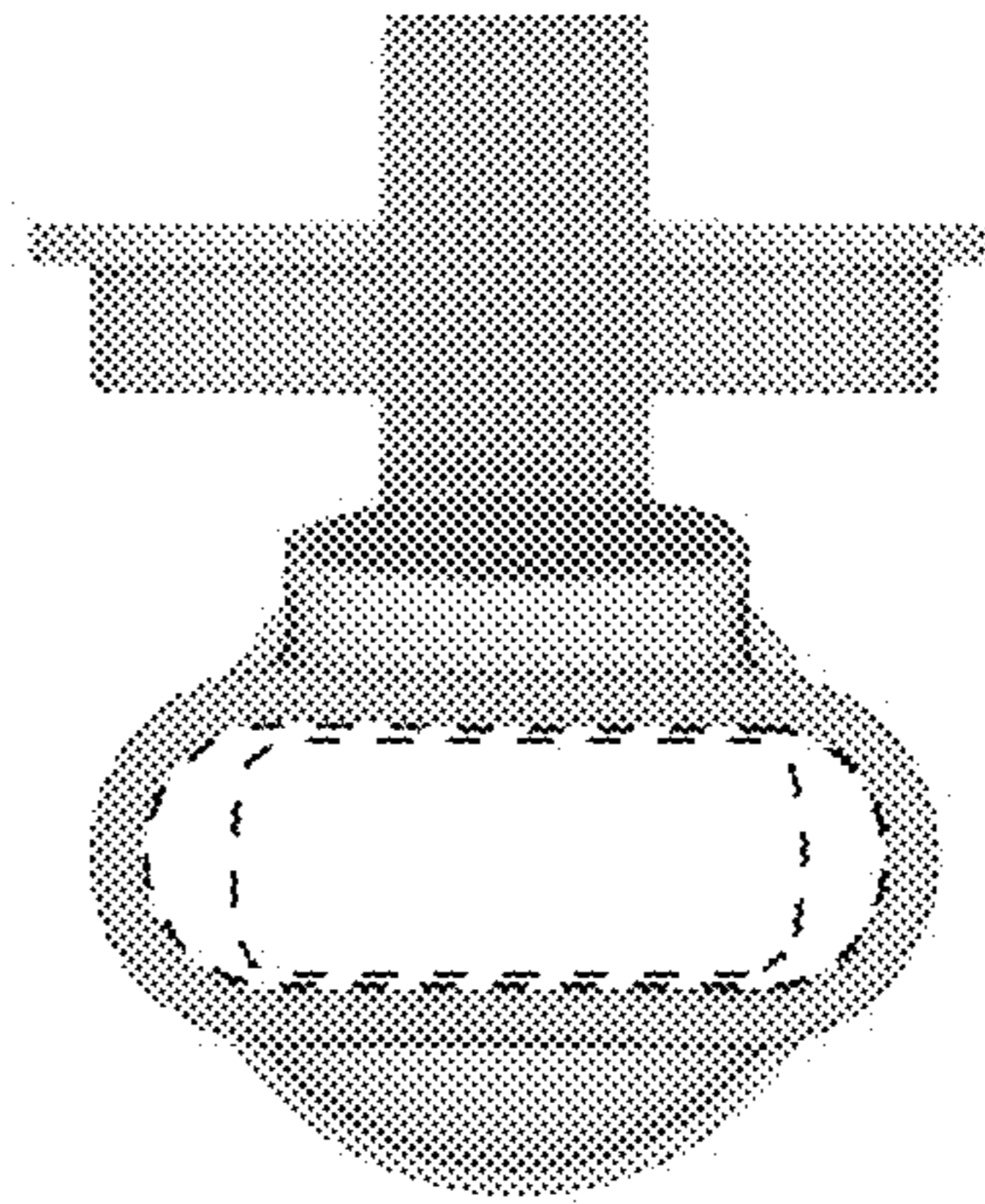


FIG.8

