



US00D988590S

(12) **United States Design Patent** (10) **Patent No.:** **US D988,590 S**
Liu (45) **Date of Patent:** **** Jun. 6, 2023**

(54) **HEATING CUP FOR AN ELECTRONIC CIGARETTE**

(71) Applicant: **Shenzhen Eigate Technology Co., Ltd.**, Shenzhen (CN)

(72) Inventor: **Tuanfang Liu**, Shenzhen (CN)

(73) Assignee: **ASPIRE NORTH AMERICA LLC**, Los Angeles, CA (US)

(**) Term: **15 Years**

(21) Appl. No.: **29/801,632**

(22) Filed: **Jul. 29, 2021**

(30) **Foreign Application Priority Data**

Feb. 1, 2021 (CN) 202130073003.9

(51) **LOC (14) Cl.** **27-02**

(52) **U.S. Cl.**
USPC **D27/167**

(58) **Field of Classification Search**
USPC D27/101, 162-165, 167, 169, 172, 180,
D27/183, 194; D23/360; D9/516, 544,
D9/545, 549, 562, 575
CPC A24F 40/00; A24F 40/10; A24F 40/20;
A24F 40/40; A24F 40/42
See application file for complete search history.

(56) **References Cited**

U.S. PATENT DOCUMENTS

D370,300 S * 5/1996 Gottvald D7/603
D677,427 S * 3/2013 Ross D27/167
D743,622 S * 11/2015 Alima D27/167
D795,495 S * 8/2017 Li D27/100
D804,093 S * 11/2017 Chen D27/194
D814,105 S * 3/2018 Eng D27/167
D824,494 S * 7/2018 Martins D23/261

D855,882 S * 8/2019 Flood D27/194
D912,798 S * 3/2021 Oura D23/366
D918,050 S * 5/2021 Smith D9/414
D926,404 S * 7/2021 Luo D32/23
D927,304 S * 8/2021 Lingle D9/454
D928,397 S * 8/2021 Liu D27/162
D943,169 S * 2/2022 Houkal D27/162
D943,815 S * 2/2022 Liu D27/162
D955,631 S * 6/2022 Ou D27/162

OTHER PUBLICATIONS

Planter By: Stewart found on Amazon (Oct. 20, 2022) https://www.amazon.co.uk/Stewart-Corinthian-Low-Planter-45cm/dp/B005HVQ72C/ref=sr_1_7?crd=25KUQTRGALJ3O&keywords=round%2Bplanter&qid=1666313604&qu= (Aug. 1, 2011).*

* cited by examiner

Primary Examiner — Rebecca Tsehaye

(74) *Attorney, Agent, or Firm* — Matthias Scholl P.C.; Matthias Scholl

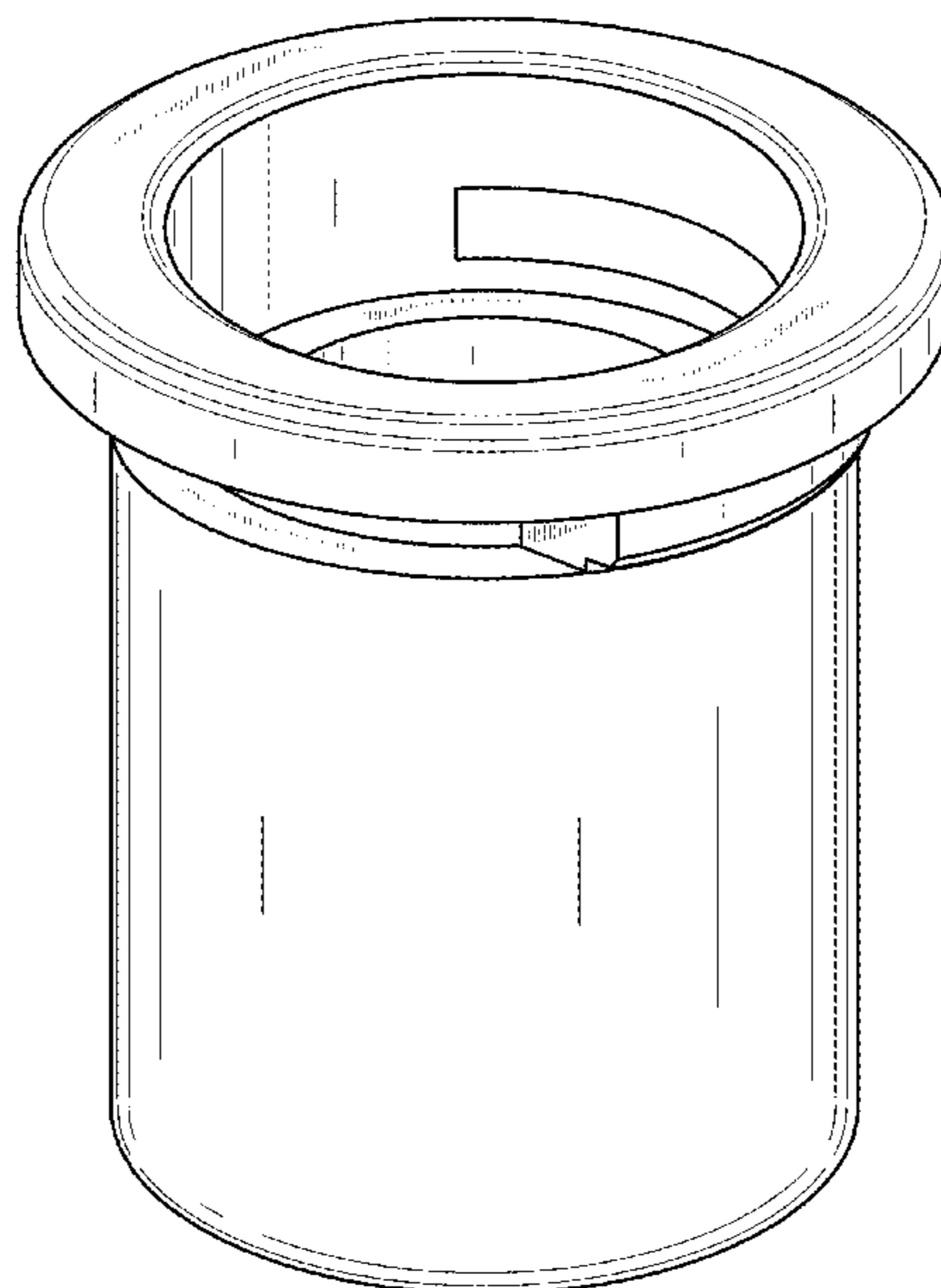
(57) **CLAIM**

The ornamental design for a heating cup for an electronic cigarette, as shown and described.

DESCRIPTION

FIG. 1 is a front elevation view of a heating cup for an electronic cigarette, showing my new design;
FIG. 2 is a rear elevation view thereof;
FIG. 3 is a left-side elevation view thereof;
FIG. 4 is a right-side elevation view thereof;
FIG. 5 is a top plan view thereof;
FIG. 6 is a bottom plan view thereof; and,
FIG. 7 is a perspective view thereof.
The broken lines in the drawings depict portions of the heating cup for an electronic cigarette that form no part of the claimed design.

1 Claim, 7 Drawing Sheets



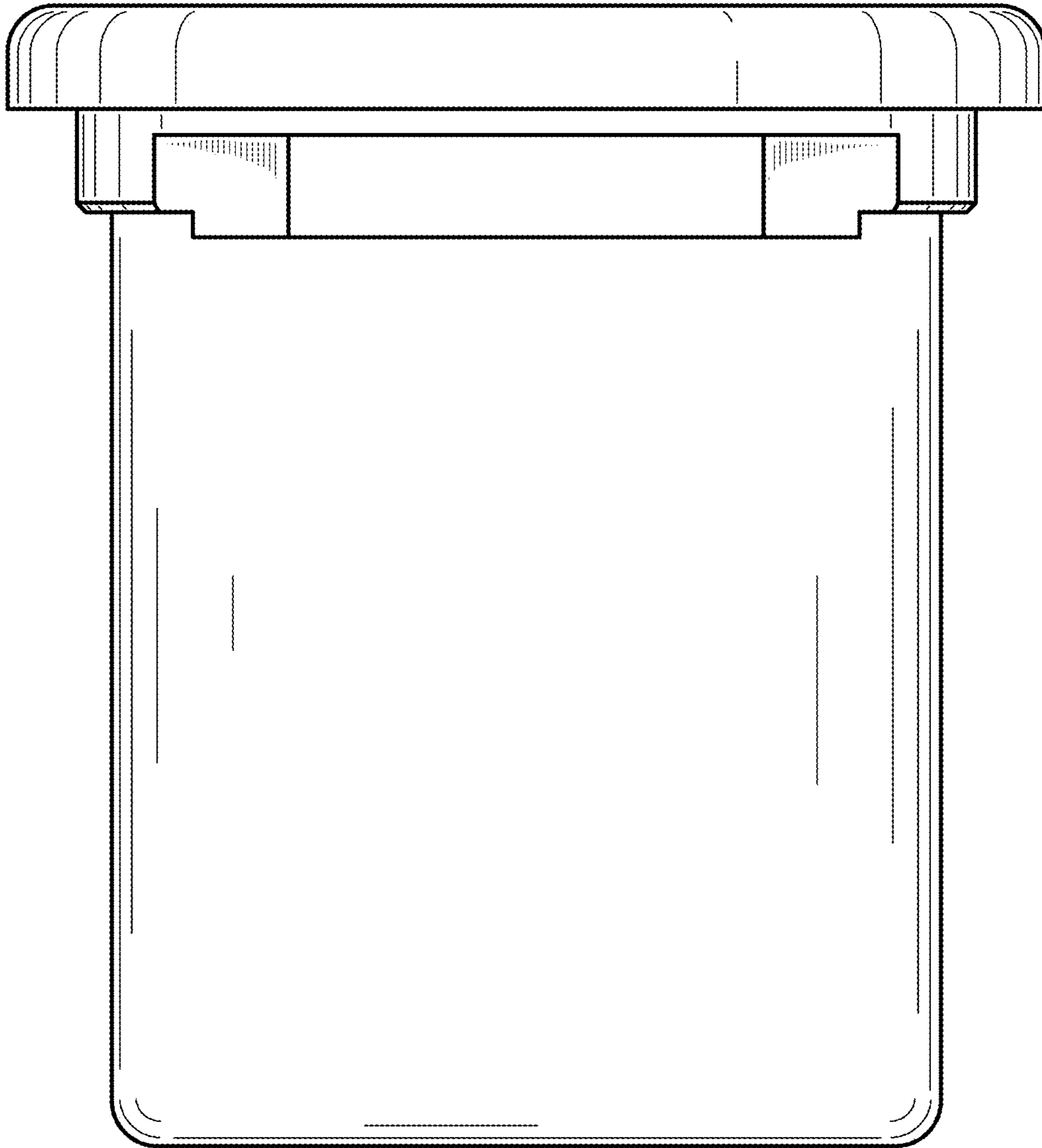


FIG. 1

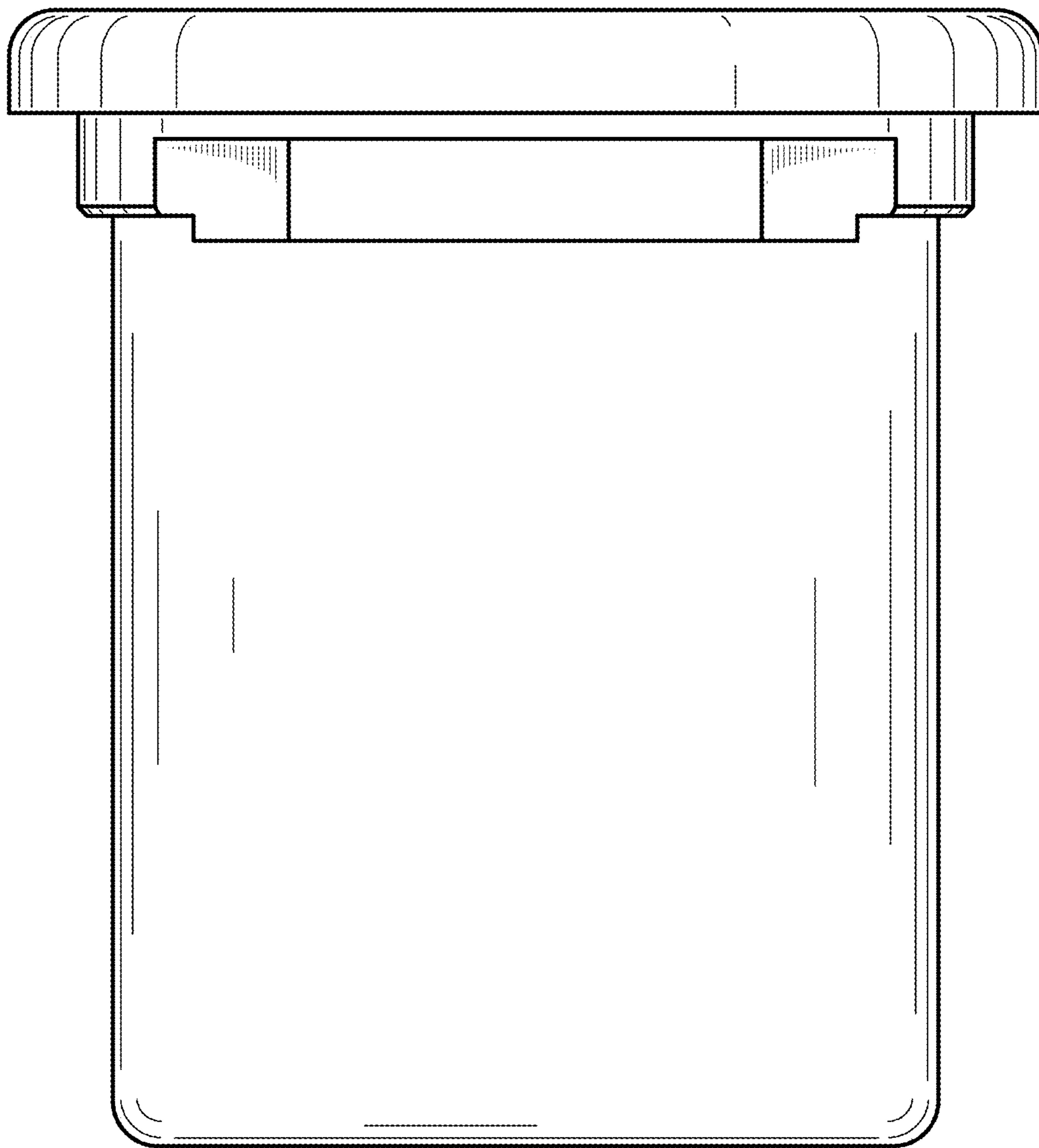


FIG. 2

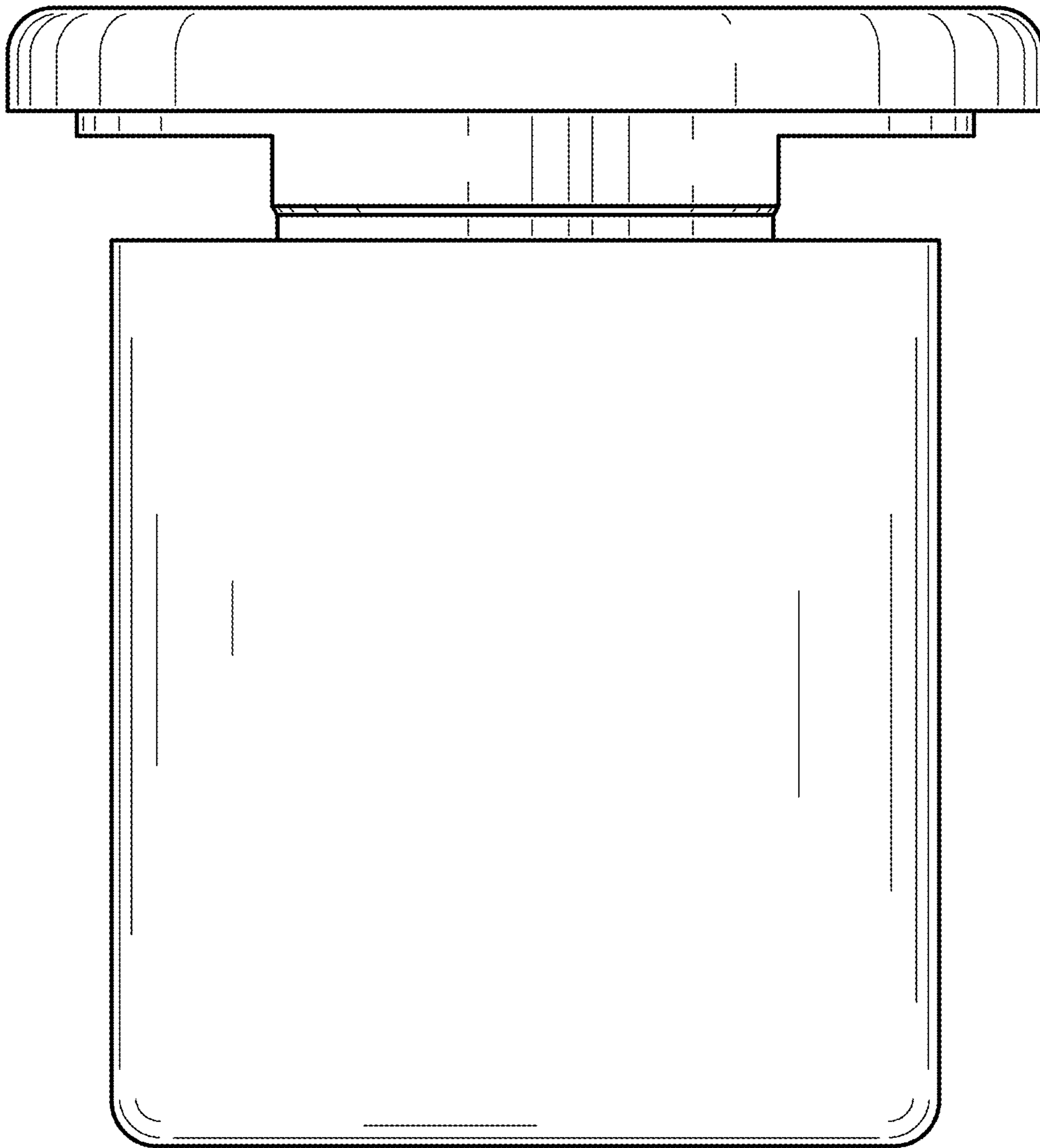


FIG. 3

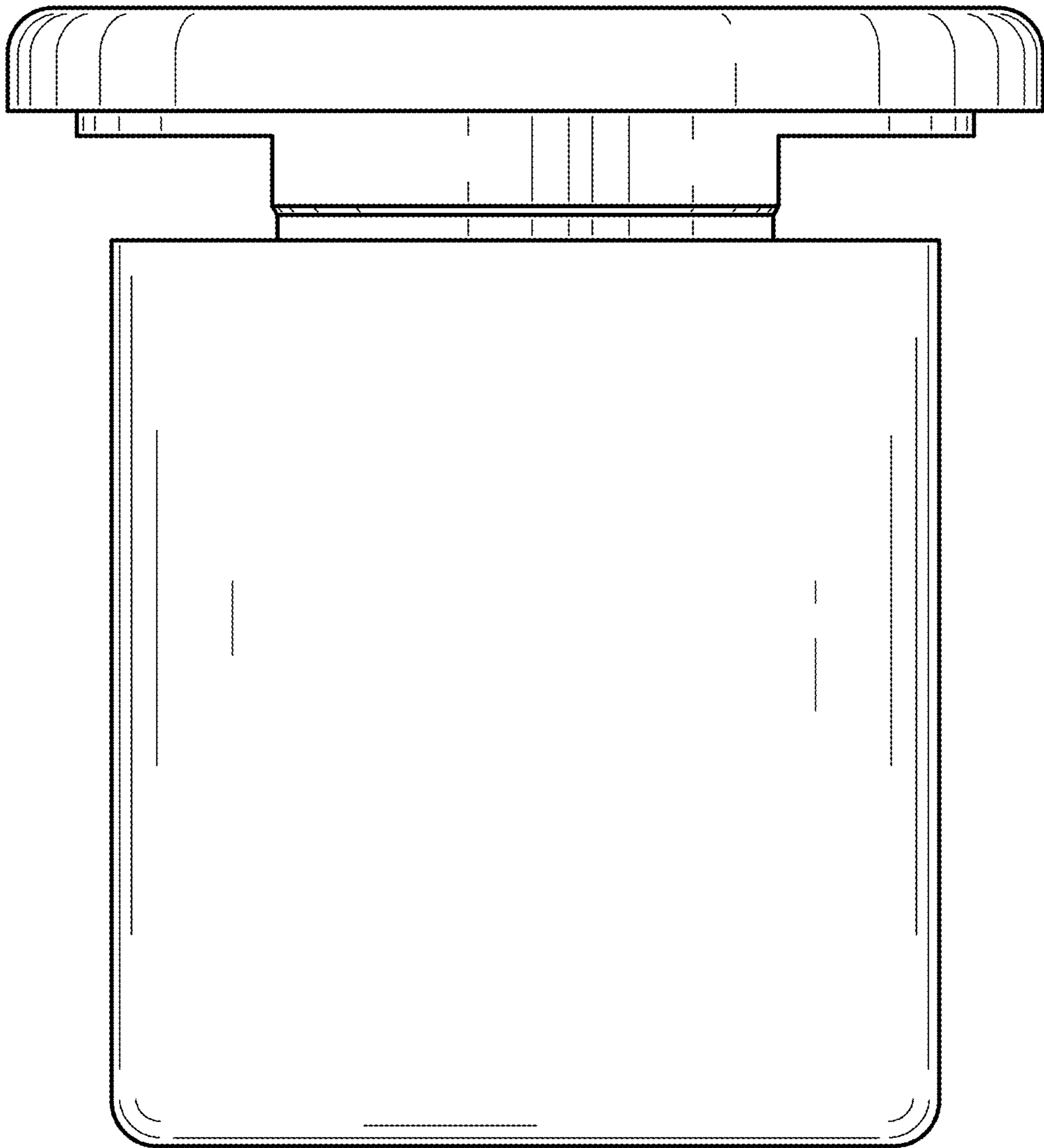


FIG. 4

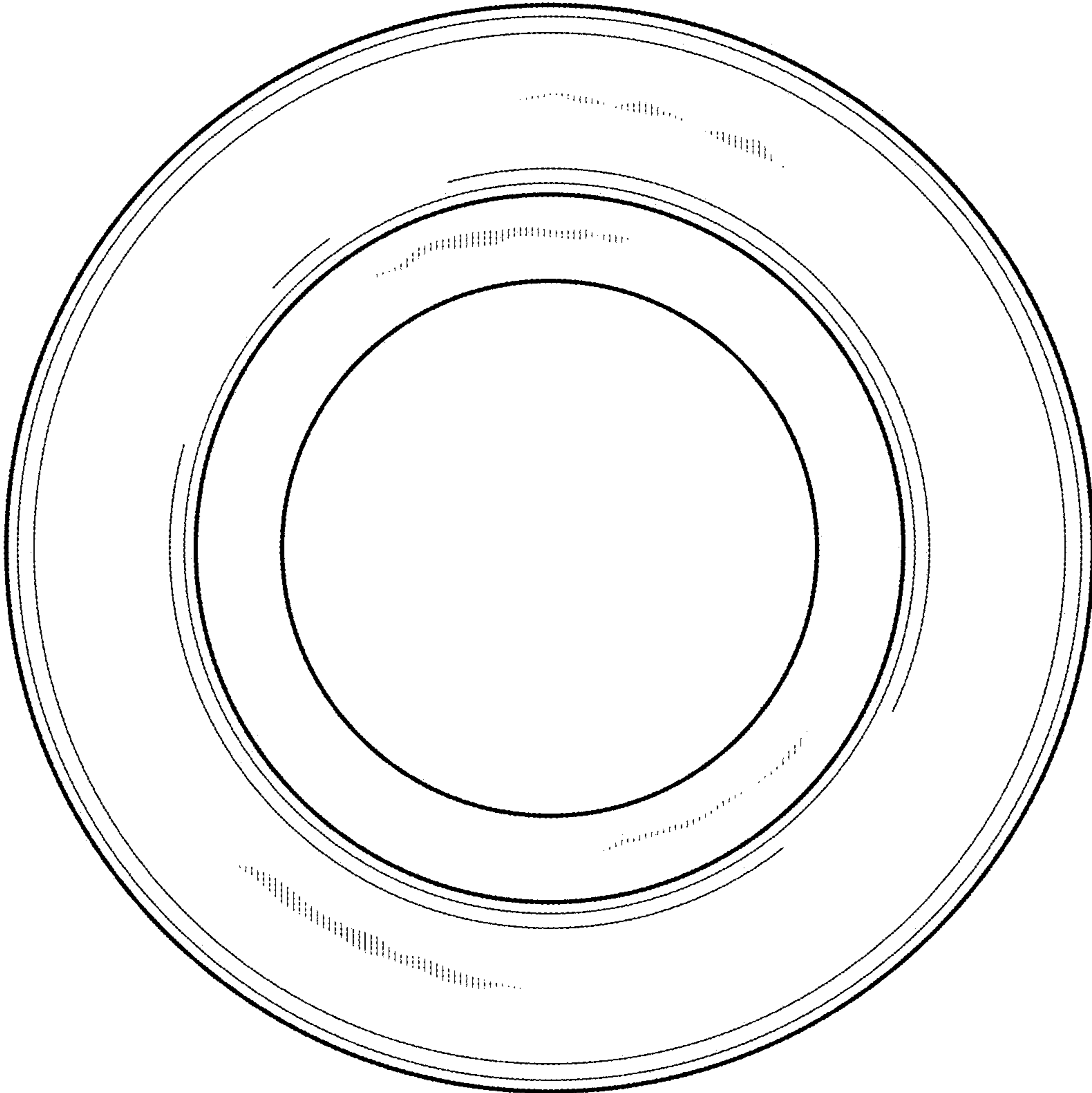


FIG. 5

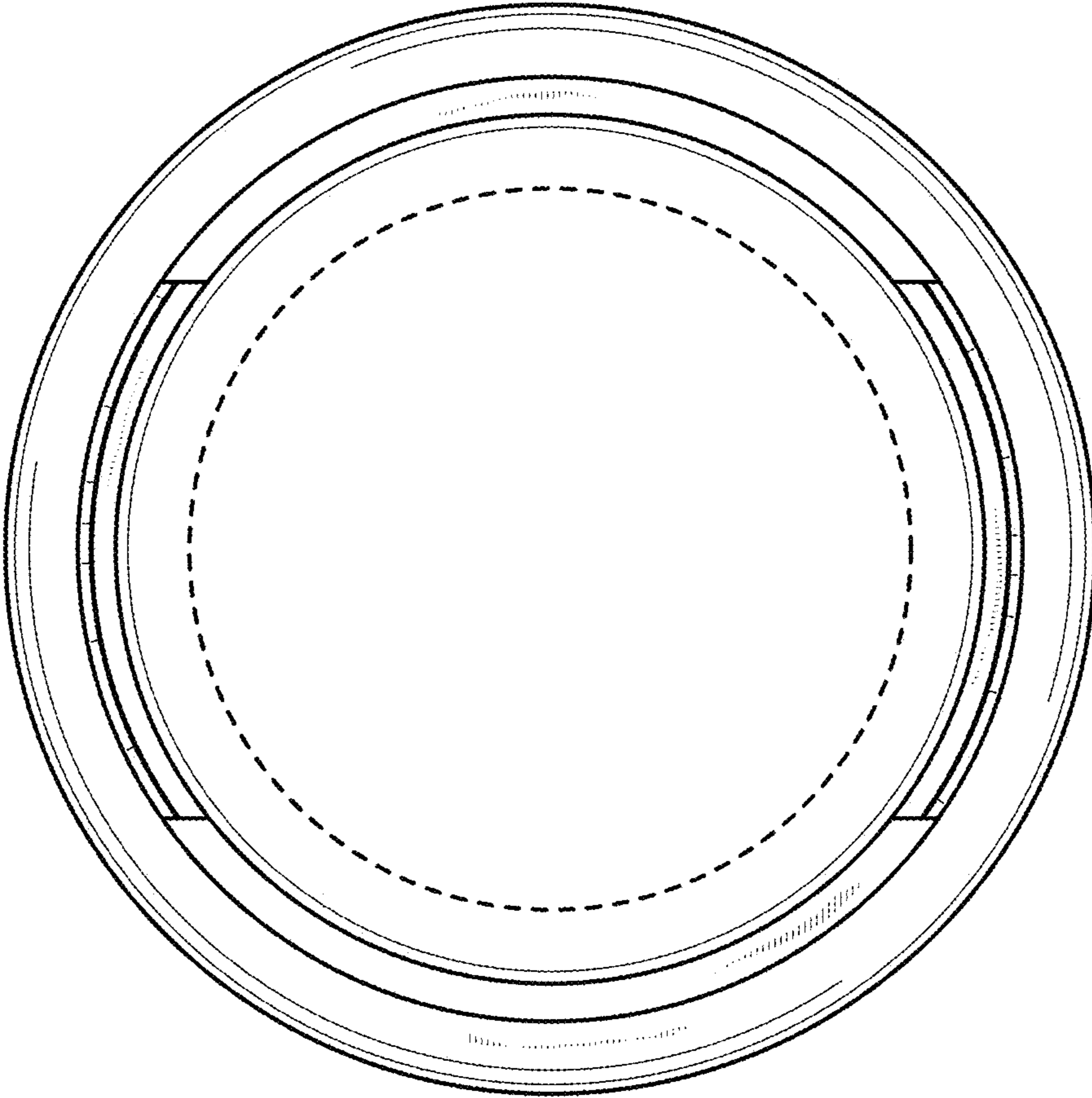


FIG. 6

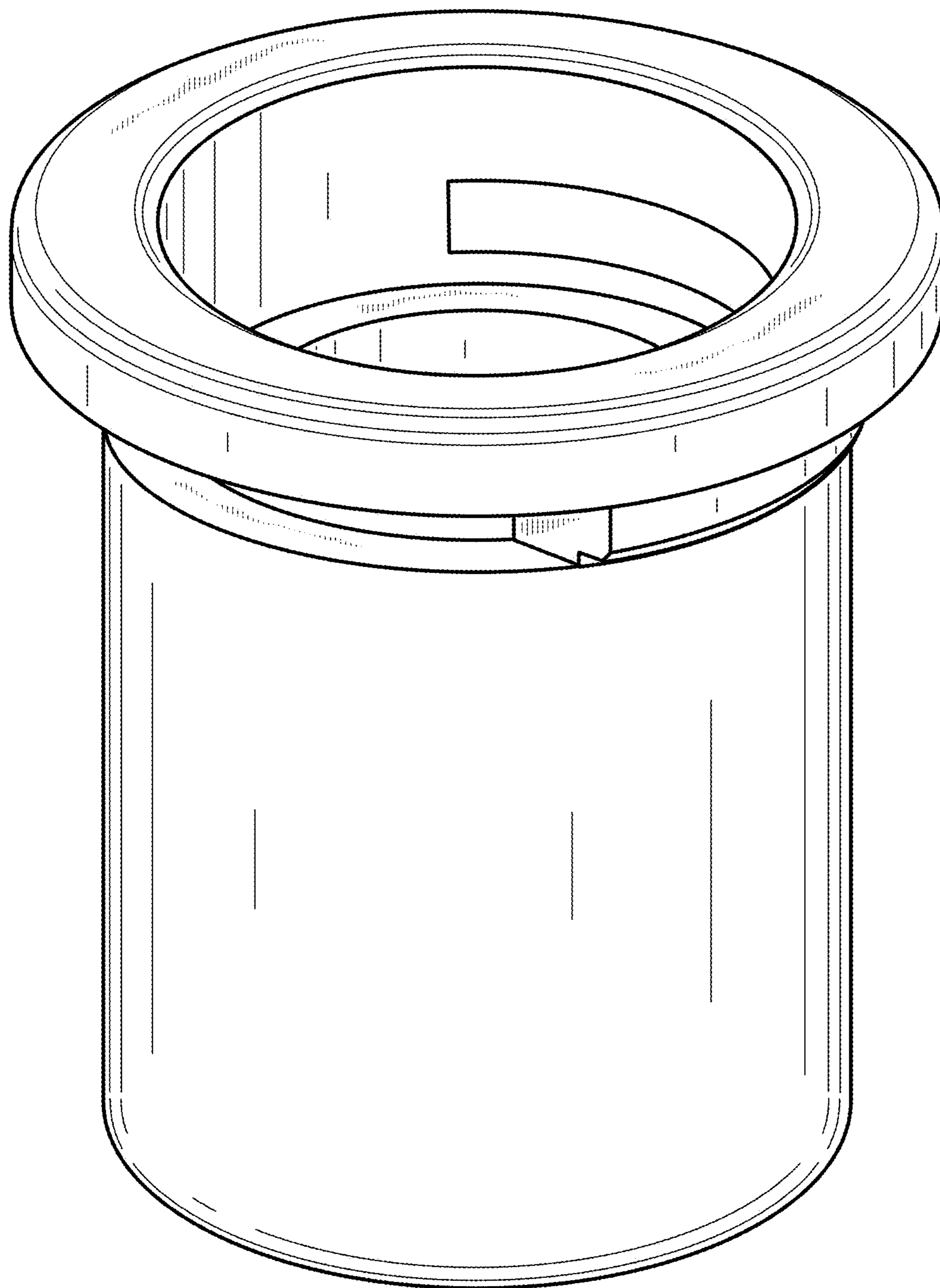


FIG. 7