



US00D988588S

(12) **United States Design Patent**
Ge

(10) **Patent No.:** **US D988,588 S**

(45) **Date of Patent:** **** Jun. 6, 2023**

(54) **HOOKAH**

(71) Applicant: **Haifeng Ge**, Zhejiang (CN)

(72) Inventor: **Haifeng Ge**, Zhejiang (CN)

(**) Term: **15 Years**

(21) Appl. No.: **29/855,749**

(22) Filed: **Oct. 6, 2022**

(51) **LOC (14) Cl.** **27-02**

(52) **U.S. Cl.**
USPC **D27/162**

(58) **Field of Classification Search**
USPC D27/100, 103, 162-165, 167, 169, 172,
D27/180, 183, 194; D23/360
CPC A24F 1/30; A24F 1/02; A24F 1/00; A24F
47/008; A24F 47/002; A61M 11/00
See application file for complete search history.

(56) **References Cited**

U.S. PATENT DOCUMENTS

D755,439 S *	5/2016	Helou	D27/162
D816,895 S *	5/2018	Ren	D27/162
D864,473 S *	10/2019	Reimann	D27/162
D899,675 S *	10/2020	Masri	D27/162
D946,202 S	3/2022	Zouev	

D959,736 S *	8/2022	Chen	D27/162
D965,215 S *	9/2022	Chen	D27/162
11,470,876 B2 *	10/2022	Zouev	A24F 1/30

* cited by examiner

Primary Examiner — Rebecca Tsehaye
(74) *Attorney, Agent, or Firm* — Che-Yang Chen; Law Office of Michael Chen

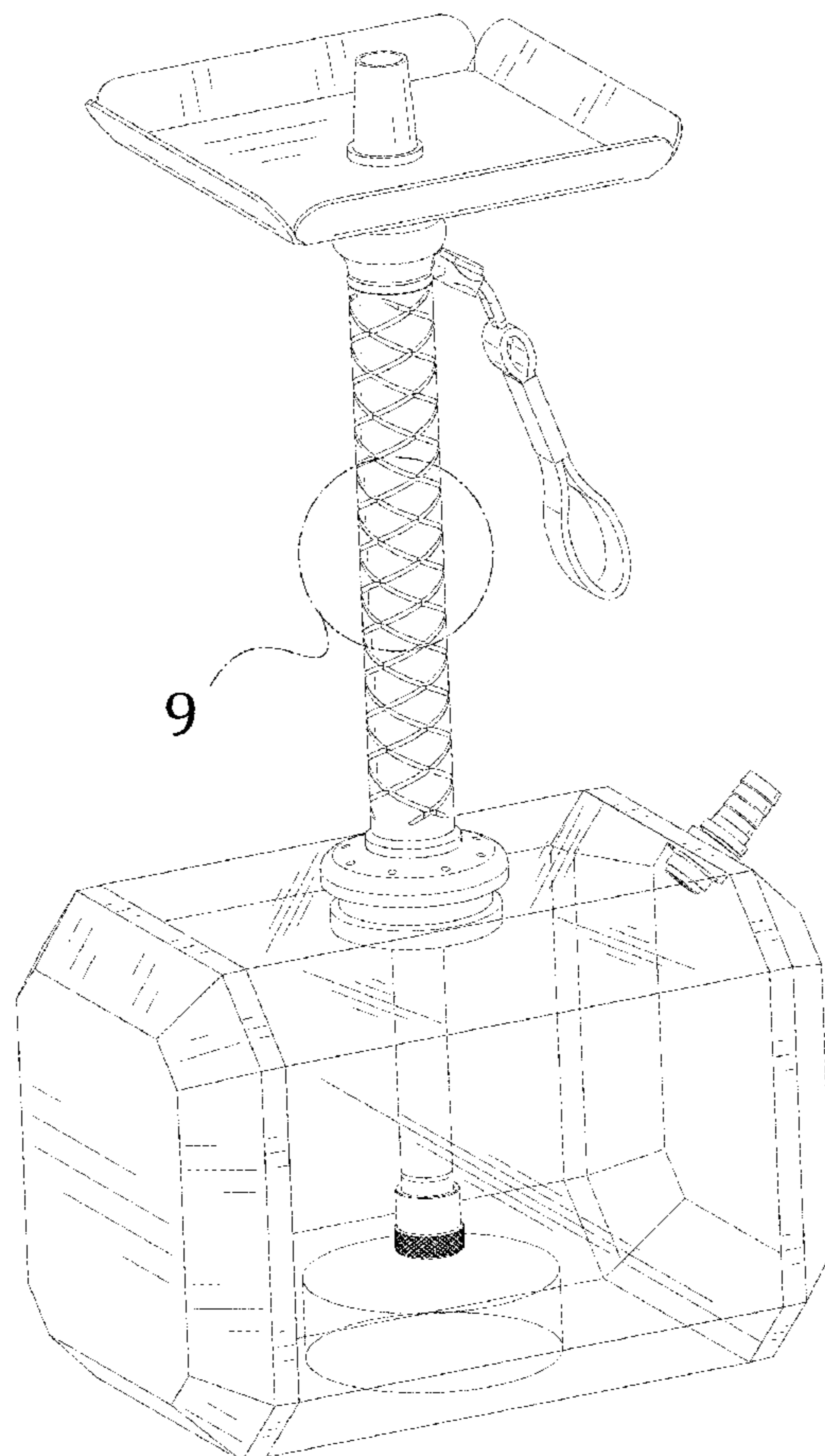
(57) **CLAIM**

The ornamental design for a hookah, as shown and described.

DESCRIPTION

FIG. 1 is a perspective view of a hookah showing my new design;
FIG. 2 is a perspective view thereof from another angle;
FIG. 3 is a front elevational view thereof;
FIG. 4 is a rear elevational view thereof;
FIG. 5 is a left side elevational view thereof;
FIG. 6 is a right side elevational view thereof;
FIG. 7 is a top plan view thereof;
FIG. 8 is a bottom plan view thereof; and,
FIG. 9 is an enlarged view of a portion indicated with numeric 9 in FIG. 1.
The dot-dash lines shown in FIGS. 1 & 9 encircling the enlarged detail views are for annotative purposes that form no part of the claimed design.

1 Claim, 9 Drawing Sheets



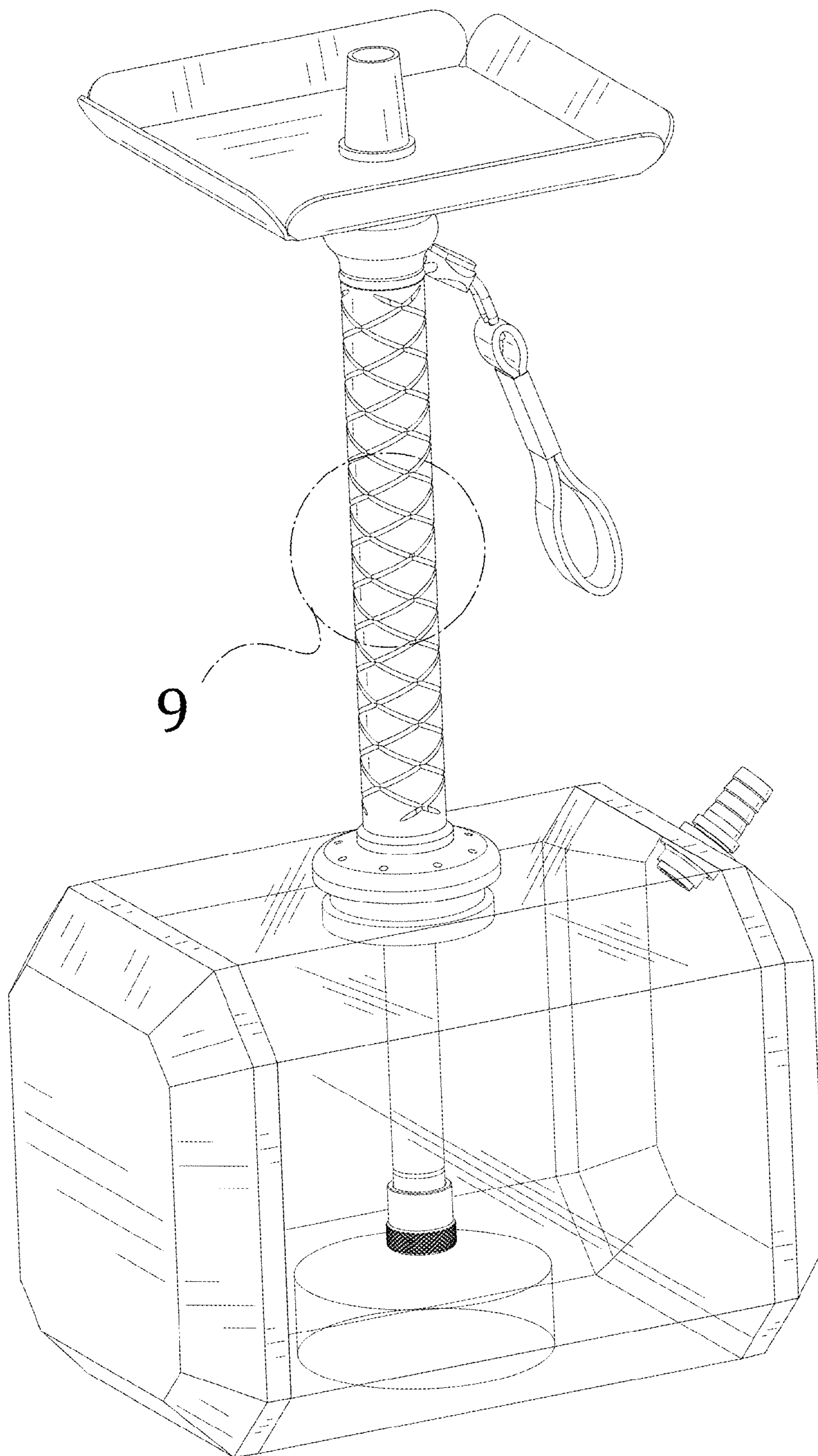


FIG. 1

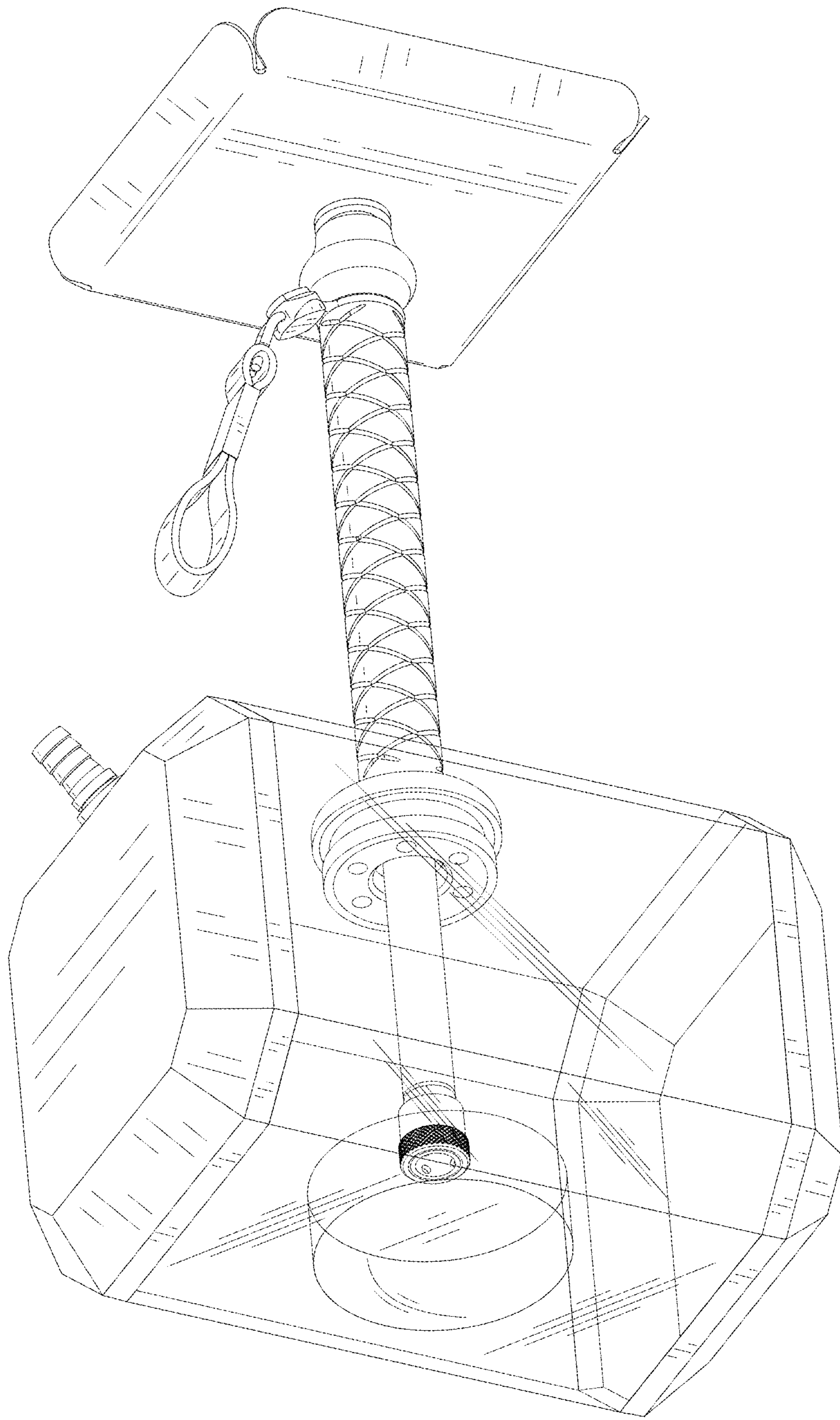


FIG. 2

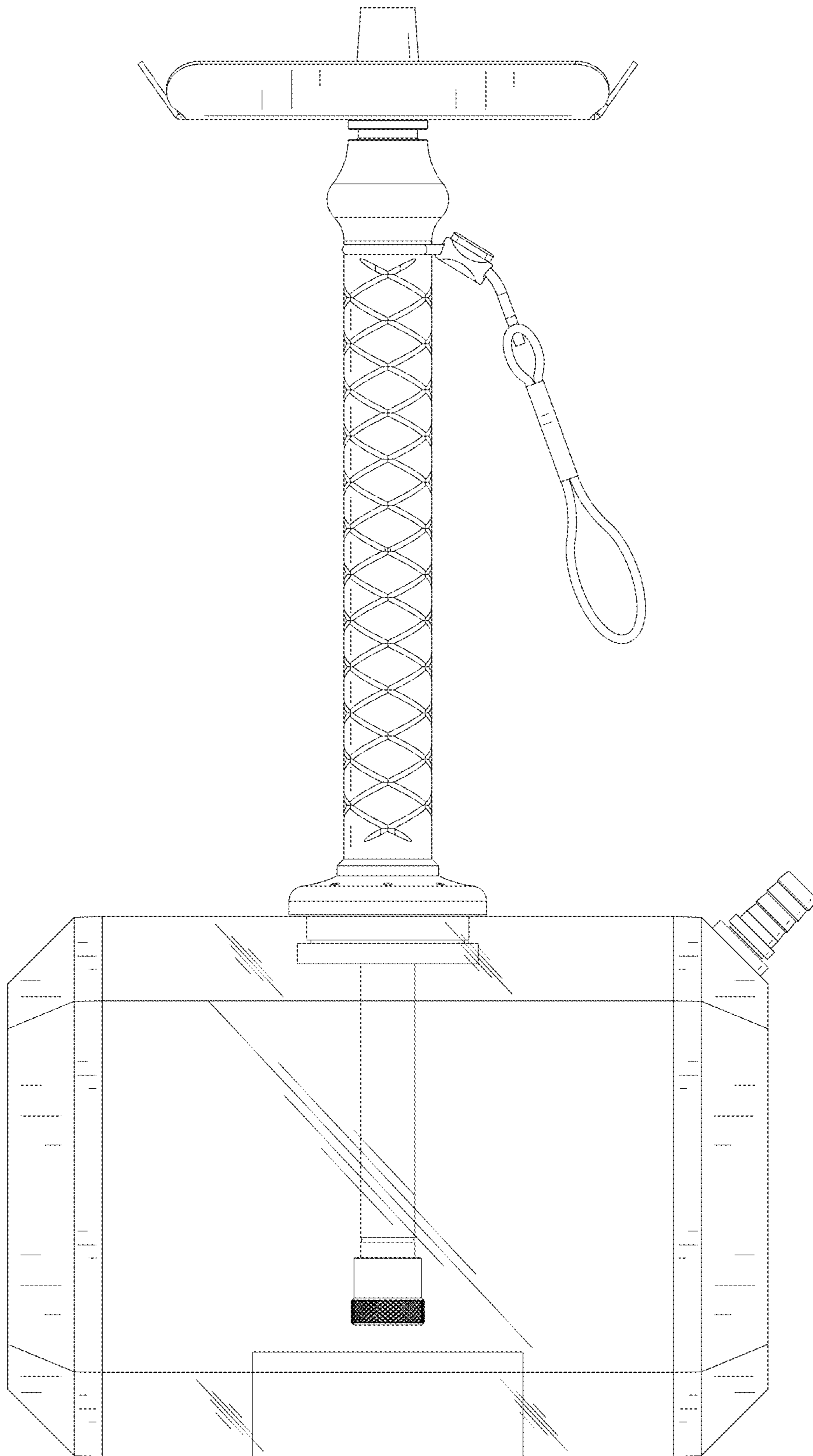


FIG. 3

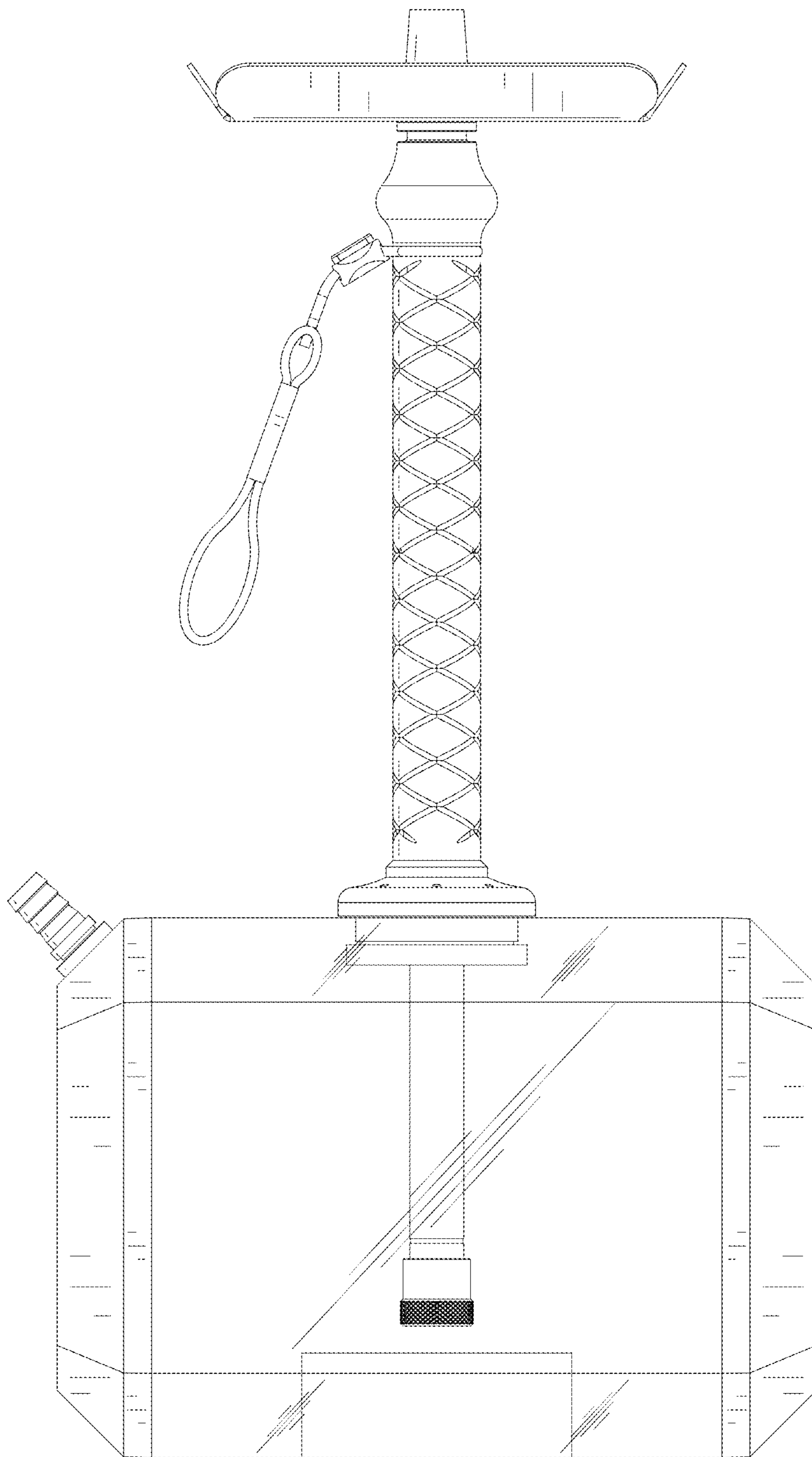


FIG. 4

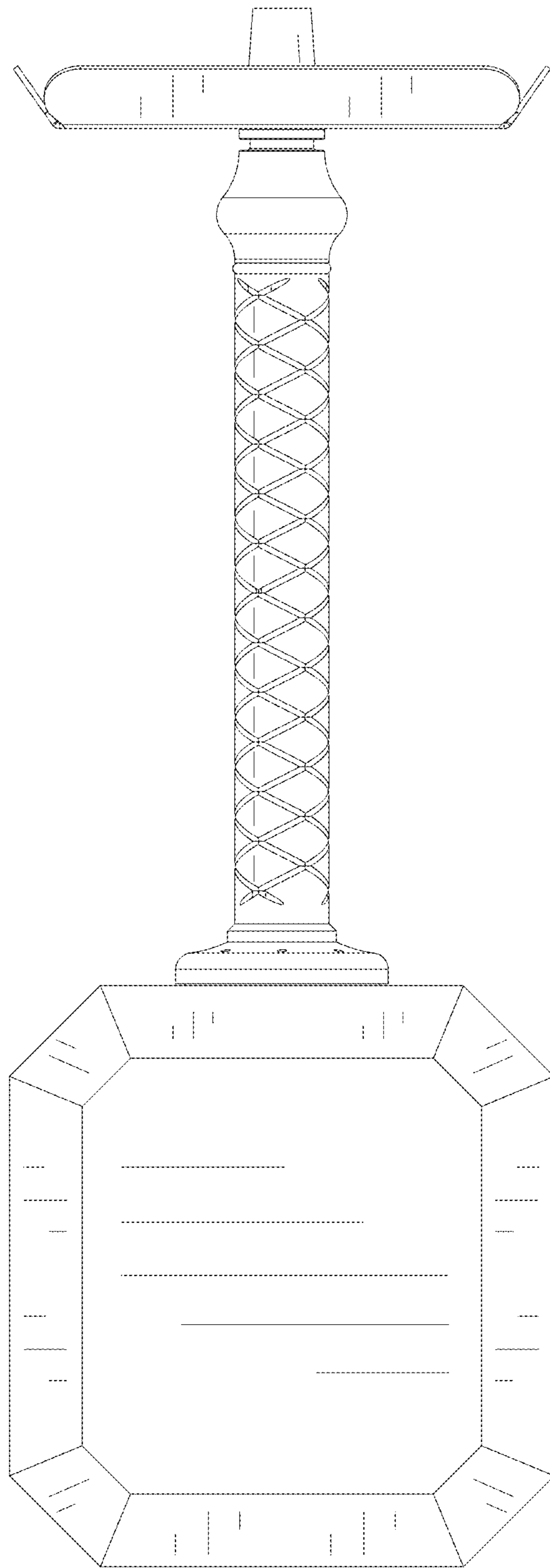


FIG. 5

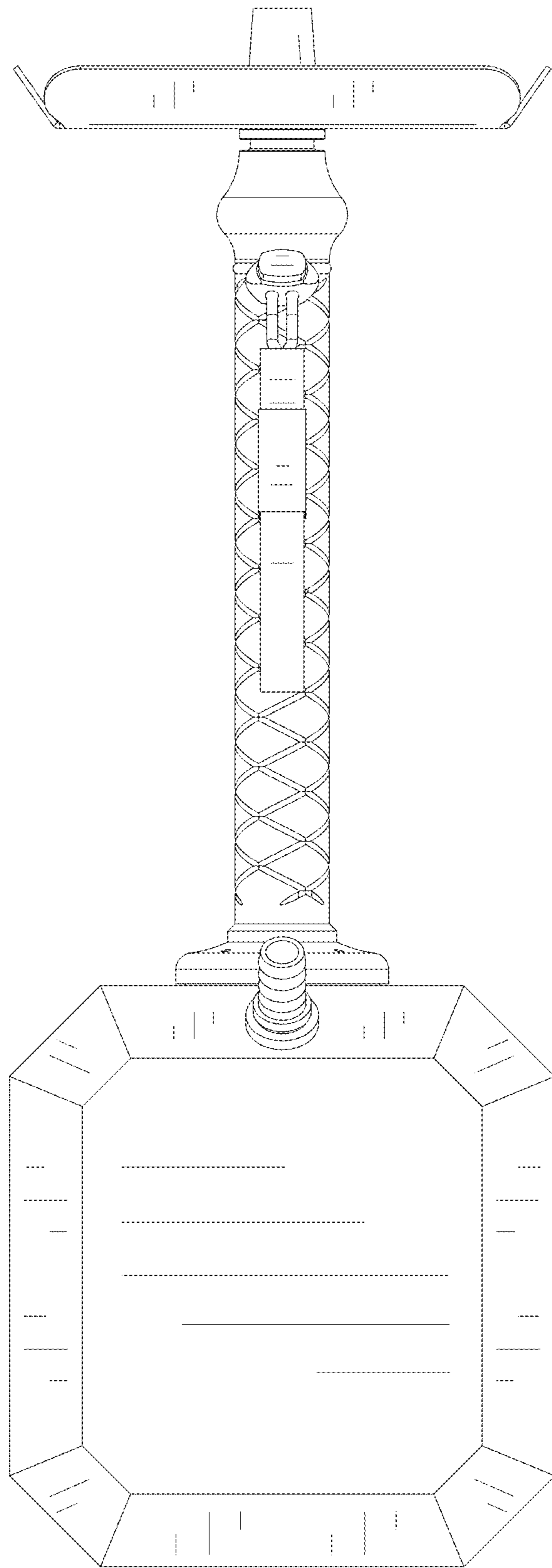


FIG. 6

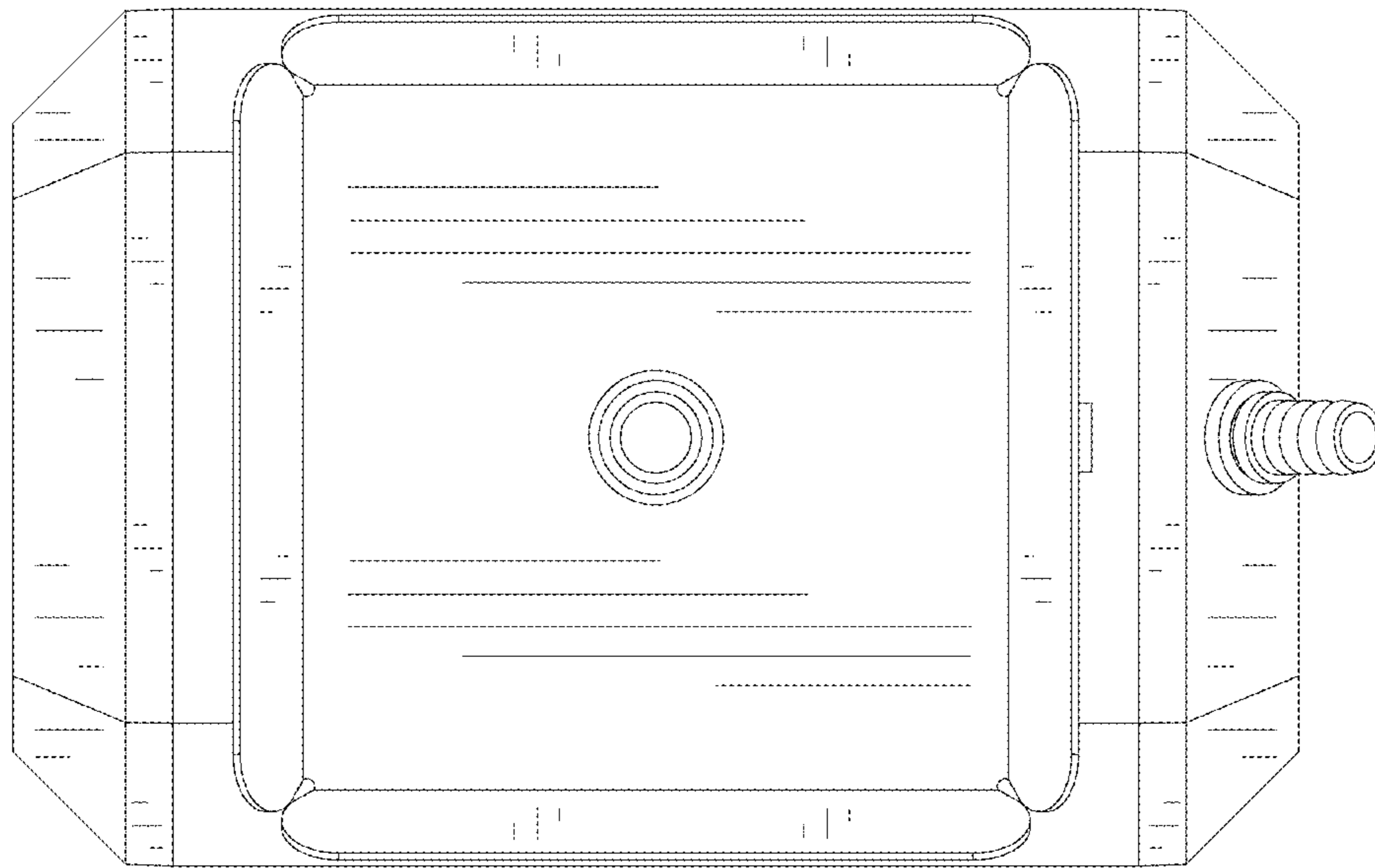


FIG. 7

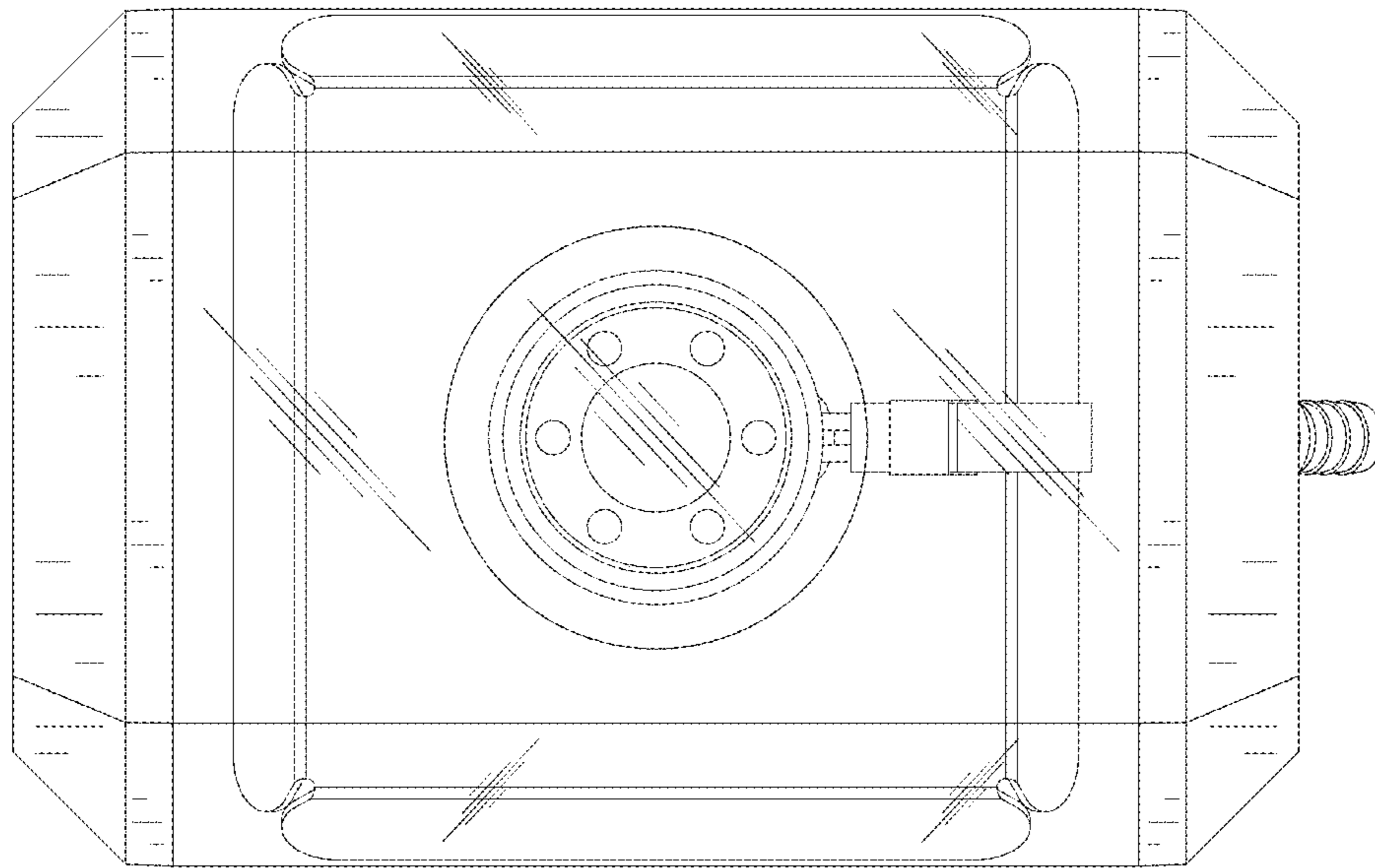


FIG. 8

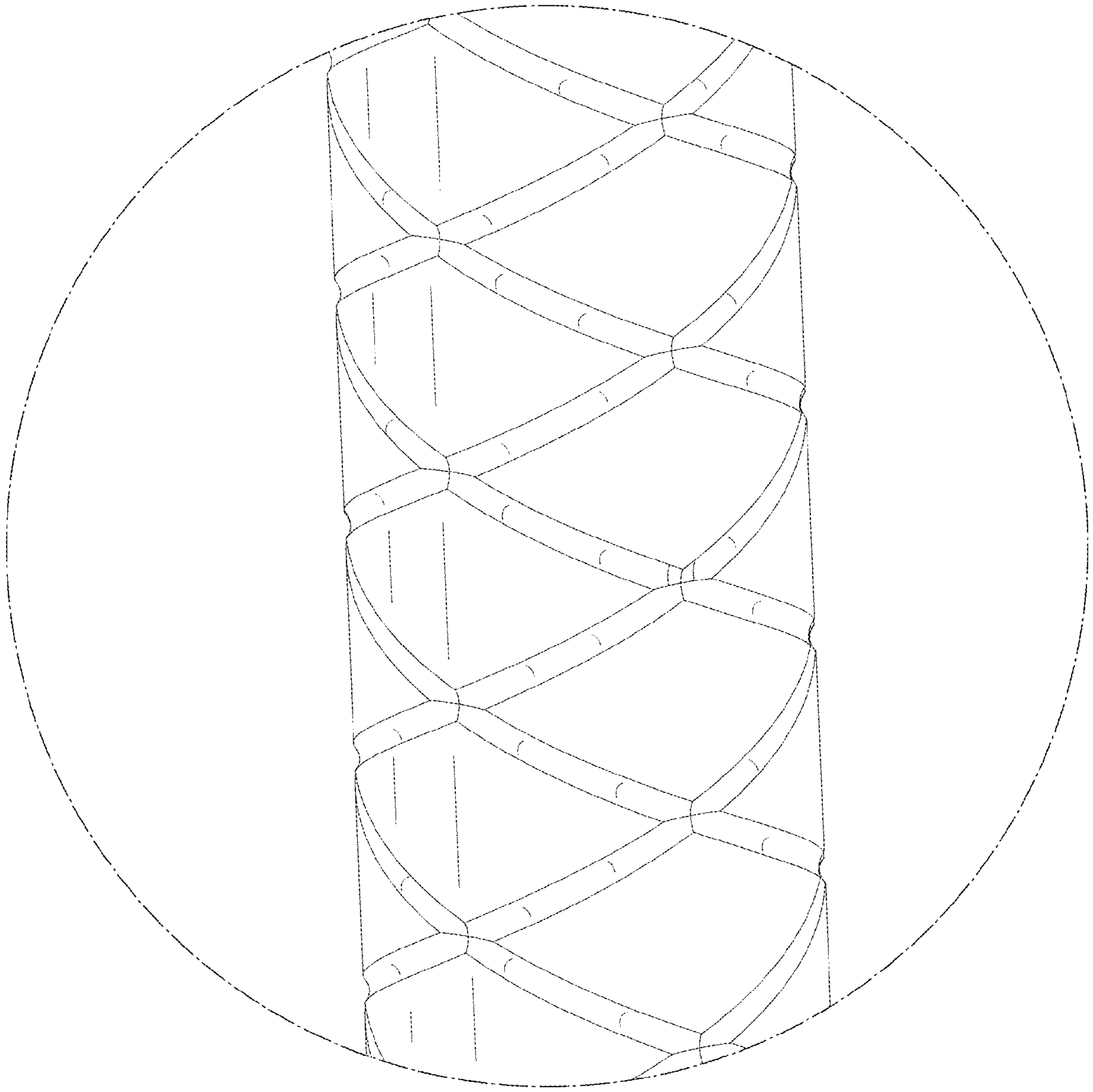


FIG. 9