



US00D988583S

(12) **United States Design Patent** (10) **Patent No.:** **US D988,583 S**
Liu (45) **Date of Patent:** **** Jun. 6, 2023**

(54) **ELECTRONIC CIGARETTE**
(71) Applicant: **Shenzhen Eigate Technology Co., Ltd.**, Shenzhen (CN)
(72) Inventor: **Tuanfang Liu**, Shenzhen (CN)
(73) Assignee: **ASPIRE NORTH AMERICA LLC**, Los Angeles, CA (US)

(**) Term: **15 Years**
(21) Appl. No.: **29/779,964**

(22) Filed: **Apr. 21, 2021**

(30) **Foreign Application Priority Data**

Oct. 25, 2020 (CN) 202030636632.3
Mar. 9, 2021 (CN) 202130127489.X

(51) **LOC (14) Cl.** **27-01**
(52) **U.S. Cl.**
USPC **D27/101**

(58) **Field of Classification Search**
USPC D27/101, 100, 162–169, 172, 180–183,
D27/185–194; D24/110, 110.5;
D13/102, 107, 118, 119; D23/360
CPC A24F 1/30; A24F 1/02; A24F 1/00; A24F
47/008; A24F 47/002
See application file for complete search history.

(56) **References Cited**

U.S. PATENT DOCUMENTS

D729,366 S * 5/2015 Kauss D23/360
D877,977 S * 3/2020 Ding D27/162

D908,281 S * 1/2021 Folkerts D27/162
D910,911 S * 2/2021 Kim D27/162
D936,567 S * 11/2021 Wang D13/103
D949,310 S * 4/2022 Bajpai D23/360
D950,840 S * 5/2022 Michaud D27/162
D960,435 S * 8/2022 Liu D27/162
D960,828 S * 8/2022 Mahdavi D27/162
D969,398 S * 11/2022 Liu D27/162

* cited by examiner

Primary Examiner — Rebecca Tsehaye
(74) *Attorney, Agent, or Firm* — Matthias Scholl P.C.;
Matthias Scholl

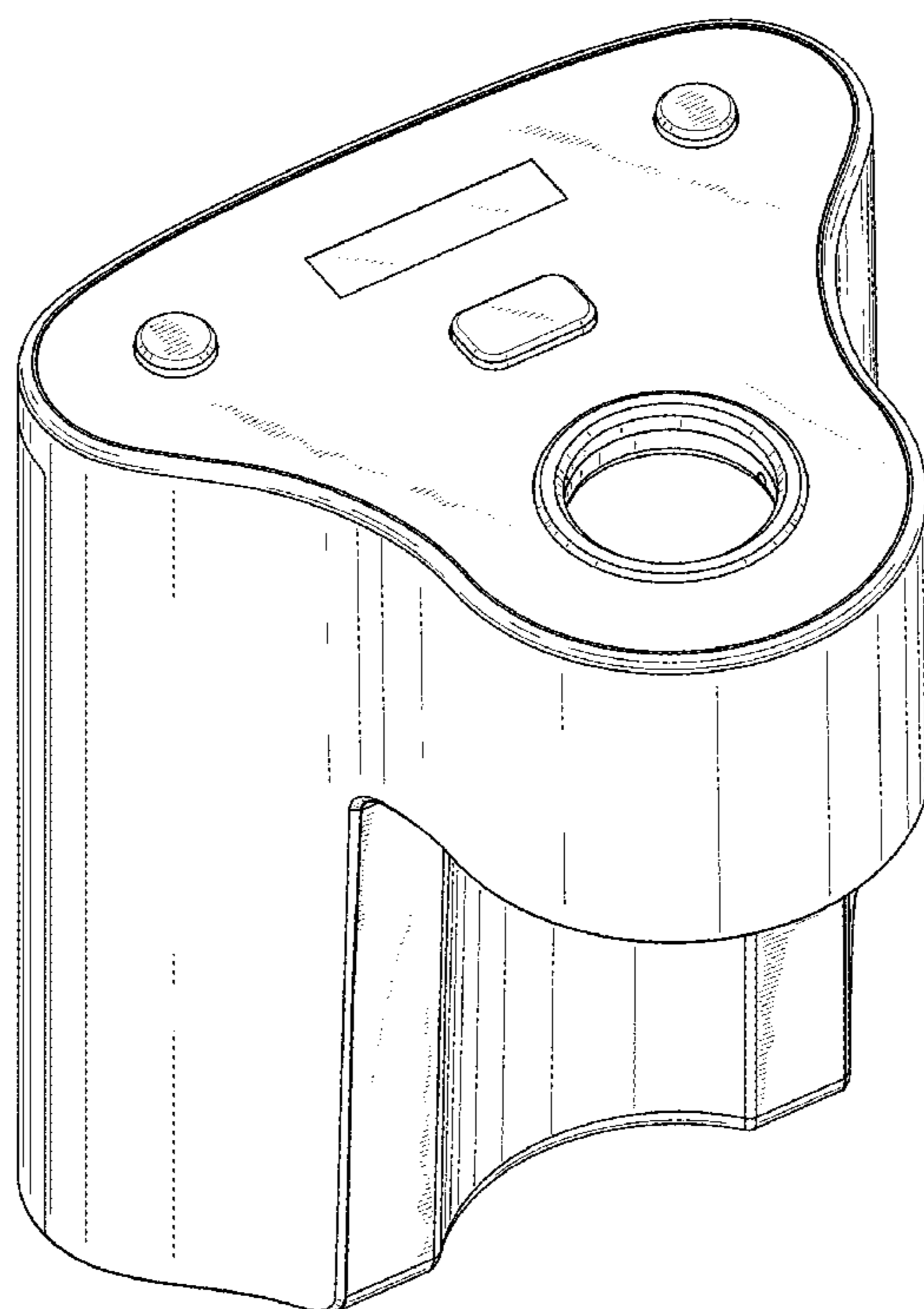
(57) **CLAIM**

The ornamental design for an electronic cigarette, as shown and described.

DESCRIPTION

FIG. 1 is a front elevation view of an electronic cigarette, showing my new design;
FIG. 2 is a rear elevation view thereof;
FIG. 3 is a left-side elevation view thereof;
FIG. 4 is a right-side elevation view thereof;
FIG. 5 is a top plan view thereof;
FIG. 6 is a bottom plan view thereof;
FIG. 7 is a top perspective view thereof; and,
FIG. 8 is a bottom perspective view thereof.
The broken lines depict portions of the electronic cigarette that form no part of the claimed design.

1 Claim, 8 Drawing Sheets



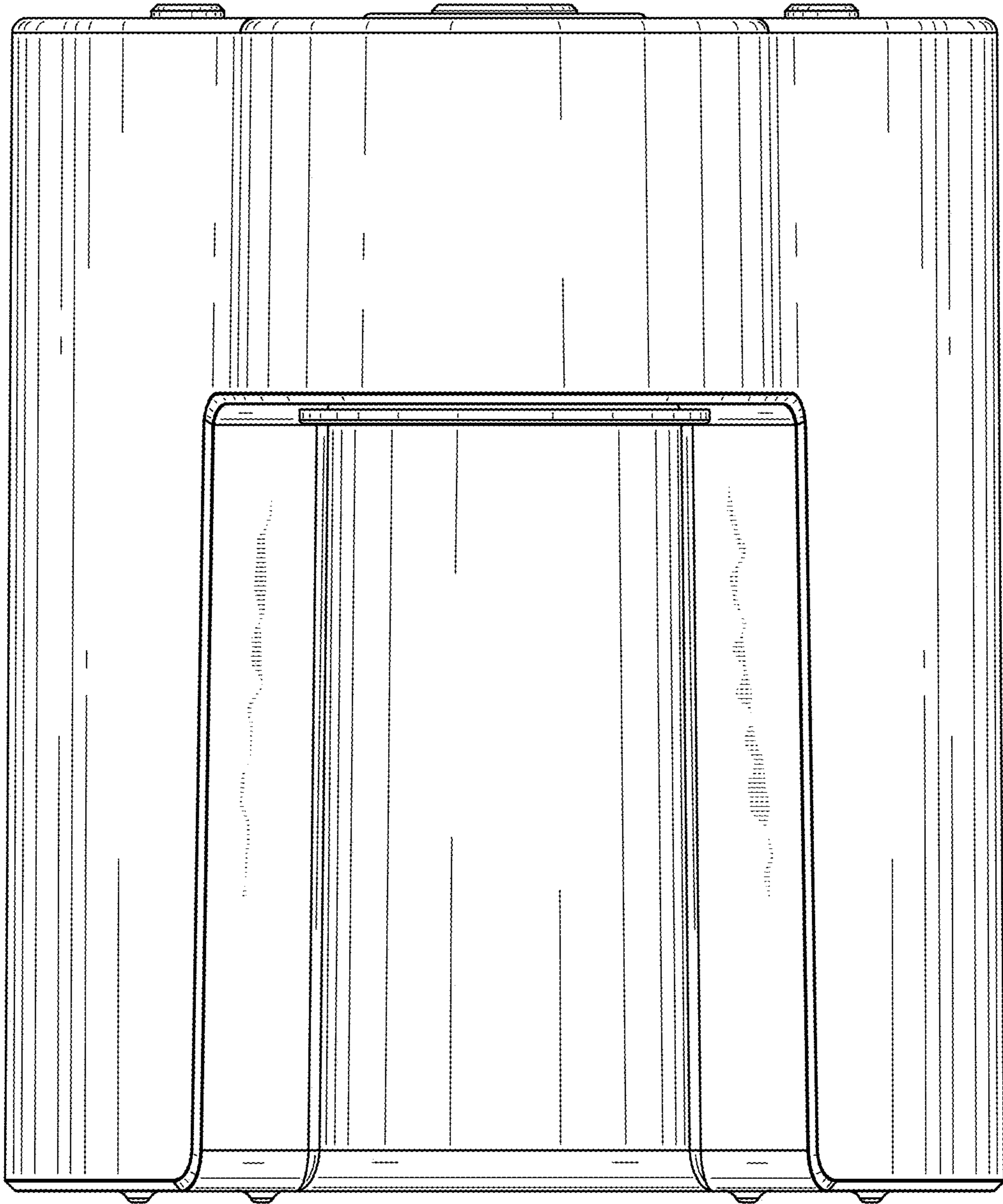


FIG. 1

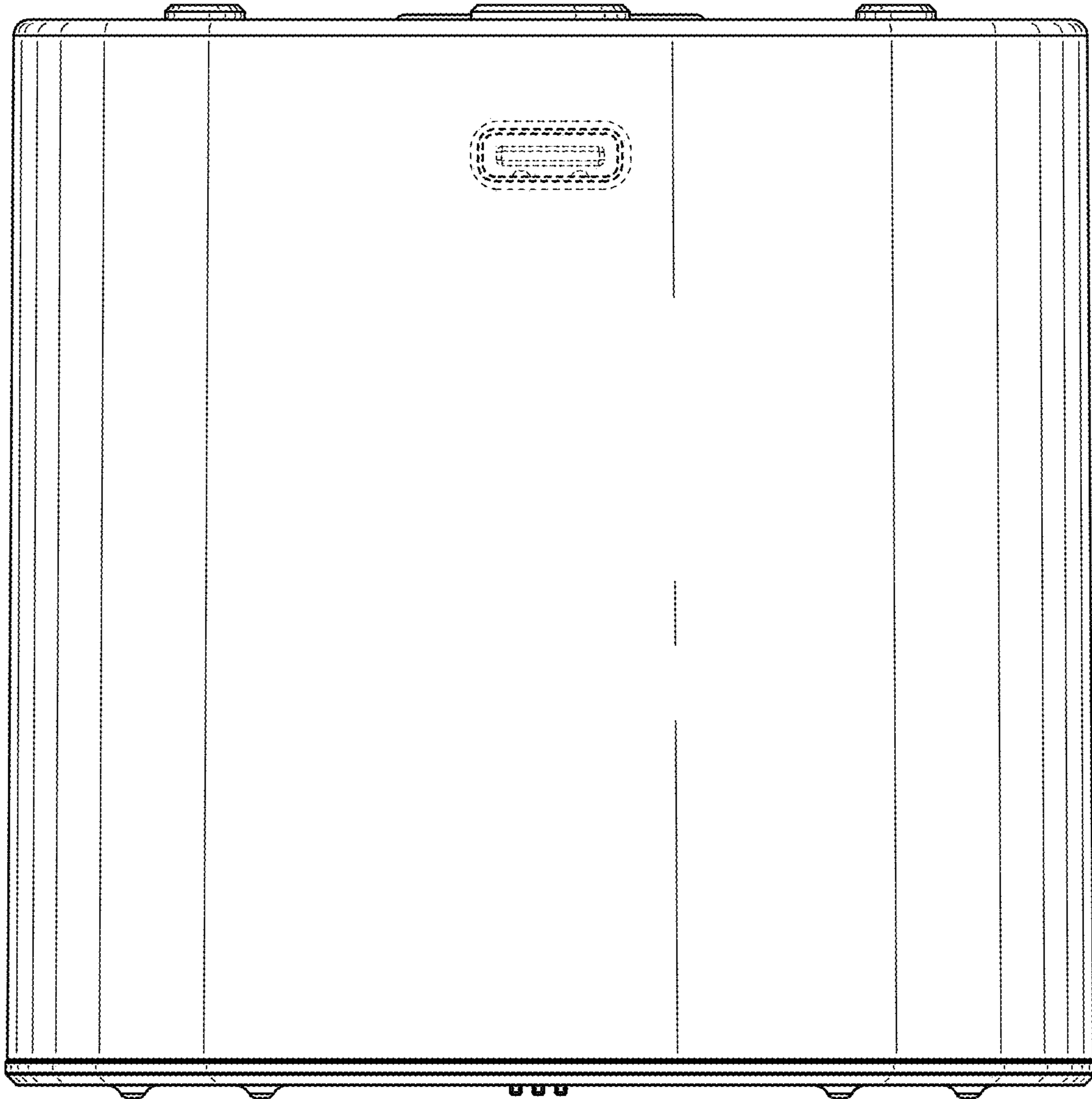


FIG. 2

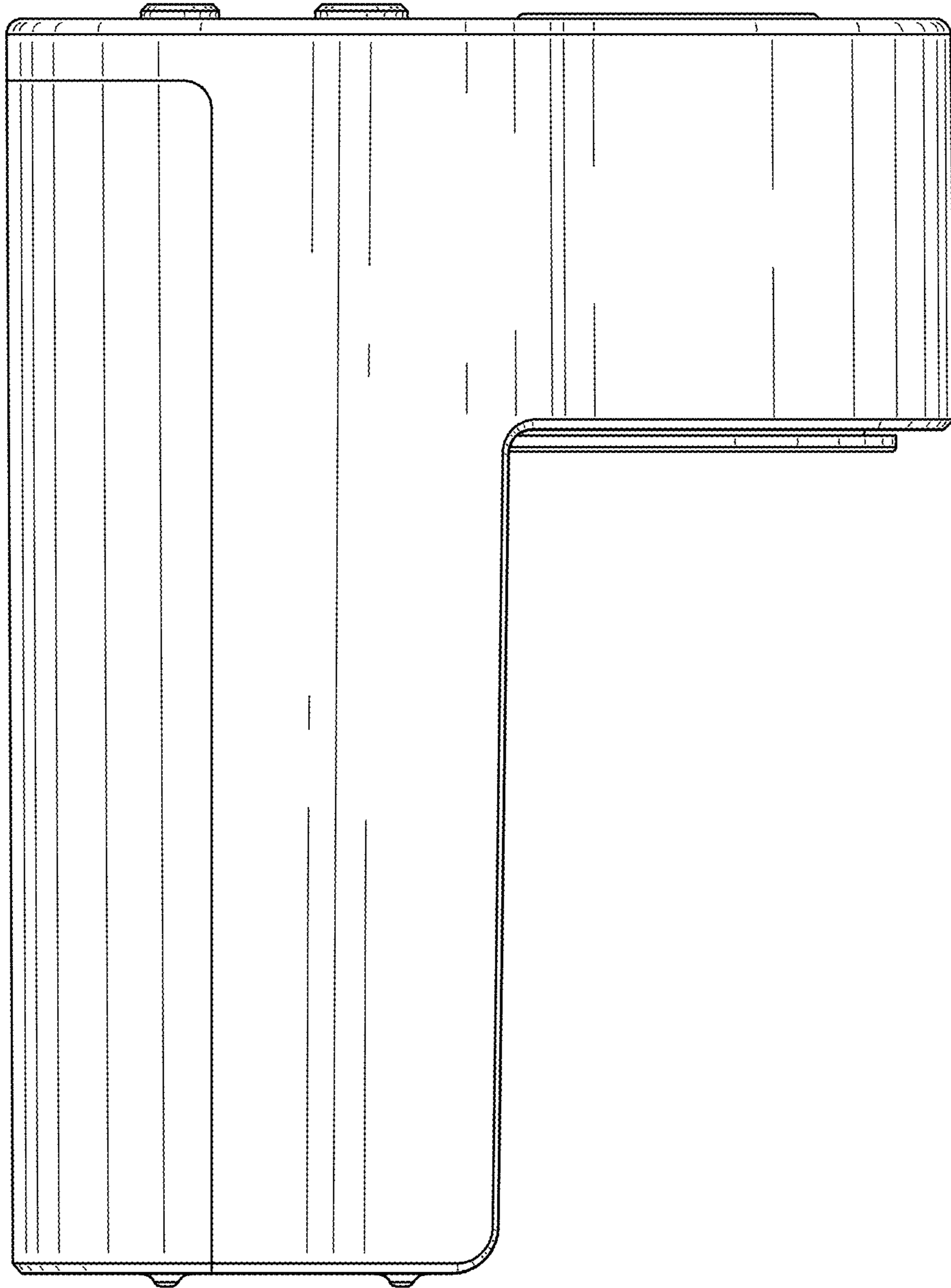


FIG. 3

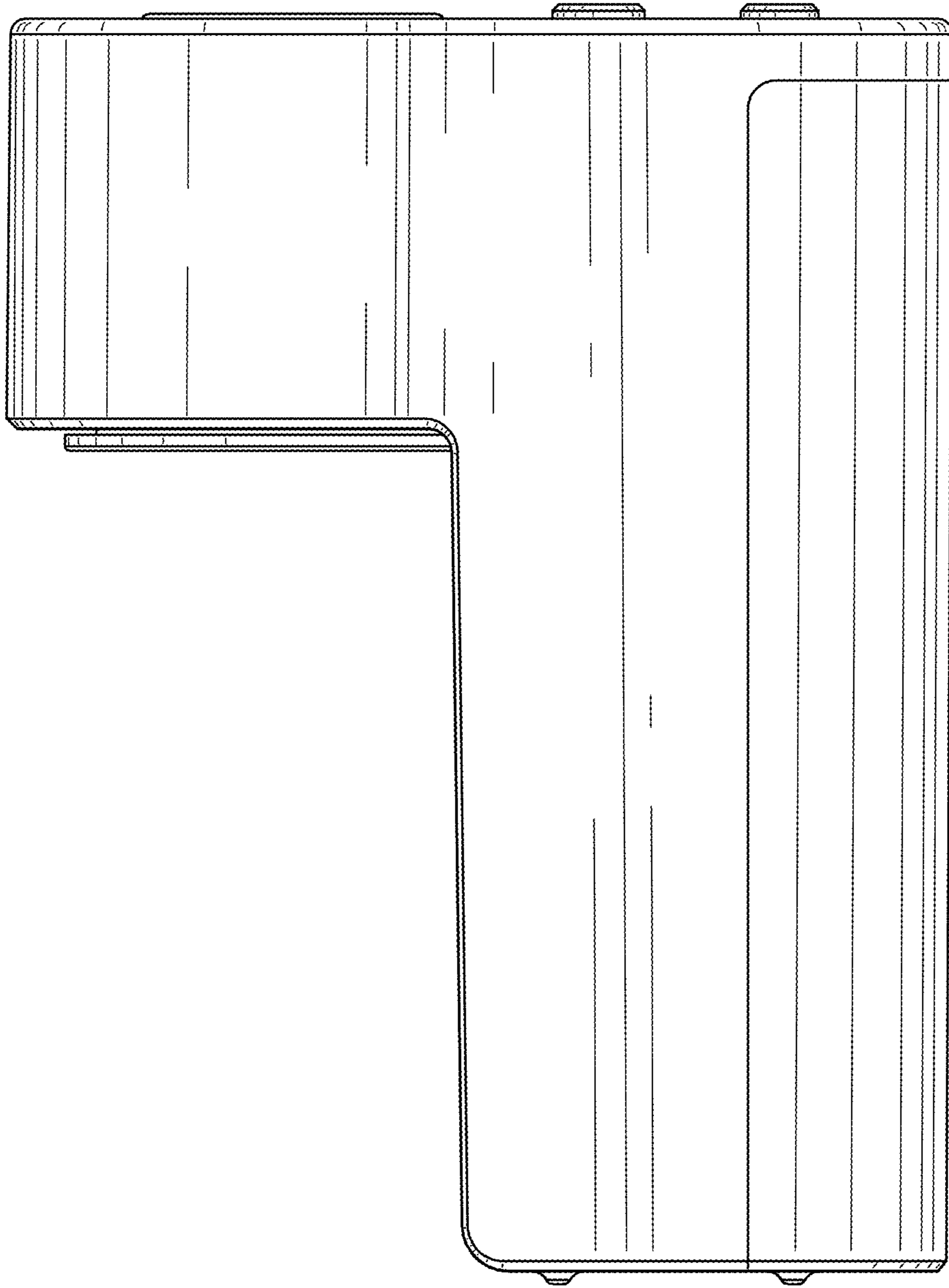


FIG. 4

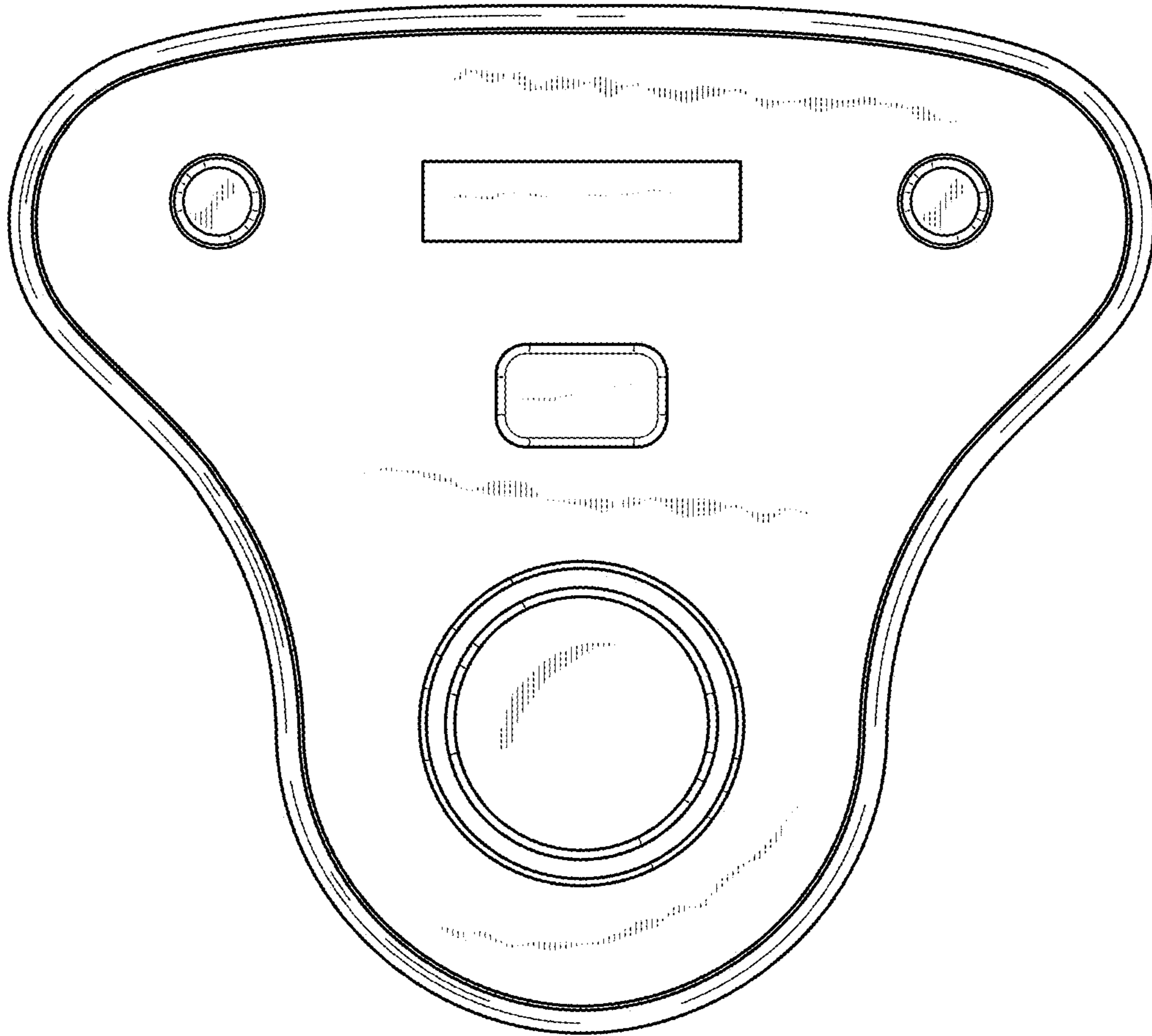


FIG. 5

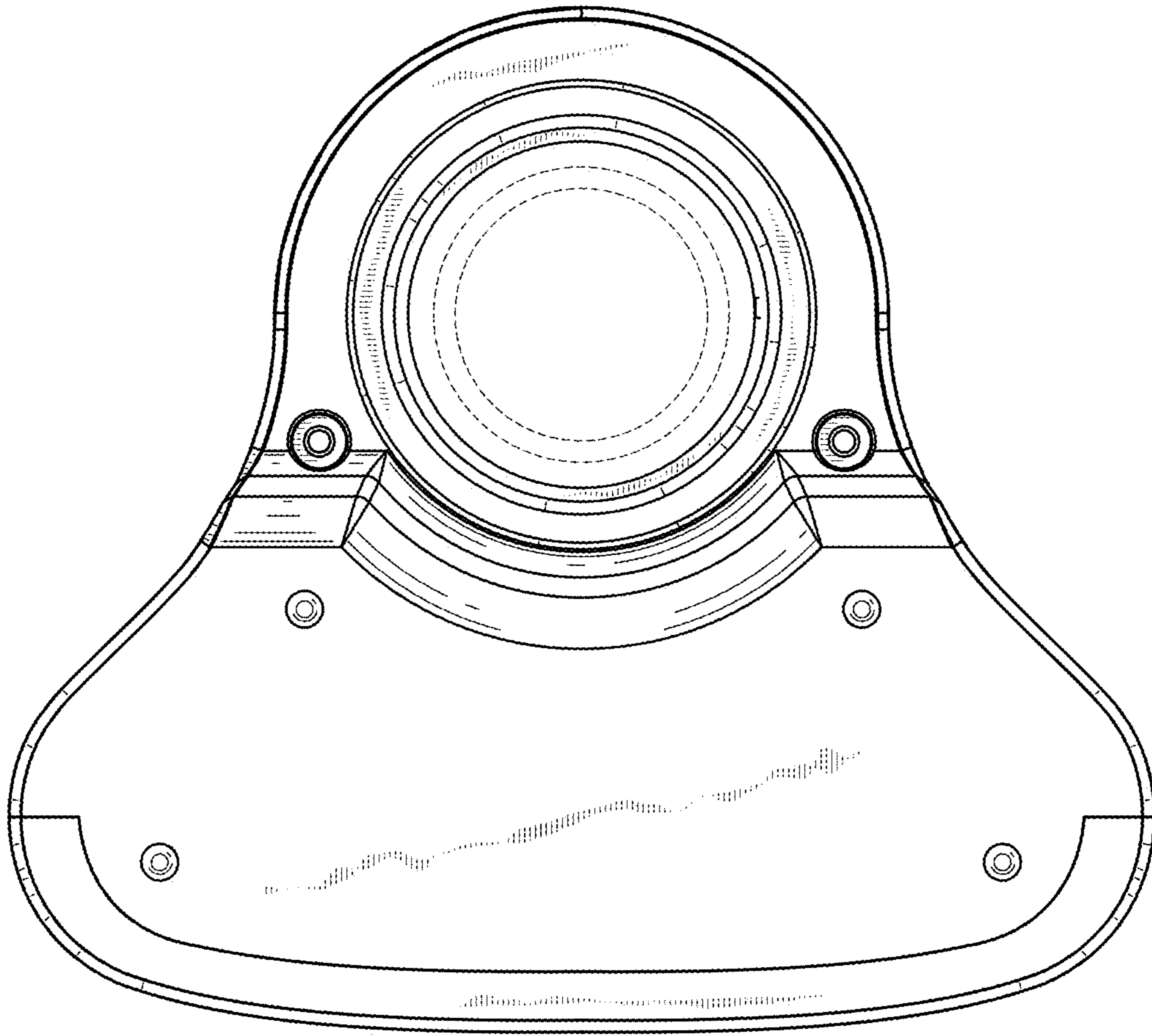


FIG. 6

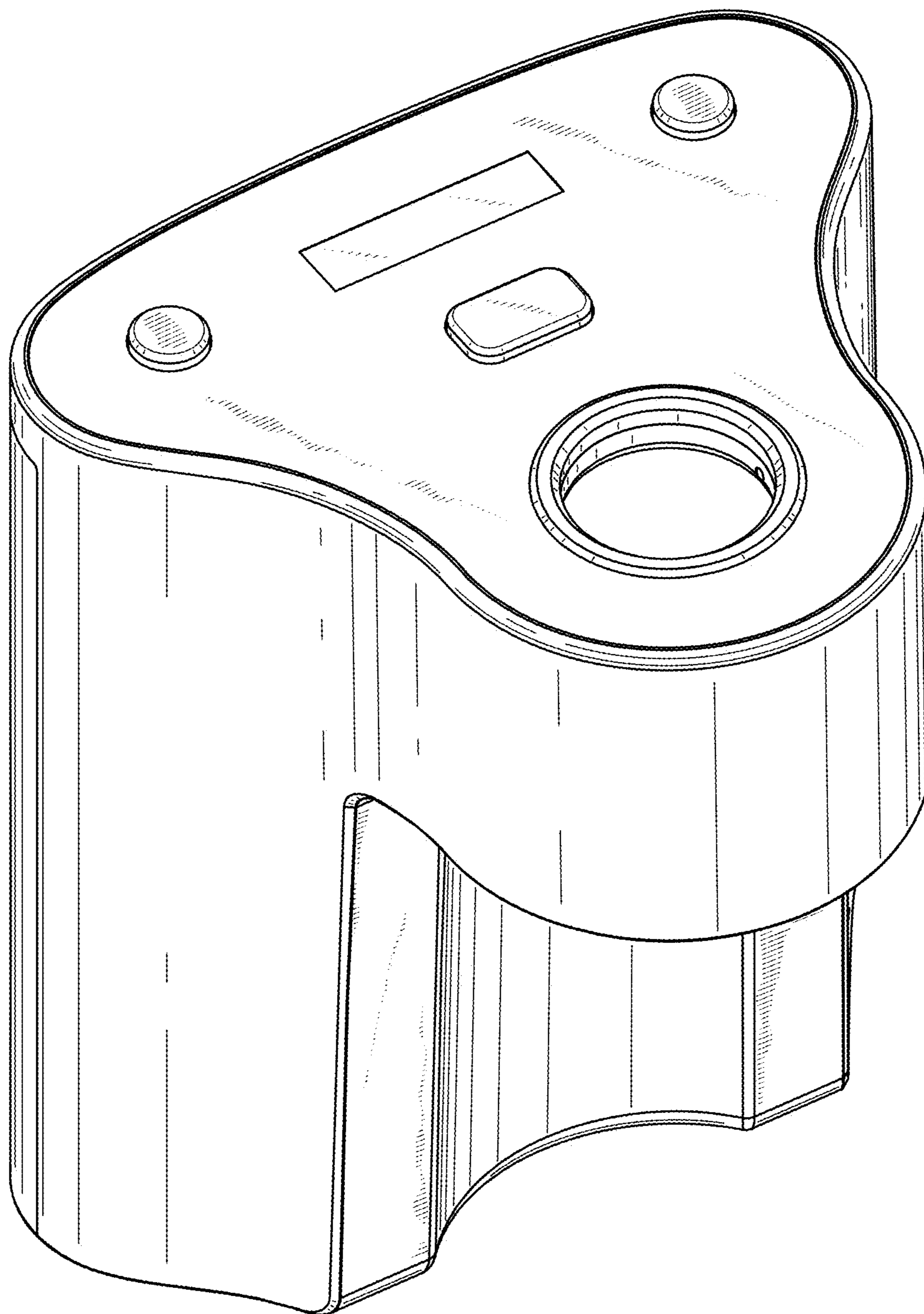


FIG. 7

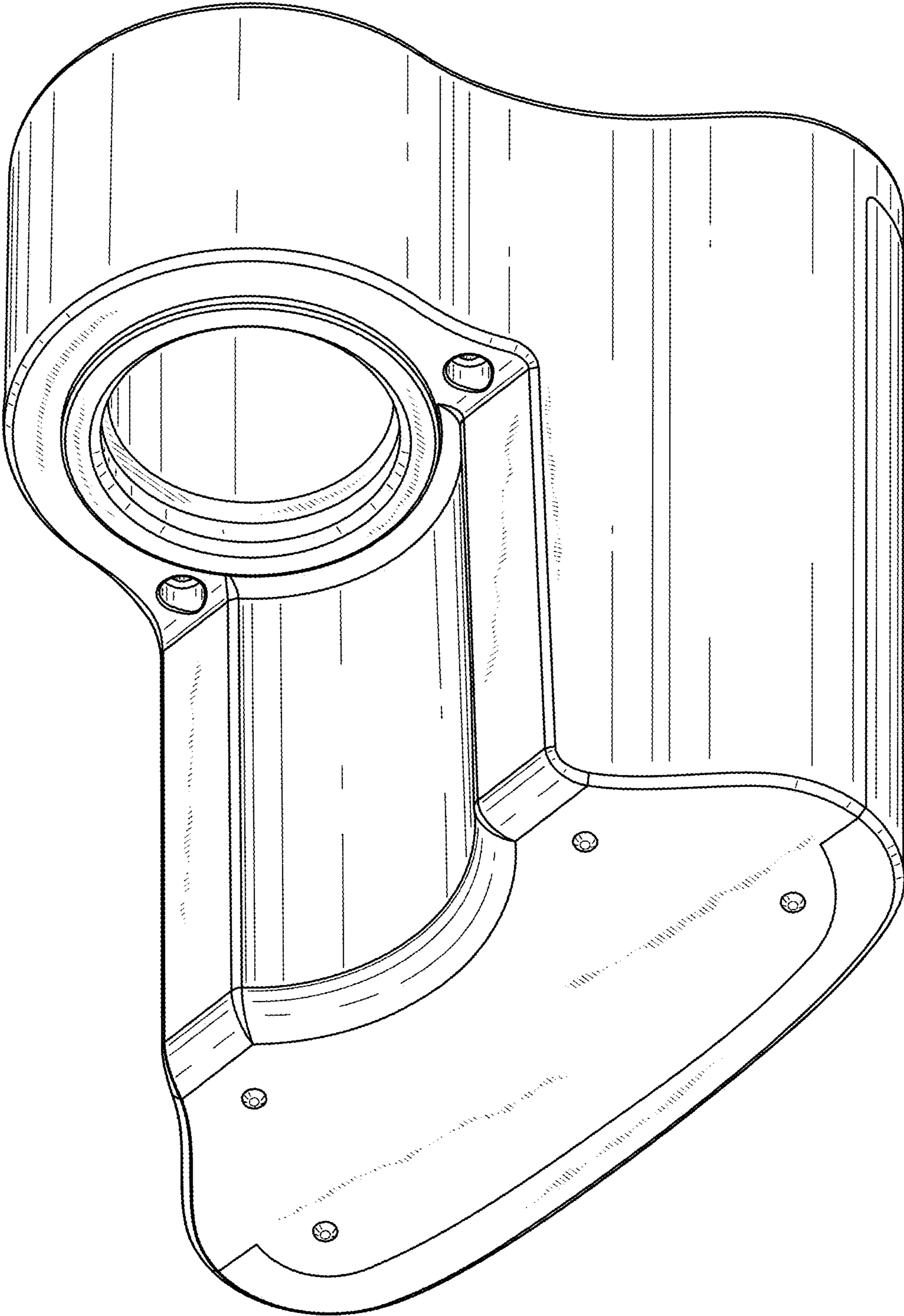


FIG. 8