



US00D988582S

(12) **United States Design Patent**
Wandrey et al.

(10) **Patent No.:** **US D988,582 S**

(45) **Date of Patent:** **** Jun. 6, 2023**

(54) **LIGHT FIXTURE**

(71) Applicant: **LMPG, INC.**, Longueuil (CA)

(72) Inventors: **John Wandrey**, Mount Prospect, IL (US); **Nataliya Kozyreva**, Arlington Heights, IL (US)

(73) Assignee: **LMPG, INC.**, Longueuil (CA)

(**) Term: **15 Years**

(21) Appl. No.: **29/680,693**

(22) Filed: **Feb. 19, 2019**

(51) **LOC (14) Cl.** **26-05**

(52) **U.S. Cl.**
USPC **D26/87**; D26/142

(58) **Field of Classification Search**
USPC D26/67, 72, 74, 76, 78-83, 85, 86, 87, 88, D26/90, 93, 111, 113, 118-122, 138, 139, 140, D26/141, 142, 152
CPC F21S 2/00; F21S 4/00; F21S 4/003; F21S 4/005; F21S 4/006; F21S 4/007; F21S 4/008; F21S 6/00; F21S 8/00; F21S 8/024; F21S 8/026; F21S 8/031; F21S 8/033; F21S 8/035-037; F21S 8/04; F21S 8/043; F21S 8/063
See application file for complete search history.

(56) **References Cited**

U.S. PATENT DOCUMENTS

D259,961	S	*	7/1981	Wotowiec et al.	D26/26
D537,556	S	*	2/2007	Summerford et al.	D26/142
D580,580	S	*	11/2008	Lodhie	D26/67
D585,590	S	*	1/2009	Summerford et al.	D26/141
D592,342	S	*	5/2009	Kinnune et al.	D26/67
D592,343	S	*	5/2009	Wilcox et al.	D26/67
D592,351	S	*	5/2009	Kinnune et al.	D26/155
D595,886	S	*	7/2009	Lodhie	D26/71
D599,496	S	*	9/2009	Lodhie	D26/67
D615,682	S	*	5/2010	van Klinken	D26/67

D616,130	S	*	5/2010	Tortel	D26/67
D652,976	S	*	1/2012	Soto et al.	D26/68
D672,075	S	*	12/2012	Abogabir	D26/68
D740,487	S	*	10/2015	Nelson et al.	D26/153
D741,548	S	*	10/2015	Ladewig	D28/67
D834,240	S	*	11/2018	Mullen	D26/138
D844,877	S	*	4/2019	Ladewig	D26/68
D853,615	S	*	7/2019	Ahrari et al.	D26/67
D877,385	S	*	3/2020	Gibson et al.	D26/67
D887,078	S	*	6/2020	Mullen	D26/138
D897,586	S	*	9/2020	Ahrari et al.	D26/67
D925,088	S	*	7/2021	Gibson et al.	D26/70

OTHER PUBLICATIONS

Canadian Office Action for Application No. 188360 dated Aug. 7, 2020, 2 pages.

* cited by examiner

Primary Examiner — Natasha Vujcic
(74) *Attorney, Agent, or Firm* — Burns & Levinson, LLP; Joseph M. Maraia

(57) **CLAIM**

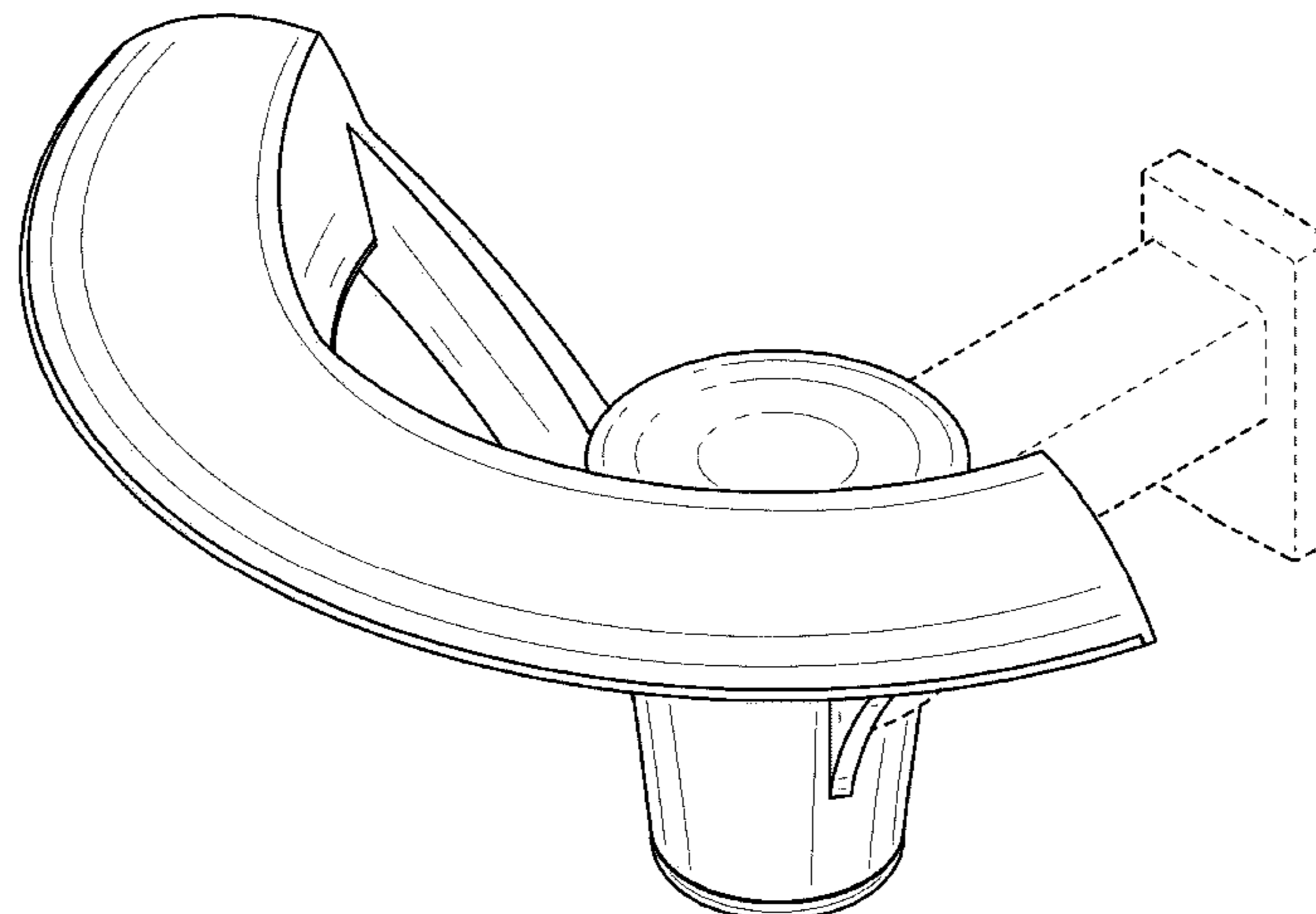
The ornamental design for a light fixture as shown and described.

DESCRIPTION

DESCRIPTION OF THE FIGURES

FIG. 1 is a perspective view of a light fixture, according to our invention;
FIG. 2 is a front view of the light fixture of FIG. 1;
FIG. 3 is a back view of the light fixture of FIG. 1;
FIG. 4 is a first side view of the light fixture of FIG. 1;
FIG. 5 is a second side view of the light fixture of FIG. 1;
FIG. 6 is a top view of the light fixture of FIG. 1; and
FIG. 7 is a bottom view of the light fixture of FIG. 1.
The broken lines in the drawings illustrate portions of the light fixture, which form no part of the claimed design.

1 Claim, 7 Drawing Sheets



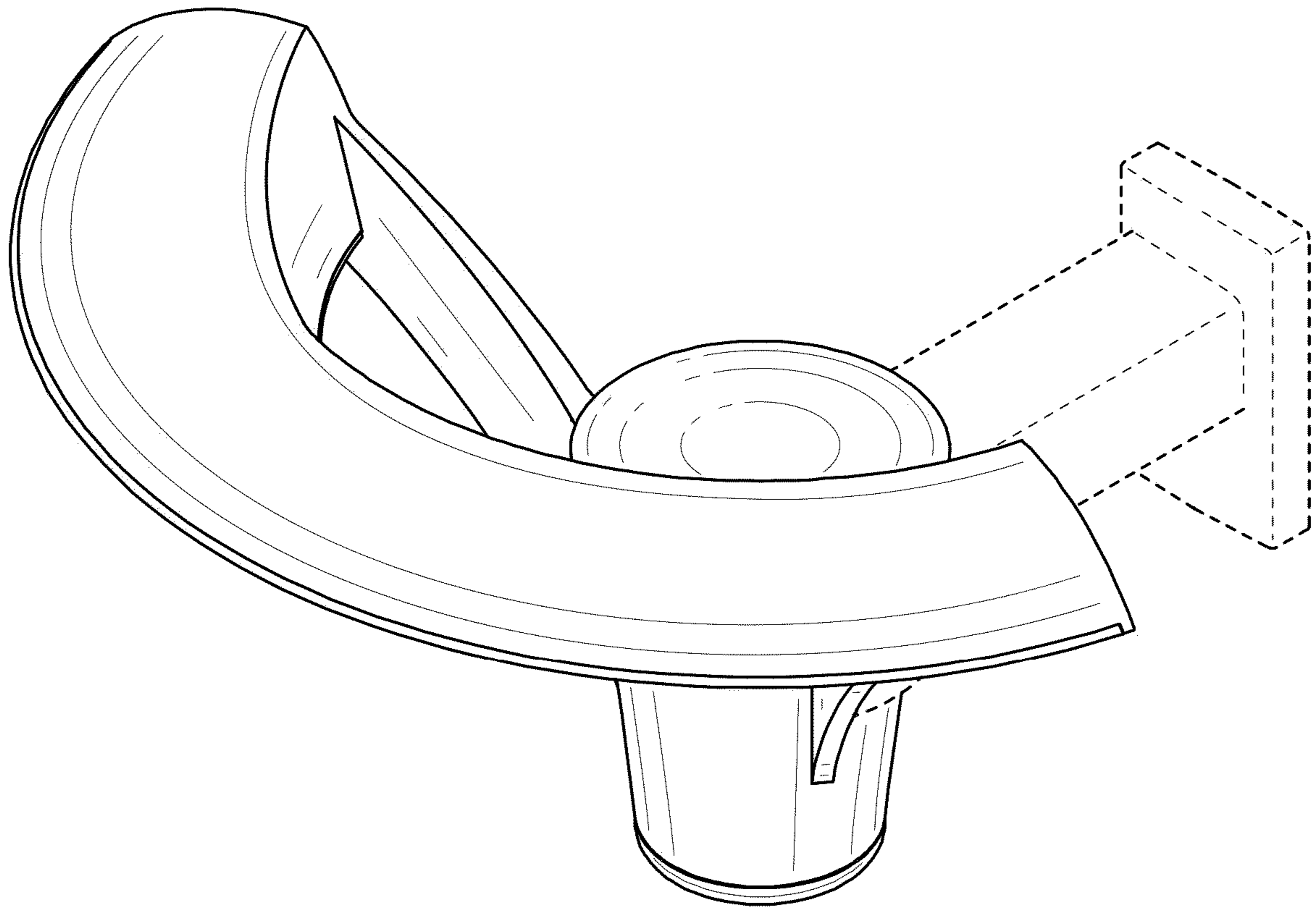


FIG. 1

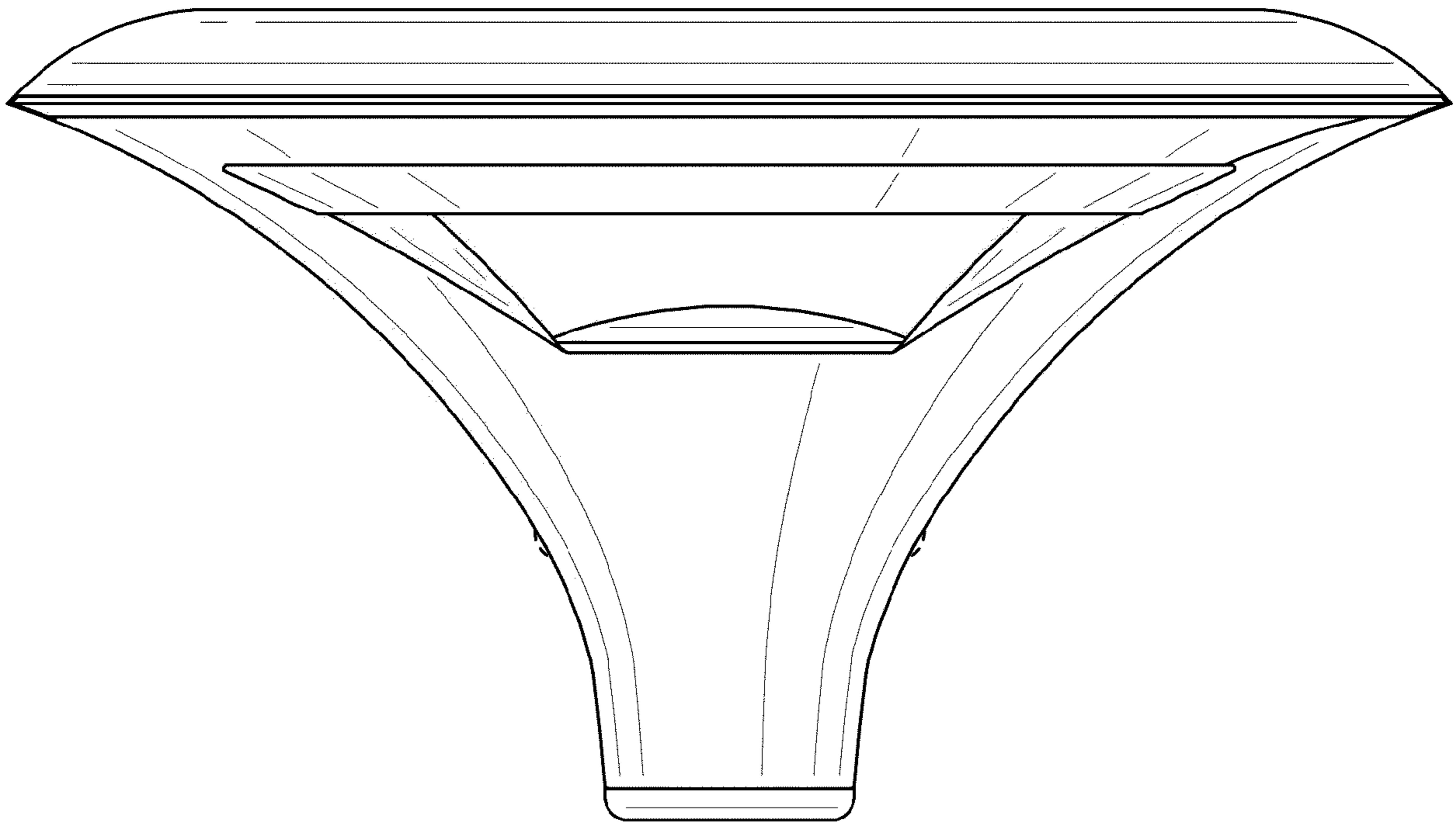


FIG. 2

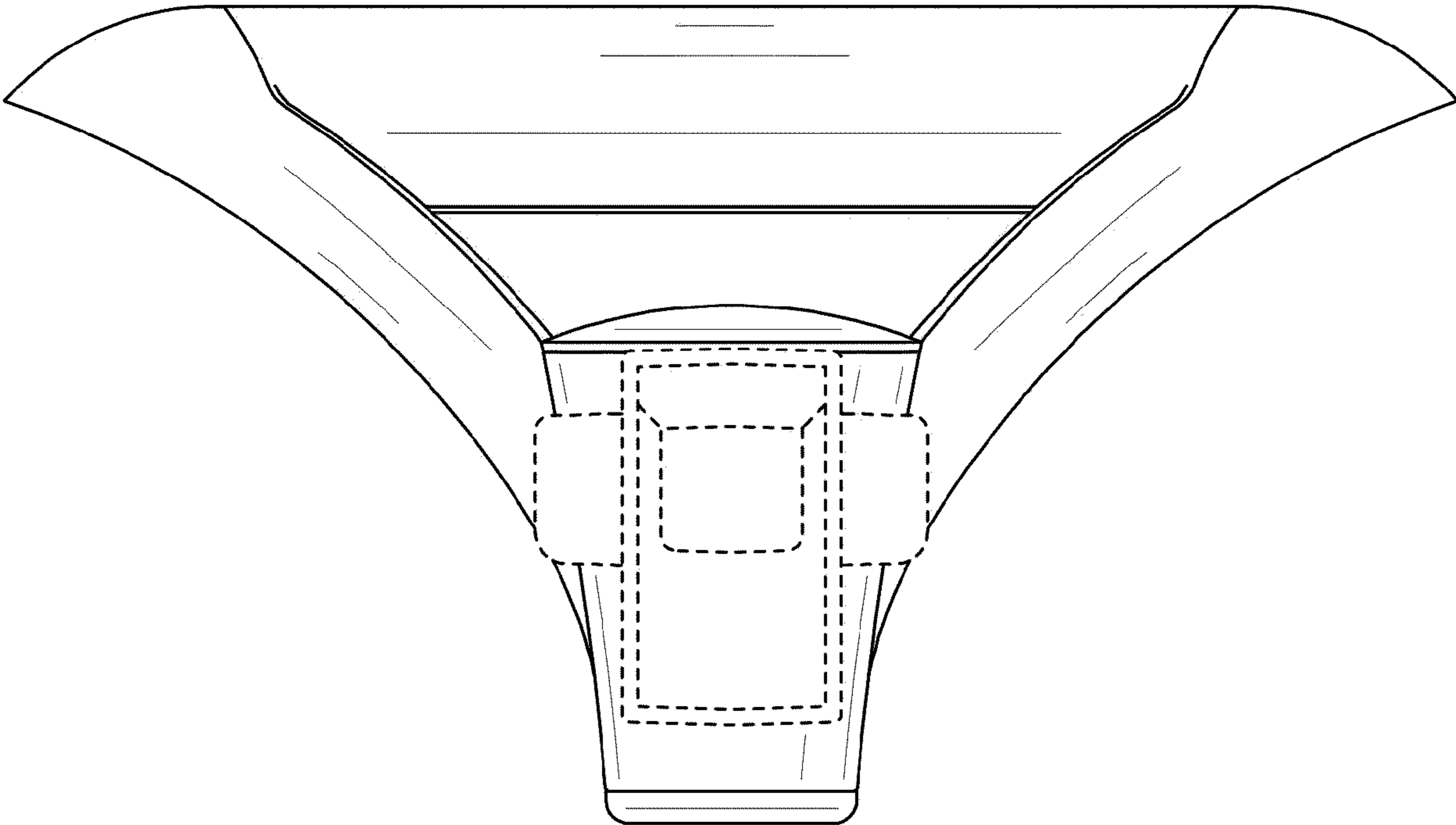


FIG. 3

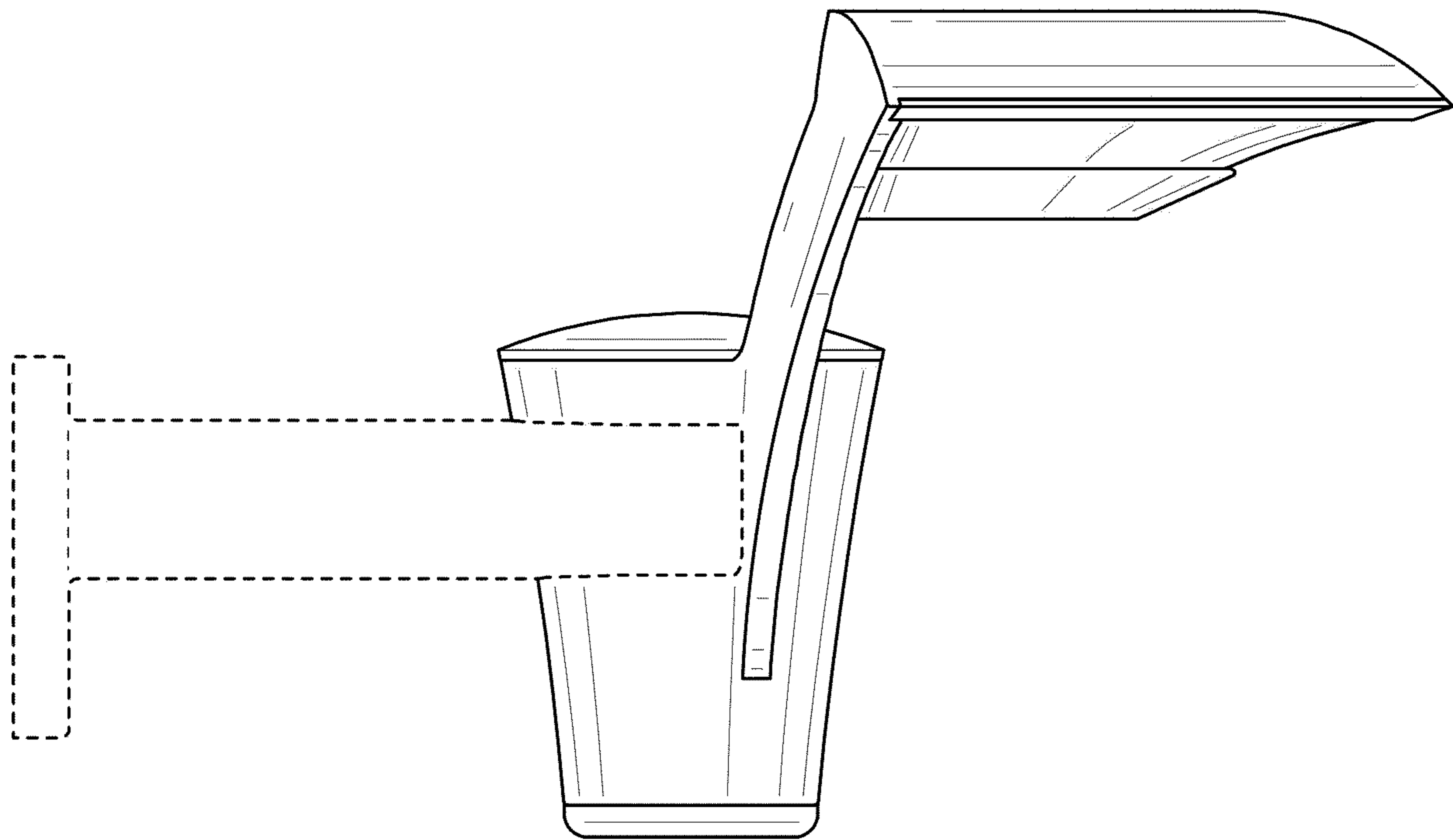


FIG. 4

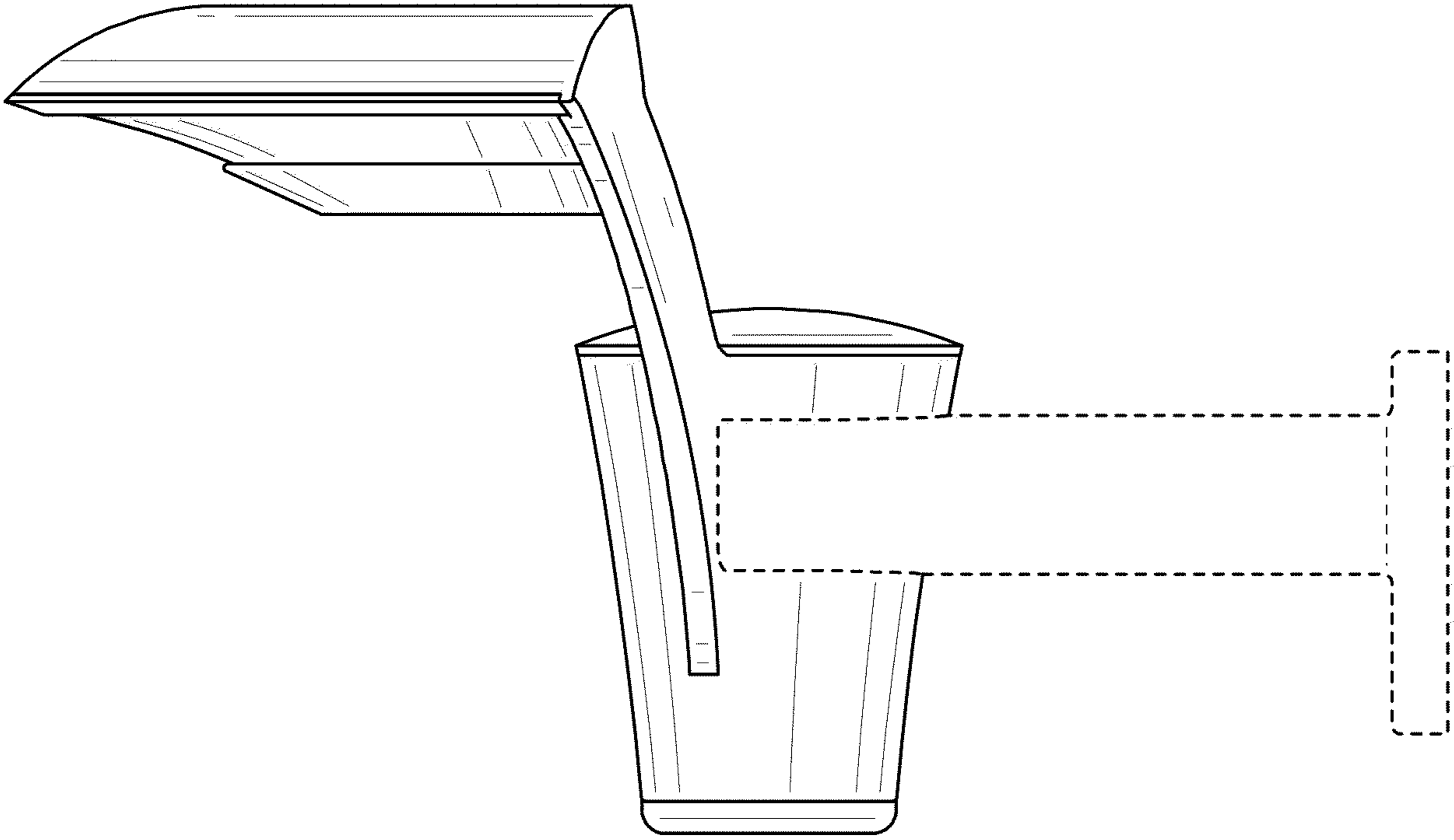


FIG. 5

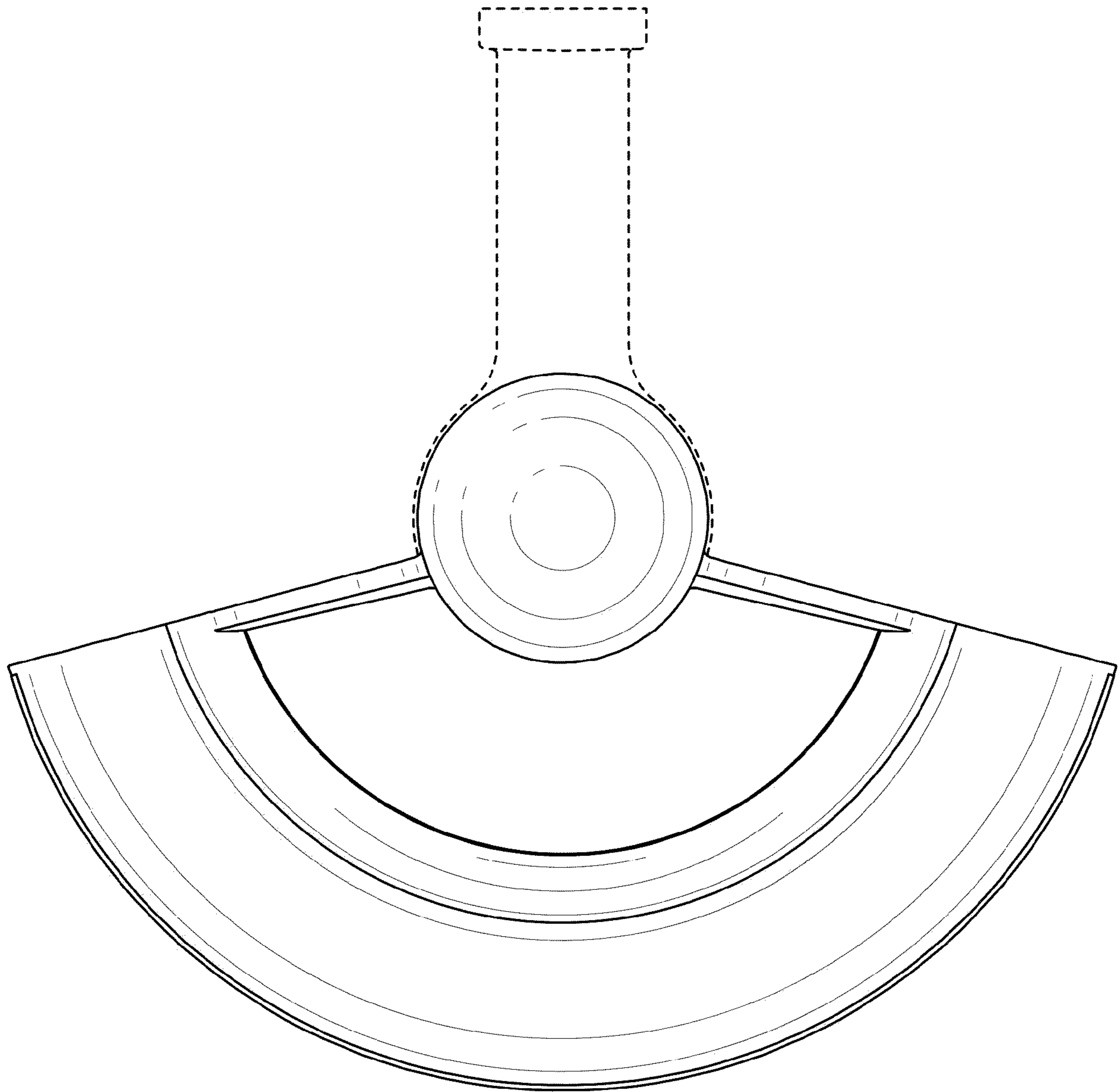


FIG. 6

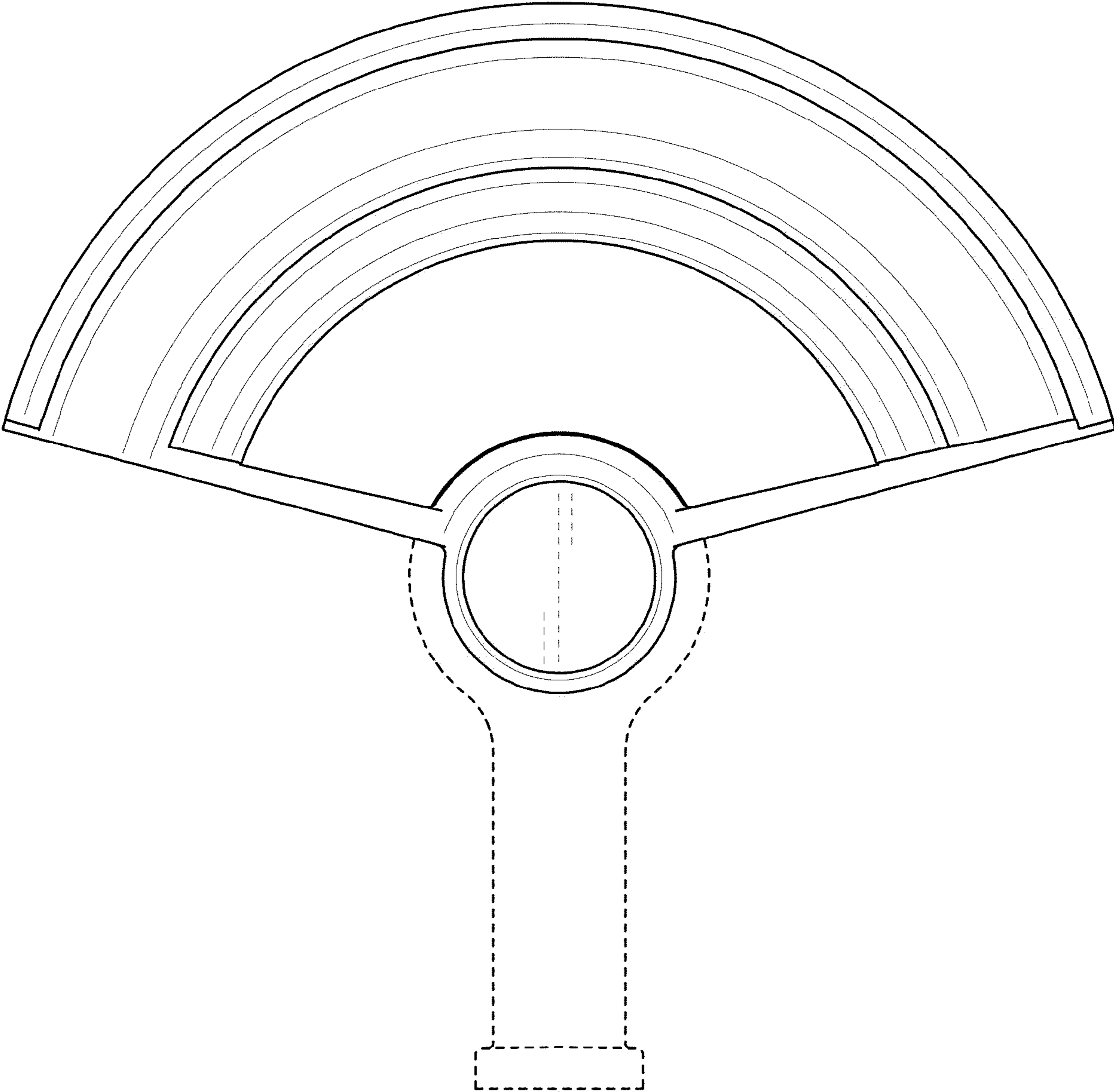


FIG. 7