



US00D988581S

(12) **United States Design Patent**  
**Lim et al.**

(10) **Patent No.:** **US D988,581 S**  
(45) **Date of Patent:** **\*\* Jun. 6, 2023**

(54) **LIGHTING FIXTURE**

internet URL: <https://www.youtube.com/watch?v=6E1yfMk3Z9E>  
(Year: 2021).\*

(71) Applicant: **IDEAL Industries Lighting LLC**,  
Sycamore, IL (US)

(Continued)

(72) Inventors: **Jin Hong Lim**, Cary, NC (US); **Mark Lackey**, Raleigh, NC (US); **Rob Sanchez**, Cary, NC (US); **Charles Draper**, Wake Forest, NC (US); **Daniel James Van Epps, Jr.**, Apex, NC (US); **Bradley S. Thomas**, Cary, NC (US); **Marco Ma**, Shenzhen (CN)

*Primary Examiner* — Richard Kearney  
*Assistant Examiner* — Liv C Anderson  
(74) *Attorney, Agent, or Firm* — Withrow & Terranova, P.L.L.C.

(73) Assignee: **IDEAL Industries Lighting LLC**,  
Sycamore, IL (US)

(57) **CLAIM**

The ornamental design for a lighting fixture, as shown and described.

(\*\*) Term: **15 Years**

**DESCRIPTION**

(21) Appl. No.: **29/760,554**

(22) Filed: **Dec. 2, 2020**

(51) **LOC (14) Cl.** ..... **26-05**

(52) **U.S. Cl.**  
USPC ..... **D26/138**

(58) **Field of Classification Search**  
USPC ..... D26/24, 25, 26, 57, 72, 93, 94, 98, 99,  
D26/101, 104, 106, 113, 114, 138, 139,  
D26/141, 142, 152

(Continued)

(56) **References Cited**

**U.S. PATENT DOCUMENTS**

D650,513 S \* 12/2011 Blincoe ..... D26/118  
D657,088 S \* 4/2012 Miro ..... D26/85

(Continued)

**FOREIGN PATENT DOCUMENTS**

WO WOD214627-001 \* 6/2021  
WO WOD214627-002 \* 6/2021

(Continued)

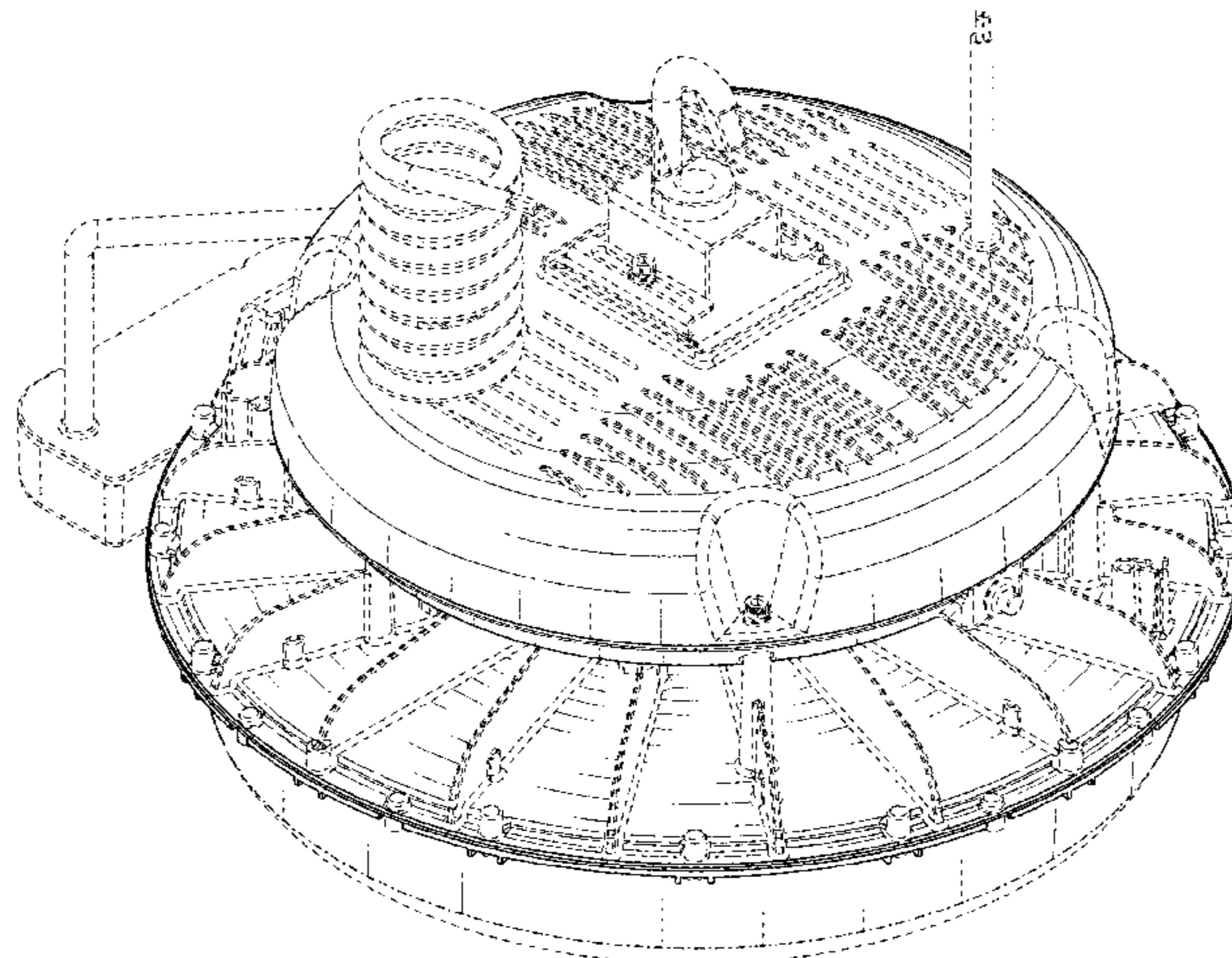
**OTHER PUBLICATIONS**

“VuePoint” reference by Cree Lighting on YouTube, announced on YouTube.com on Oct. 21, 2021 [online], site visited Mar. 15, 2022,

FIG. 1 is a top perspective view of one embodiment of a lighting fixture;  
FIG. 2 is an end view of the lighting fixture of FIG. 1;  
FIG. 3 is an opposing end view of the lighting fixture of FIG. 1;  
FIG. 4 is a side view of the lighting fixture of FIG. 1;  
FIG. 5 is an opposing side view of the lighting fixture of FIG. 1;  
FIG. 6 is a top view of the lighting fixture of FIG. 1;  
FIG. 7 is a bottom view of the lighting fixture of FIG. 1;  
FIG. 8 is a bottom perspective view of the lighting fixture of FIG. 1;  
FIG. 9 is a top perspective view of another embodiment of a lighting fixture;  
FIG. 10 is an end view of the lighting fixture of FIG. 9;  
FIG. 11 is an opposing end view of the lighting fixture of FIG. 9;  
FIG. 12 is a side view of the lighting fixture of FIG. 9;  
FIG. 13 is an opposing side view of the lighting fixture of FIG. 9;  
FIG. 14 is a top view of the lighting fixture of FIG. 9;  
FIG. 15 is a bottom view of the lighting fixture of FIG. 9;  
and,  
FIG. 16 is a bottom perspective view of the lighting fixture of FIG. 9.

The dashed broken lines shown in the drawings depict portions of the lighting fixture that form no part of the claimed design. The dot-dash-dot broken lines shown in the

(Continued)



drawings depict boundaries of the lighting fixture and form no part of the claimed design.

**1 Claim, 16 Drawing Sheets**

(58) **Field of Classification Search**

CPC .... F21S 6/00; F21S 6/002; F21S 6/005; F21S 8/00; F21S 8/035; F21S 10/00

See application file for complete search history.

(56)

**References Cited**

U.S. PATENT DOCUMENTS

D668,811	S	*	10/2012	Peter	.....	D26/89
D690,453	S	*	9/2013	Guercio	.....	D26/88
D750,317	S		2/2016	Lui et al.		
D840,585	S	*	2/2019	Treible, Jr.	.....	D26/138
D845,539	S	*	4/2019	Deng	.....	D26/149
D849,301	S	*	5/2019	Wang	.....	D26/72
D856,571	S	*	8/2019	Chami	.....	D26/118
D858,841	S	*	9/2019	Deng	.....	D26/63
D868,336	S	*	11/2019	Li	.....	D26/72
D875,292	S	*	2/2020	Zhou	.....	D26/72
D878,668	S		3/2020	Lindsay et al.		
D882,854	S	*	4/2020	Yang	.....	D26/88
D886,335	S	*	6/2020	Zhu	.....	D26/24
D901,744	S	*	11/2020	Xu	.....	D26/63
D908,264	S	*	1/2021	Liu	.....	D26/72
D939,750	S	*	12/2021	Wu	.....	D26/63
2020/0200378	A1	*	6/2020	Stokes	.....	F21V 29/745
2021/0204379	A1	*	7/2021	Zhang	.....	F21S 8/00

FOREIGN PATENT DOCUMENTS

WO	WOD214627-003	*	6/2021
WO	WOD214627-004	*	6/2021

OTHER PUBLICATIONS

“High” reference by Jomitop on Amazon.com, date first available Mar. 17, 2017 [online], site visited Mar. 15, 2022, available from internet URL: <https://www.amazon.com/Equivalent-Industrial-Highbay-Warehouse-Fixtures/dp/B06XY2CMJ4/> (Year: 2017).\*

“Grandlumen” reference by Gpvision on Amazon.com, date first available Apr. 20, 2020 [online], site visited Mar. 15, 2022, available from internet URL: <https://www.amazon.com/GRANDLUMEN-Certified-Daylight-Warehouse-Reflector/dp/B087BRHM5L> (Year: 2020).\*

“Hyperlite” reference by Hyperlite on Amazon.com, date first available Sep. 13, 2017 [online], site visited Mar. 15, 2022, available from internet URL: <https://www.amazon.com/dp/B075KYPP62> (Year: 2017).\*

“Adiding” reference by Well Don on Amazon.com, date first available Jan. 26, 2018 [online], site visited Mar. 15, 2022, available from internet URL: <https://www.amazon.com/dp/B0793MQCXF> (Year: 2018).\*

Kurt Wilcox et al., U.S. Appl. No. 29/691,862, filed May 20, 2019, “Luminaire”.

Kurt Wilcox et al., U.S. Appl. No. 29/691,865, filed May 20, 2019, “Luminaire”.

Kurt Wilcox et al., U.S. Appl. No. 29/691,866, filed May 20, 2019, “Luminaire”.

Kurt Wilcox et al., U.S. Appl. No. 29/691,870, filed May 20, 2019, “Luminaire”.

Jin Hong Lim et al., U.S. Appl. No. 16/558,964, filed Sep. 3, 2019, “Luminaires and Components Thereof”.

Jin Hong Lim et al., U.S. Appl. No. 17/010,428, filed Sep. 2, 2020, “Luminaires and Components Thereof”.

\* cited by examiner



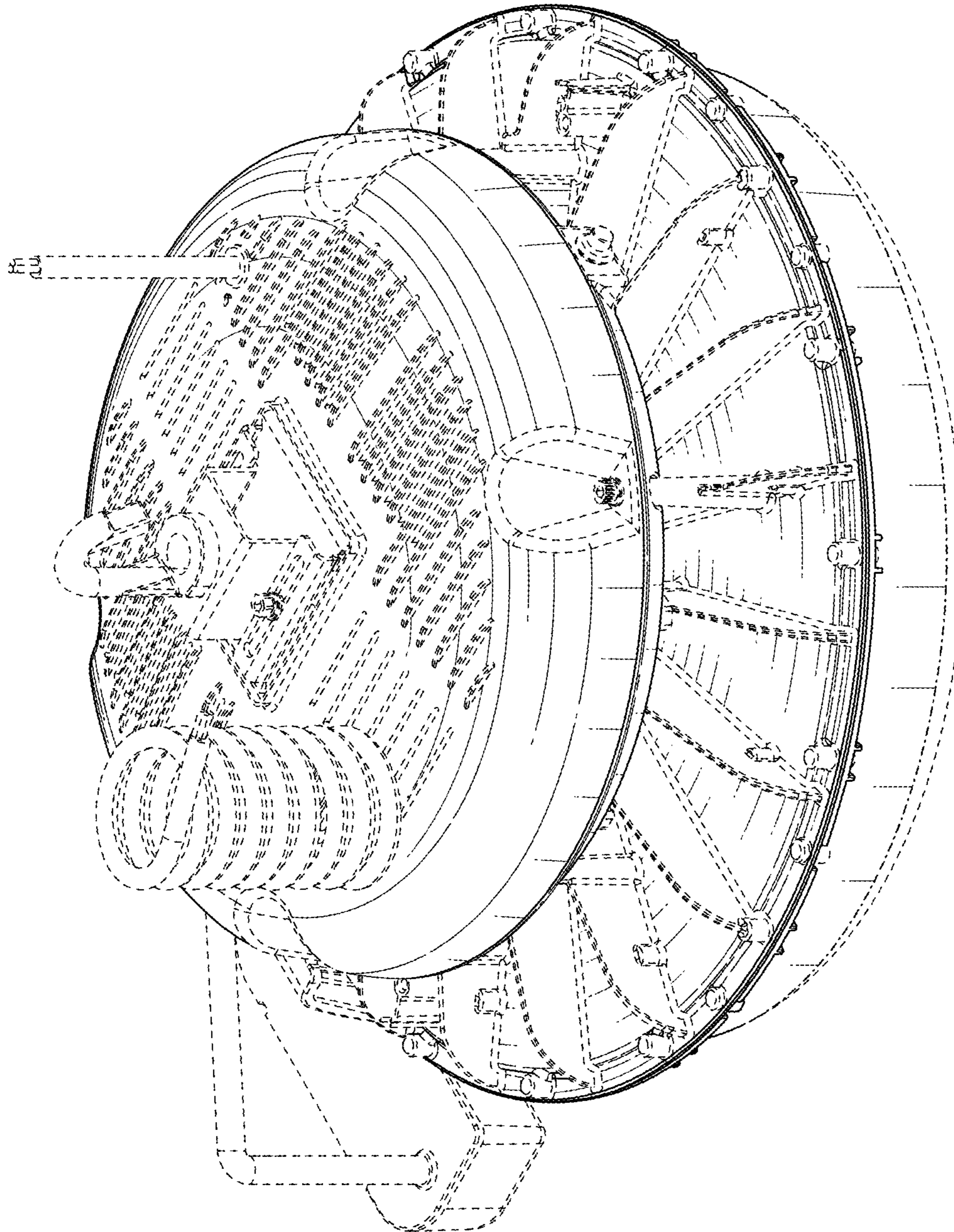


FIG. 1

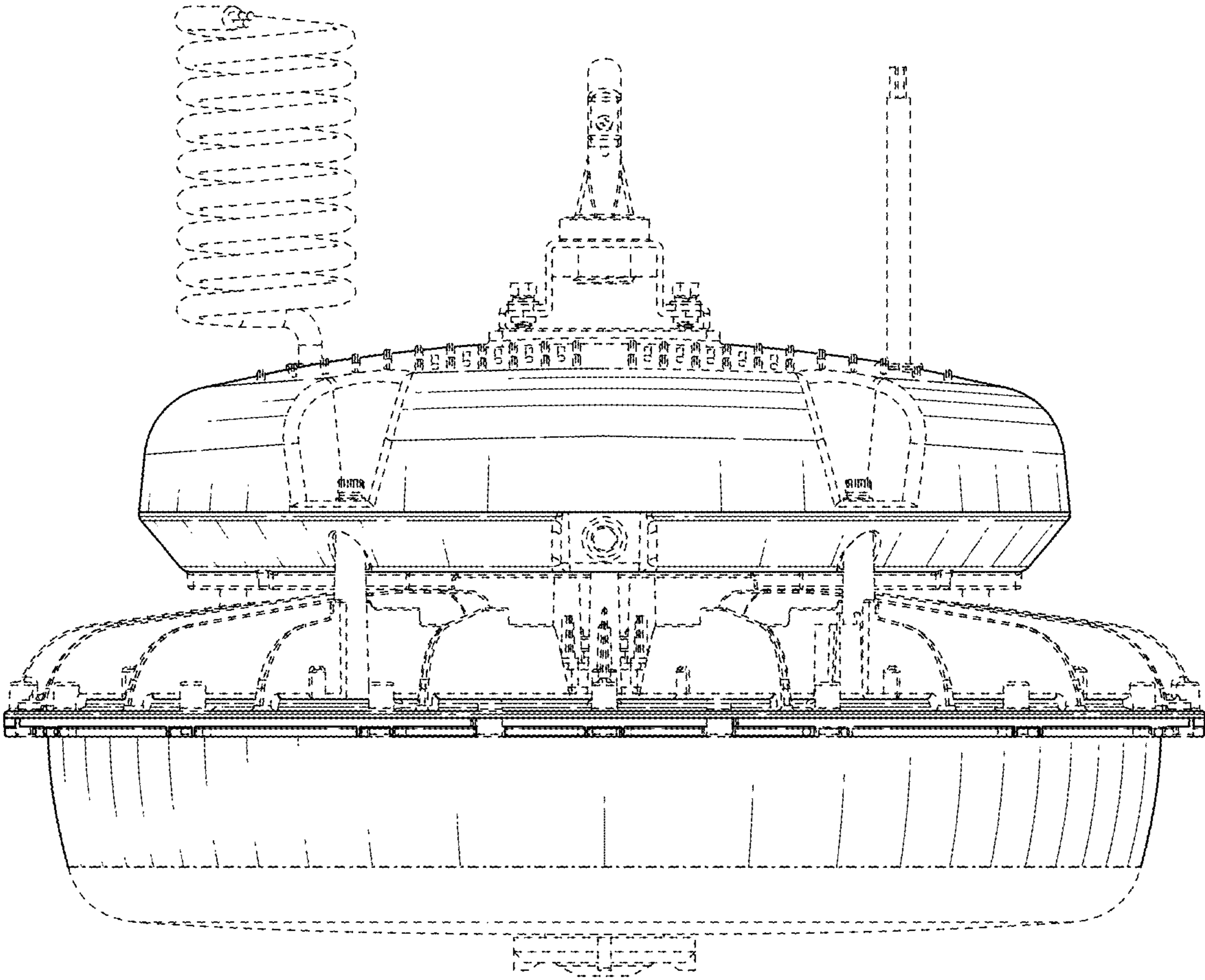


FIG. 2

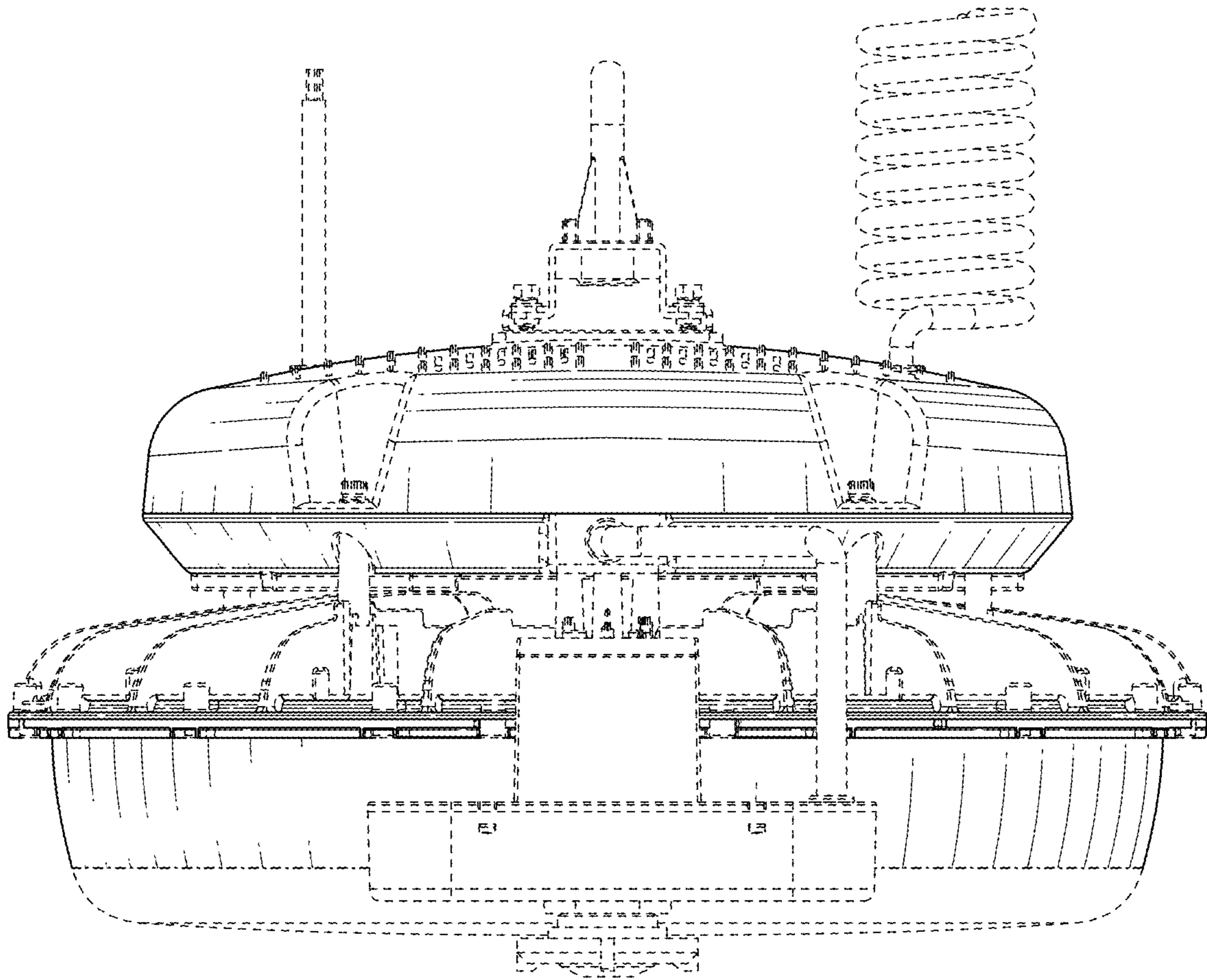


FIG. 3



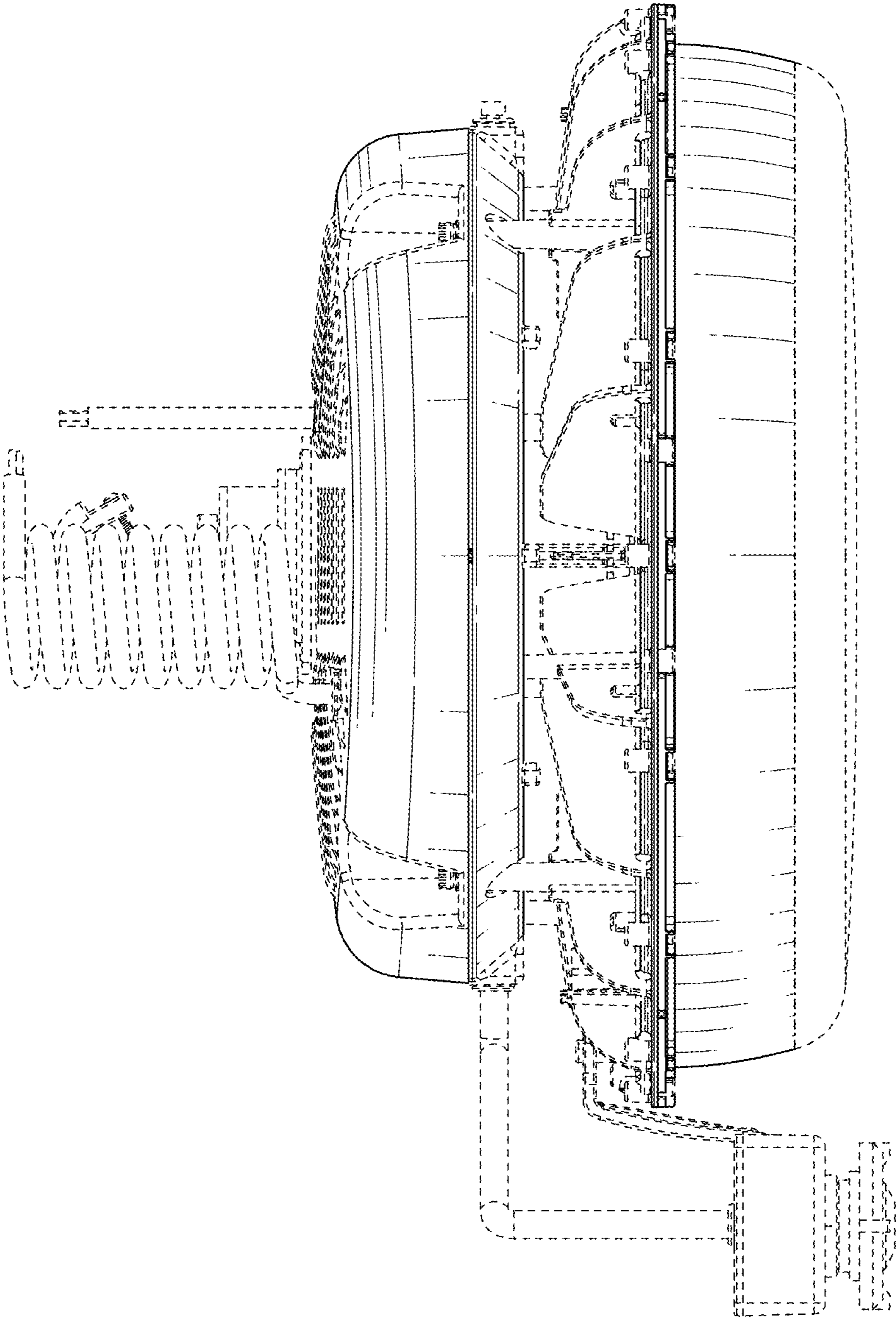


FIG. 4

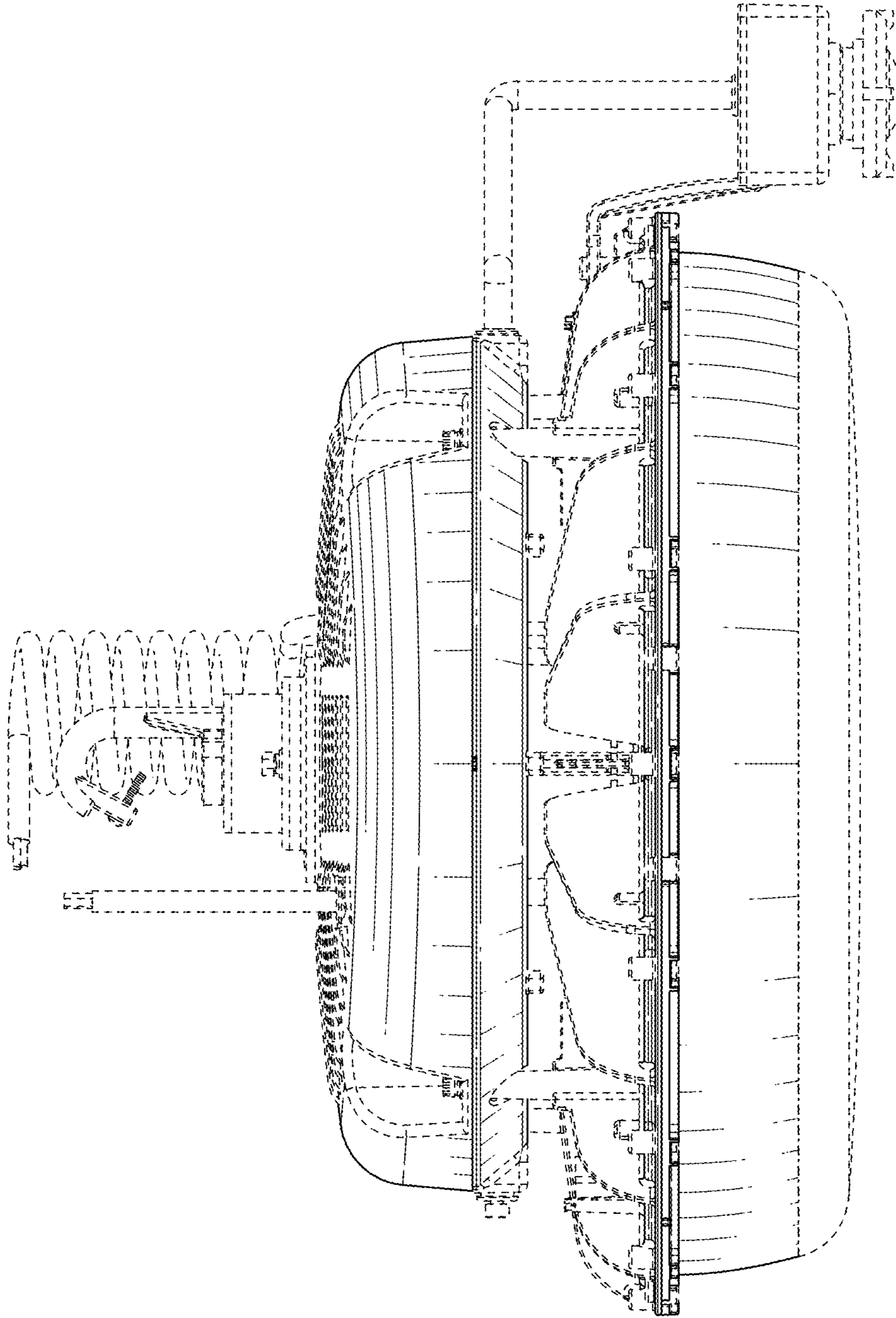


FIG. 5

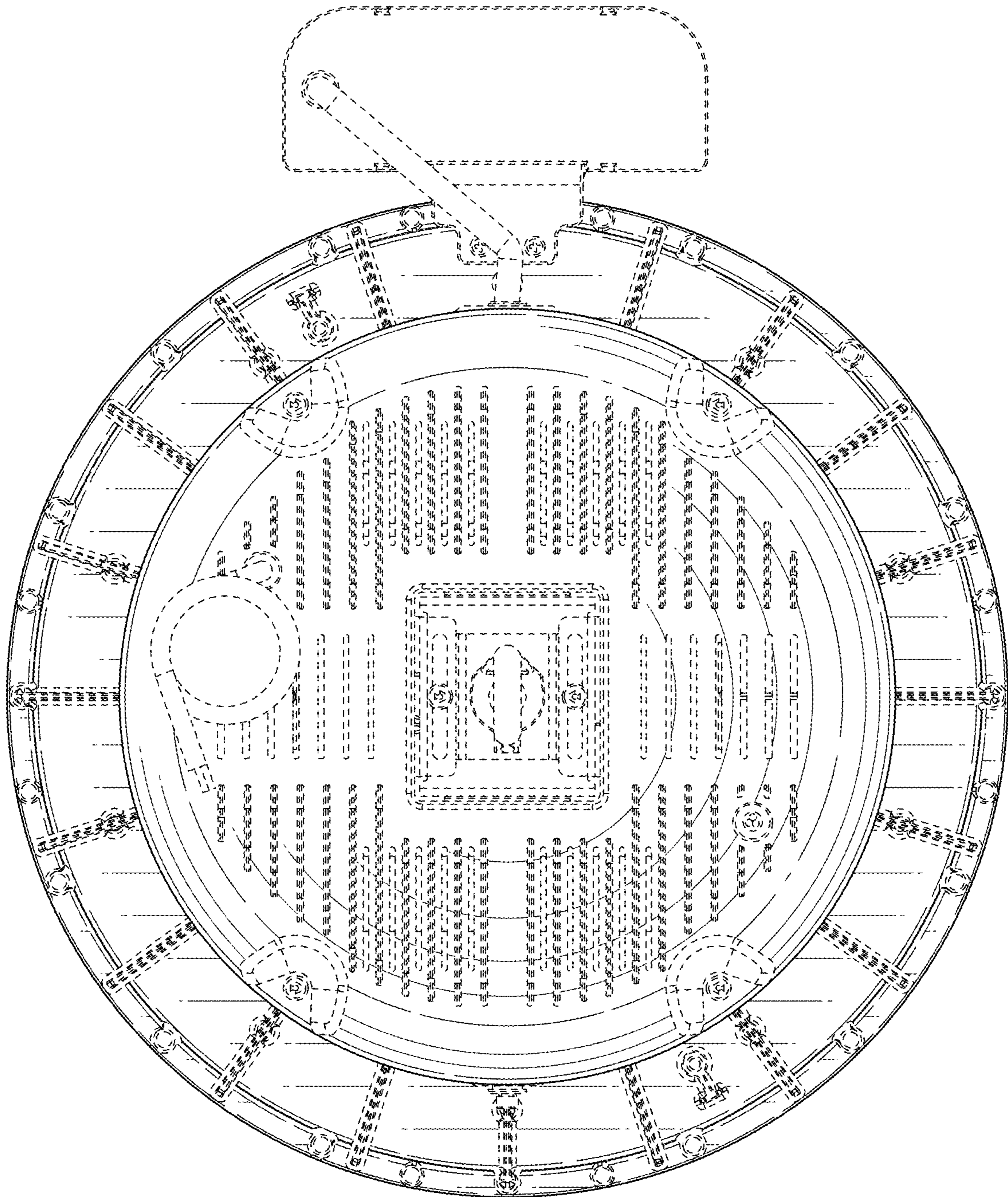


FIG. 6



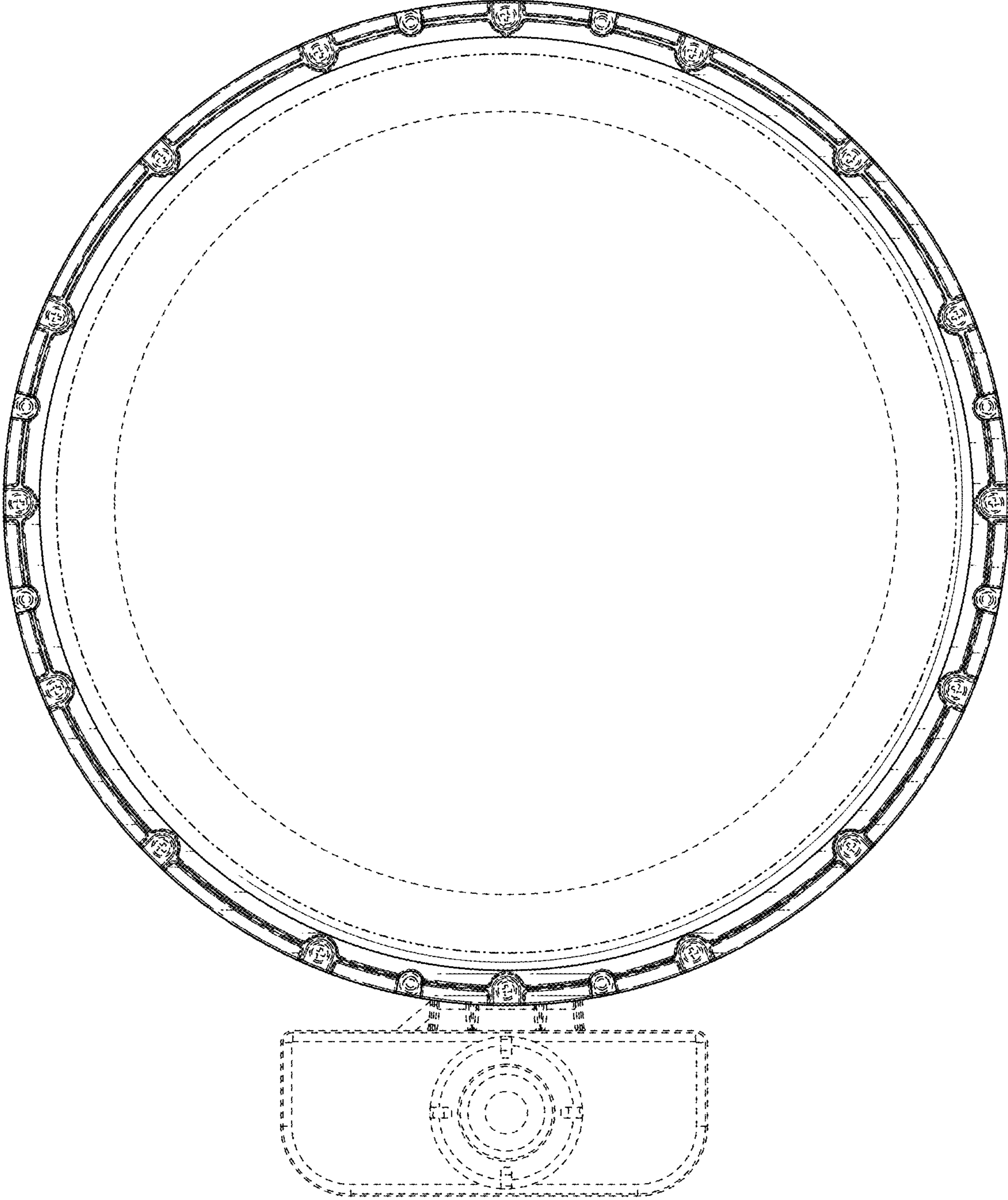


FIG. 7

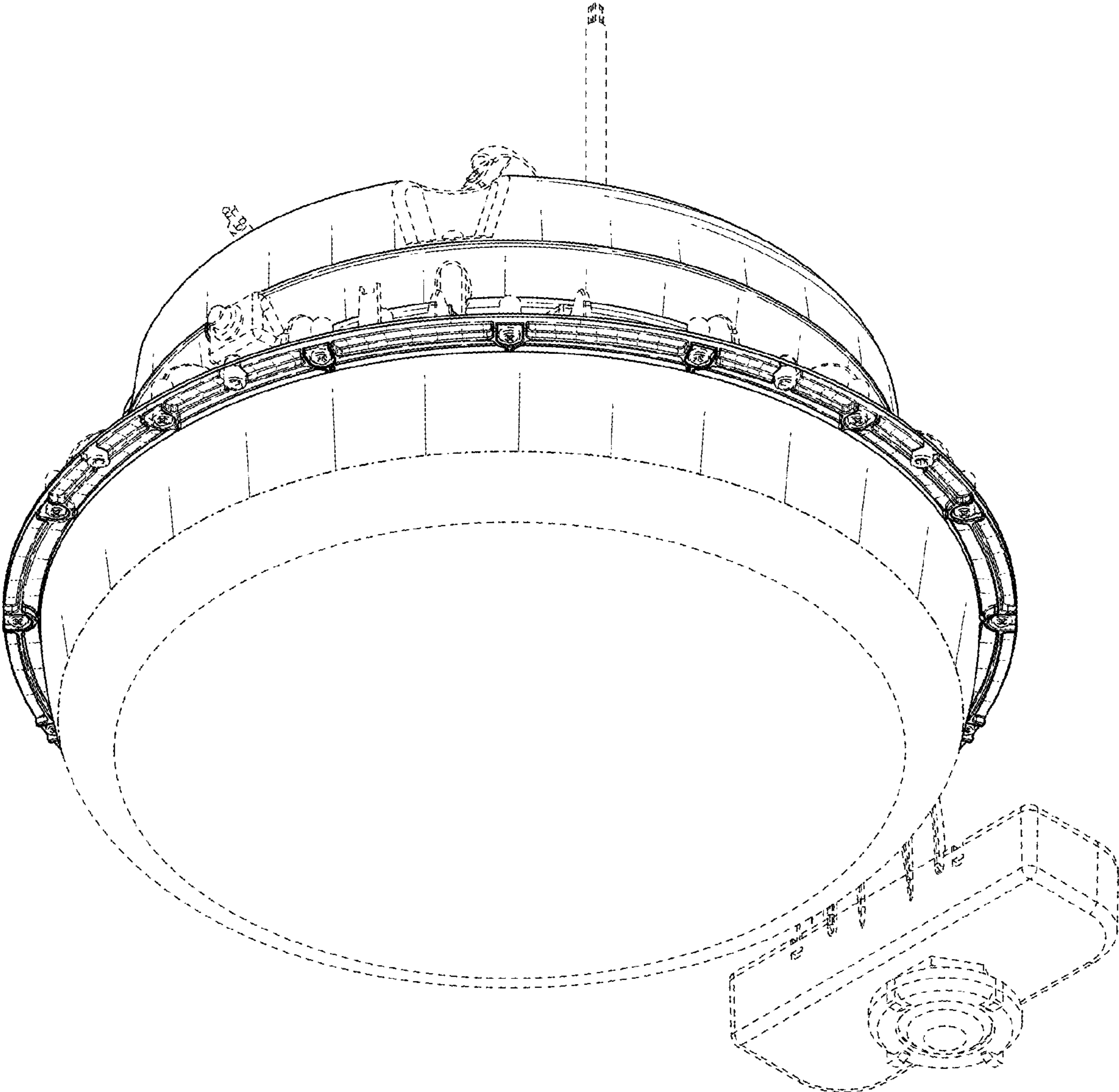


FIG. 8

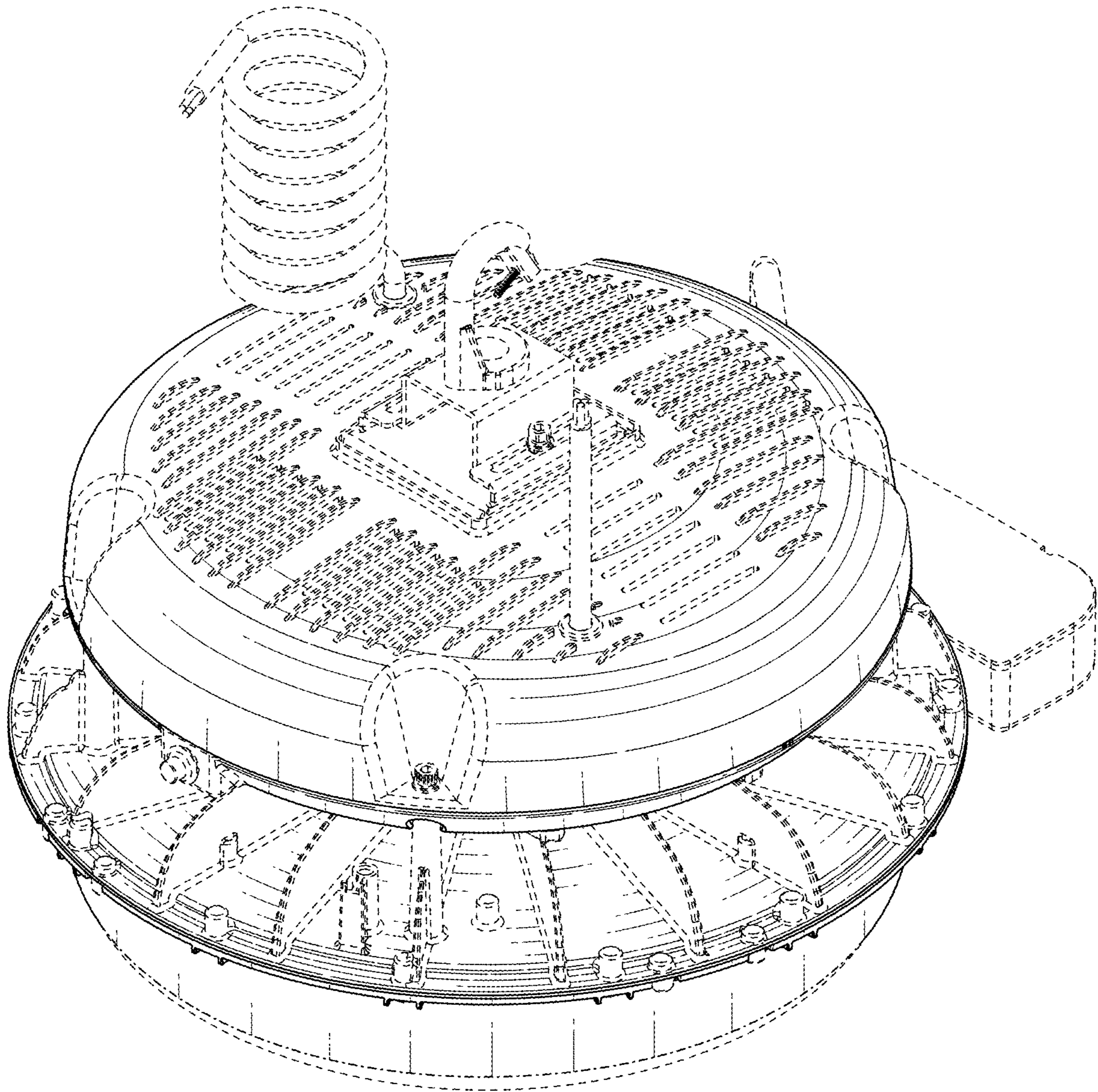


FIG. 9



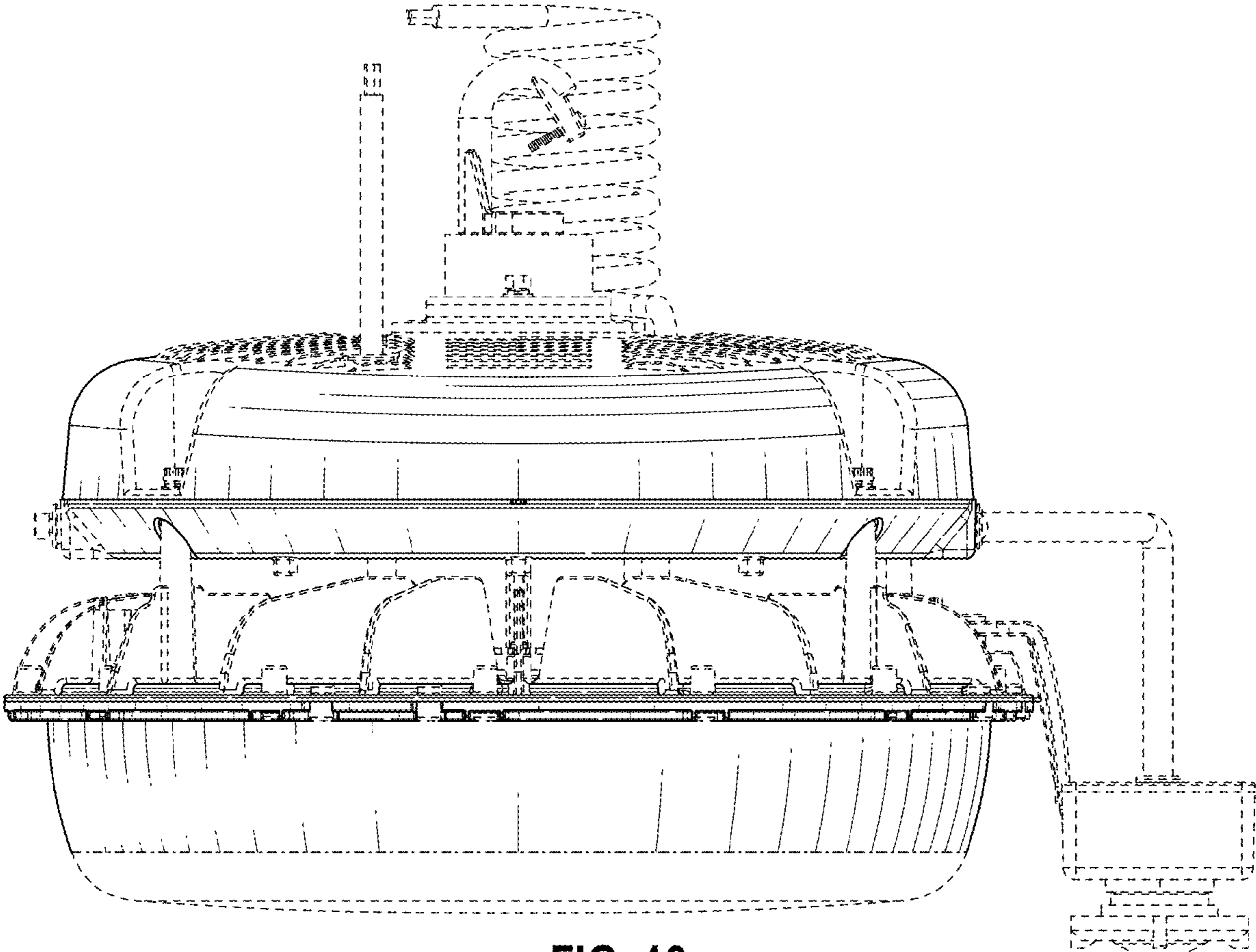


FIG. 10

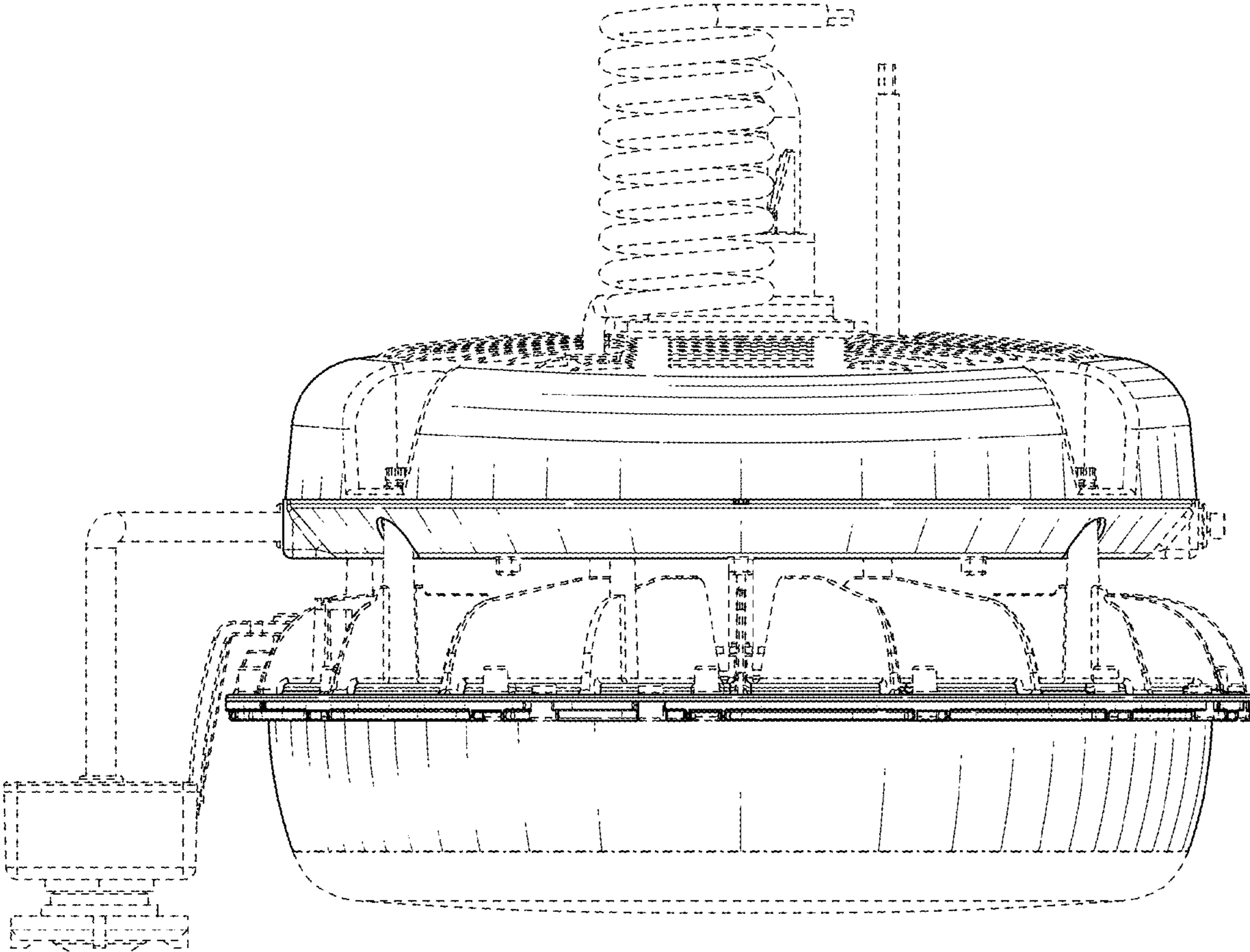


FIG. 11

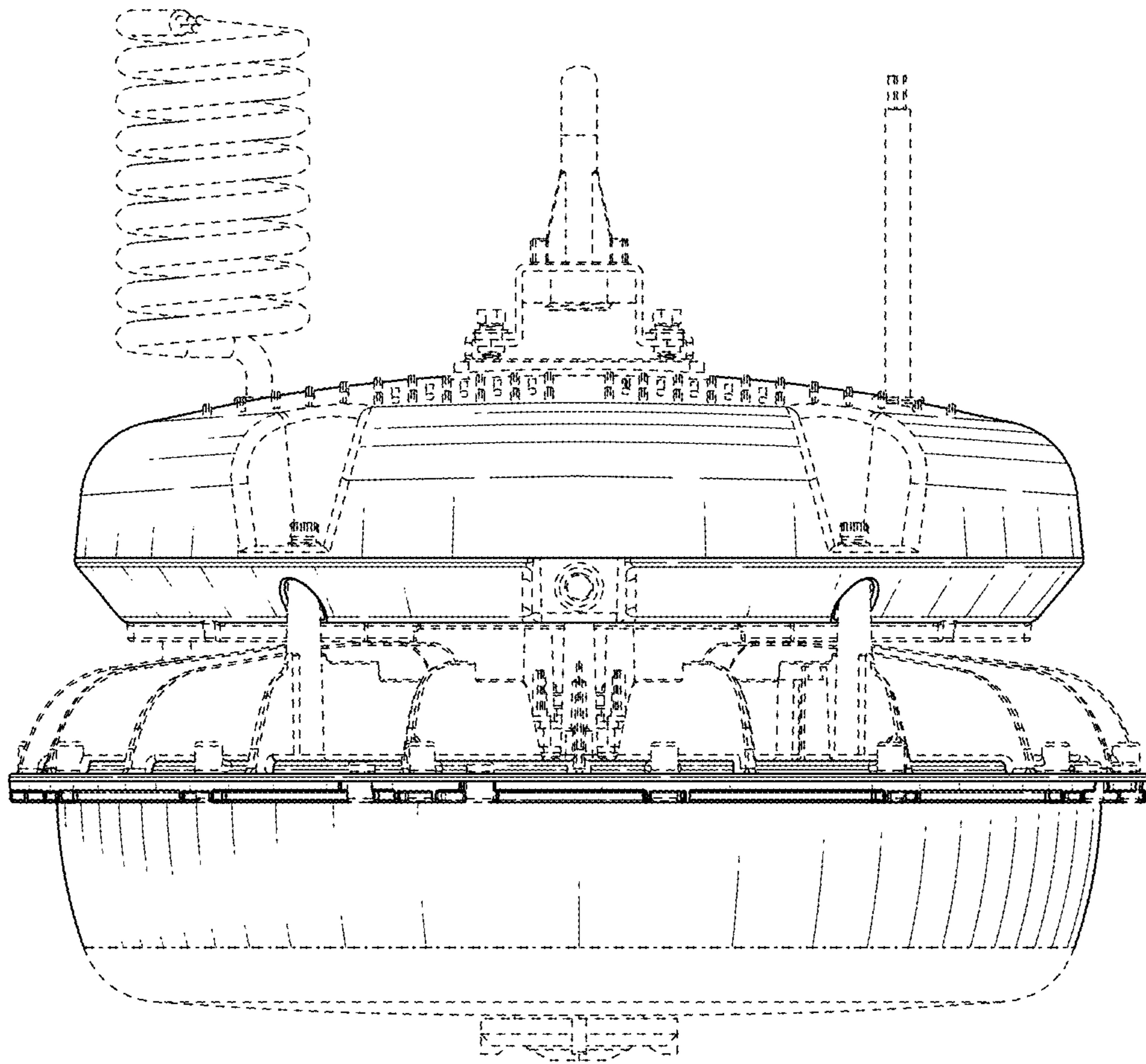


FIG. 12



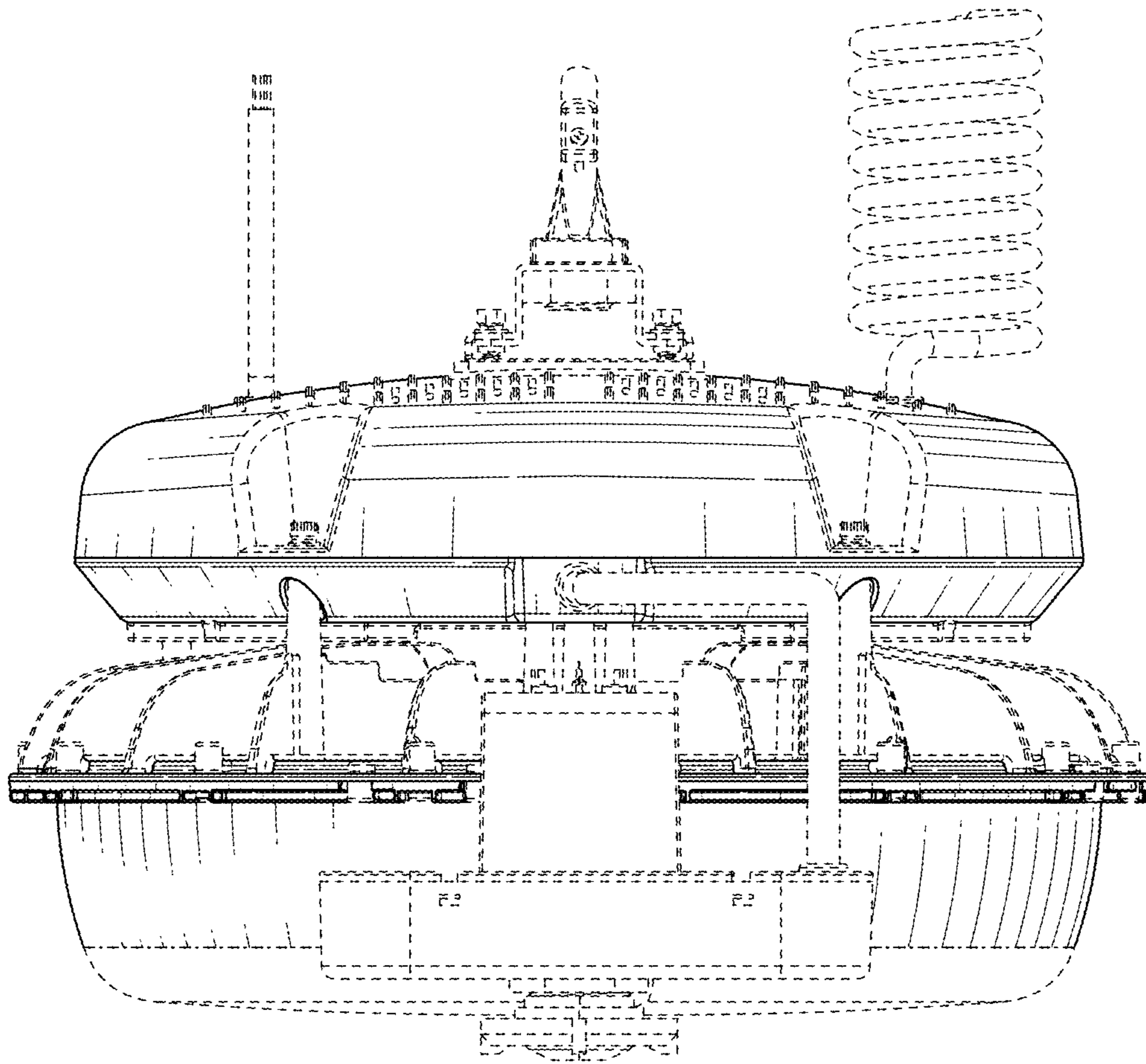


FIG. 13

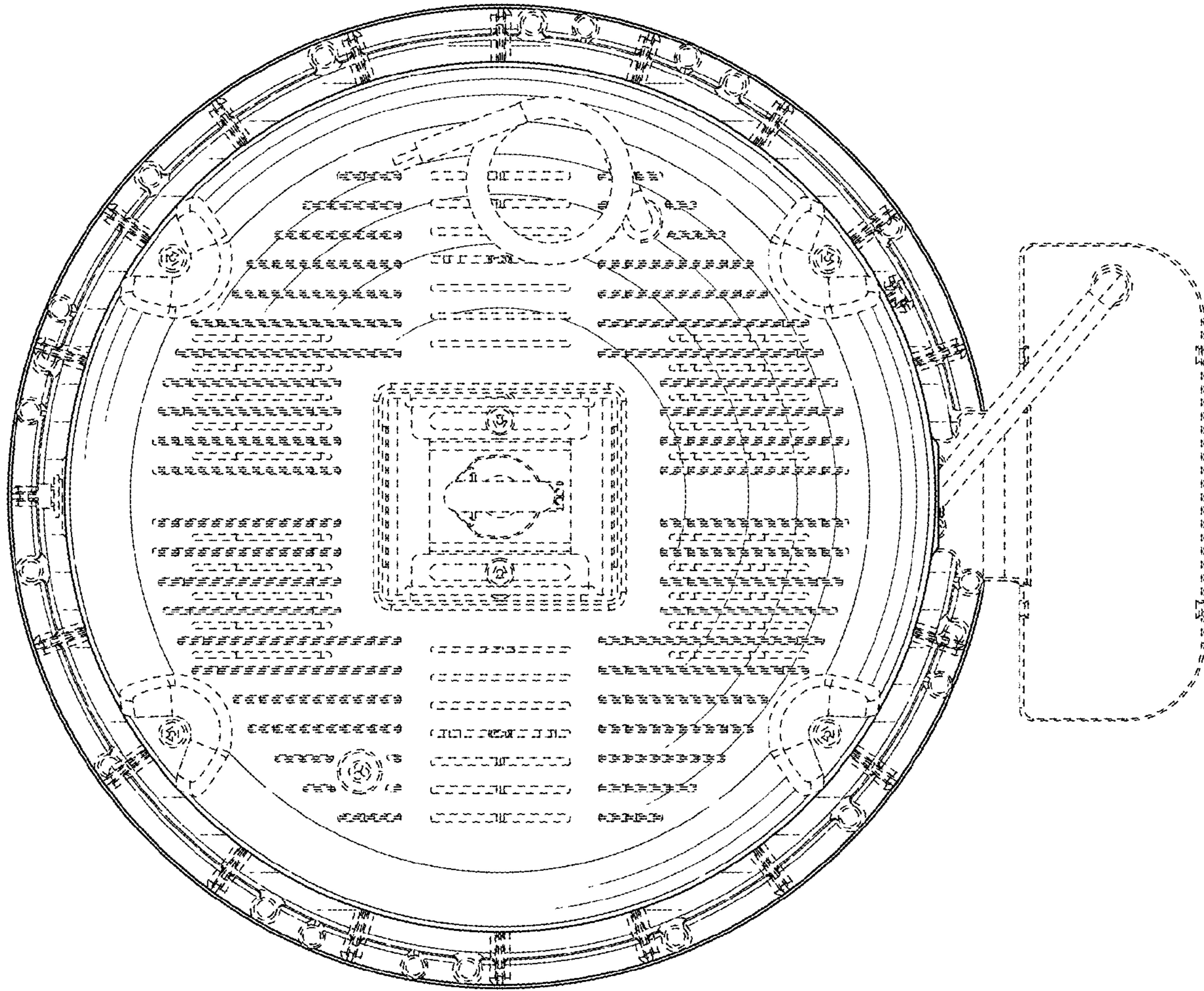


FIG. 14

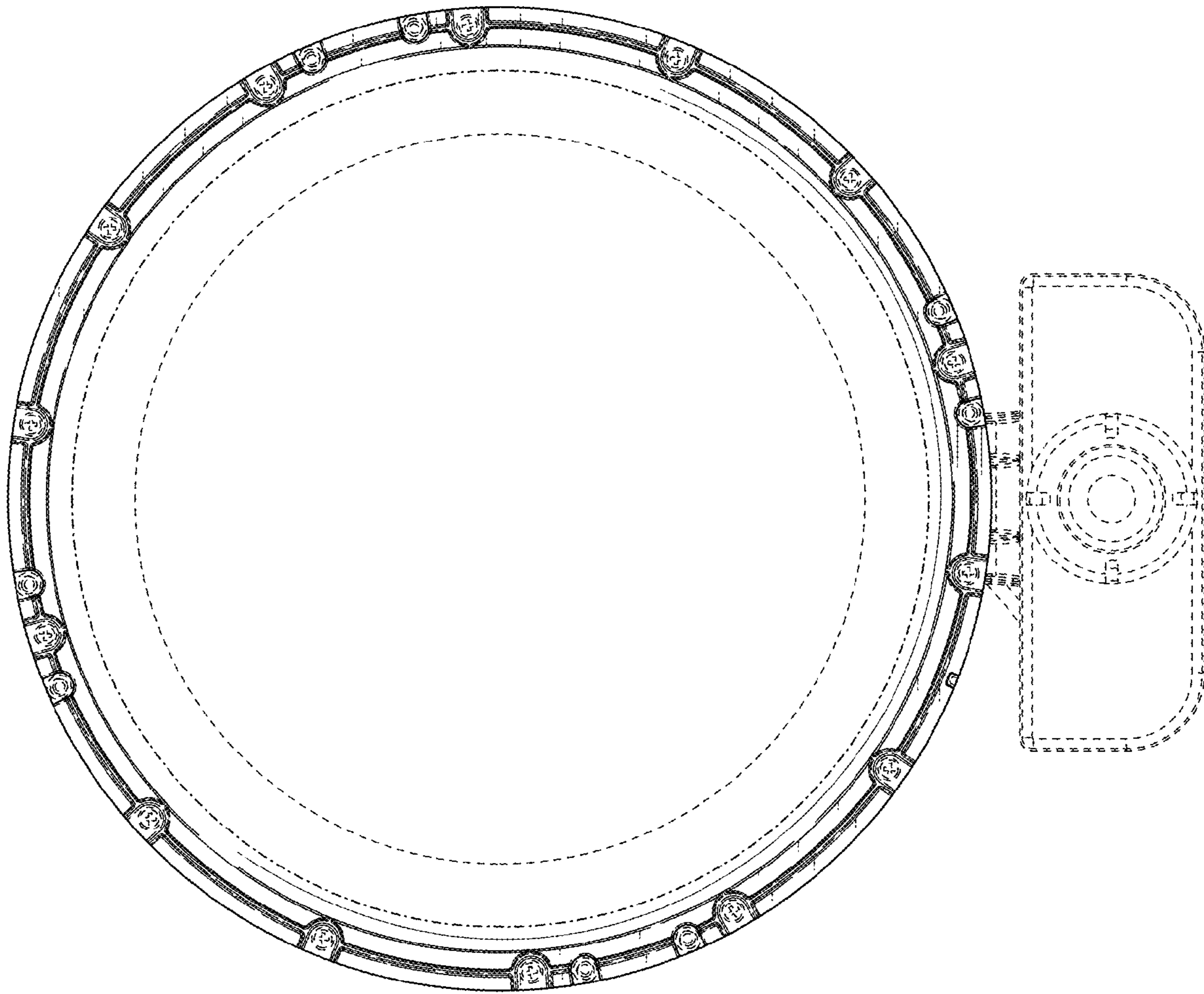


FIG. 15



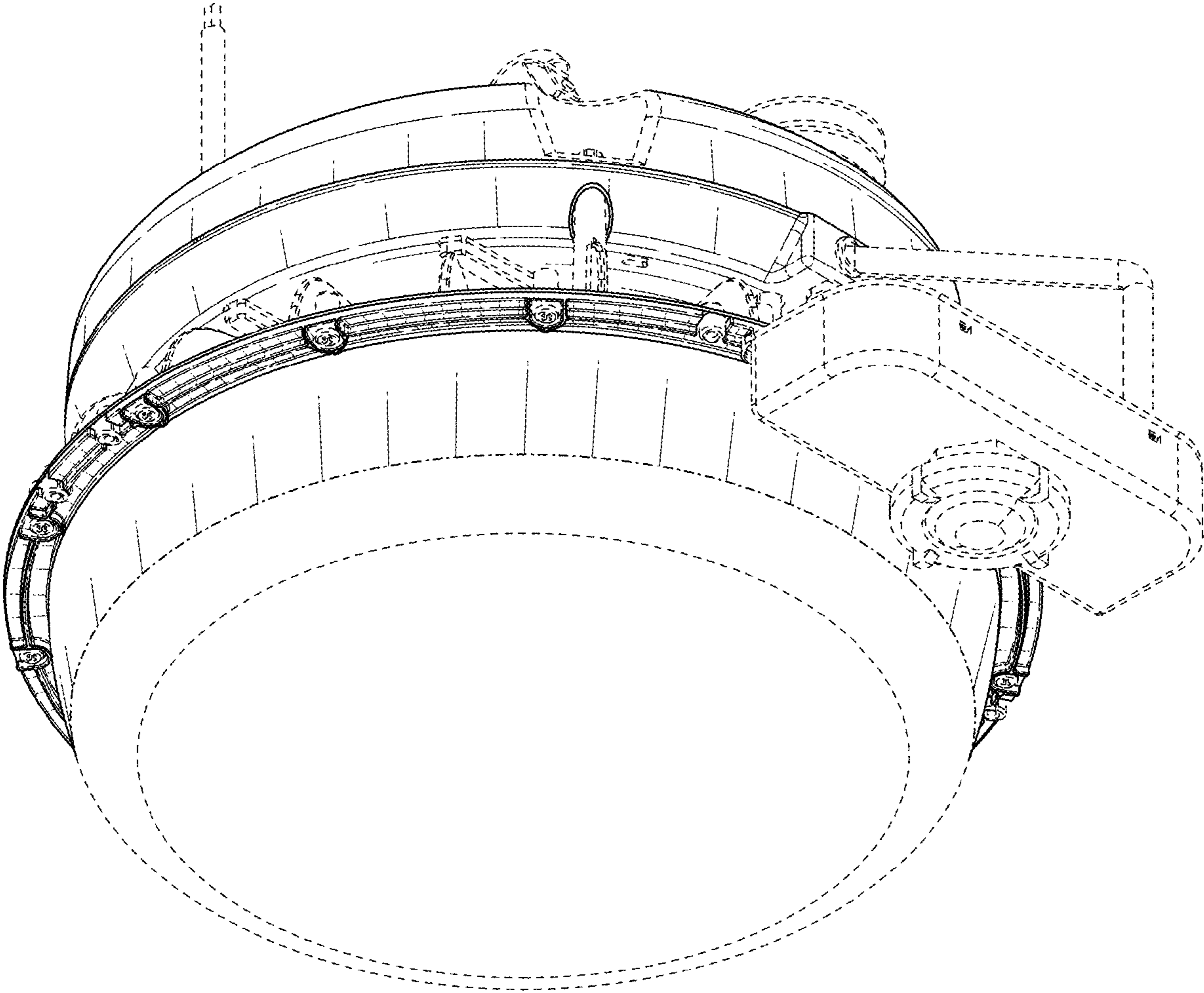


FIG. 16