



US00D988580S

(12) **United States Design Patent**
Pan

(10) **Patent No.:** **US D988,580 S**
(45) **Date of Patent:** **** Jun. 6, 2023**

- (54) **LED LAMP BRACKET**
- (71) Applicant: **SHENZHEN SNC OPTO ELECTRONIC CO., LTD.**, Shenzhen (CN)
- (72) Inventor: **Nianhua Pan**, Shenzhen (CN)
- (73) Assignee: **SHENZHEN SNC OPTO ELECTRONIC CO., LTD.**, Shenzhen (CN)

- D245,937 S * 9/1977 Shaw D26/24
- D245,938 S * 9/1977 Shaw D26/24
- 4,208,702 A * 6/1980 Wotowiec F21V 21/02
362/225
- D345,499 S * 3/1994 Padilla D8/381
- D488,708 S * 4/2004 Lam D8/363
- D523,736 S * 6/2006 Lu D8/373
- D639,150 S * 6/2011 Olson D8/380
- D653,797 S * 2/2012 McKee D26/138
- D657,907 S * 4/2012 McKee D26/138
- D672,901 S * 12/2012 Chiesurin D26/80

(Continued)

(**) Term: **15 Years**

OTHER PUBLICATIONS

(21) Appl. No.: **29/751,891**

“1000LED” reference by 1000 LED Inc on Amazon.com, date first available Dec. 26, 2018 [online], site visited Jun. 30, 2022, available from internet URL: <https://www.amazon.com/1000LED-Shoobox-Bracket-Adapter-Accessory/dp/B07MDFP2BT> (Year: 2018).*

(22) Filed: **Sep. 24, 2020**

(30) **Foreign Application Priority Data**

Sep. 15, 2020 (CN) 202030548660.X

Primary Examiner — Richard Kearney
Assistant Examiner — Liv C Anderson

(51) **LOC (14) Cl.** **26-05**

(52) **U.S. Cl.**
USPC **D26/138; D8/380**

(57) **CLAIM**

(58) **Field of Classification Search**
USPC D26/72, 113, 118–122, 138–142, 145,
D26/152, 154, 155, 24, 59, 63, 74, 85,
D26/123–125, 128–134, 137; D8/349,
D8/380, 381
CPC F21S 8/00; F21K 9/20; F21K 9/237; F21V
15/013; F21V 17/04; F21V 21/00; F21V
21/02
See application file for complete search history.

The ornamental design for an LED lamp bracket, as shown and described.

DESCRIPTION

(56) **References Cited**

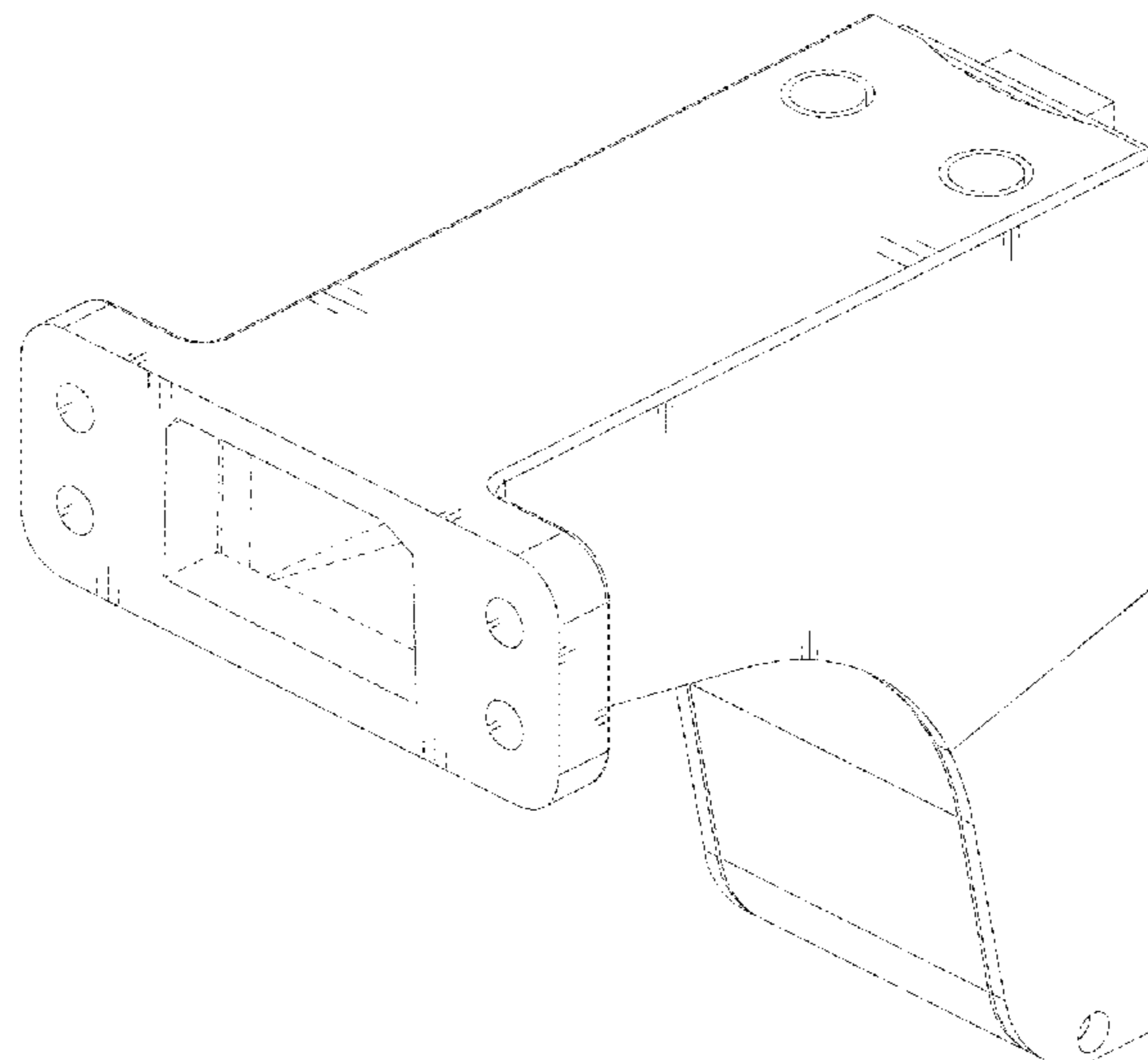
U.S. PATENT DOCUMENTS

- D27,213 S * 6/1897 Corbin D8/349
- D30,189 S * 2/1899 Cross D8/349
- 3,474,338 A * 10/1969 Stoler G01D 13/10
324/97
- 3,955,076 A * 5/1976 Shaw F21S 9/02
362/183

FIG. 1 is a perspective view of an LED lamp bracket showing my new design;
FIG. 2 is a front elevational view thereof;
FIG. 3 is a rear elevational view thereof;
FIG. 4 is a left side elevational view thereof;
FIG. 5 is a right side elevational view thereof;
FIG. 6 is a top plan view thereof;
FIG. 7 is a bottom plan view thereof; and,
FIG. 8 is an exploded view of the LED lamp bracket shown in FIG. 1.

The broken lines in the drawings depict portions of the LED lamp bracket that form no part of the claimed design.

1 Claim, 8 Drawing Sheets



(56)

References Cited

U.S. PATENT DOCUMENTS

D706,122 S * 6/2014 Cayouette D8/381
D752,421 S * 3/2016 Atkins D8/373
D808,576 S * 1/2018 Clarke D8/354
D813,442 S * 3/2018 Cho D26/113
D817,536 S * 5/2018 Torres Torres D26/85
D846,793 S * 4/2019 Antony D26/140
D859,966 S * 9/2019 Rassat D8/380
D880,982 S * 4/2020 Morehead D8/349
D899,674 S * 10/2020 He D26/138
D943,139 S * 2/2022 Roberson D26/138
2019/0346121 A1 * 11/2019 Zhu F21V 21/14

* cited by examiner

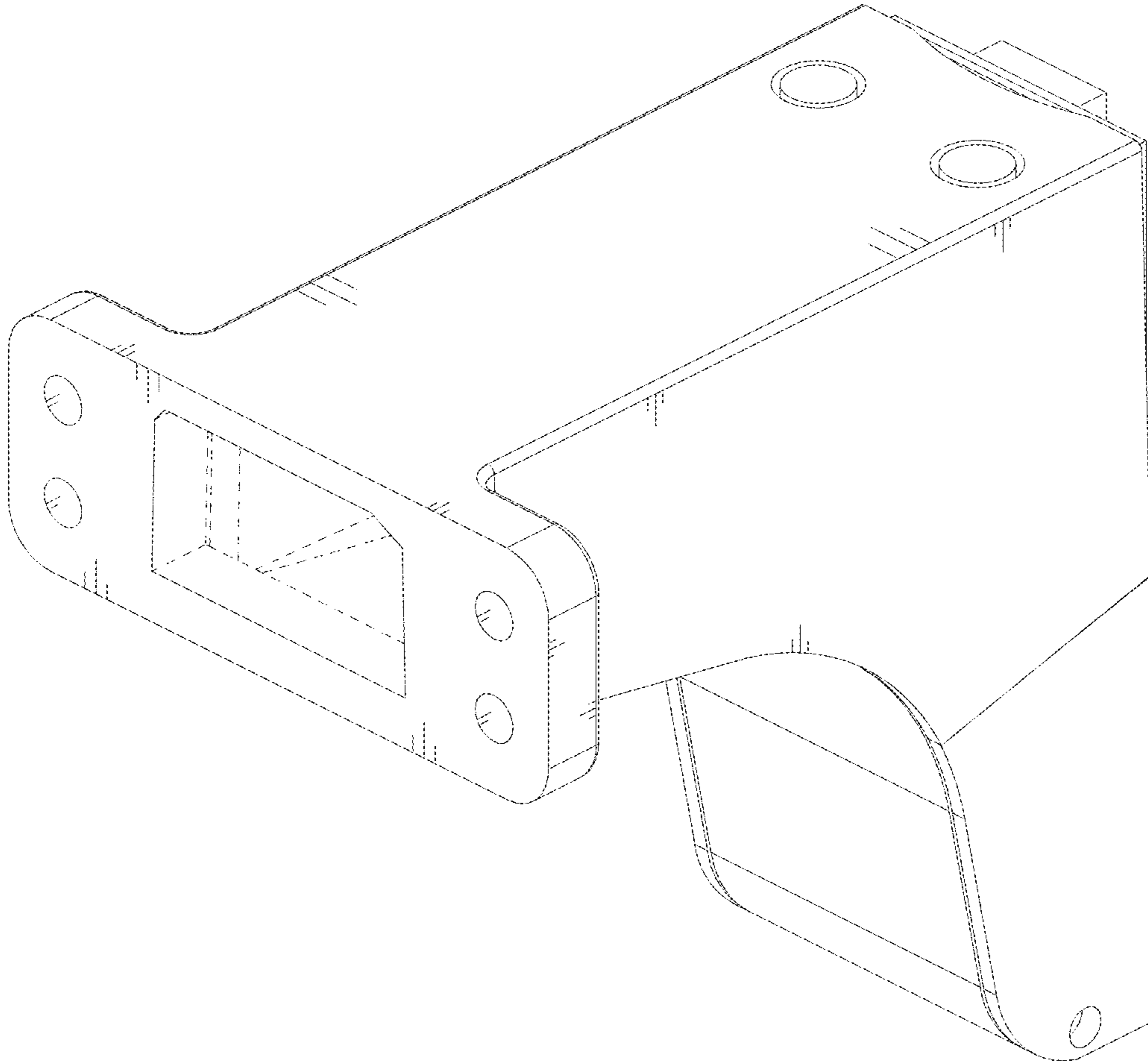


FIG. 1

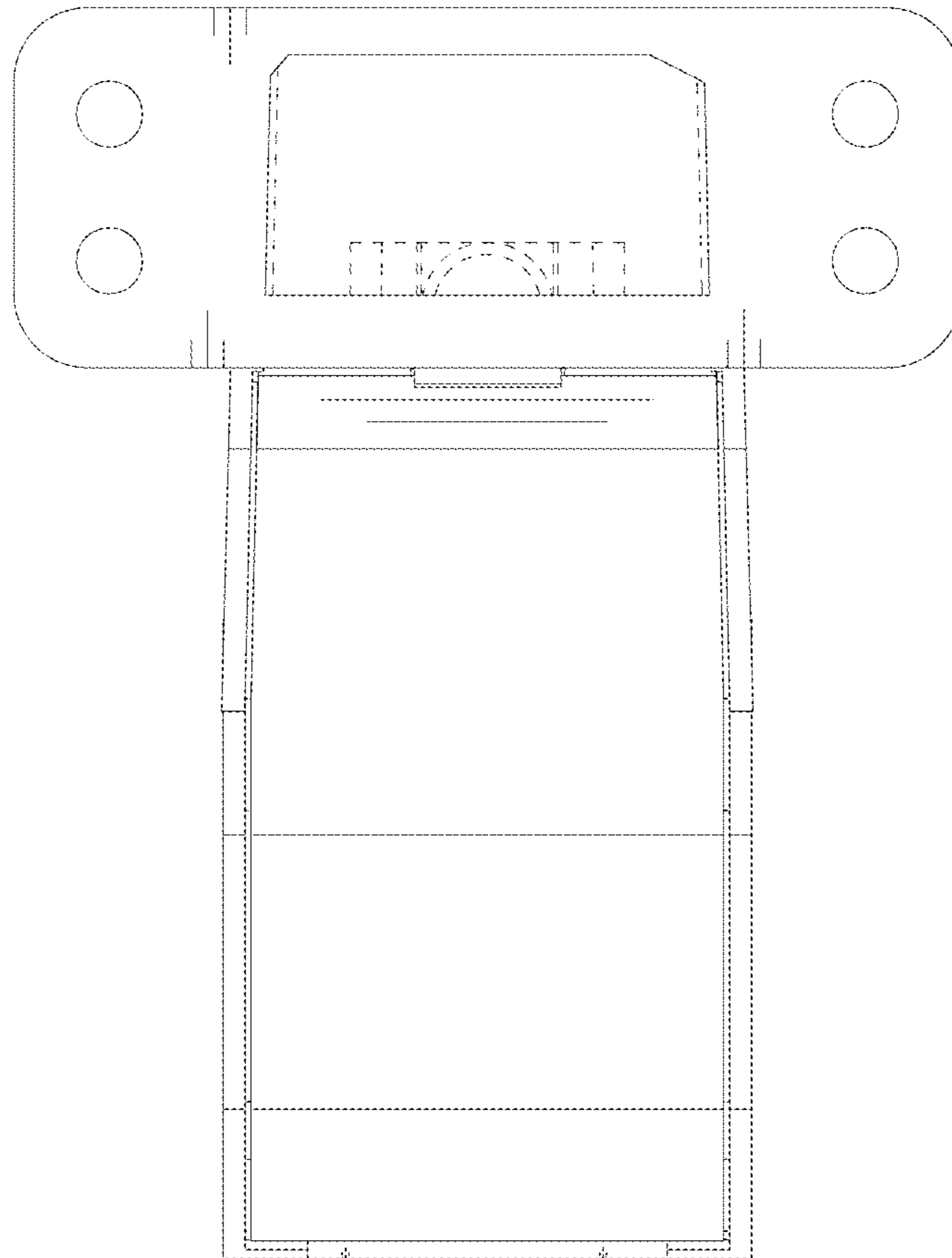


FIG. 2

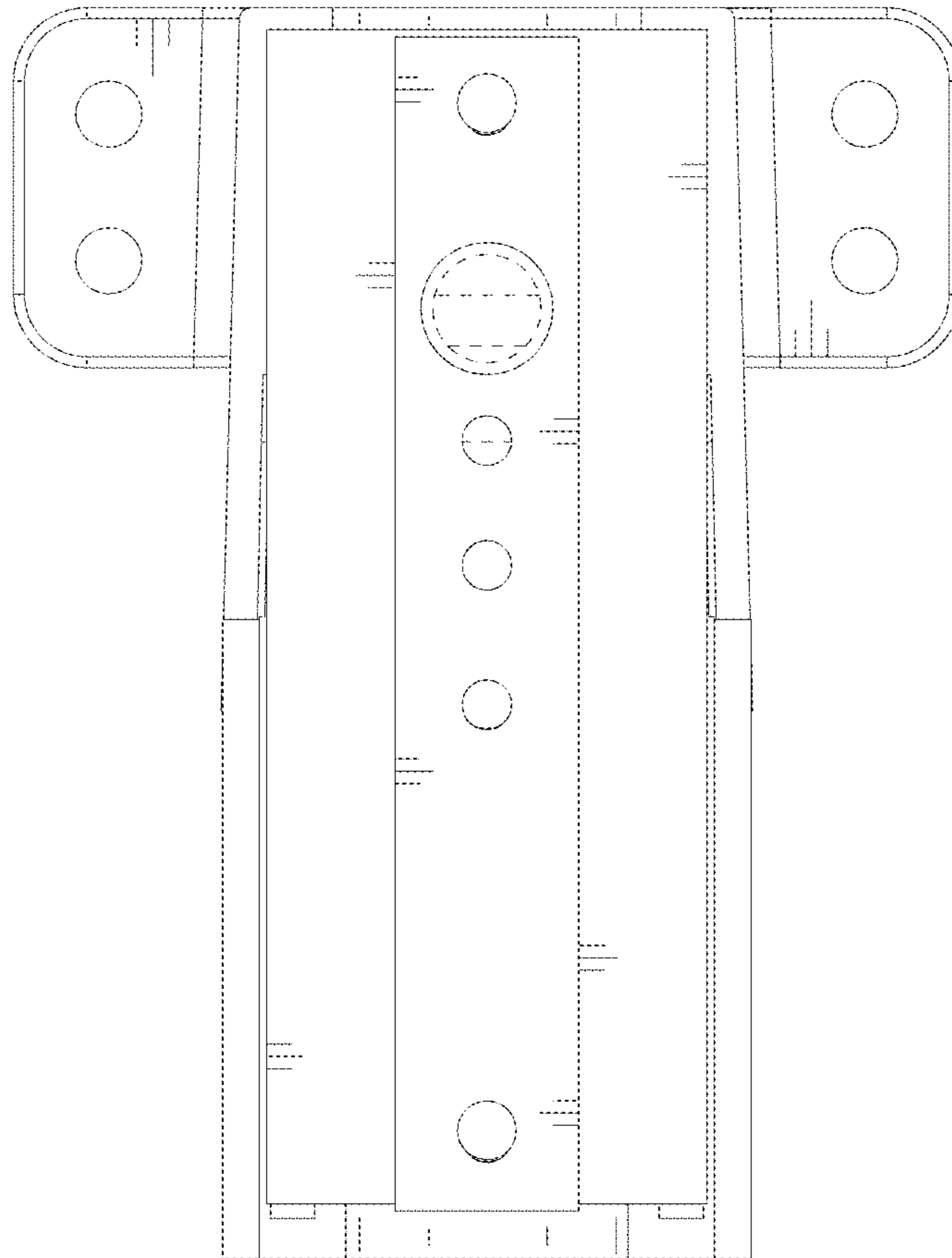


FIG. 3

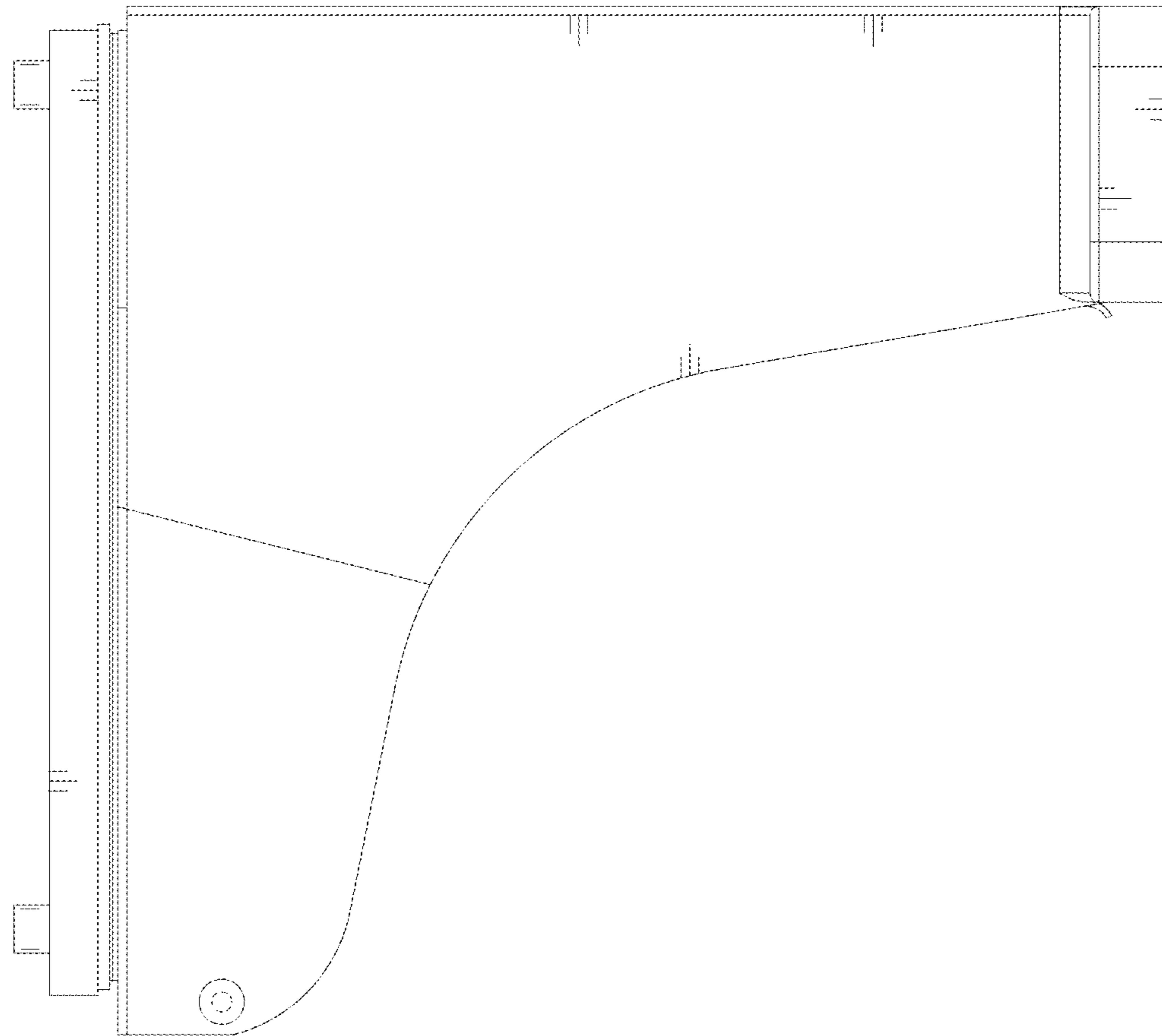


FIG. 4

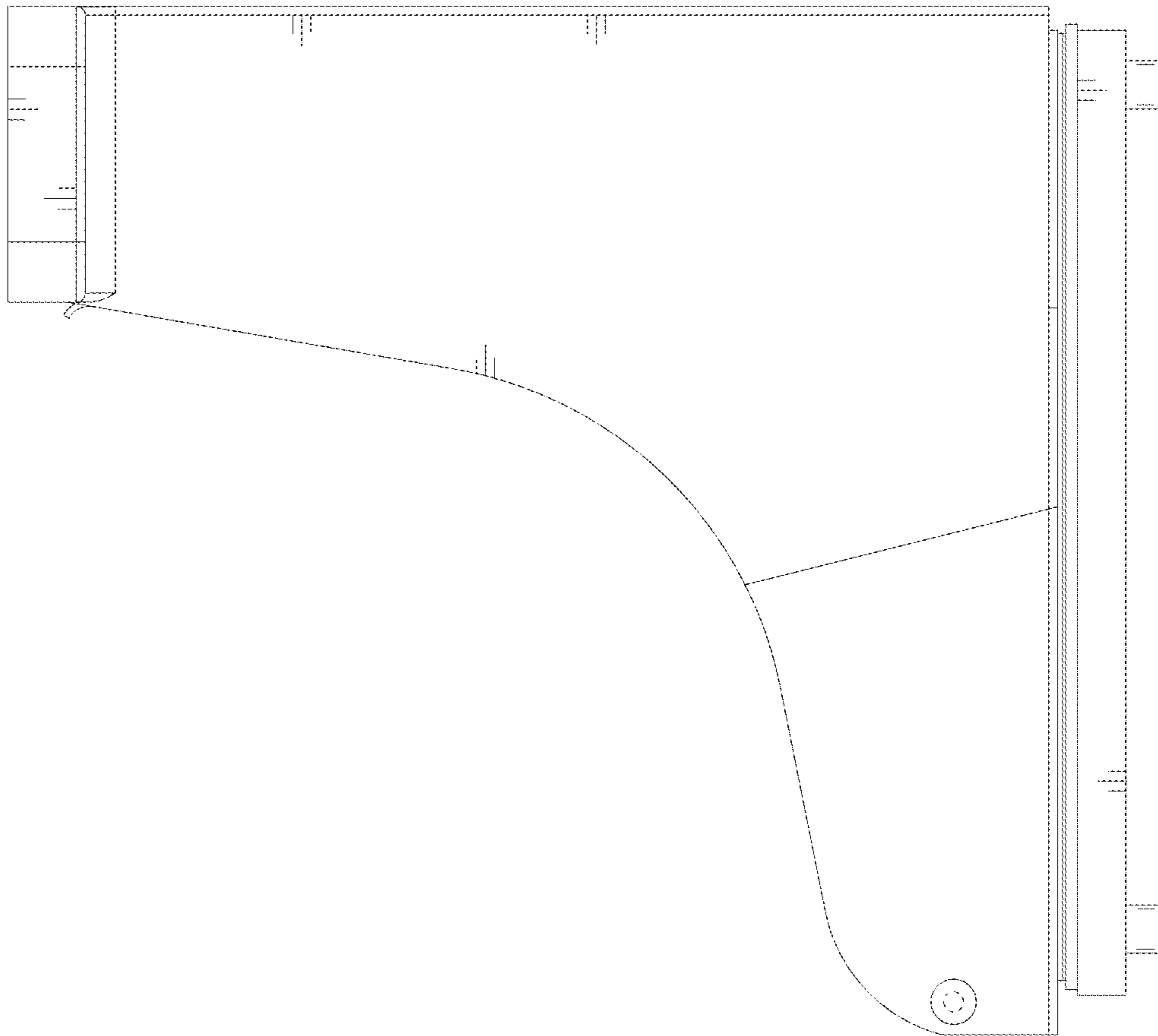


FIG. 5

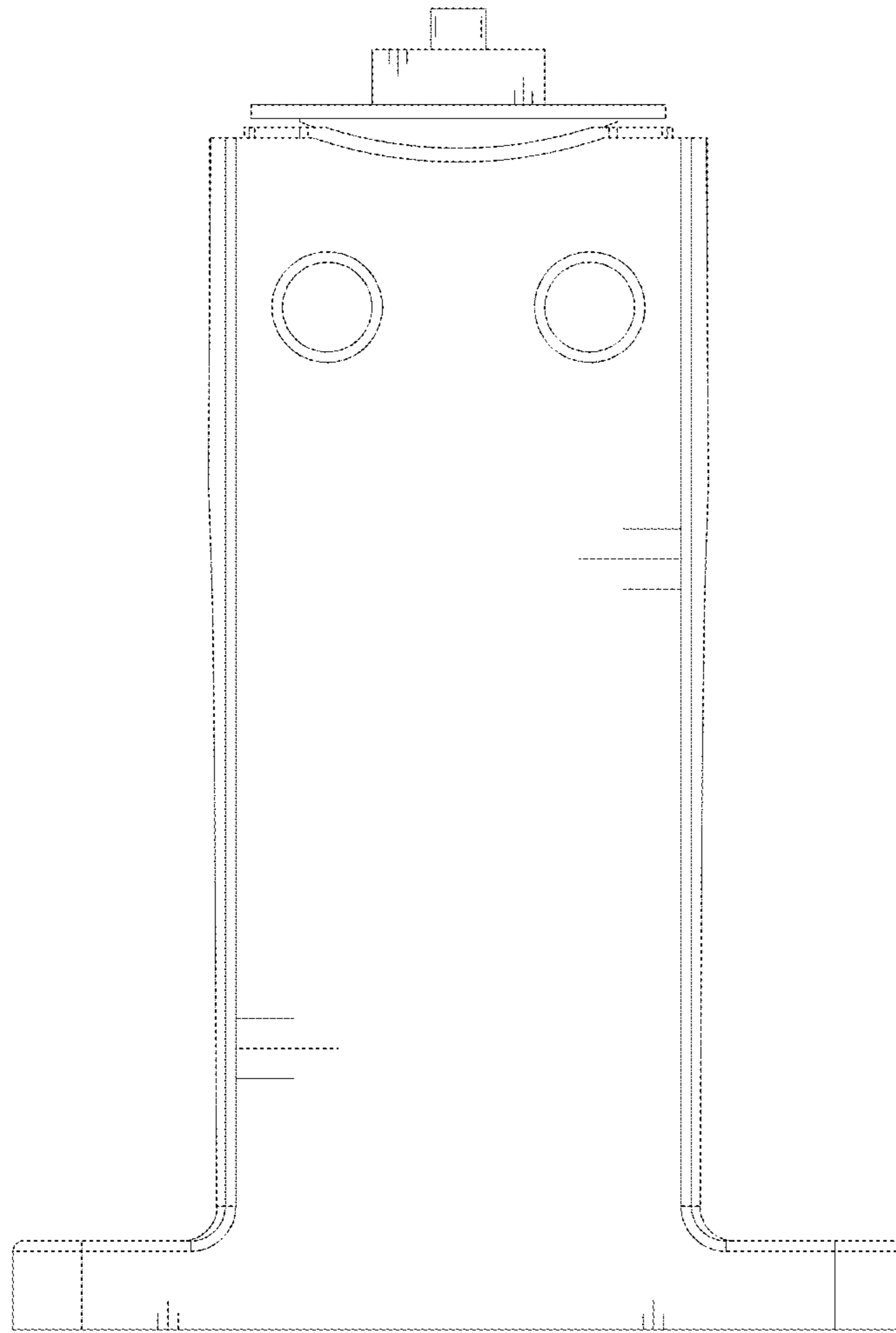


FIG. 6

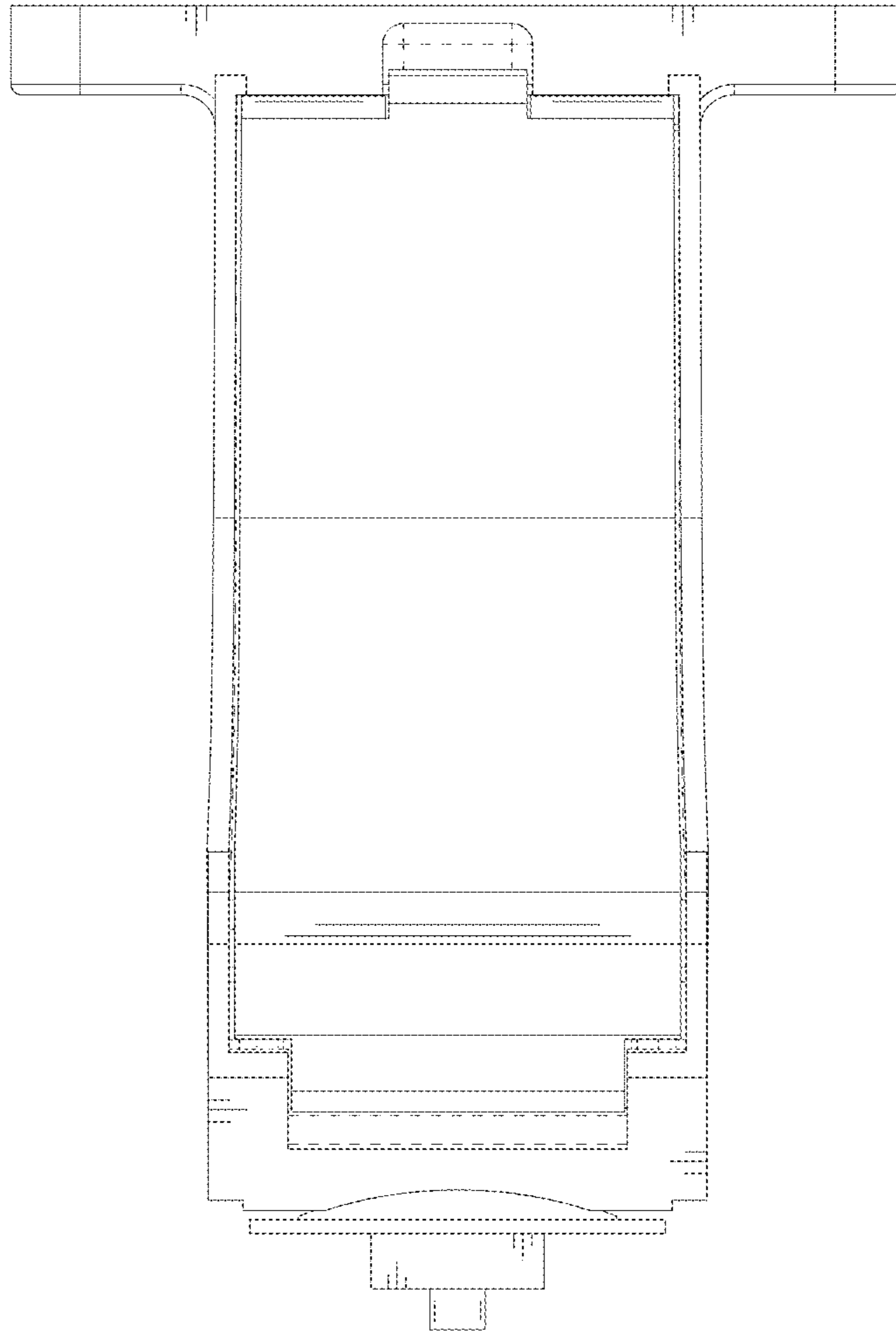


FIG. 7

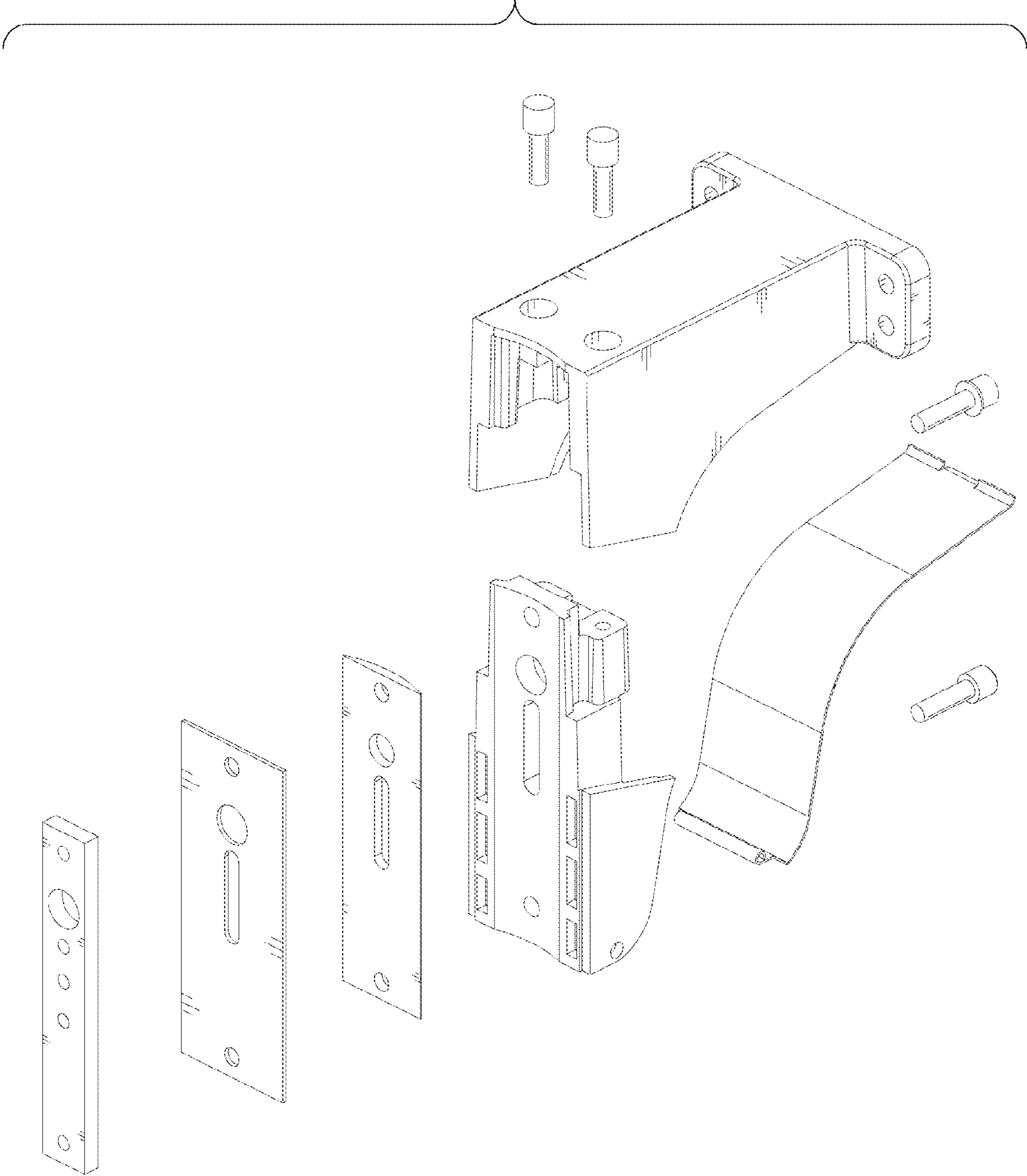


FIG. 8