



US00D988579S

(12) **United States Design Patent**  
**Cui et al.**

(10) **Patent No.:** **US D988,579 S**  
(45) **Date of Patent:** **\*\* Jun. 6, 2023**

(54) **FLOOR LAMP**  
(71) Applicant: **Andon Health Co., Ltd.**, Tianjin (CN)  
(72) Inventors: **He Cui**, Tianjin (CN); **Fei Zhang**,  
Tianjin (CN)  
(73) Assignee: **Andon Health Co., Ltd.**, Tianjin (CN)  
(\*\*) Term: **15 Years**

3,535,508 A \* 10/1970 Warshauer ..... F21S 6/003  
248/231.71  
D316,907 S \* 5/1991 Barbaglia ..... D26/62  
D512,171 S \* 11/2005 Opolka ..... D26/62  
D728,847 S \* 5/2015 Wiedenmann ..... D26/107  
9,777,902 B1 \* 10/2017 Katterheinrich ..... F21V 1/04  
D899,669 S \* 10/2020 Liu ..... D26/108  
10,816,182 B1 \* 10/2020 Chen ..... F21K 9/20  
D958,444 S \* 7/2022 Gong ..... D26/107

(21) Appl. No.: **29/759,043**  
(22) Filed: **Nov. 19, 2020**  
(30) **Foreign Application Priority Data**

Nov. 9, 2020 (CN) ..... 202030674535.3

(51) **LOC (14) Cl.** ..... **26-05**  
(52) **U.S. Cl.**  
USPC ..... **D26/107**  
(58) **Field of Classification Search**  
USPC ..... D24/107, 188, 200, 209–210; D26/24,  
D26/61–66, 72, 73, 75–79, 85, 87, 92, 93,  
D26/102, 104, 106–110, 112, 125, 128,  
D26/129, 138, 142, 145, 155  
CPC .. F21S 6/002; F21S 6/003; F21S 6/004; F21S  
6/005; F21V 1/00; F21V 1/02; F21V  
1/04; F21V 1/06; F21V 1/08; F21V 1/12;  
F21V 1/14; F21W 2131/20  
See application file for complete search history.

(56) **References Cited**

**U.S. PATENT DOCUMENTS**

D105,508 S \* 8/1937 Andres ..... D24/210  
2,878,371 A \* 3/1959 Hanlin ..... F21V 29/15  
362/351  
D194,648 S \* 2/1963 Rosten ..... D19/78  
D217,063 S \* 3/1970 Daito ..... D26/62

**OTHER PUBLICATIONS**

Vescazme LED Medical Examination Lamp, first available Aug. 3, 2022, retrieved Feb. 17, 2023 from URL: <https://www.amazon.com/VESCAZME-Examination-Standing-Surgical-Gooseneck/dp/B0B8GBFTD6/> (Year: 2022).\*

(Continued)

*Primary Examiner* — Richard Kearney  
*Assistant Examiner* — Christina M. Dodson  
(74) *Attorney, Agent, or Firm* — Westbridge IP LLC

(57) **CLAIM**

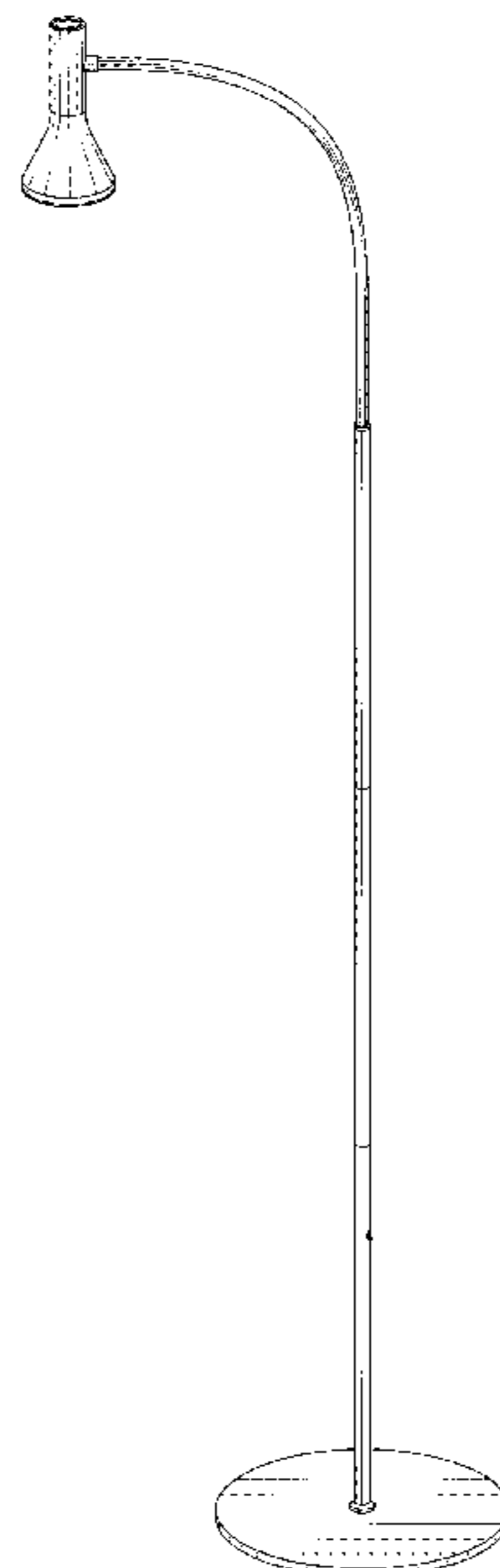
The ornamental design for a floor lamp, as shown and described.

**DESCRIPTION**

FIG. 1 is a rear perspective view of a floor lamp showing our new design;  
FIG. 2 is a front elevational view thereof;  
FIG. 3 is a rear elevational view thereof;  
FIG. 4 is a left side elevational view thereof;  
FIG. 5 is a right side elevational view thereof;  
FIG. 6 is a top plan view thereof; and,  
FIG. 7 is a reference view showing the floor lamp in an alternate state of use.

The bottom plan view is omitted since the bottom of the floor lamp is not visible when the floor lamp is in use and does not contain ornamental design.

**1 Claim, 4 Drawing Sheets**



(56)

**References Cited**

OTHER PUBLICATIONS

Lepower LED Floor Lamp, first available Sep. 27, 2021, retrieved Feb. 17, 2023 from URL: <https://www.amazon.com/LEPOWER-Standing-Adjustable-3000K-6000K-Brightness/dp/B09H6W7GR6?th=1> (Year: 2021).\*

Lepower Adjustable Gooseneck Floor Lamp, first available Jan. 11, 2018, retrieved Feb. 17, 2023 from URL: <https://www.amazon.com/dp/B078YP29Q1/?th=1> (Year: 2018).\*

7 Lighting Design Trends for 2018, Luxuo, published Jan. 29, 2018, retrieved Feb. 17, 2018 from URL: <https://www.luxuo.com/properties/interiors/7-lighting-design-trends-for-2018.html> (Year: 2018).\*

\* cited by examiner

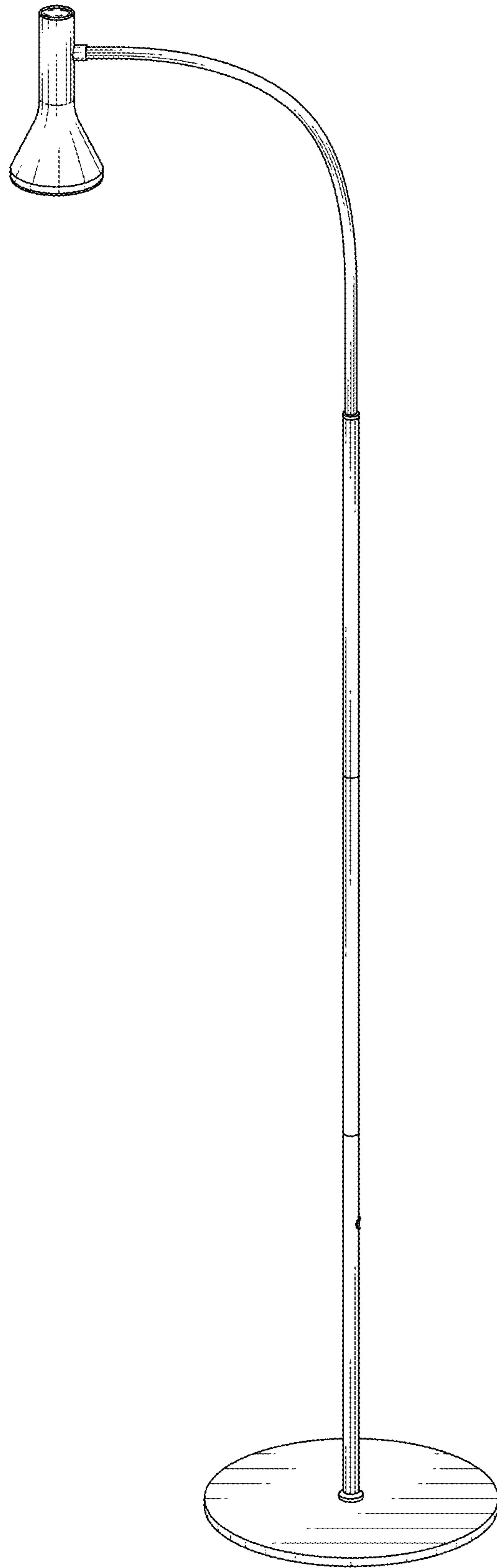


FIG. 1

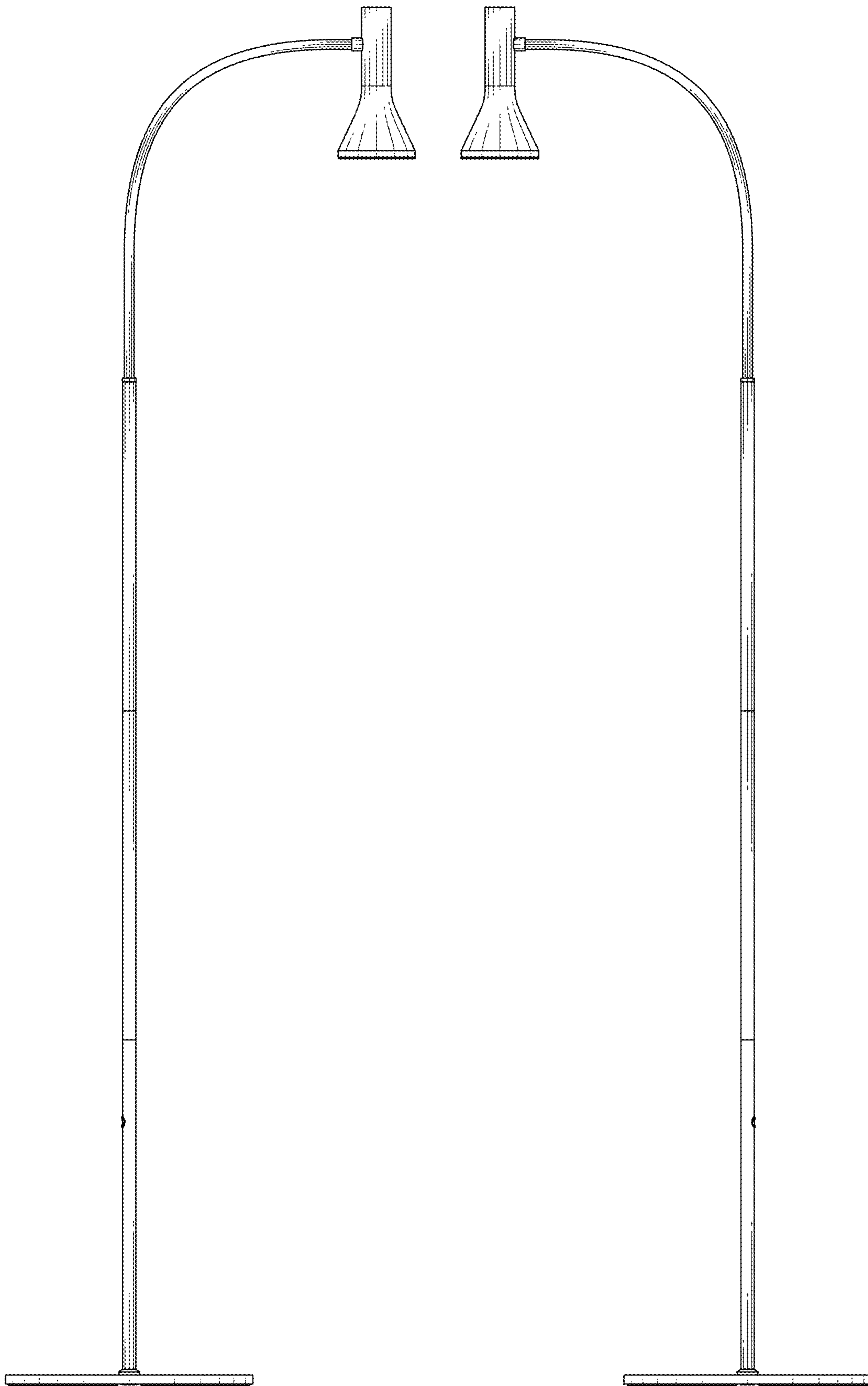


FIG. 2

FIG. 3

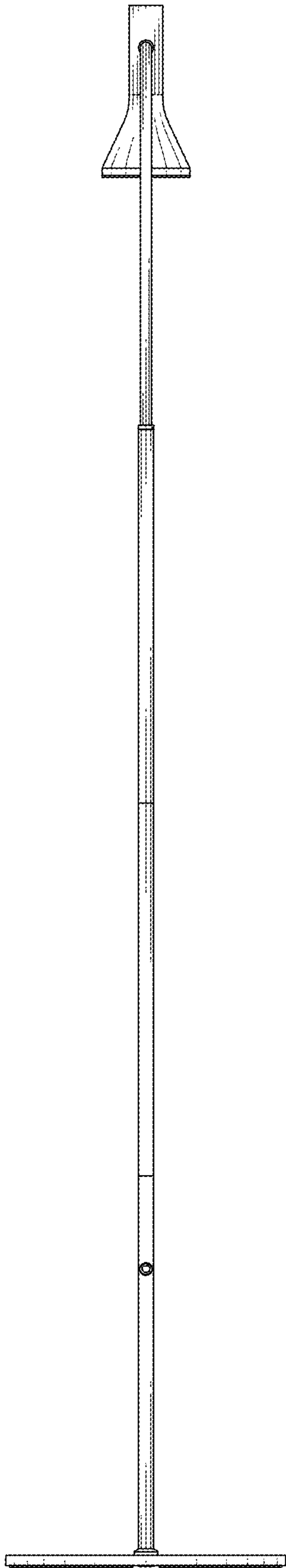


FIG. 4

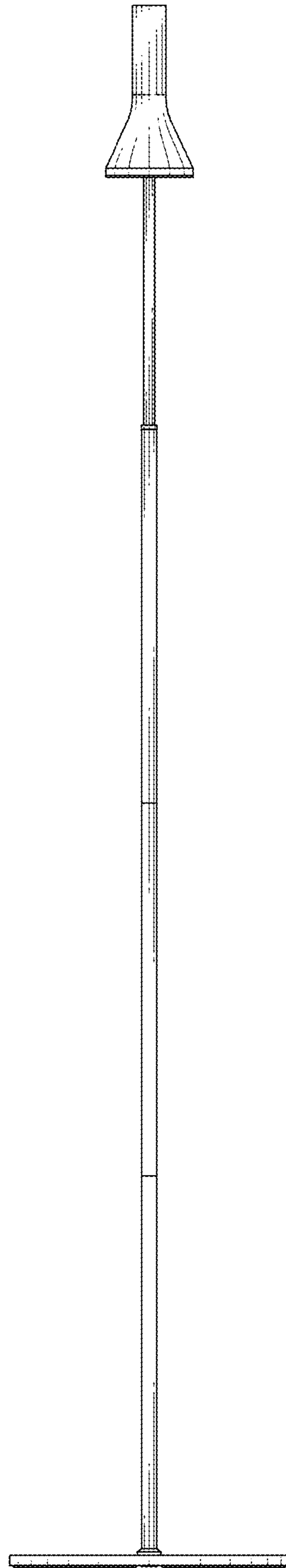


FIG. 5

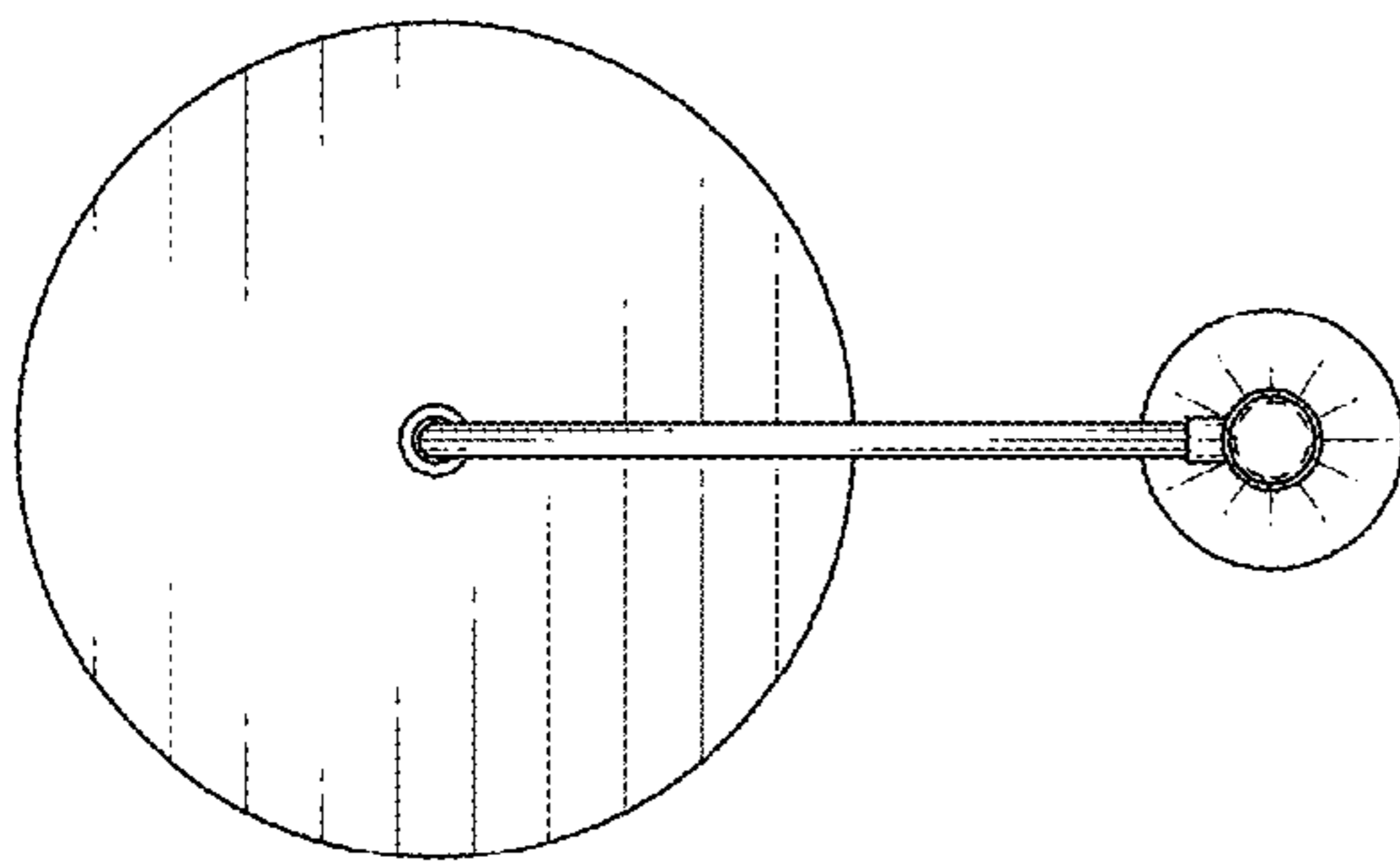


FIG. 6

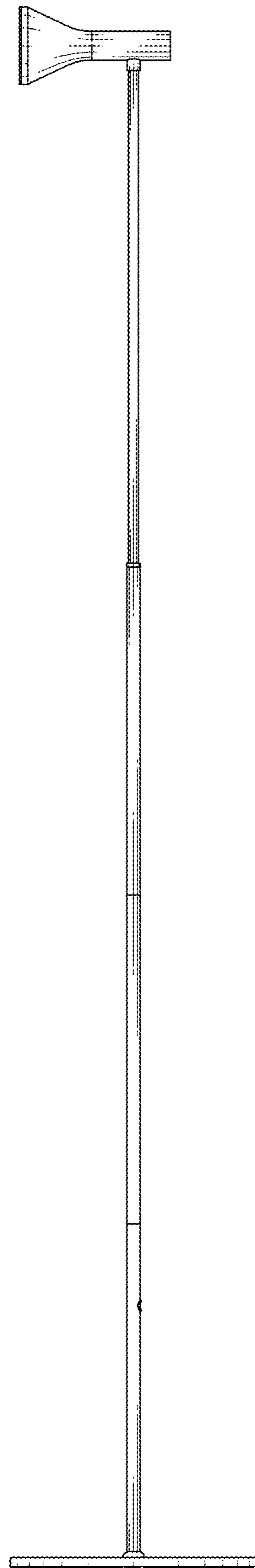


FIG. 7