



US00D988578S

(12) **United States Design Patent** (10) **Patent No.:** **US D988,578 S**
Ng et al. (45) **Date of Patent:** **** Jun. 6, 2023**

(54) **LAMP**
(71) Applicant: **Koncept Technologies, Inc.**, Monrovia, CA (US)
(72) Inventors: **Kenneth Ng**, Monrovia, CA (US); **Edmund Ng**, Monrovia, CA (US)
(73) Assignee: **KONCEPT TECHNOLOGIES, INC.**, Monrovia, CA (US)

D774,658 S * 12/2016 Andersen D26/110
D777,371 S * 1/2017 Yang D26/142
D778,481 S * 2/2017 Galloppa D26/68
D797,337 S * 9/2017 Dai D26/63
D912,302 S * 3/2021 Ng D26/93

FOREIGN PATENT DOCUMENTS

EM 006681698-0004 * 1/2020

OTHER PUBLICATIONS

Amazon, "Koncept MC1-WHT-FLR Tono", first available Jan. 18, 2013. (<https://www.amazon.com/-/es/Koncept-MC1-WHT-FLR-Tono-acabado-blanco/dp/B00B2TCQWI>) (Year: 2013).*

(Continued)

Primary Examiner — Leanne Was-Englehart
Assistant Examiner — Justin A Johnson
(74) *Attorney, Agent, or Firm* — Myers Andras Ashman Bisol LLP; Joseph C. Andras

(**) Term: **15 Years**
(21) Appl. No.: **29/732,916**
(22) Filed: **Apr. 28, 2020**
(51) **LOC (14) Cl.** **26-05**
(52) **U.S. Cl.**
USPC **D26/104**
(58) **Field of Classification Search**
USPC ... D26/1, 24, 60, 61, 62, 63, 64, 65, 66, 93, D26/104, 105, 106, 107, 108, 110, 145
CPC F21L 2/00; F21L 4/00; F21L 4/02; F21L 4/025; F21L 4/027; F21L 14/00; F21S 2/00; F21S 8/03; F21S 8/033; F21S 8/035; F21S 6/002; F21S 6/004; F21S 8/036; F21S 8/037; F21S 9/00; F21S 9/02; F21V 21/10; F21V 21/108; F21W 2121/008
See application file for complete search history.

(57) **CLAIM**

The ornamental design for a lamp, as shown and described.

DESCRIPTION

FIG. 1 is a left perspective view of a lamp showing our new design;

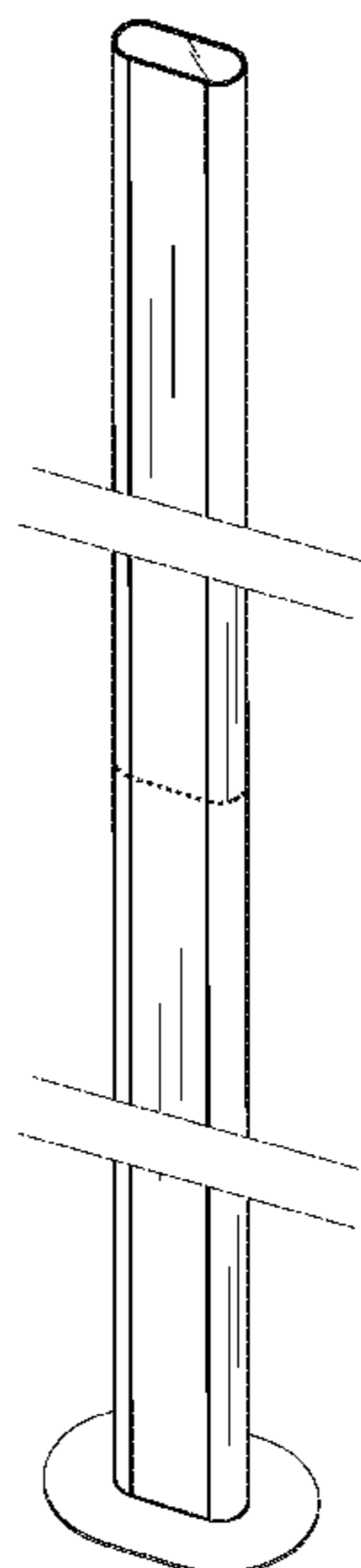
FIG. 2 is a front elevation view of the lamp;
FIG. 3 is a rear elevation view of the lamp;
FIG. 4 is a right-side elevation view of the lamp;
FIG. 5 is a left-side elevation view of the lamp;
FIG. 6 is a top plan view of the lamp; and,
FIG. 7 is a bottom plan view of the lamp.

The portions of the lamp shown in broken lines form no part of the claimed design. The lamp is shown with symbolic breaks in its length, as appropriate. The appearance of any portion of the article between the break lines form no part of the claimed design.

(56) **References Cited**
U.S. PATENT DOCUMENTS

D246,546 S * 11/1977 Kushner D26/104
D377,229 S * 1/1997 Shalvi D26/68
D484,634 S * 12/2003 Olson D26/104
D485,004 S * 1/2004 Olson D26/104
D648,059 S * 11/2011 Fisher D26/118
D693,048 S * 11/2013 Ng D26/89
D695,937 S * 12/2013 Duquette D26/68
D765,900 S * 9/2016 Oh D26/63

1 Claim, 7 Drawing Sheets



(56)

References Cited

OTHER PUBLICATIONS

Amazon, "Jonathan Y JYL7007A Iris 59.5", first available Nov. 21, 2017. (https://www.amazon.com/JONATHAN-JYL7007A-Integrated-Floor-Chrome/dp/B077NCVFTV/ref=psdc_495224_t5_B07VD4PRP4?th=1) (Year: 2017).*

Amazon, "DEWENWILS LED Corner Floor Lamp", first available Jul. 16, 2019. (<https://www.amazon.com/DEWENWILS-Changing-Dimmable-Standing-Ambient/dp/B07VD4PRP4?th=1>) (Year: 2019).*

Amazon, "EDISHINE Modern Wood Corner Floor Lamp", first available Jan. 13, 2021. (https://www.amazon.com/EDISHINE-Dimmable-Atmosphere-Minimalist-Standing/dp/B098WJ8TF2/ref=psdc_495224_t1_B07VD4PRP4) (Year: 2021).*

* cited by examiner

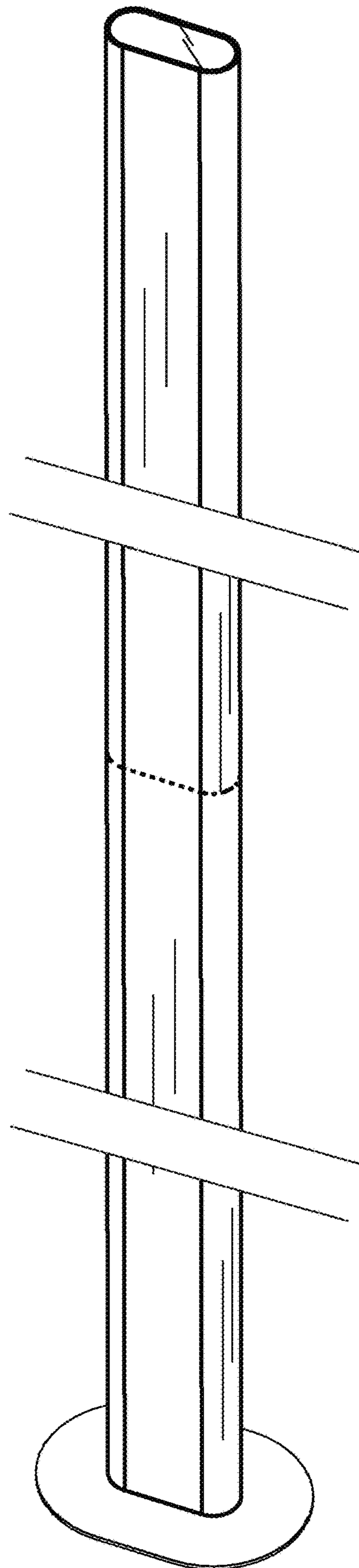


FIG. 1

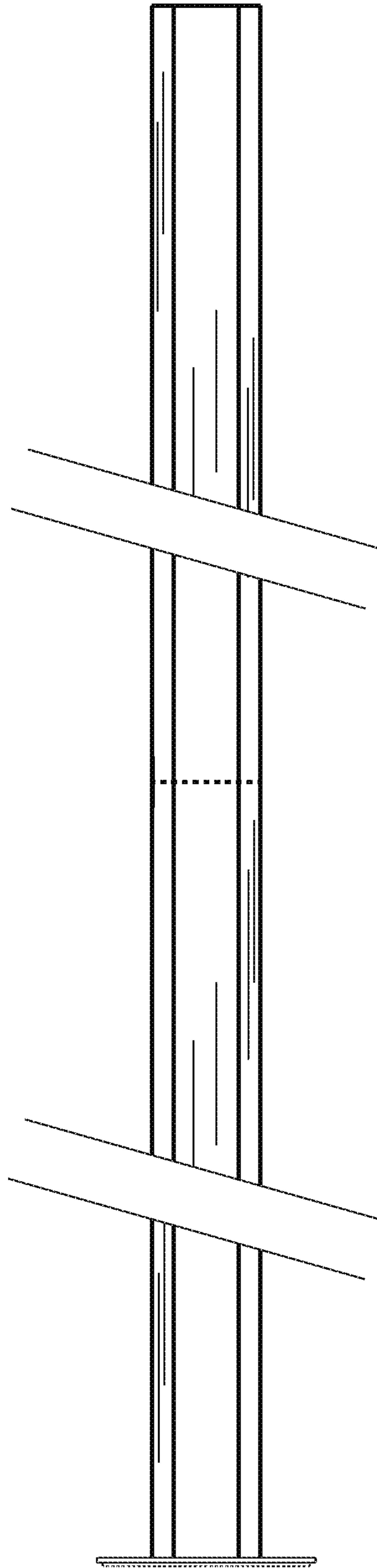


FIG. 2

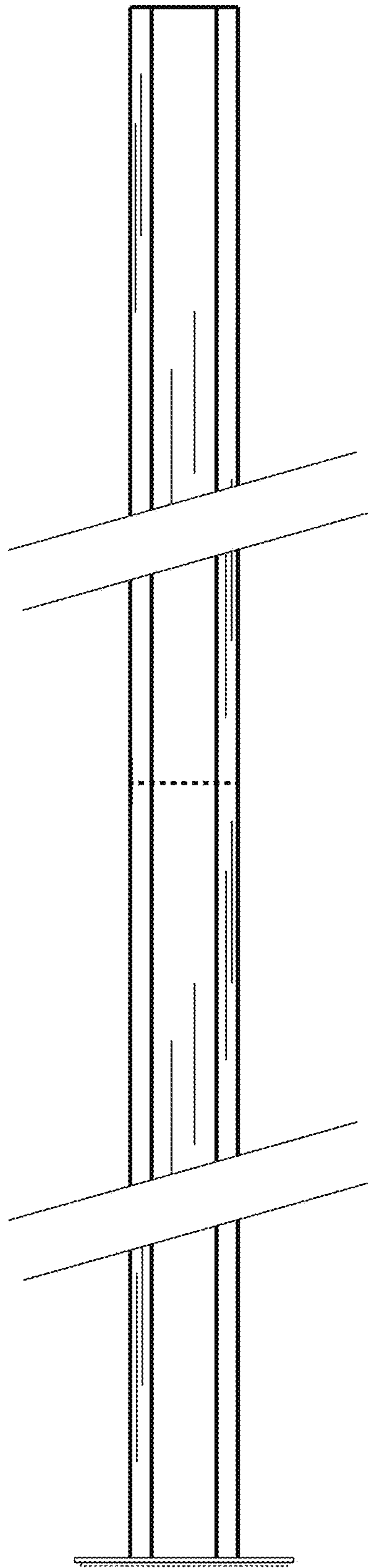


FIG. 3

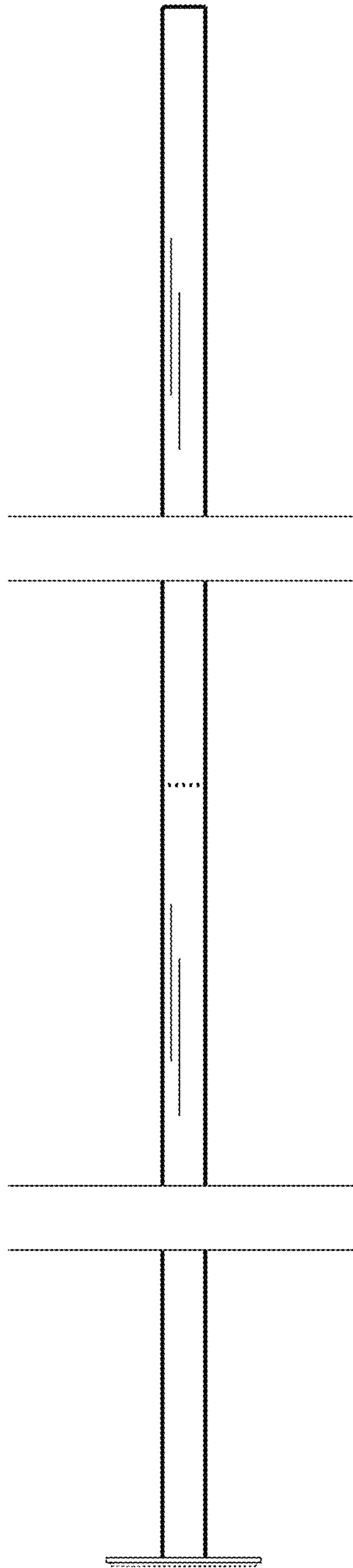


FIG. 4

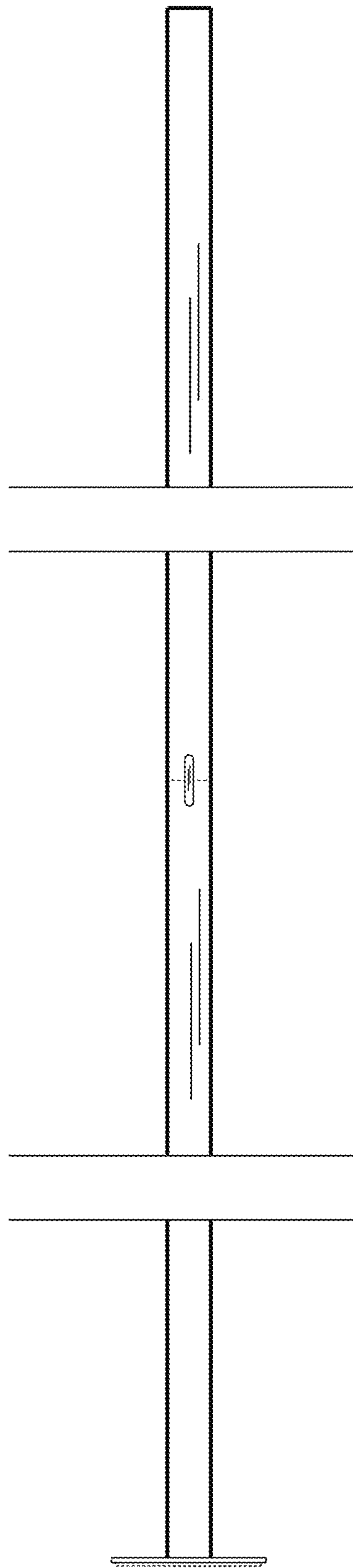


FIG. 5

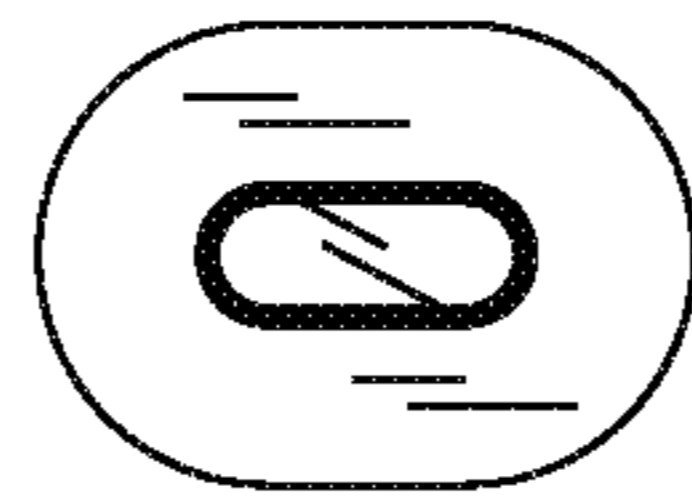


FIG. 6

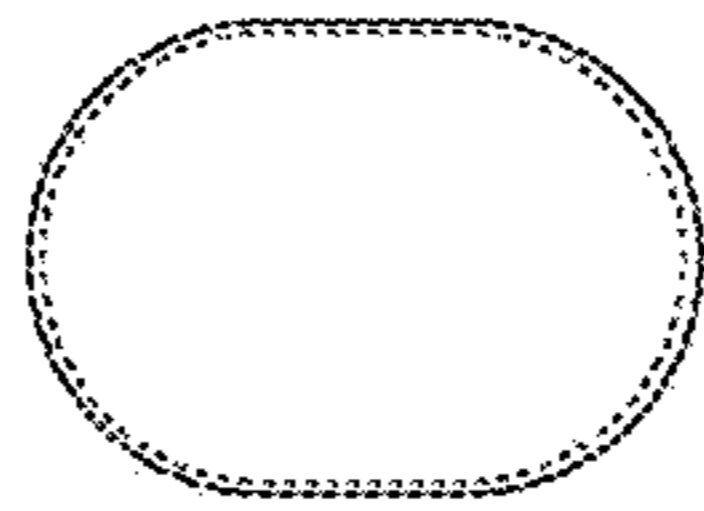


FIG. 7