



US00D988577S

(12) **United States Design Patent**
Workman et al.

(10) **Patent No.:** **US D988,577 S**
(45) **Date of Patent:** **** Jun. 6, 2023**

(54) **GLOBE LIGHT**

(71) Applicant: **N.BX, LLC**, Morgan, UT (US)

(72) Inventors: **Robert Emmett Workman**, Morgan, UT (US); **Henry Joseph Howell**, Herriman, UT (US); **David Jared Burton**, Payson, UT (US); **Erik Robert Workman**, Salt Lake City, UT (US)

(73) Assignee: **Barebones Systems, LLC**, Salt Lake City, UT (US)

(**) Term: **15 Years**

(21) Appl. No.: **29/708,293**

(22) Filed: **Oct. 4, 2019**

(51) **LOC (14) Cl.** **26-05**

(52) **U.S. Cl.**
USPC **D26/104; D26/41**

(58) **Field of Classification Search**
USPC D26/37, 39, 40, 41, 50, 60, 61, 63, 93,
D26/104, 106, 108, 110, 113, 118
(Continued)

(56) **References Cited**

U.S. PATENT DOCUMENTS

D665,066 S * 8/2012 Browder D26/9
D756,541 S 5/2016 Lagier
(Continued)

OTHER PUBLICATIONS

Tama floor lamp by Isao Hosoe for Valenti, 1970s, Vintage.com, site visited Dec. 30, 2022, url: <https://www.vntg.com/42780/tama-floor-lamp-by-isao-hosoe-for-valenti-1970s/> (Year: 1979).*

(Continued)

Primary Examiner — T Chase Nelson

Assistant Examiner — Rachel Wolfe

(74) *Attorney, Agent, or Firm* — Morriss O’Bryant
Compagni Cannon, PLLC

(57) **CLAIM**

The ornamental design for the globe light, as shown and described.

DESCRIPTION

FIG. 1 is a perspective front side view of a globe light of the present invention with retracted legs.

FIG. 2 is a front side view of the globe light with retracted legs.

FIG. 3 is a back side view of the globe light with retracted legs.

FIG. 4 is a right side view of the globe light with retracted legs.

FIG. 5 is a left side view of the globe light with retracted legs.

FIG. 6 is a top side view of the globe light with retracted legs.

FIG. 7 is a bottom side view of the globe light with retracted legs.

FIG. 8 is a perspective front side view of the globe light with extended legs.

FIG. 9 is a front side view of the globe light with extended legs.

FIG. 10 is a back side view of the globe light with extended legs.

FIG. 11 is a right side view of the globe light with extended legs.

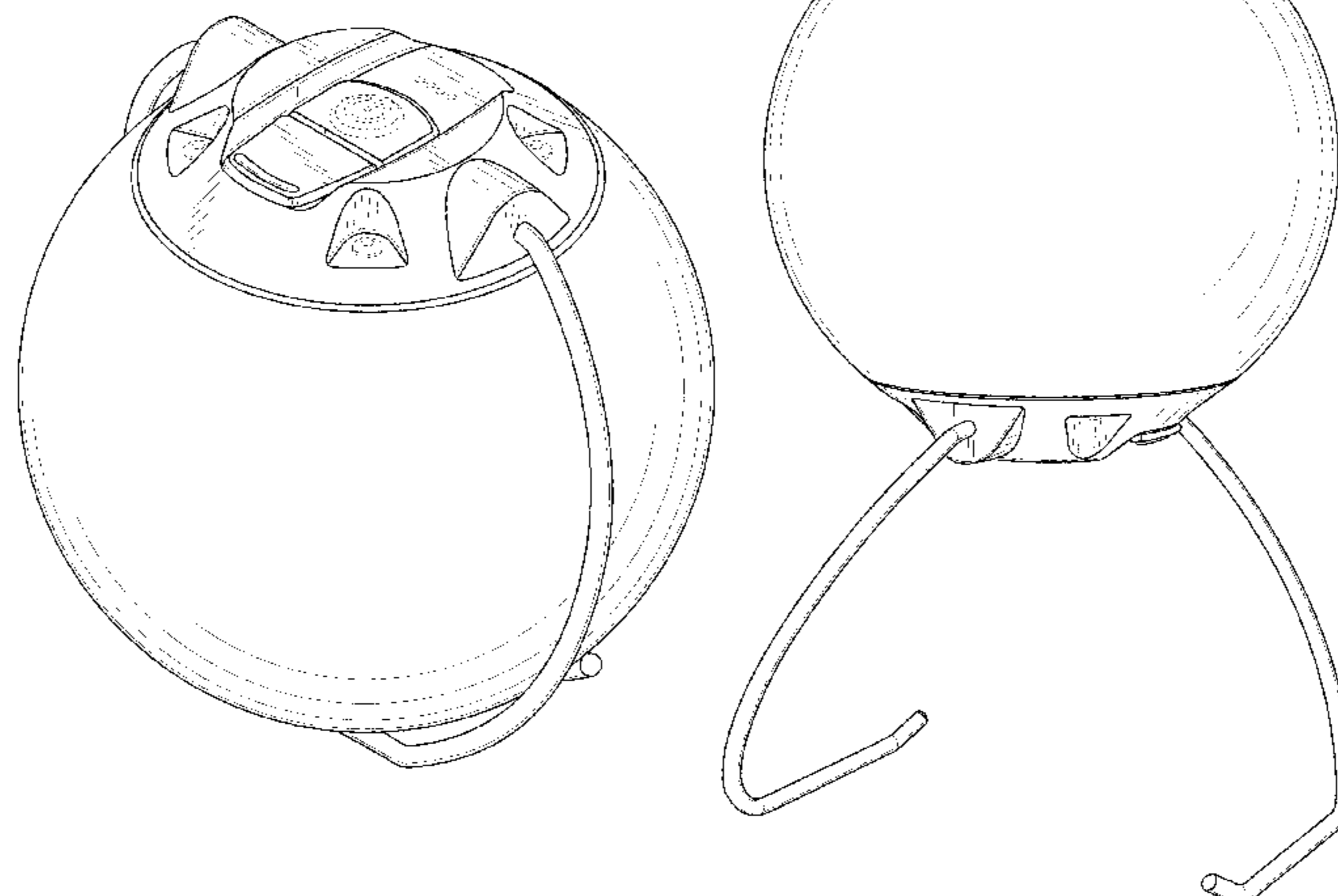
FIG. 12 is a left side view of the globe light with extended legs.

FIG. 13 is a top side view of the globe light with extended legs; and,

FIG. 14 is a bottom side view of the globe light with extended legs.

The broken lines in the drawings show portions of the globe light that form no part of the claimed design.

1 Claim, 14 Drawing Sheets



(58) **Field of Classification Search**

CPC F21S 6/00; F21S 6/005; F21S 9/00; F21S 9/02; F21V 15/00; F21V 21/00; F21V 21/14; F21V 21/145

See application file for complete search history.

(56) **References Cited**

U.S. PATENT DOCUMENTS

D774,228	S *	12/2016	Workman	D26/41
D810,979	S *	2/2018	Krantz	D26/41
D844,201	S *	3/2019	Khubani	D26/40
D860,492	S *	9/2019	Wang	D26/41
D863,634	S *	10/2019	Xu	D26/41
D866,828	S	11/2019	Pedersen		
D894,454	S *	8/2020	Yang	D26/41
D914,957	S	3/2021	Zeng		
D915,663	S	4/2021	Feng et al.		
D917,086	S *	4/2021	Tang	D26/41
D917,774	S	4/2021	Wang		
D919,038	S *	5/2021	Tang	D22/123
D923,221	S *	6/2021	Yan	D26/40
D925,810	S	7/2021	Yi et al.		
D927,043	S	8/2021	Tian et al.		
D935,661	S *	11/2021	Hu	D26/41
D935,683	S	11/2021	Garrett et al.		
D940,849	S *	1/2022	Chen	D23/382
D948,093	S *	4/2022	Rajasekaran	D26/41
D951,521	S *	5/2022	Workman	D26/110
D959,717	S *	8/2022	Hsu	D26/40
D965,193	S *	9/2022	Dong	F21V 23/003 D26/41
D971,470	S *	11/2022	Zeng	D26/41
2014/0321106	A1 *	10/2014	Workman	F21V 23/003 362/249.02

OTHER PUBLICATIONS

Firefly Solar Lantern, Sep. 9, 2017, SeaDogBoatingSolutions.com, site visited Dec. 30, 2022, url: <https://seadogboatingsolutions.com/new-product-firefly-solar-lantern.html> (Year: 2017).*

Alomejor Powered Lamp Light, Sep. 19, 2018, Amazon.ca, site visited Dec. 30, 2022, url: <https://www.amazon.ca/dp/B07GFLPJW9> (Year: 2018).*

ZWJ LED Light Camping Light, Jun. 22, 2019, Amazon.com, site visited Dec. 30, 2022, url: <https://www.amazon.com/dp/B07TG2TZ8T> (Year: 2019).*

Black Diamond Moji Lantern. First Available Nov. 17, 2009. Visited Dec. 3, 2021. [<https://www.amazon.com/Black-Diamond-BD620711-BLYLALL-1-Moji-Lantern/dp/B00PRQ0094?th=1>] (Year: 2009).

Nobox Rechargeable Globe LED Lantern Light. First Available Dec. 2, 2019. Visited Dec. 3, 2021. [https://www.amazon.com/NoBox-Rechargeable-Globe-Lantern/dp/B082891-L4K?ref_=ast_sto_dp] (Year: 2019).

Monster Smart, Orb Portable LED Light. First Available Unknown. Visited Dec. 3, 2021. [<https://monsterilluminescence.com/product/orb/>] (Year: 2021).

Ma Kaiqi, LED Lantern. First Available Sep. 21, 2020. Searched Dec. 3, 2021. Questel Serial number of registration 306393665 (Year: 2020).

Shapelights® Indoor & Outdoor Mood Light. First Available Mar. 15, 2019. Visited Dec. 3, 2021. [https://www.amazon.co.uk/Shapelights%C2%AE-Outdoor-Chargeable-Powered-Changing/dp/B07P4F452F/ref=psdc_248562031_t2_B08NDY11DK?th=1] (Year: 2019).

Glow Products, LED Round Ball Lamp. Mar. 2, 2019. Visited Dec. 3, 2021. [<https://www.amazon.ca/Light-Centerpiece-Round-Lamps-White/dp/B07PCH-DB2J>] (Year: 2019).

* cited by examiner

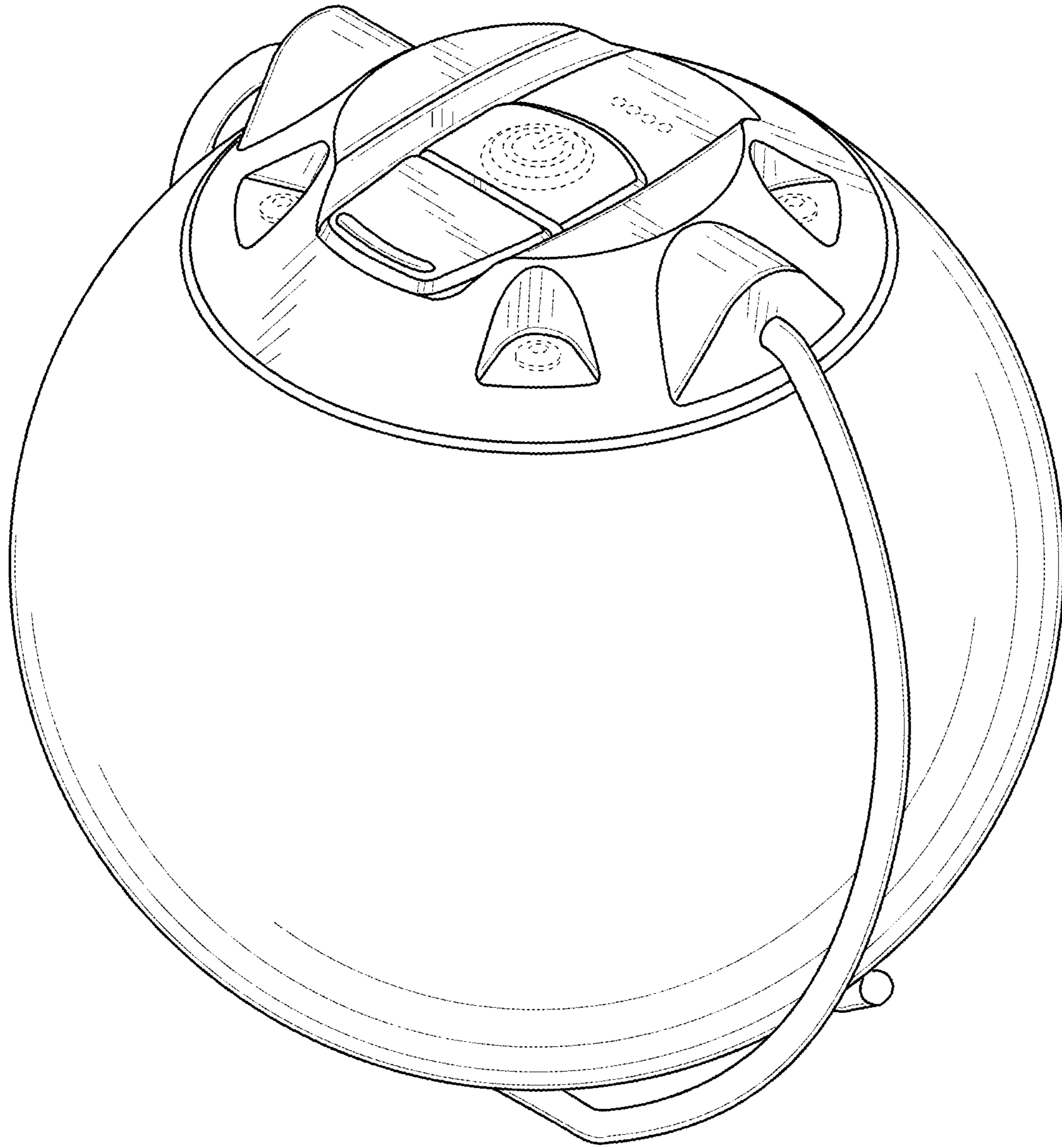


FIG. 1

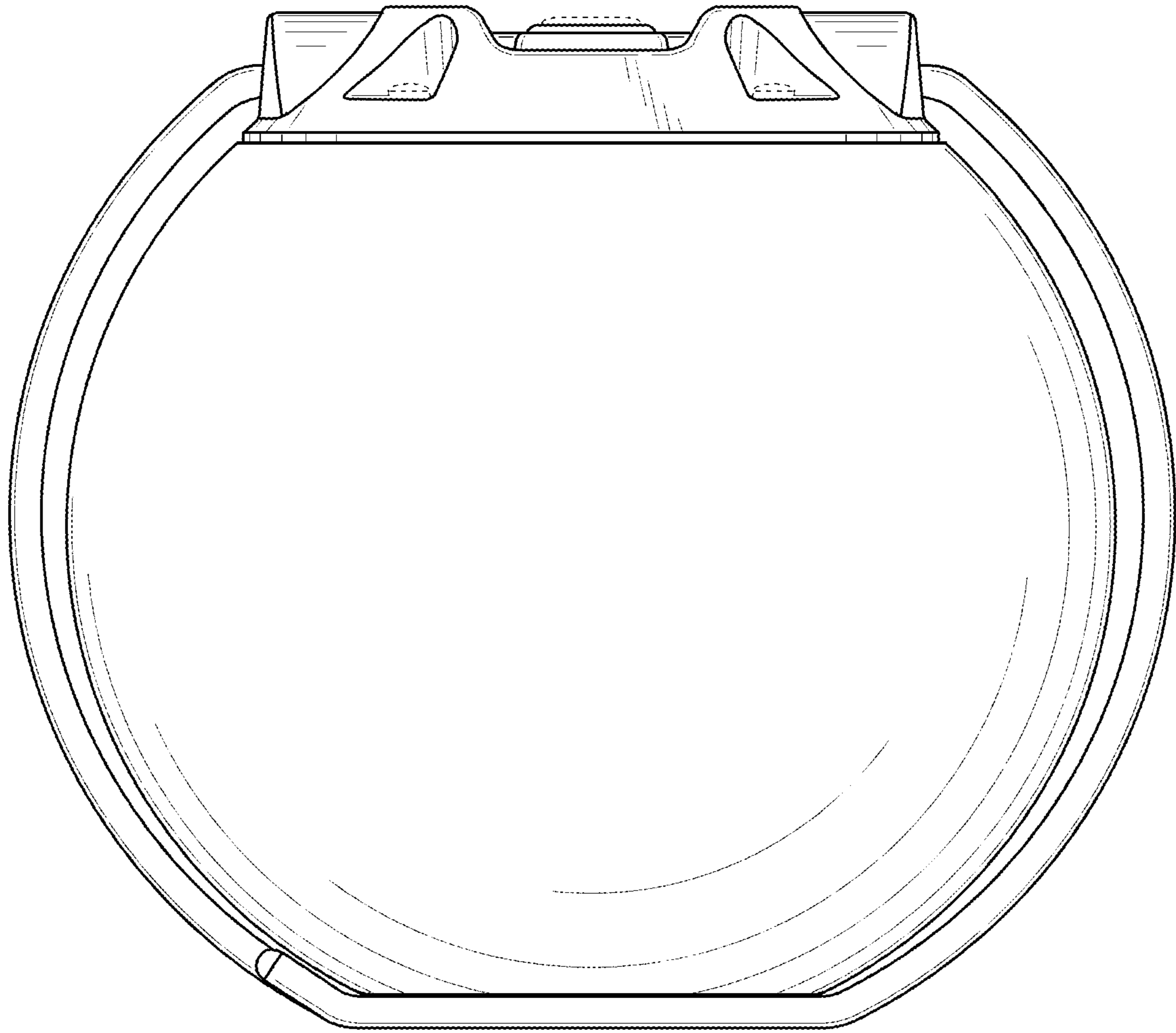


FIG. 2

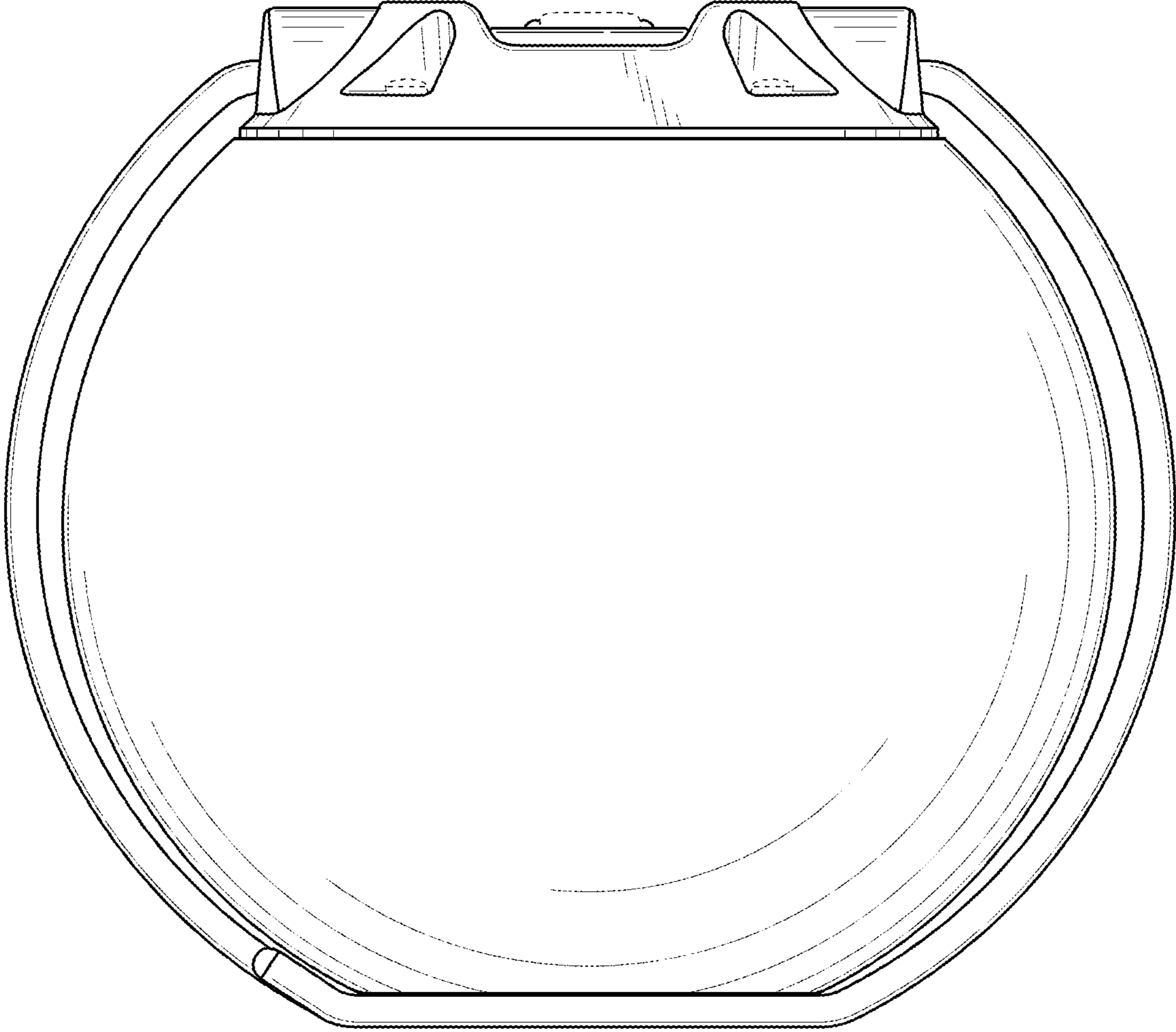


FIG. 3

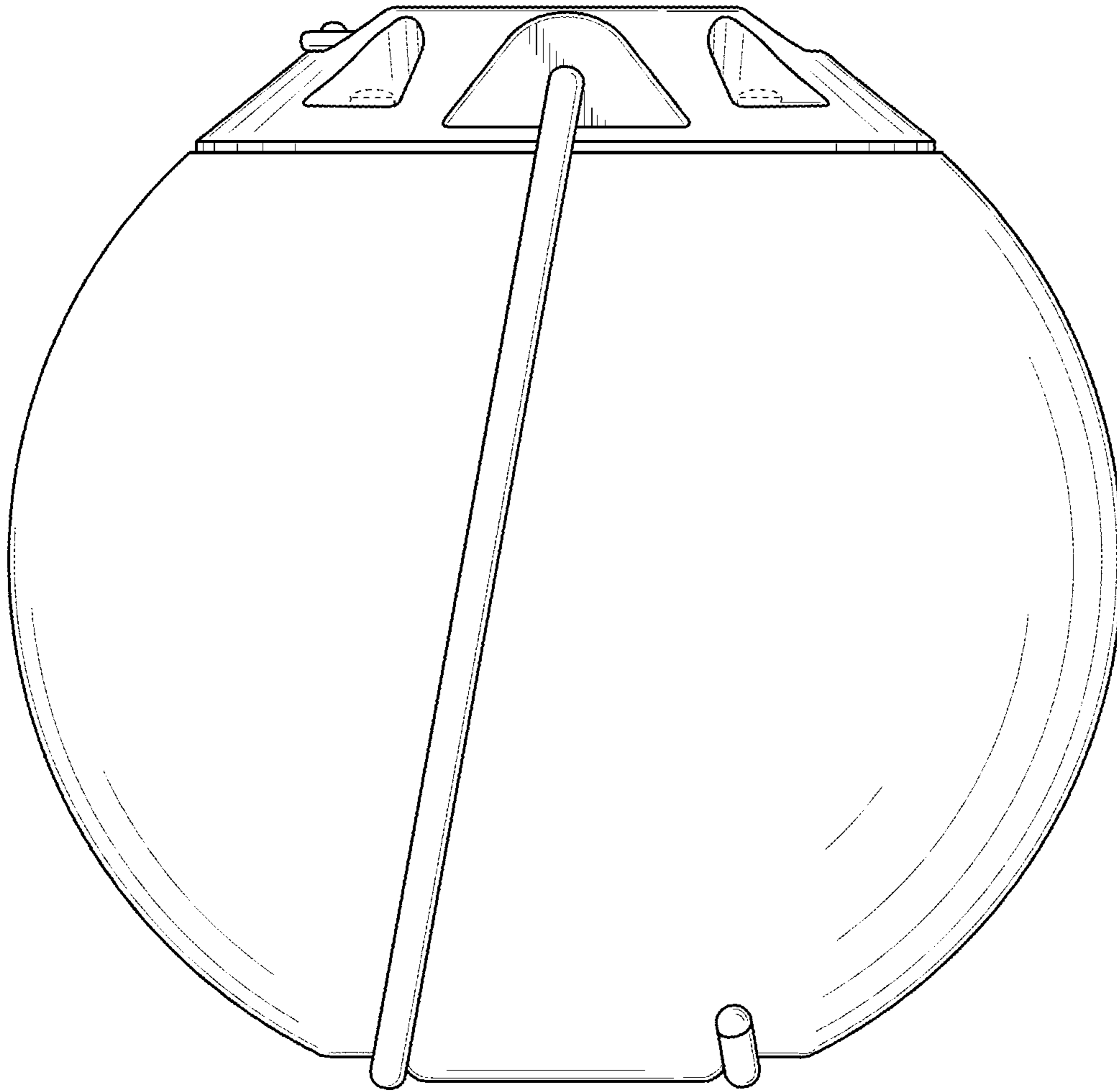


FIG. 4

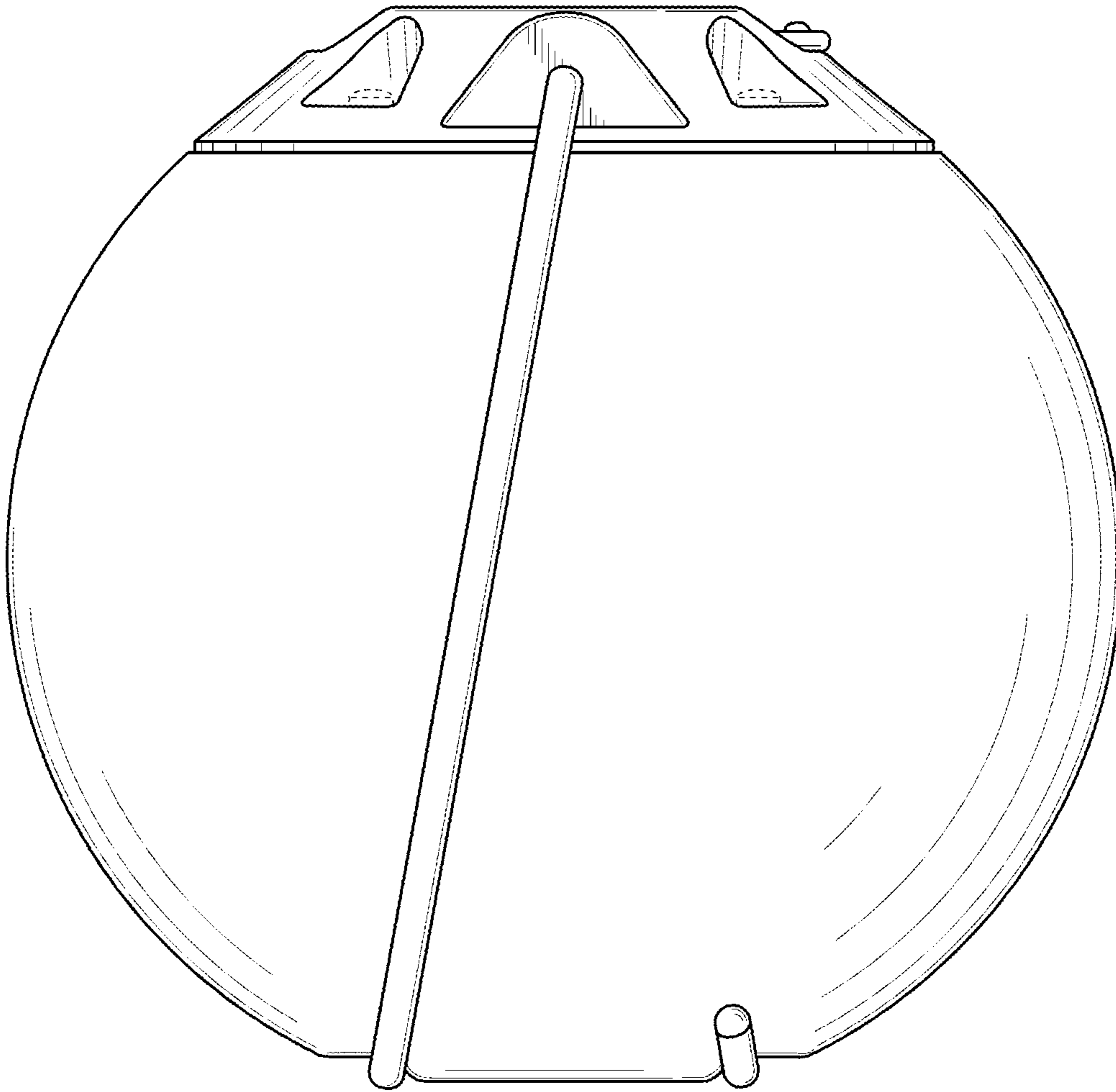


FIG. 5

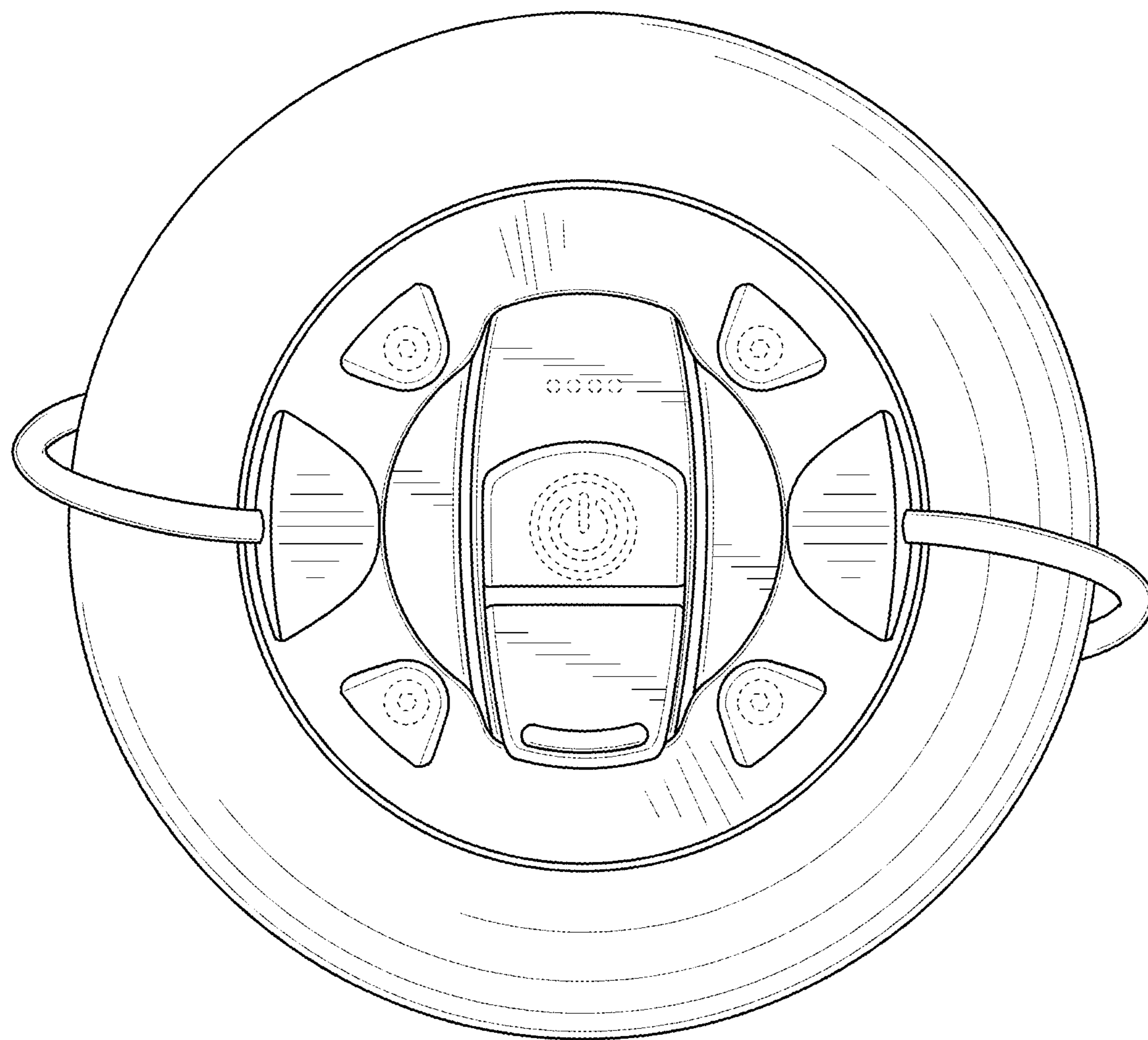


FIG. 6

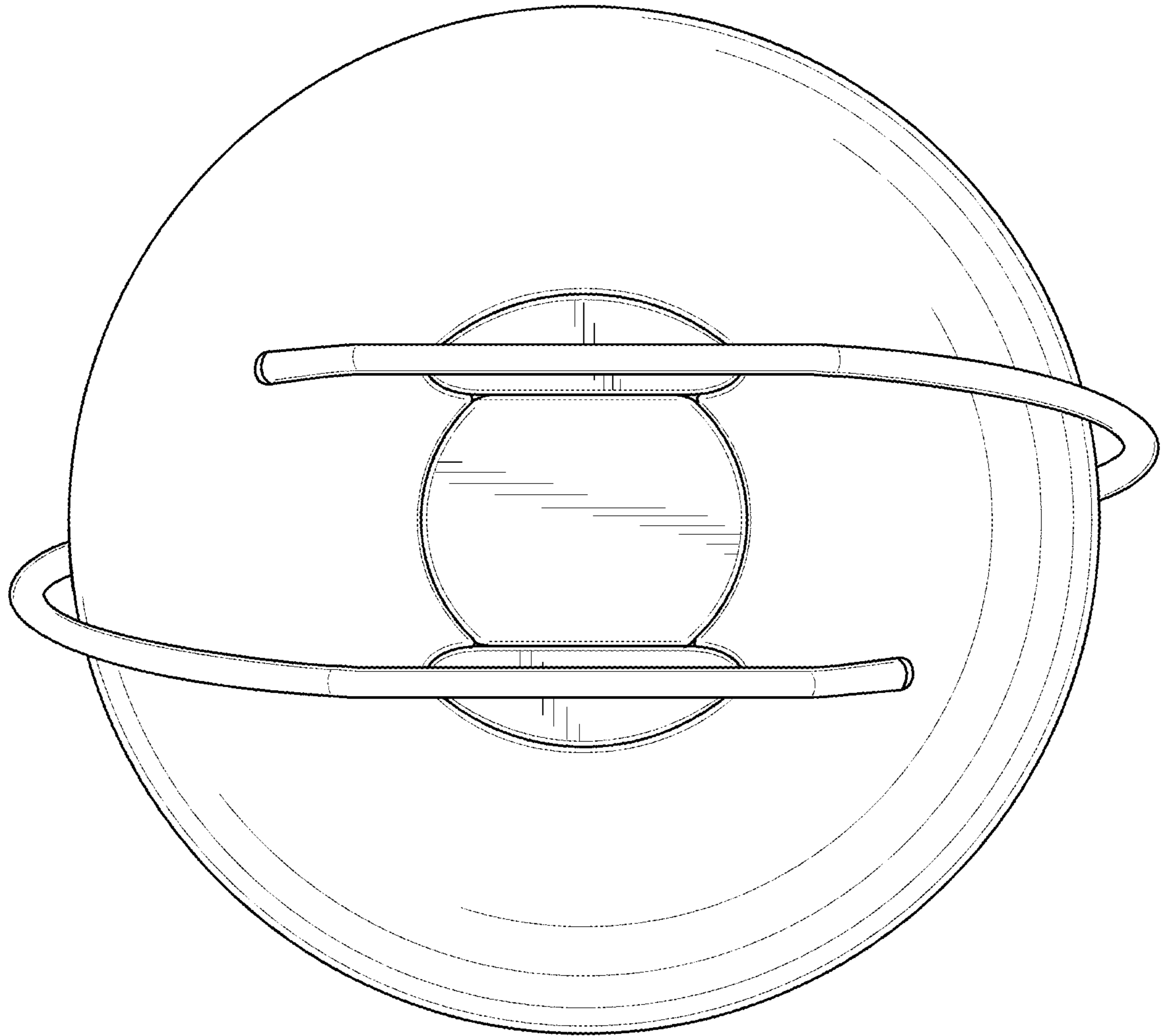


FIG. 7

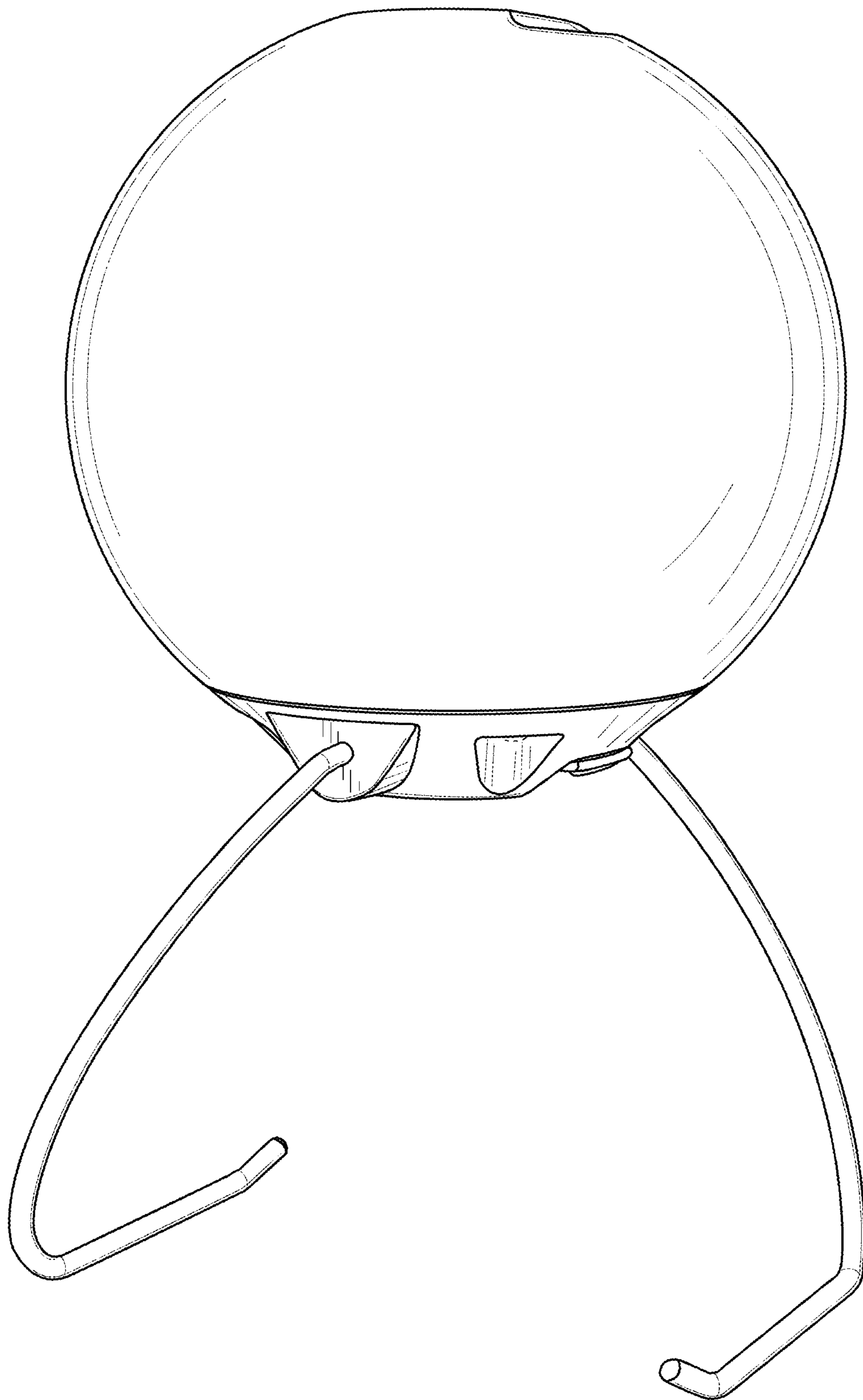


FIG. 8

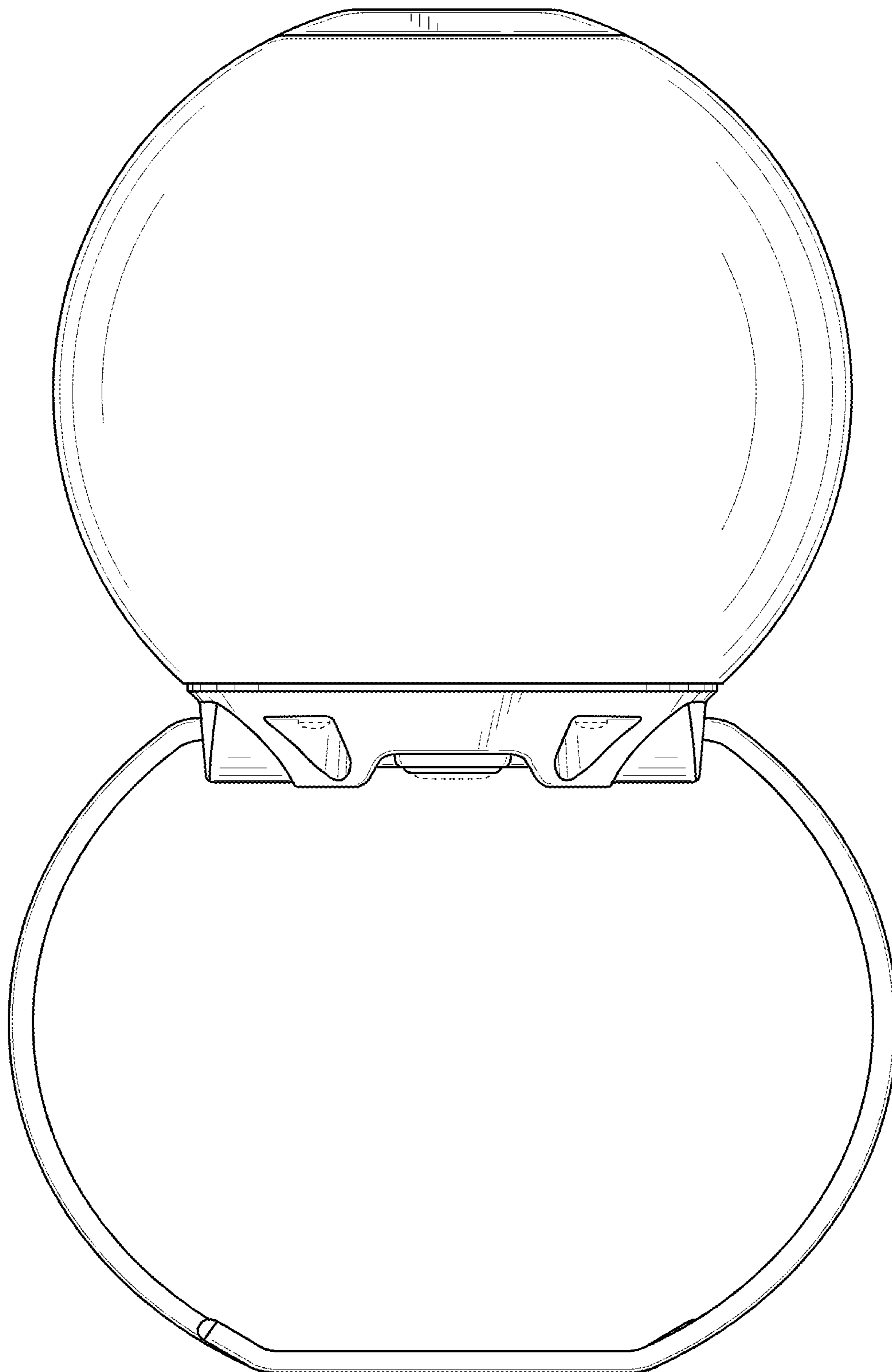


FIG. 9

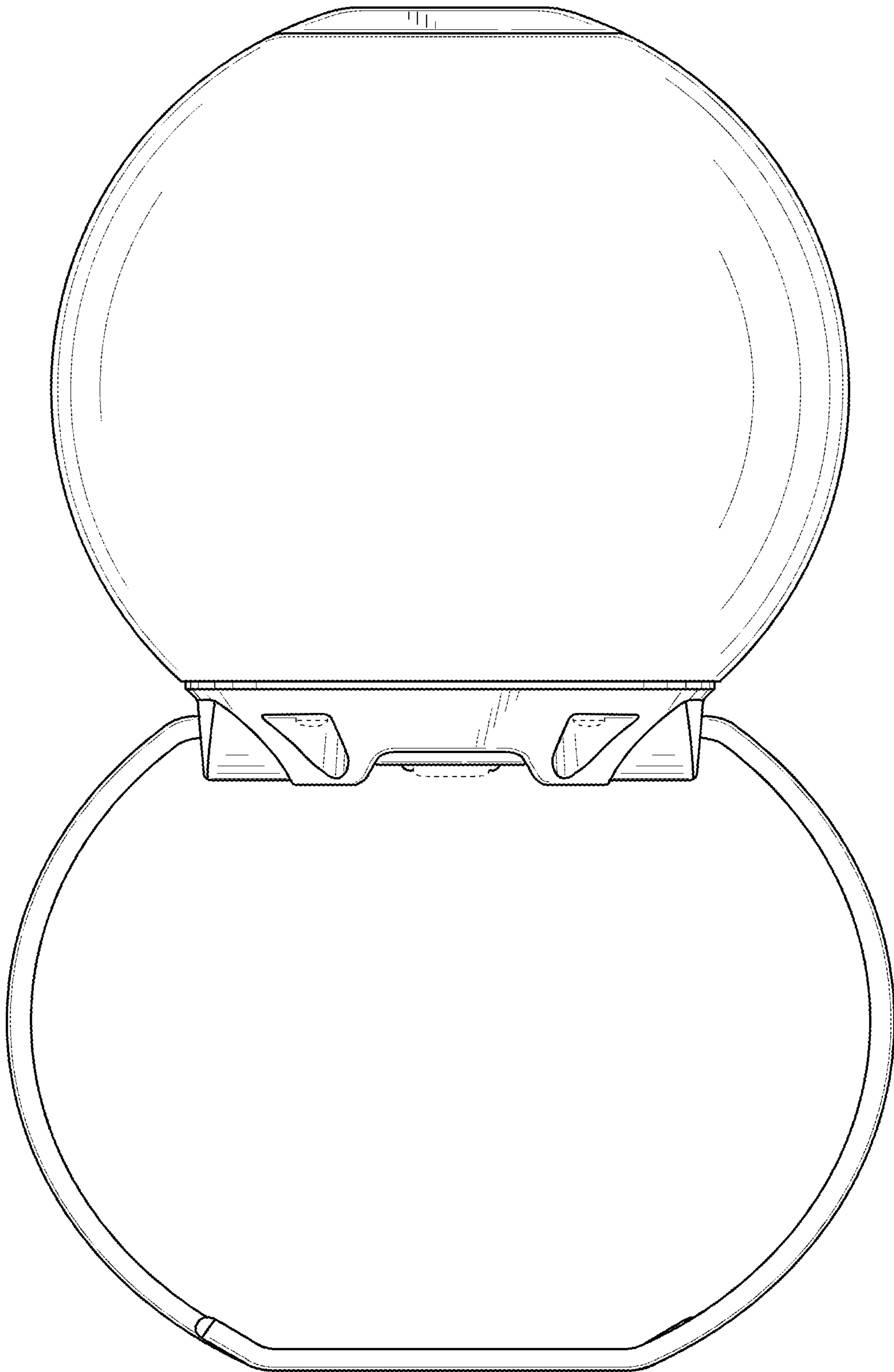


FIG. 10

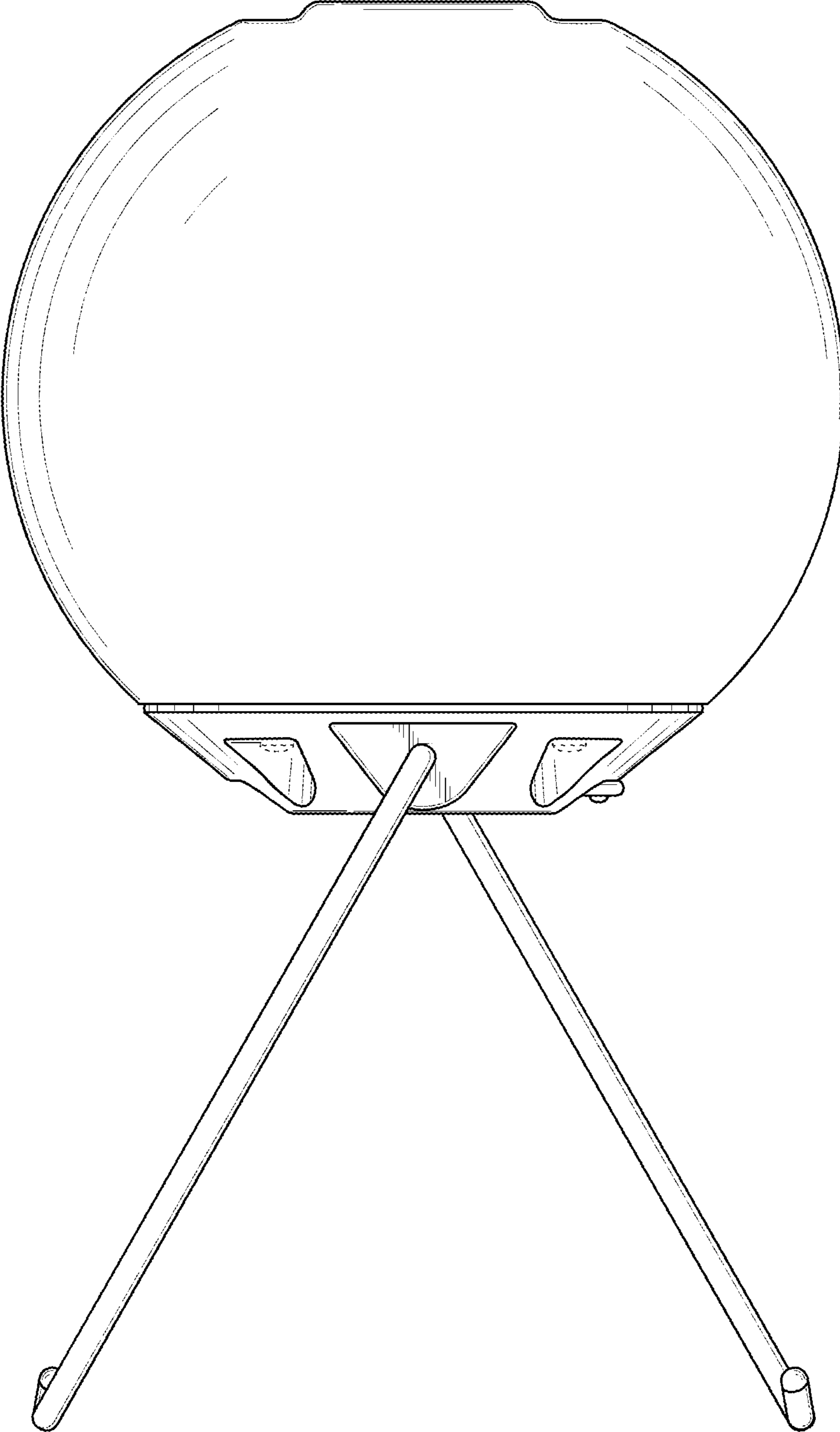


FIG. 11

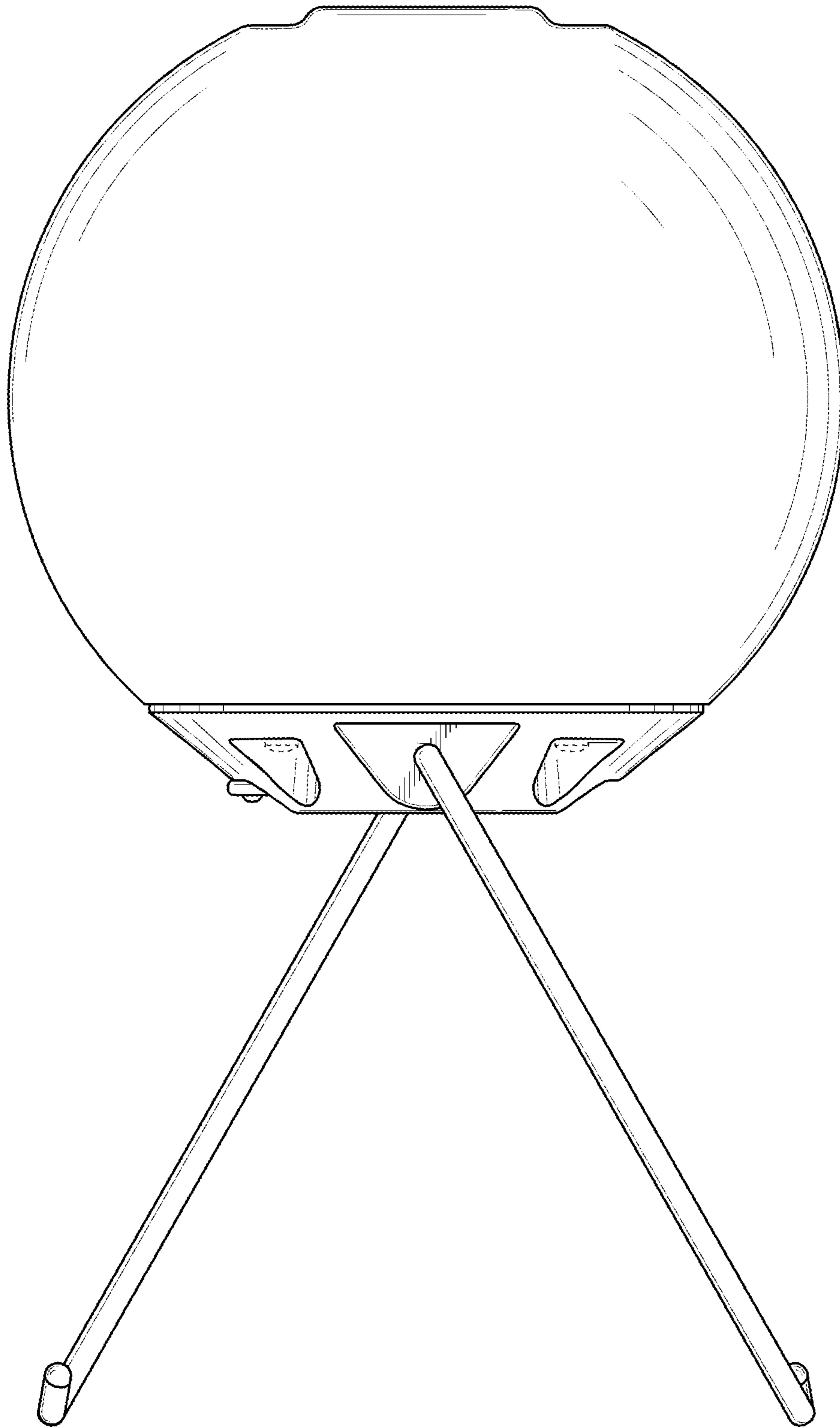


FIG. 12

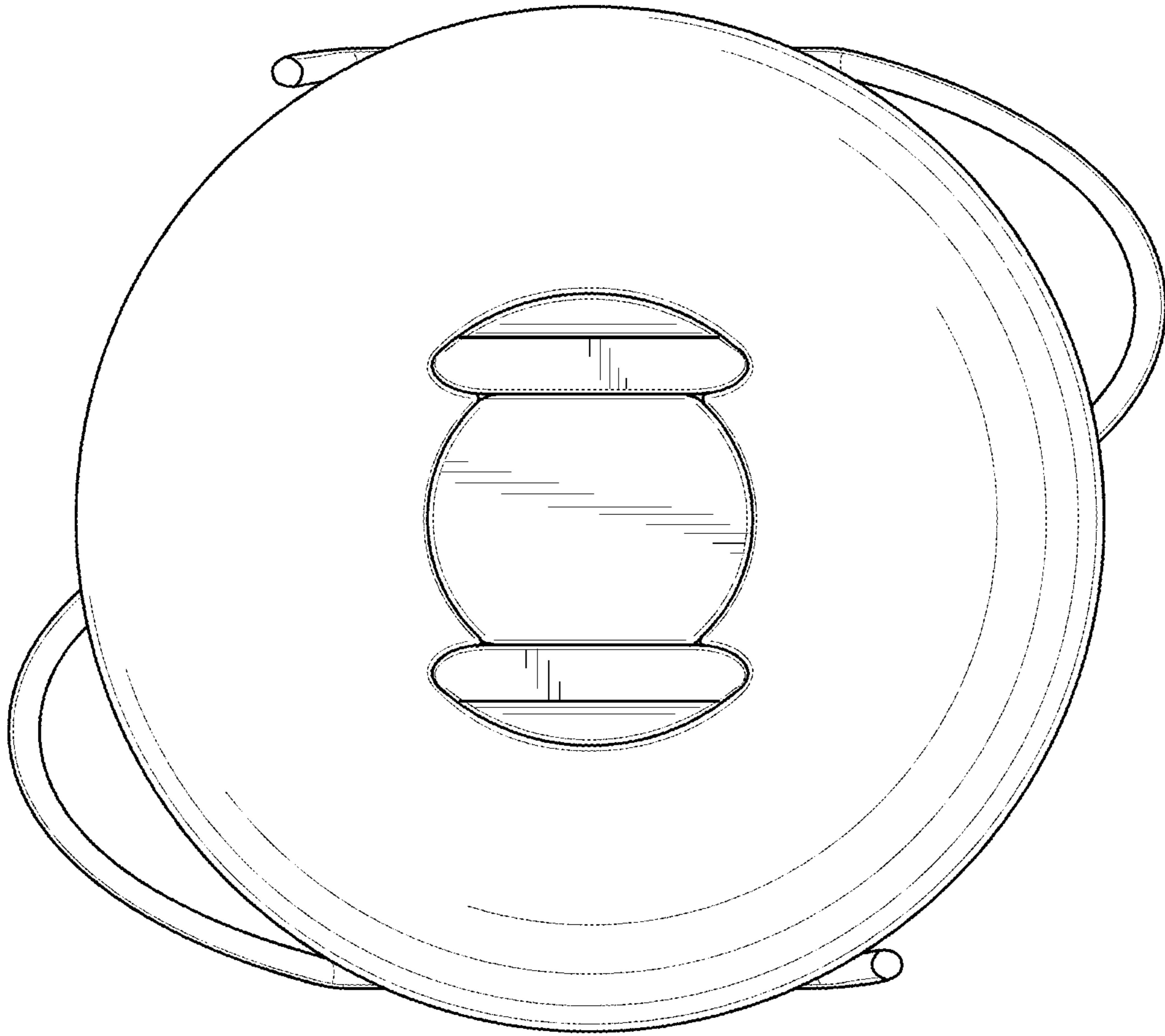


FIG. 13

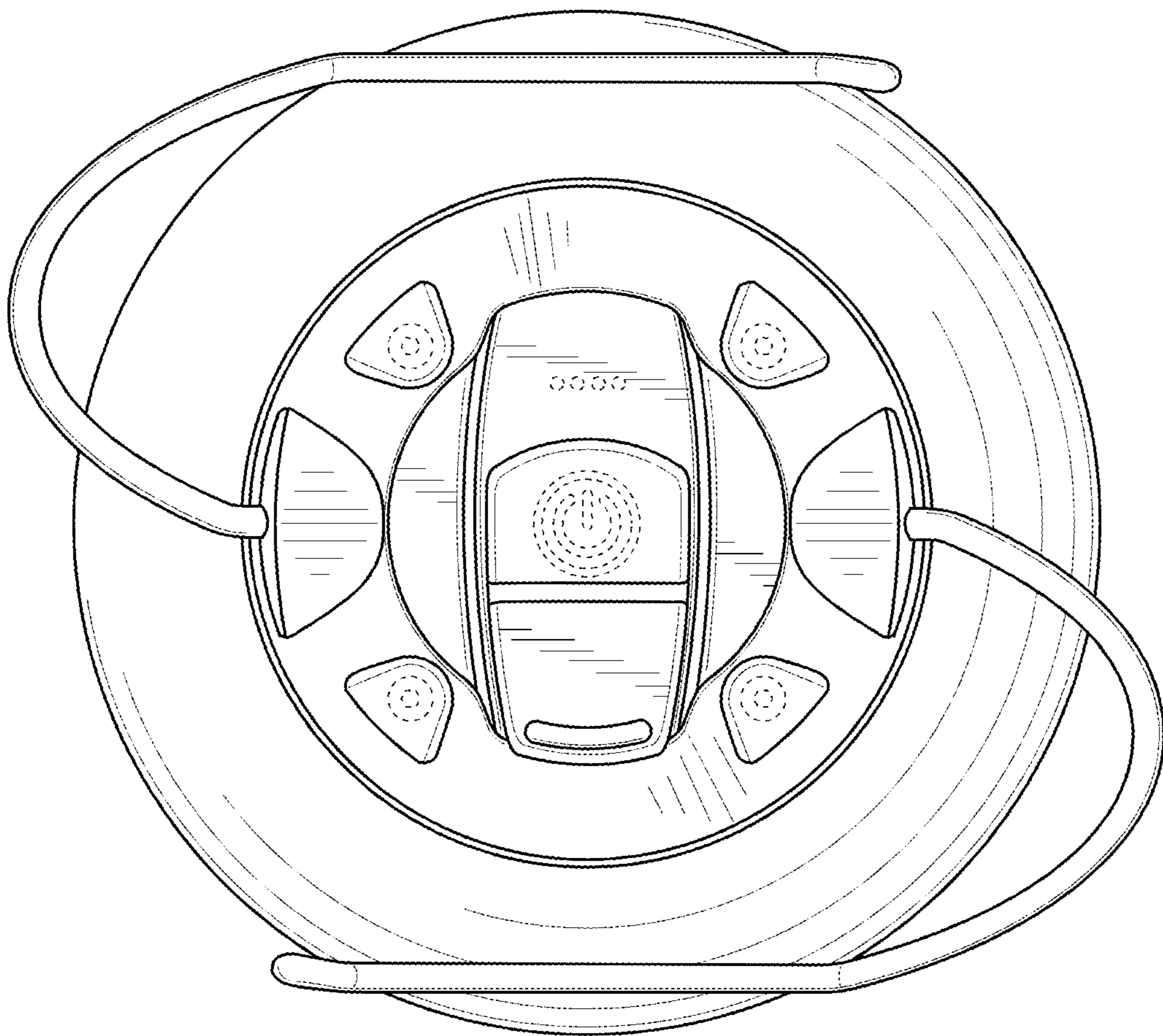


FIG. 14