



US00D988576S

(12) **United States Design Patent**  
**Li**

(10) **Patent No.:** **US D988,576 S**

(45) **Date of Patent:** **\*\* Jun. 6, 2023**

(54) **SHOE LIGHT**

(71) Applicant: **Peng Li**, Fujian (CN)

(72) Inventor: **Peng Li**, Fujian (CN)

(\*\*) Term: **15 Years**

(21) Appl. No.: **29/863,125**

(22) Filed: **Dec. 15, 2022**

(51) **LOC (14) Cl.** ..... **26-02**

(52) **U.S. Cl.**

USPC ..... **D26/39; D26/60; D2/976**

(58) **Field of Classification Search**

USPC ..... D26/24, 37, 39, 48, 50, 60, 61, 63, 93,  
D26/104; D2/946, 976

CPC .... A43B 3/36; F21L 4/00; F21L 15/14; F21S  
9/00; F21V 21/00; F21V 21/08; F21V  
21/088; F21V 21/0885; F21V 33/0004;  
F21V 33/0008; F21W 2121/06

See application file for complete search history.

(56) **References Cited**

**U.S. PATENT DOCUMENTS**

- 1,695,987 A \* 12/1928 Steindorff ..... F21V 17/06  
439/828
- 2,671,847 A \* 3/1954 Lerch ..... A43B 3/36  
36/137
- D447,587 S \* 9/2001 Poon ..... D26/39
- D577,846 S \* 9/2008 LaBuzetta ..... F21V 21/0885  
D26/60
- D578,299 S \* 10/2008 Dennis ..... A43B 3/126  
D26/1
- D602,185 S \* 10/2009 Chang ..... D26/36
- D766,480 S \* 9/2016 Bo ..... A43B 3/36  
D26/60
- D825,804 S \* 8/2018 Okuda ..... D26/60
- D896,418 S 9/2020 Lin
- D923,844 S \* 6/2021 Ke ..... A43B 3/36  
D26/60
- D971,582 S \* 12/2022 Stanley ..... F21V 17/06  
D2/976

2006/0007668 A1\* 1/2006 Chien ..... A43B 3/36  
362/103

2011/0146109 A1\* 6/2011 Martinez ..... A43B 3/126  
36/137

2014/0009921 A1\* 1/2014 Ancona ..... F21V 21/0885  
362/191

**OTHER PUBLICATIONS**

Newhouse Lighting LED Clip On Lamp, Jun. 20, 2018, Amazon.com, site visited Mar. 21, 2023, url: <https://www.amazon.com/dp/B07DWNQRD5/> (Year: 2018).\*

Night Runner 270 Shoe Lights, Jan. 26, 2018, Amazon.com, site visited Mar. 21, 2023, url: <https://www.amazon.com/dp/B076PVWQNX/> (Year: 2018).\*

Yontune 2 Pcs Headlight for Shoes, Oct. 21, 2022, Amazon.com, site visited Mar. 21, 2023, url: <https://www.amazon.com/dp/B0BJZFSLH8/> (Year: 2022).\*

\* cited by examiner

*Primary Examiner* — T Chase Nelson

*Assistant Examiner* — Rachel Wolfe

(57) **CLAIM**

The ornamental design for a shoe light, as shown and described.

**DESCRIPTION**

FIG. 1 is a front and top perspective view of a shoe light, showing my new design;

FIG. 2 is a front and bottom perspective view thereof;

FIG. 3 is a front elevation view thereof;

FIG. 4 is a rear elevation view thereof;

FIG. 5 is a left side elevation view thereof;

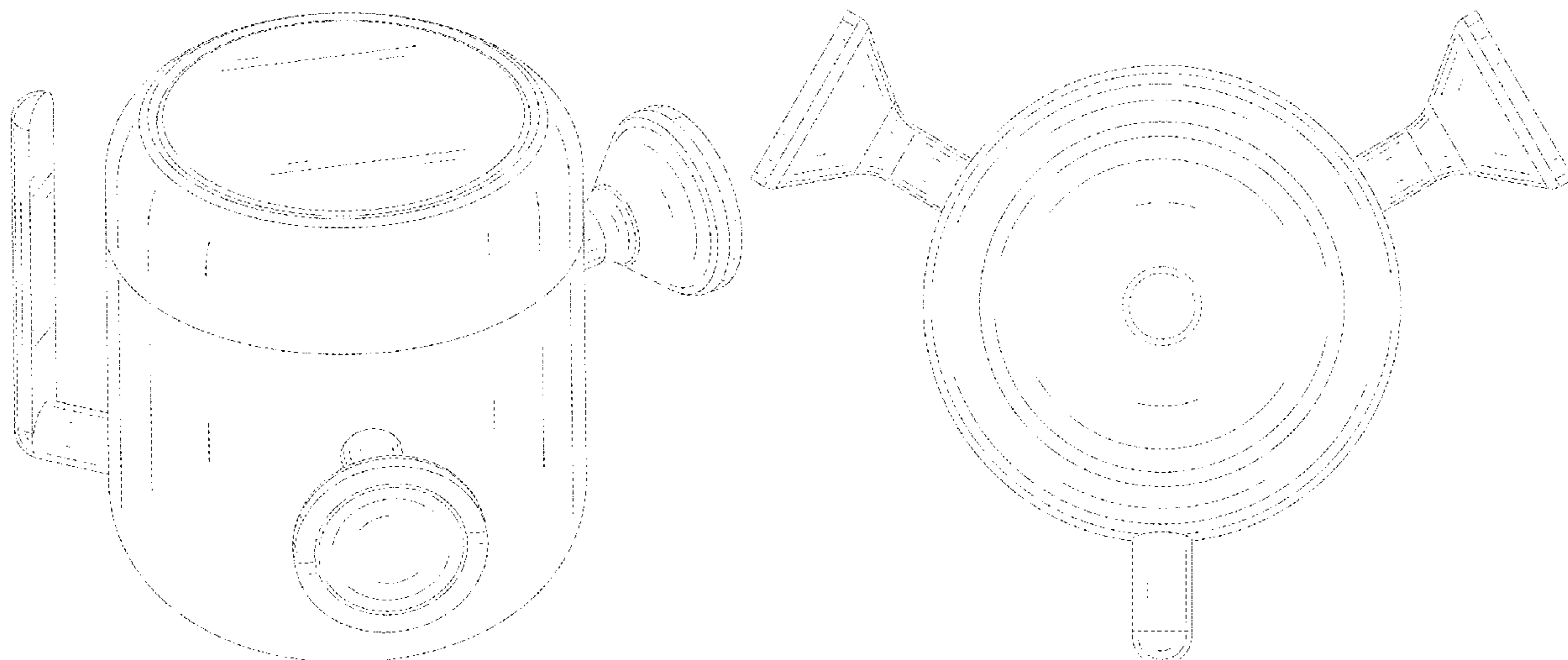
FIG. 6 is a right side elevation view thereof;

FIG. 7 is a top plan view thereof; and,

FIG. 8 is a bottom plan view thereof.

The broken lines in the figures illustrate portions of the shoe light that form no part of the claimed design.

**1 Claim, 8 Drawing Sheets**



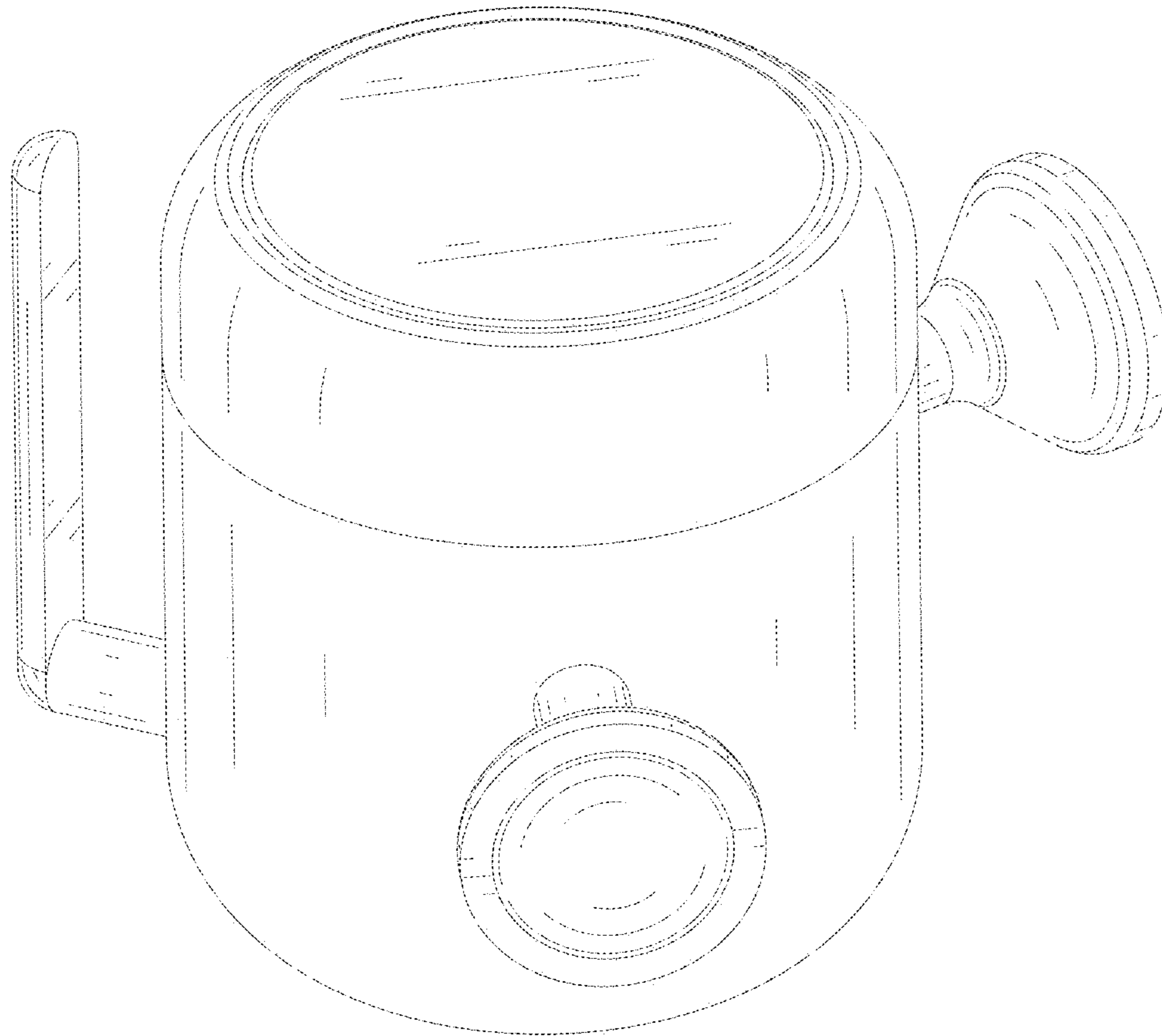


FIG. 1

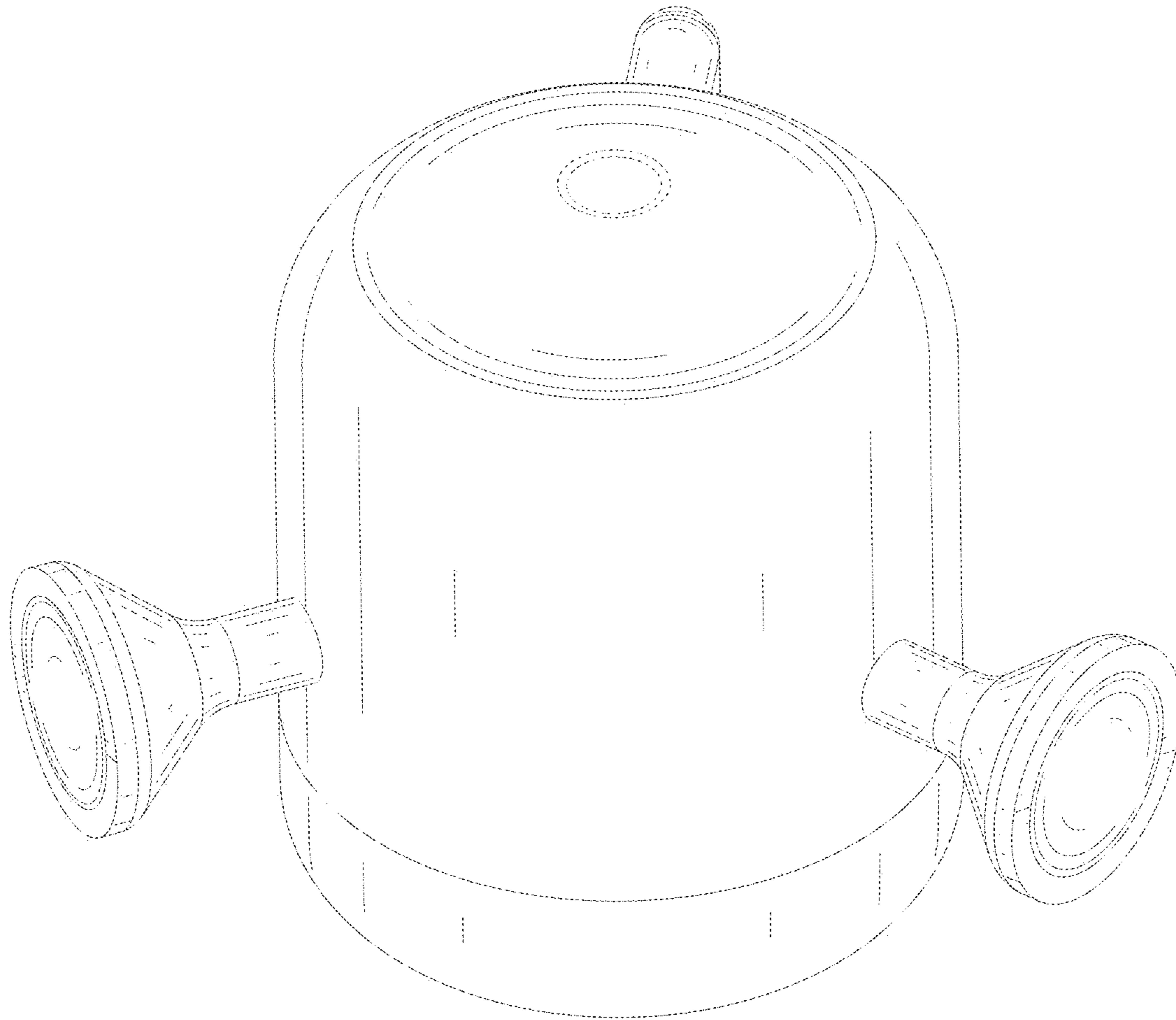


FIG. 2

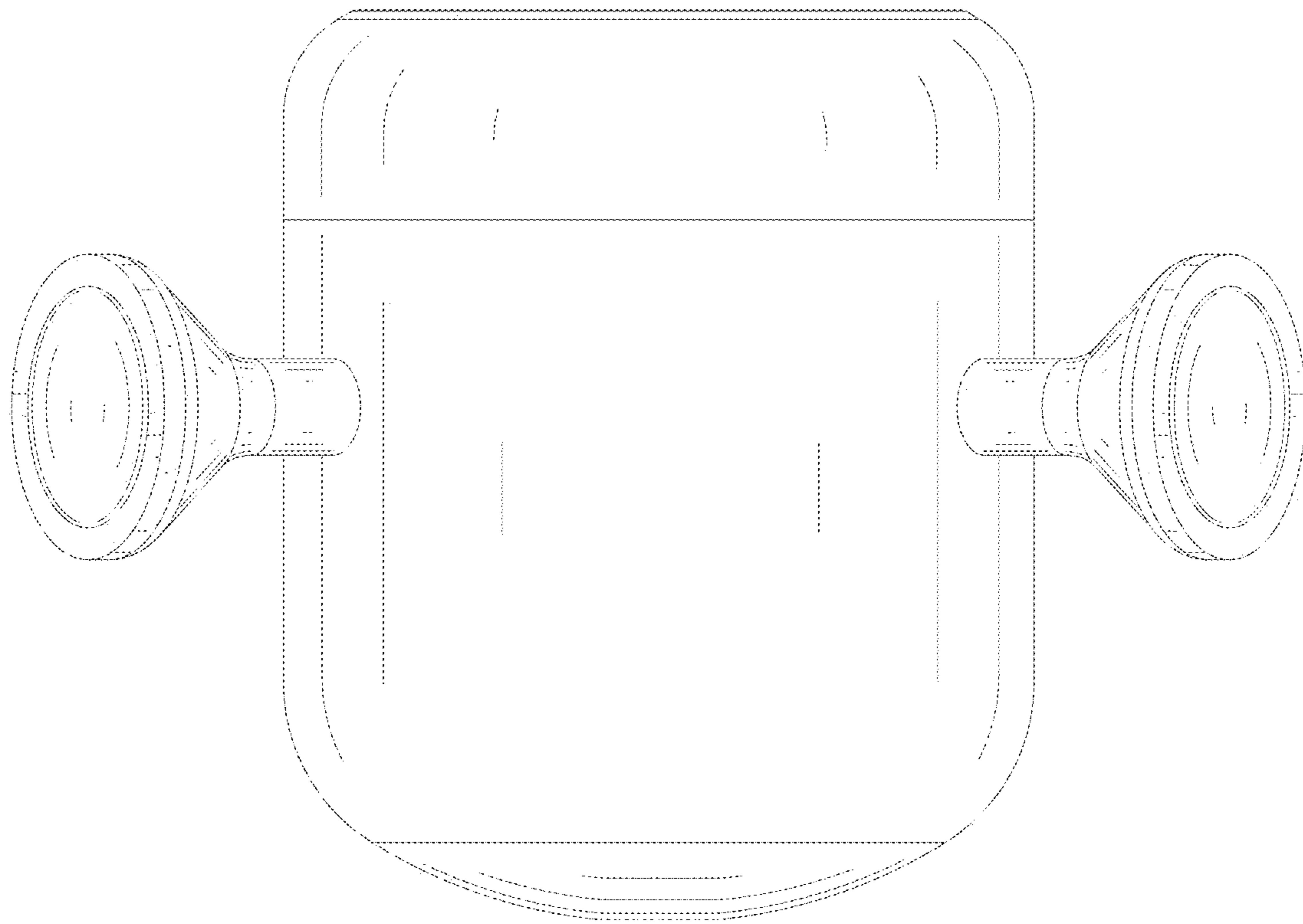


FIG. 3

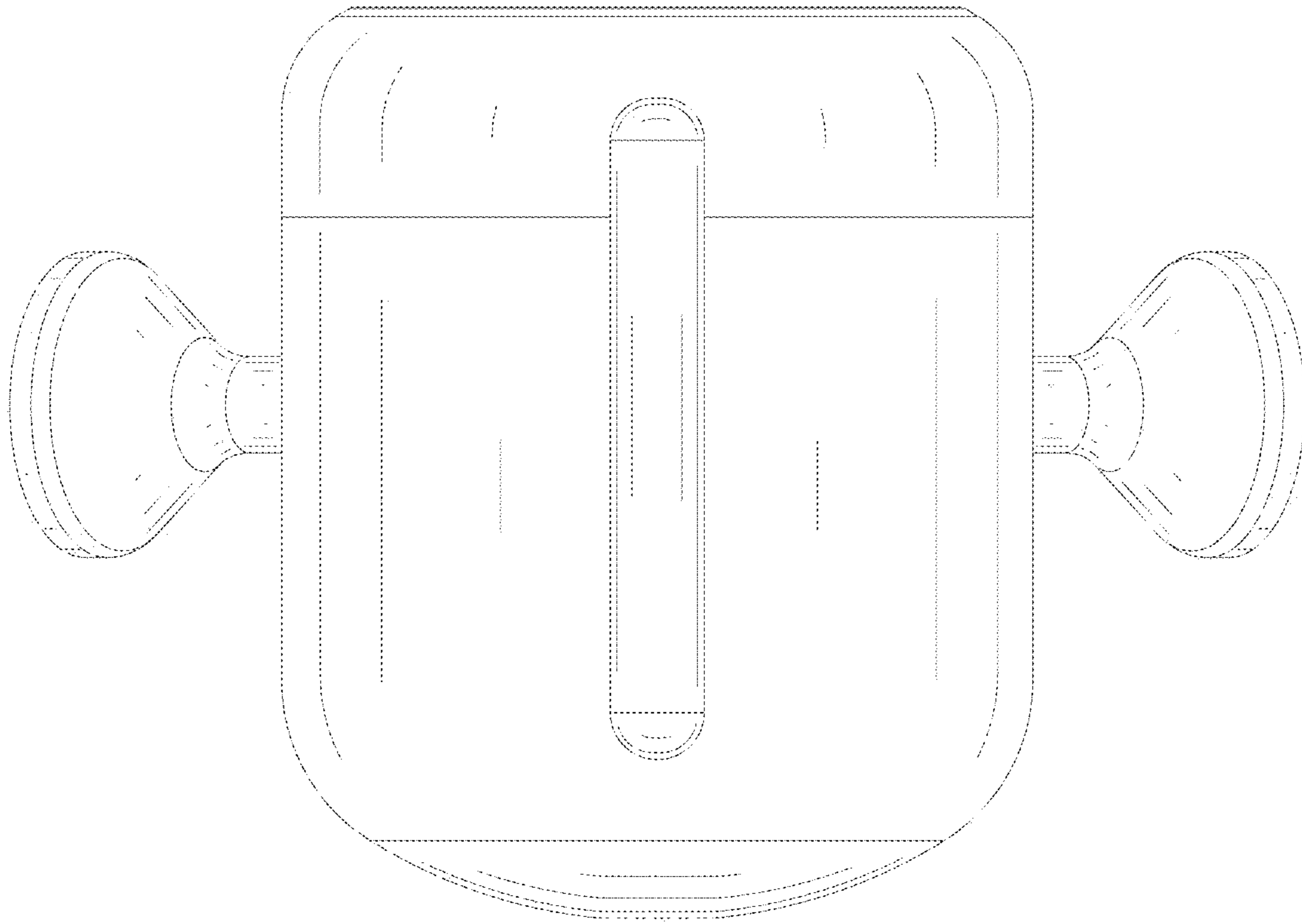


FIG. 4

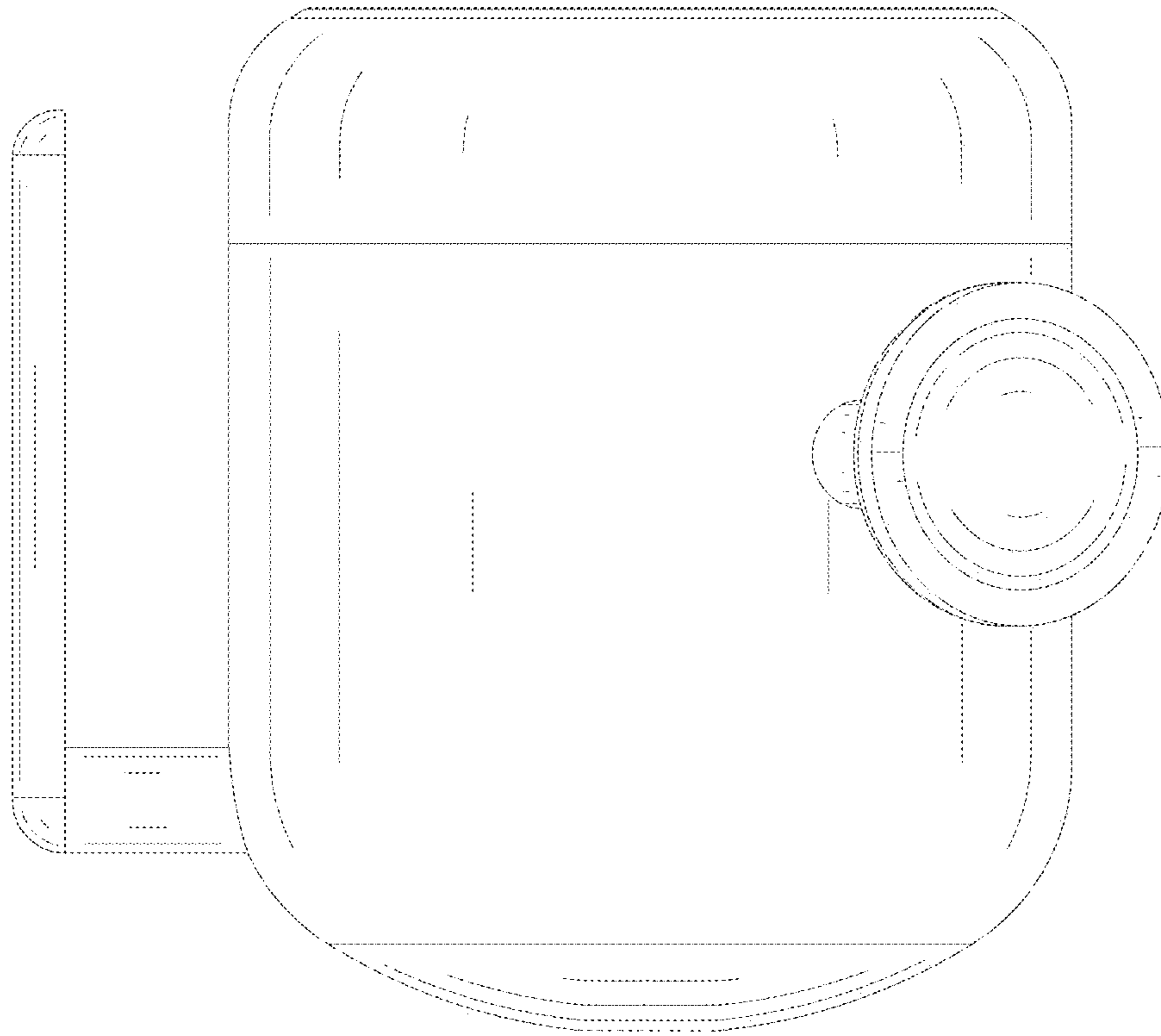


FIG. 5

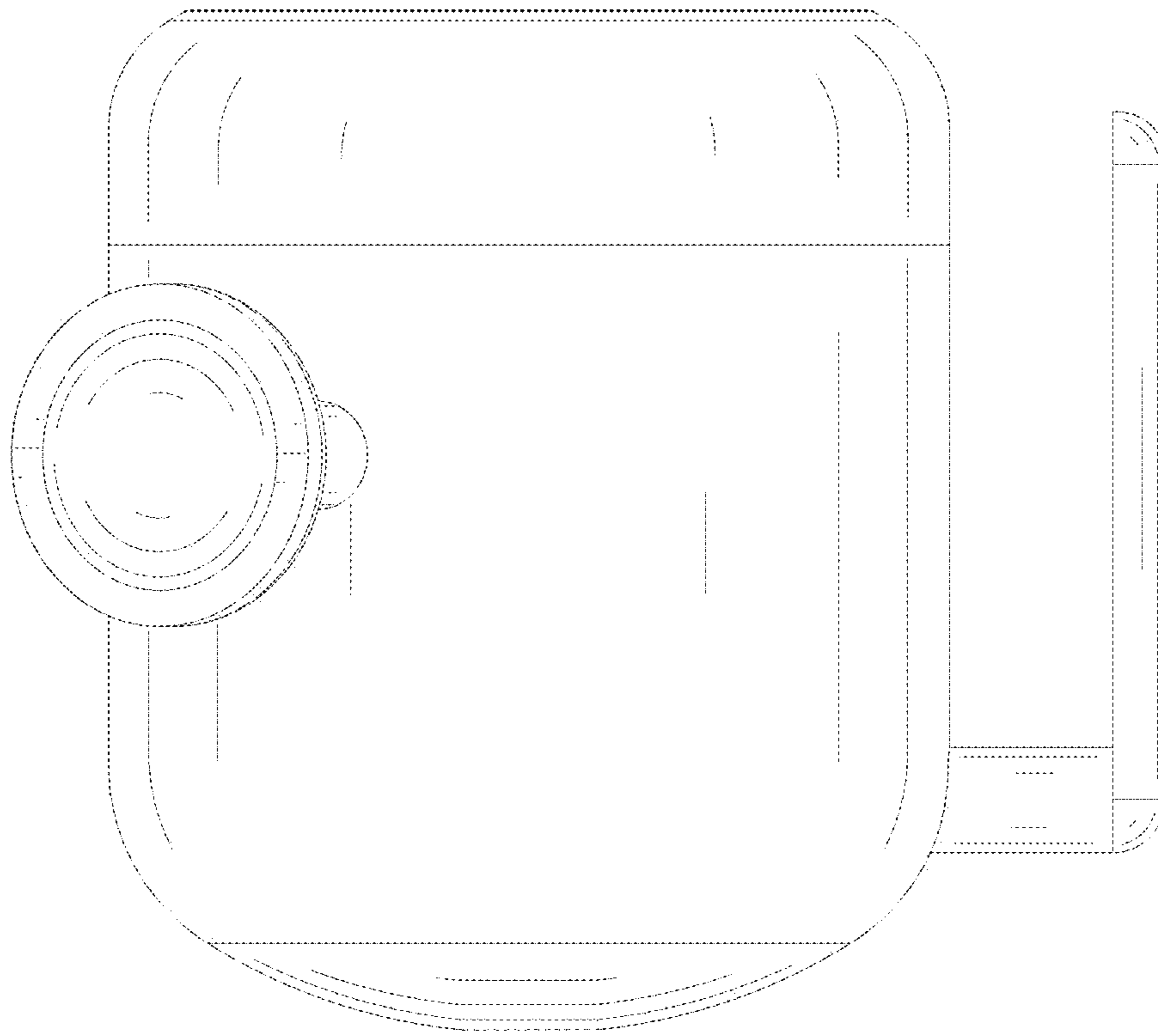


FIG. 6

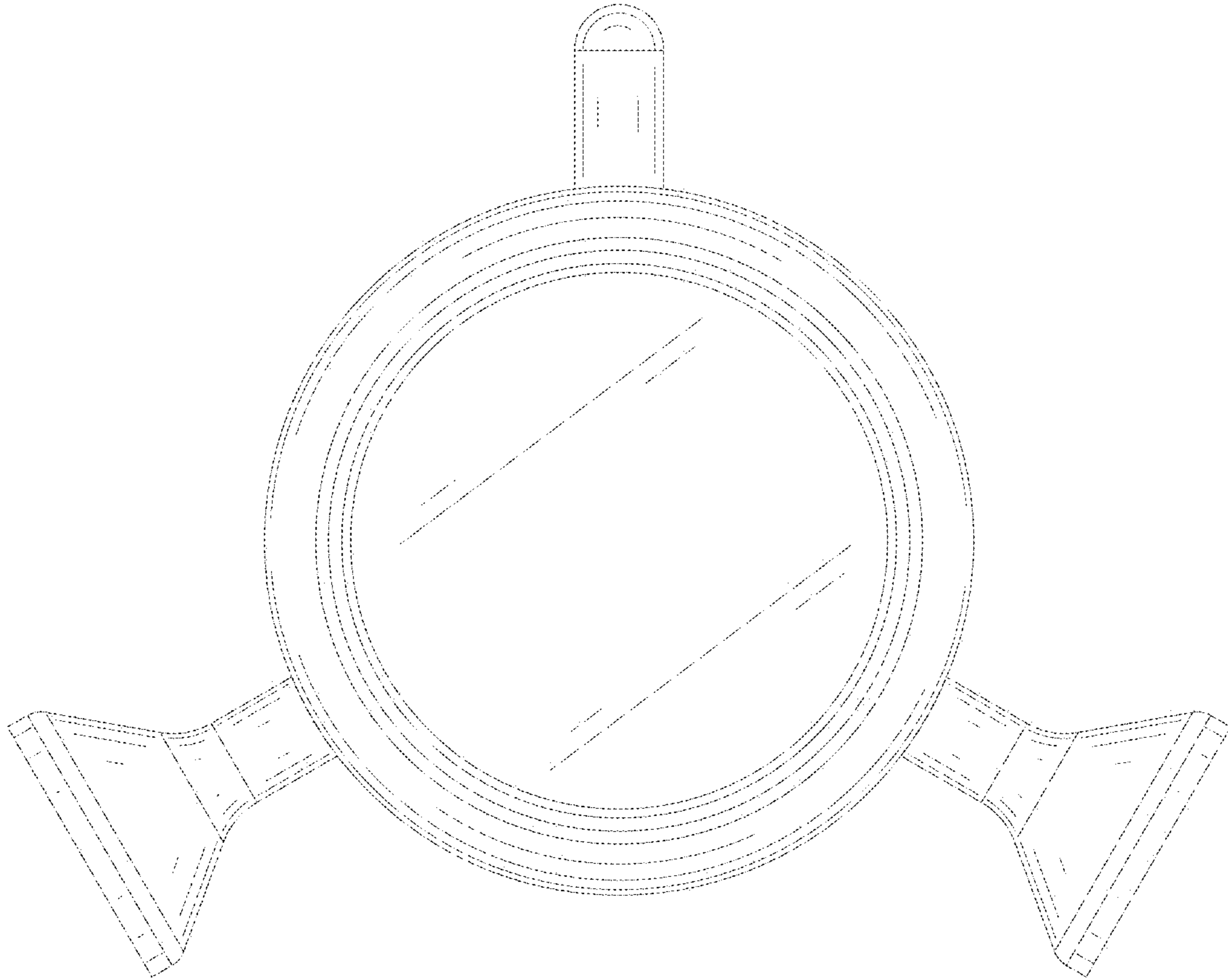


FIG. 7



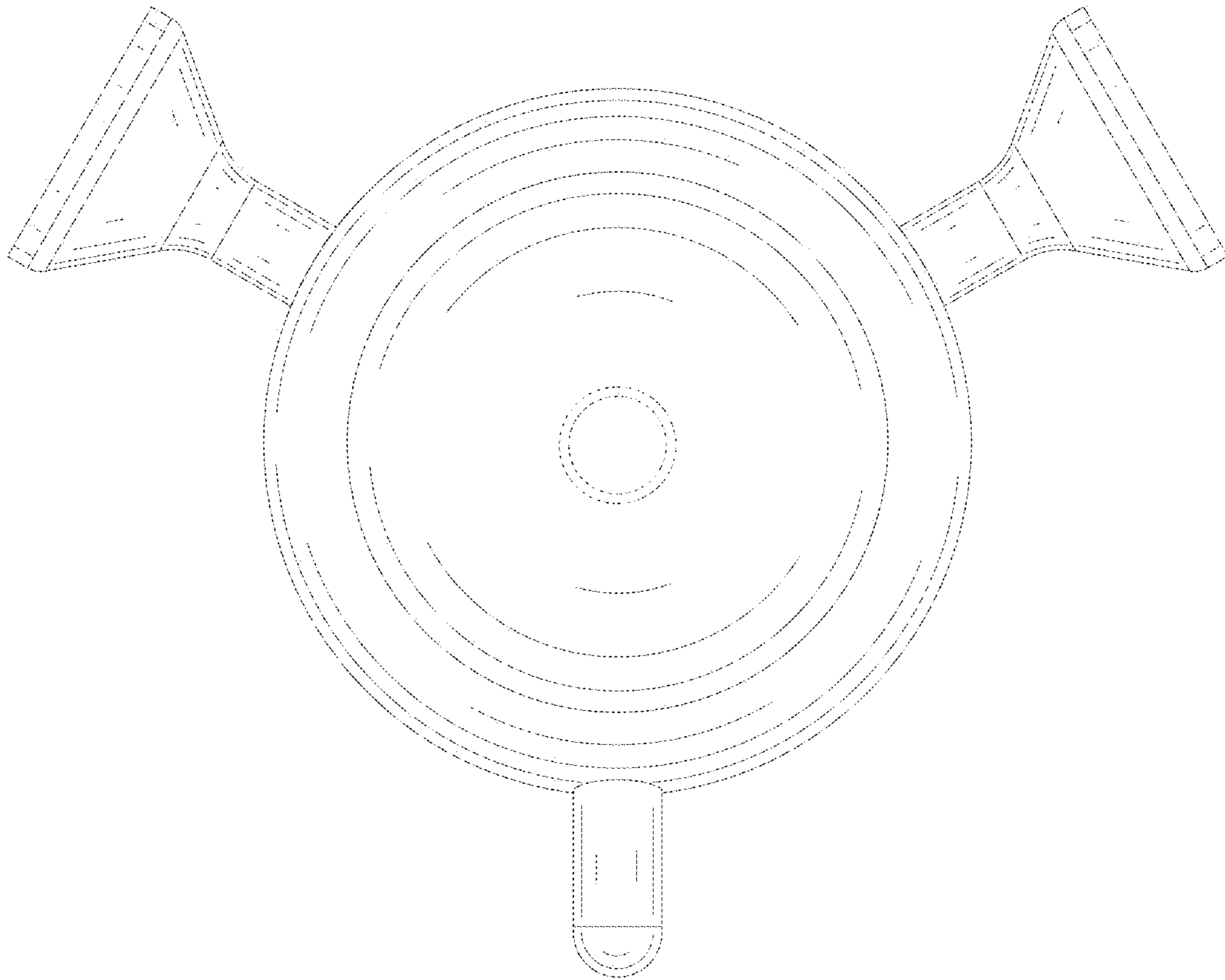


FIG. 8