



US00D988573S

(12) **United States Design Patent** (10) **Patent No.:** **US D988,573 S**
Chen (45) **Date of Patent:** **** Jun. 6, 2023**

(54) **LAMP**
(71) Applicant: **E. MISHAN & SONS, INC.**, New York, NY (US)
(72) Inventor: **Qinan Chen**, Ningbo (CN)
(73) Assignee: **E. MISHAN & SONS, INC.**, New York, NY (US)

7,410,269 B2 8/2008 Harrity
7,562,995 B1 7/2009 Levine
D607,138 S * 12/2009 Pickett D26/128
D607,600 S 1/2010 Keith
7,891,841 B2 2/2011 Levine
D633,644 S 3/2011 Sprengers
D634,053 S 3/2011 Guercio
D642,722 S 8/2011 Oberpriller
(Continued)

(**) Term: **15 Years**

FOREIGN PATENT DOCUMENTS

WO 2006003510 A1 1/2006

(21) Appl. No.: **29/814,259**

OTHER PUBLICATIONS

(22) Filed: **Nov. 4, 2021**

Bell+Howell, Wireless Ceiling Light. First available May 25, 2022. Searched on Apr. 6, 2023. [https://www.amazon.com/Bell-Howell-Wireless-Spotlight-Installation/dp/B0B29MF318] (Year: 2022).*

(51) **LOC (14) Cl.** **26-05**

(52) **U.S. Cl.**
USPC **D26/89**

(58) **Field of Classification Search**
USPC D26/67, 72, 80, 83, 85-89
CPC F21S 8/03; F21S 8/04; F21S 8/043; F21S 8/046; F21S 8/06; F21S 8/061; F21S 8/063; F21V 21/02; F21V 21/03
See application file for complete search history.

(Continued)

Primary Examiner — W. A. Teddy Falloway
Assistant Examiner — Melissa Adriane Santos
(74) *Attorney, Agent, or Firm* — Notaro, Michalos & Zaccaria P.C.

(56) **References Cited**

(57) **CLAIM**

U.S. PATENT DOCUMENTS

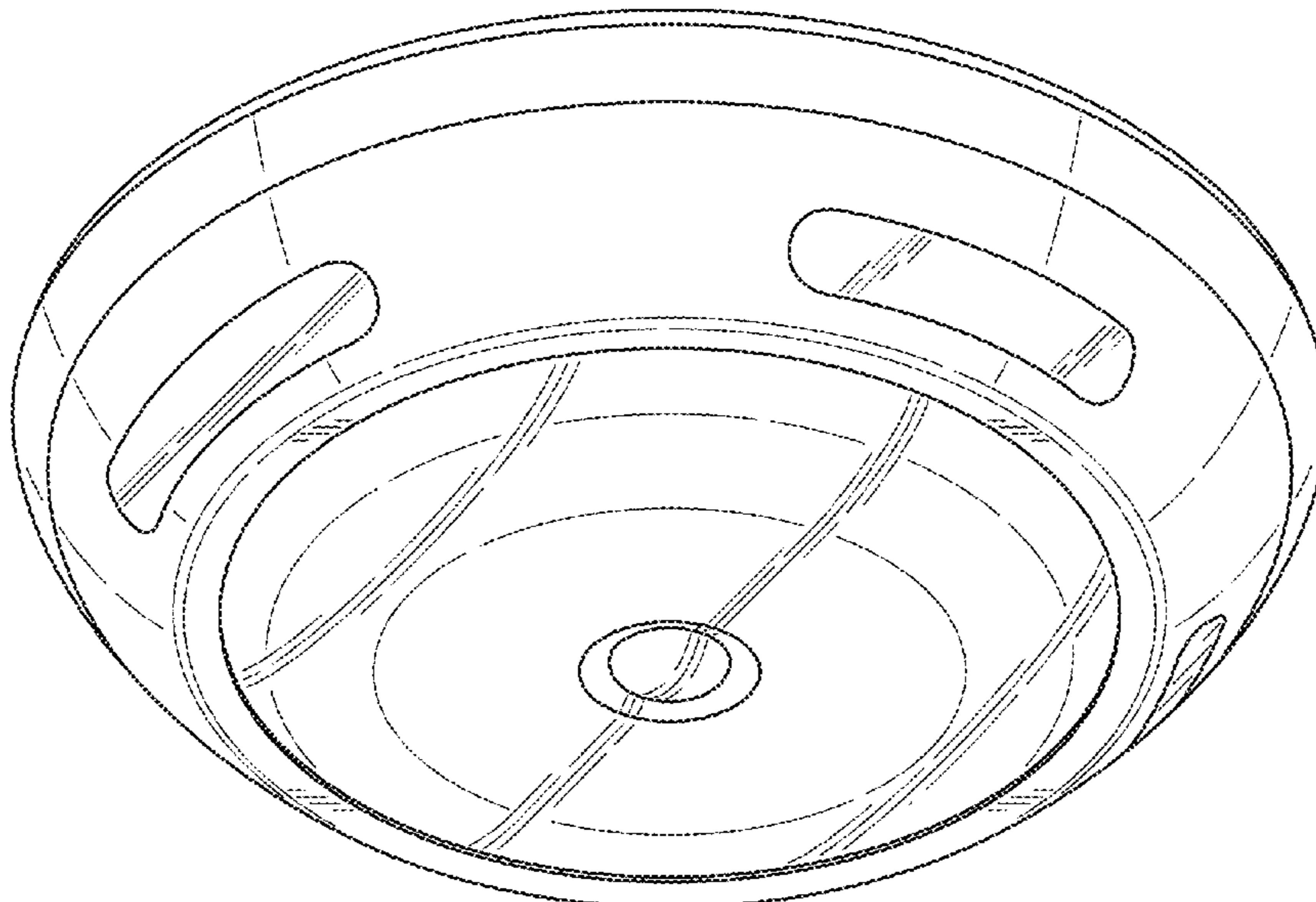
The ornamental design for a lamp, as shown and described.

4,985,813 A 1/1991 Putman
D443,713 S 6/2001 Benensohn
D476,105 S * 6/2003 Alsobrook D26/51
6,641,283 B1 11/2003 Bohler
D484,270 S 12/2003 Yiu
D486,940 S 2/2004 Yiu
6,965,205 B2 11/2005 Piepgras
7,064,498 B2 6/2006 Dowling
7,088,222 B1 8/2006 Dueker
D544,618 S 6/2007 Coushaine
D561,924 S 2/2008 Yiu
7,344,266 B2 3/2008 Coman
D567,987 S 4/2008 Khubani
7,390,104 B2 6/2008 Cousaine
D574,538 S 8/2008 Sanoner

DESCRIPTION

FIG. 1 is a bottom perspective view of a lamp showing my design;
FIG. 2 is a front elevational view thereof, the rear, left and right elevational views thereof being the same due to symmetry;
FIG. 3 is a top plan view thereof; and,
FIG. 4 is a bottom plan view thereof.
Broken lines represent boundaries which form no part of the claimed design.

1 Claim, 4 Drawing Sheets



(56)

References Cited

U.S. PATENT DOCUMENTS

D647,227 S 10/2011 Kaule
 8,167,458 B2 5/2012 Wingett
 8,491,148 B2 7/2013 Cousaine
 D691,763 S 10/2013 Hand
 8,550,653 B2 10/2013 Wilson
 D694,463 S * 11/2013 Sieczkowski D26/124
 D720,090 S 12/2014 Toomey
 D772,367 S 11/2016 Wigant
 D773,103 S 11/2016 Recker
 D797,980 S 9/2017 Maxik
 D800,370 S 10/2017 Sonneman
 D828,606 S 9/2018 Johnson
 D831,268 S 10/2018 Johnson
 D840,575 S 2/2019 Dyck
 D840,582 S 2/2019 Liu
 D841,222 S 2/2019 Johnson
 10,361,409 B2 7/2019 Liu
 D861,958 S 10/2019 Winters
 D866,815 S 11/2019 Wang
 D879,341 S 3/2020 Kassin
 D887,621 S * 6/2020 Wu D26/89
 D891,675 S * 7/2020 Liu D26/85
 D903,927 S 12/2020 Johnson
 D905,887 S 12/2020 Li
 D905,889 S 12/2020 Chen
 D905,895 S 12/2020 Johnson
 D908,266 S 1/2021 Winters

D909,646 S 2/2021 Saboo
 D909,656 S 2/2021 Ng
 D917,092 S 4/2021 Zhang
 D923,072 S * 6/2021 Persson D16/203
 D925,076 S * 7/2021 Zhao D26/24
 D925,803 S 7/2021 Zhong
 D930,878 S 9/2021 Nobes
 D932,679 S 10/2021 Johnson
 D936,272 S 11/2021 Johnson
 11,255,532 B1 2/2022 Tong
 D948,101 S * 4/2022 Shen D26/89
 D948,774 S * 4/2022 Shen D26/89
 D954,325 S 6/2022 Liao
 D954,640 S 6/2022 Zhu
 D966,591 S 10/2022 Kane
 2002/0159258 A1 10/2002 Beeman
 2004/0036424 A1 2/2004 Hsieh
 2008/0310144 A1 * 12/2008 Wu F21V 21/0885
 362/105
 2009/0097238 A1 4/2009 Cousaine
 2020/0404768 A1 12/2020 Hou
 2021/0088193 A1 3/2021 Hou

OTHER PUBLICATIONS

BLS, Motion Sensor Light. First available Aug. 1, 2021. Searched on Apr. 6, 2023. [<https://www.amazon.com/BLS-Cabinet-Operated-Wireless-Dimmable/dp/B09D7HGT6Z/>] (Year: 2021).*

* cited by examiner

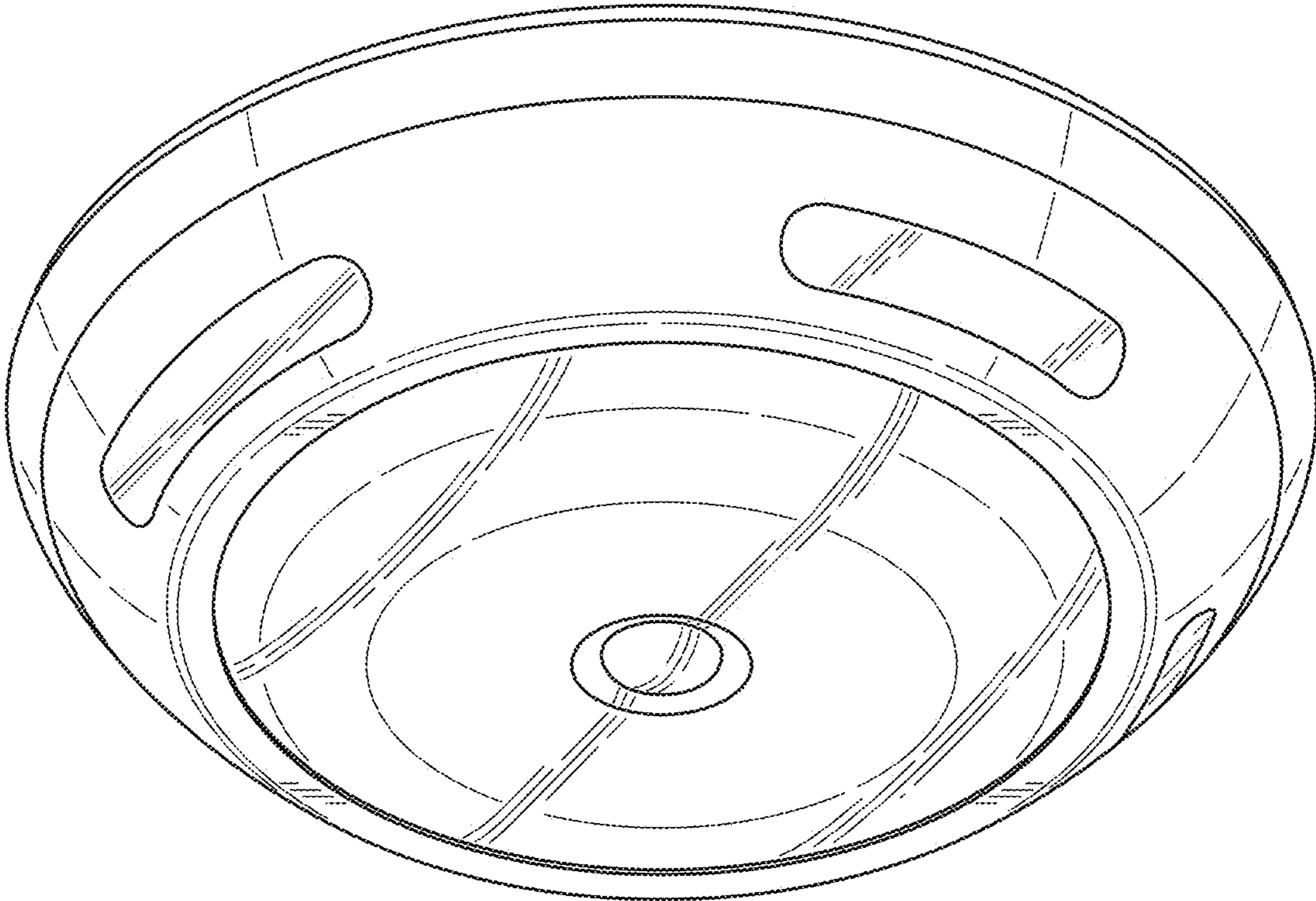


FIG. 1

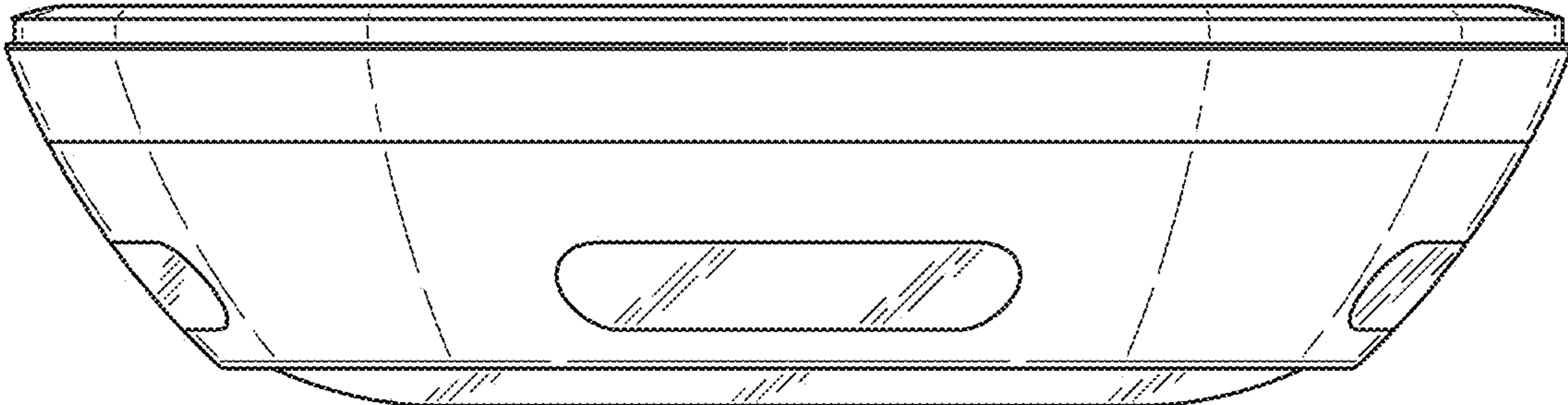


FIG. 2

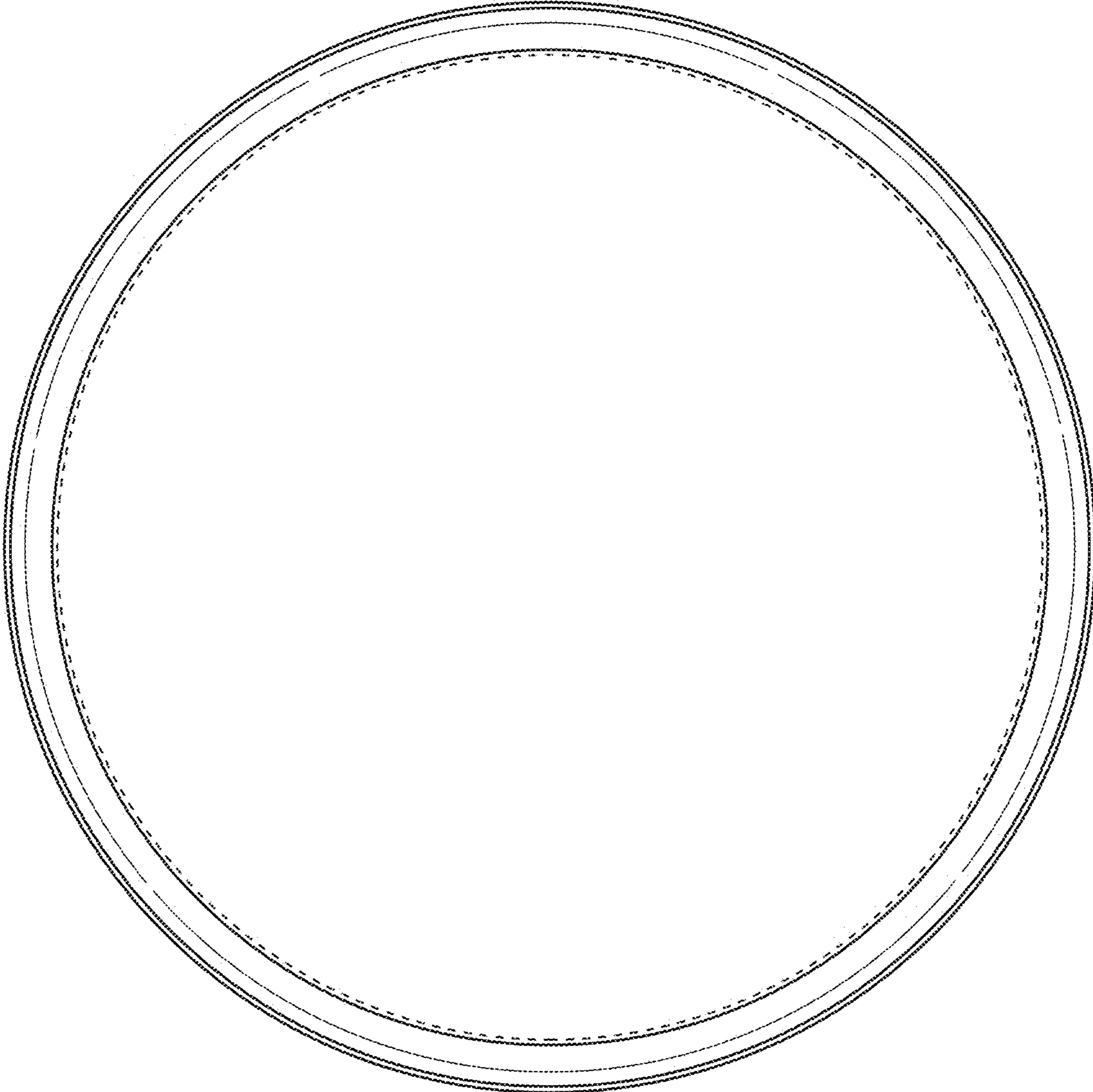


FIG. 3

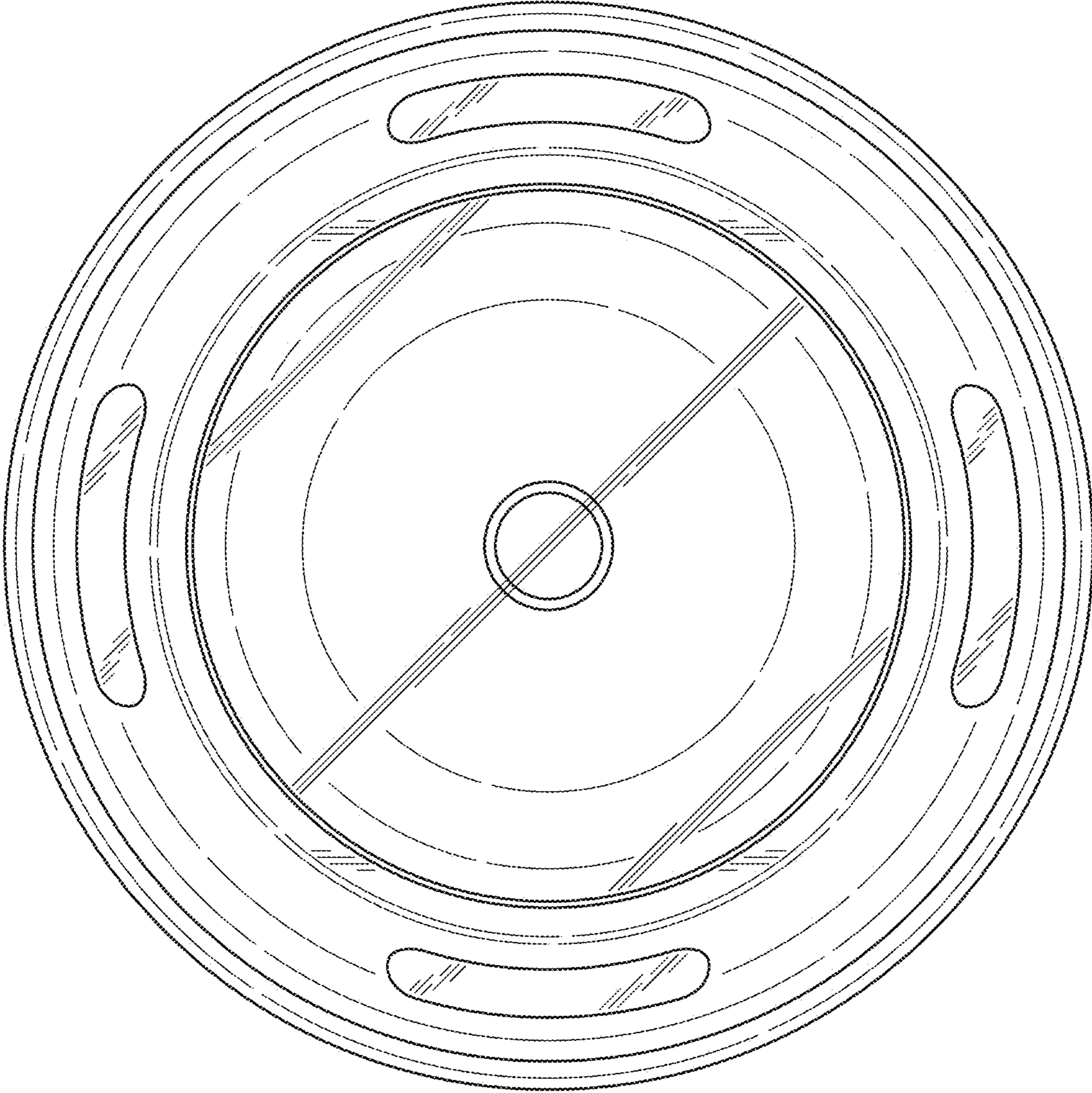


FIG. 4