



US00D988571S

(12) **United States Design Patent**
Kong

(10) **Patent No.:** **US D988,571 S**
(45) **Date of Patent:** **** Jun. 6, 2023**

(54) **LED HIGH BAY LIGHT**

(71) Applicant: **Qian Kong**, Huizhou (CN)

(72) Inventor: **Qian Kong**, Huizhou (CN)

(**) Term: **15 Years**

(21) Appl. No.: **29/861,732**

(22) Filed: **Dec. 1, 2022**

(51) **LOC (14) Cl.** **26-05**

(52) **U.S. Cl.**
USPC **D26/88**

(58) **Field of Classification Search**

USPC D26/1, 72, 80, 88, 89

CPC F21W 2131/40; F21V 29/76; F21V 29/77;

F21V 29/777; F21V 29/78

See application file for complete search history.

(56) **References Cited**

U.S. PATENT DOCUMENTS

D811,642 S *	2/2018	Liang	D26/72
D831,261 S *	10/2018	Ding	D26/88
D839,469 S *	1/2019	Deng	D26/88
D868,332 S *	11/2019	Zhao	D26/72
D906,566 S *	12/2020	Li	D26/72
D908,264 S *	1/2021	Liu	D26/72
D934,480 S *	10/2021	Guo	D26/72
D936,266 S *	11/2021	Sung	D26/72
D942,664 S *	2/2022	Xie	D26/72
D955,028 S *	6/2022	Xie	D26/88
D955,029 S *	6/2022	Kong	D26/88
D973,942 S *	12/2022	Ma	D26/70

FOREIGN PATENT DOCUMENTS

CN	305276945	*	7/2019
CN	306798077	*	8/2021
CN	307588289	*	10/2022
IN	293448-0001	*	2/2018

OTHER PUBLICATIONS

RuggedGrade 40,000 Lumen LED, available in <https://www.amazon.com/>, posted: Jul. 12, 2016 [online], [site visited: Jan. 12, 2023], Internet URL: <https://www.amazon.com/Motion-Sensor-LED-High-Bay/dp/B083N12JC6?th=1> (Year: 2016).*

LEDMyplace 100W UFO, available in <https://www.amazon.com/>, posted: Jan. 19, 2021 [online], [site visited: Jan. 12, 2023], Internet URL: <https://www.amazon.com/LEDMyplace-21750LM-Dimmable-Warehouse-Workshop/dp/B08TFSLGHB?th=1> (Year: 2021).*

(Continued)

Primary Examiner — Sheryl Lane

Assistant Examiner — Alex T. Milbrath

(57) **CLAIM**

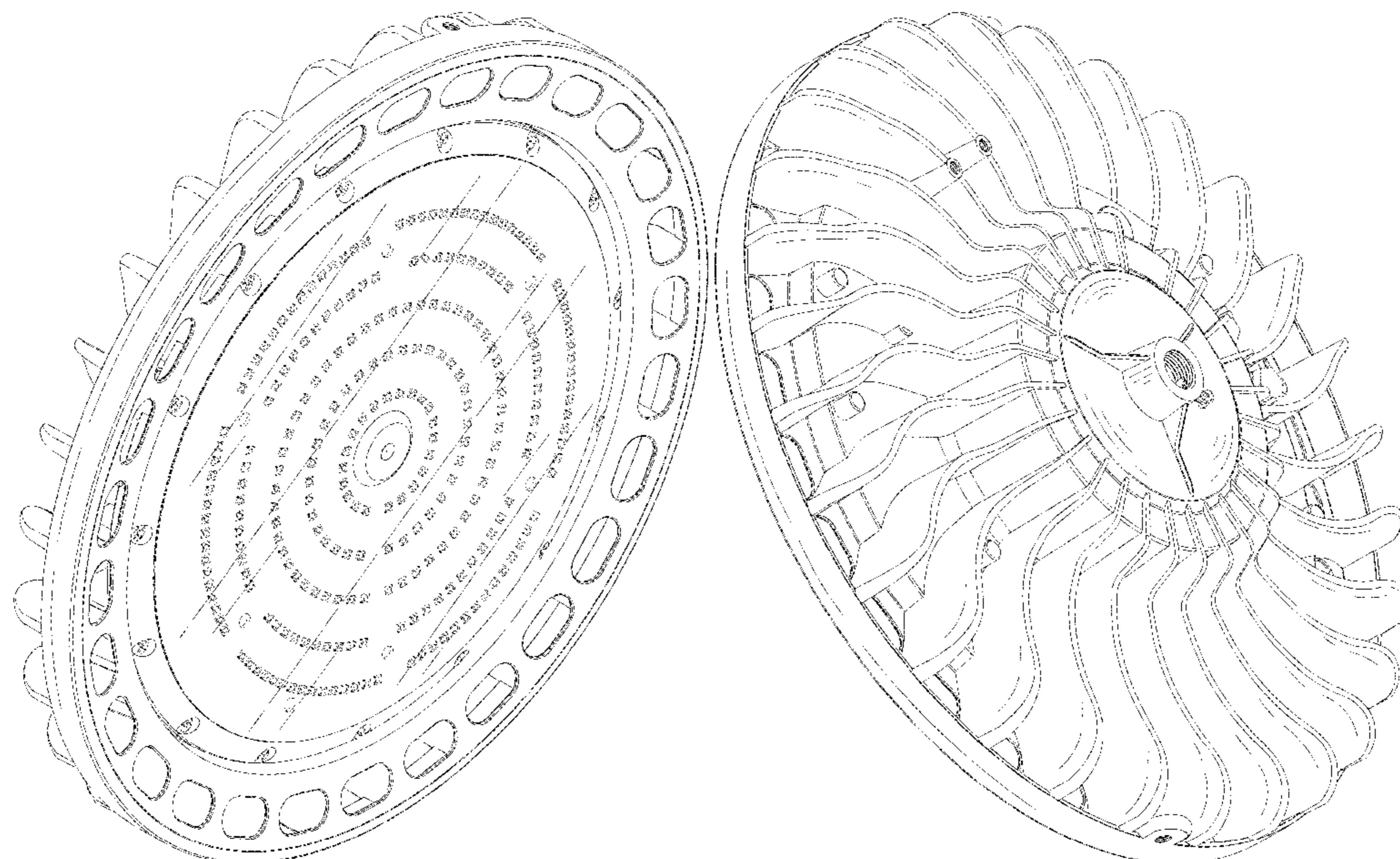
The ornamental design for an LED high bay light, as shown and described.

DESCRIPTION

FIG. 1 is a front perspective view of an LED high bay light, showing my new design;
FIG. 2 is a rear perspective view thereof;
FIG. 3 is a front view thereof;
FIG. 4 is a rear view thereof;
FIG. 5 is a left side view thereof;
FIG. 6 is a right side view thereof;
FIG. 7 is a top view thereof; and,
FIG. 8 is a bottom view thereof.

The broken lines in the drawings illustrate the portions of the LED high bay light, which form no part of the claimed design.

1 Claim, 8 Drawing Sheets



(56)

References Cited

OTHER PUBLICATIONS

Sokply LED Explosion Proof Light, available in <https://www.amazon.com/>, posted: Nov. 23, 2021 [online], [site visited: Jan. 12, 2023], Internet URL: <https://www.amazon.com/Sokply-Explosion-Certified-Hazardous-Luminaires/dp/B09MFDRBXL?th=1> (Year: 2021).*

ZXICH Super Bright UFO LED High Bay Light, available in <https://www.amazon.com/>, posted: Sep. 23, 2022 [online], [site visited: Jan. 12, 2023], Internet URL: https://www.amazon.com/dp/B0B3JQR712/ref=sspa_dk_detail_6?pf_rd_p=46bad5f6-1f0a-4167-9a8b-c8a82fa48a54&pf_rd_r=V5FWS356S7JRMN5... (Year: 2022).*

* cited by examiner

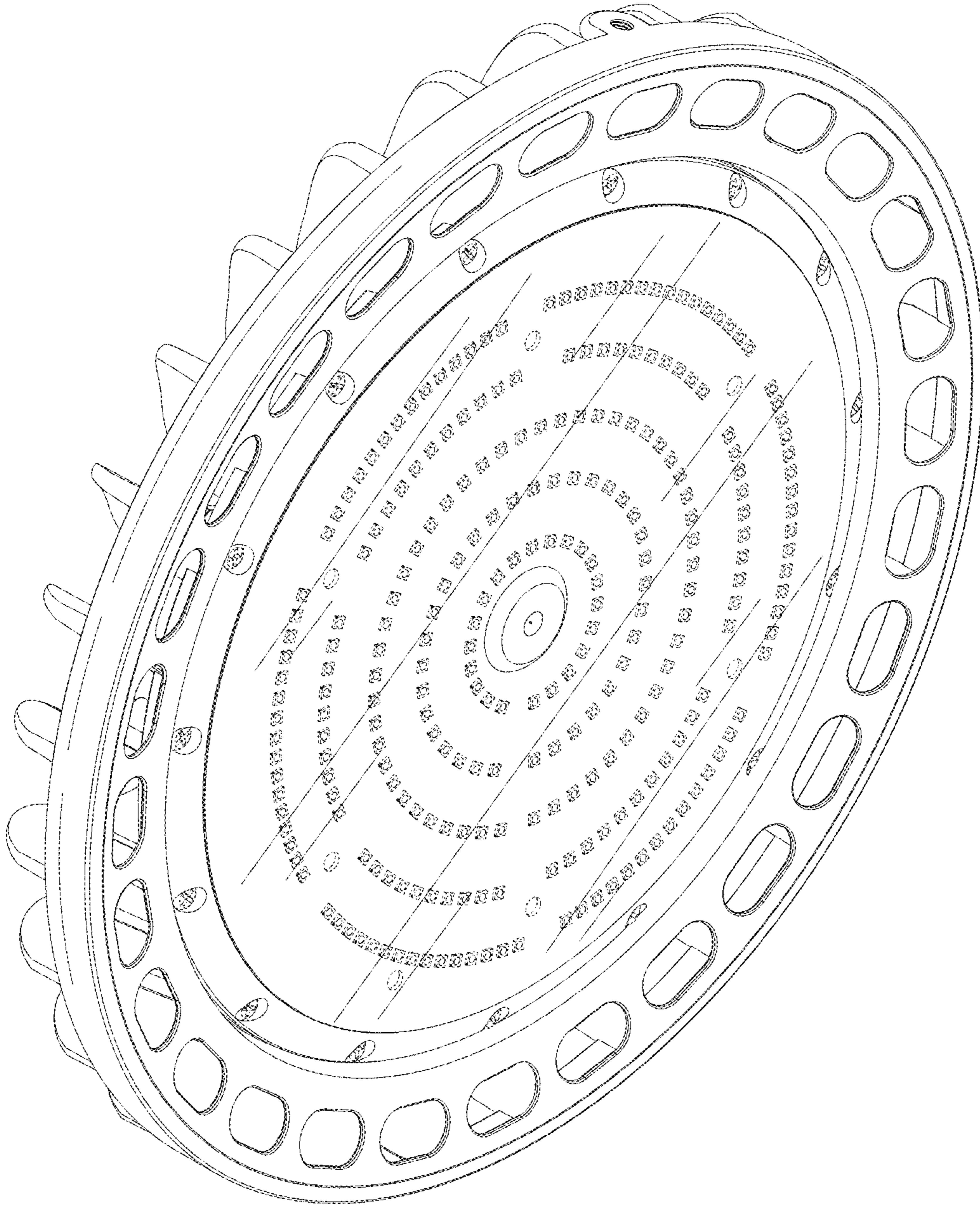


FIG. 1

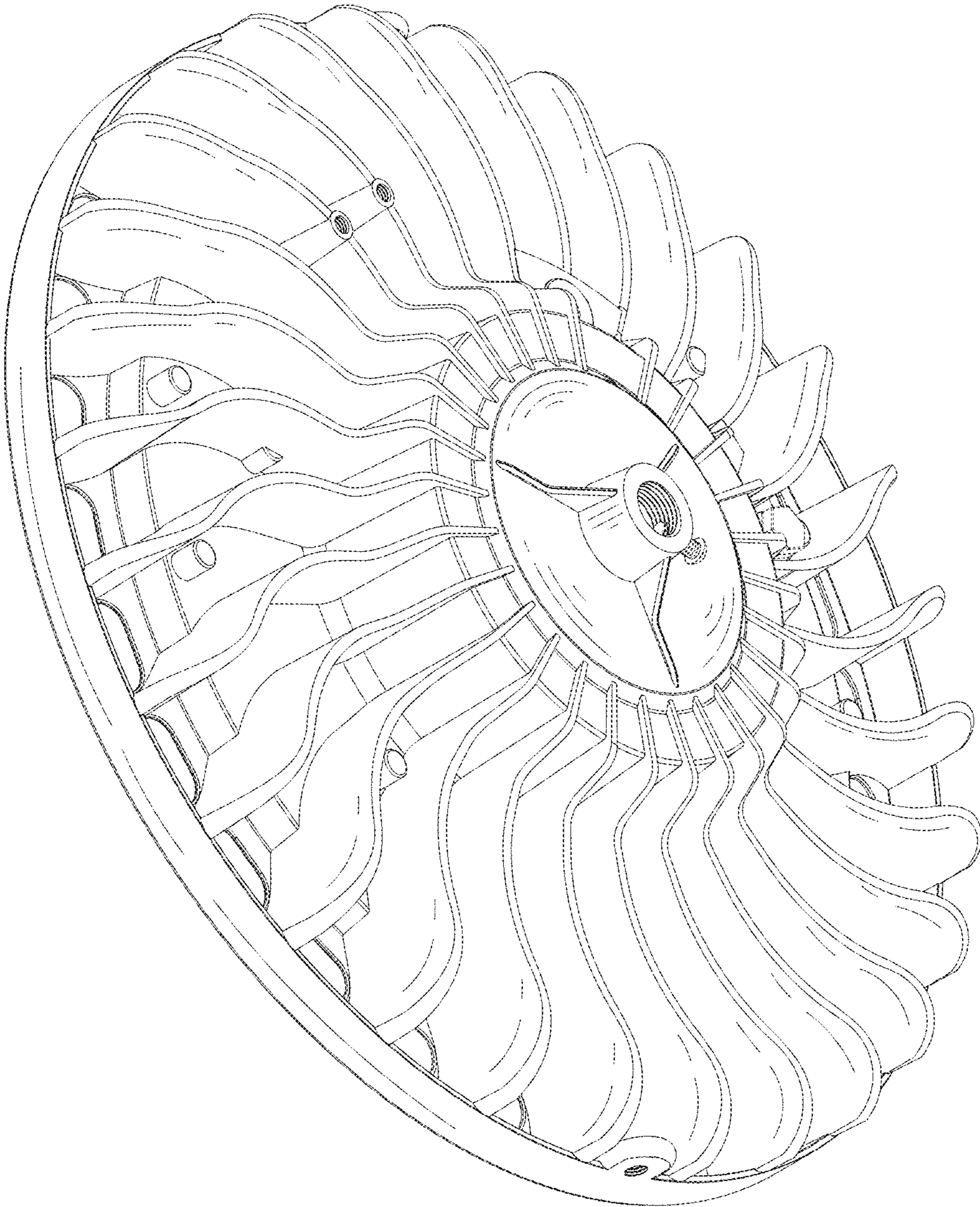


FIG. 2

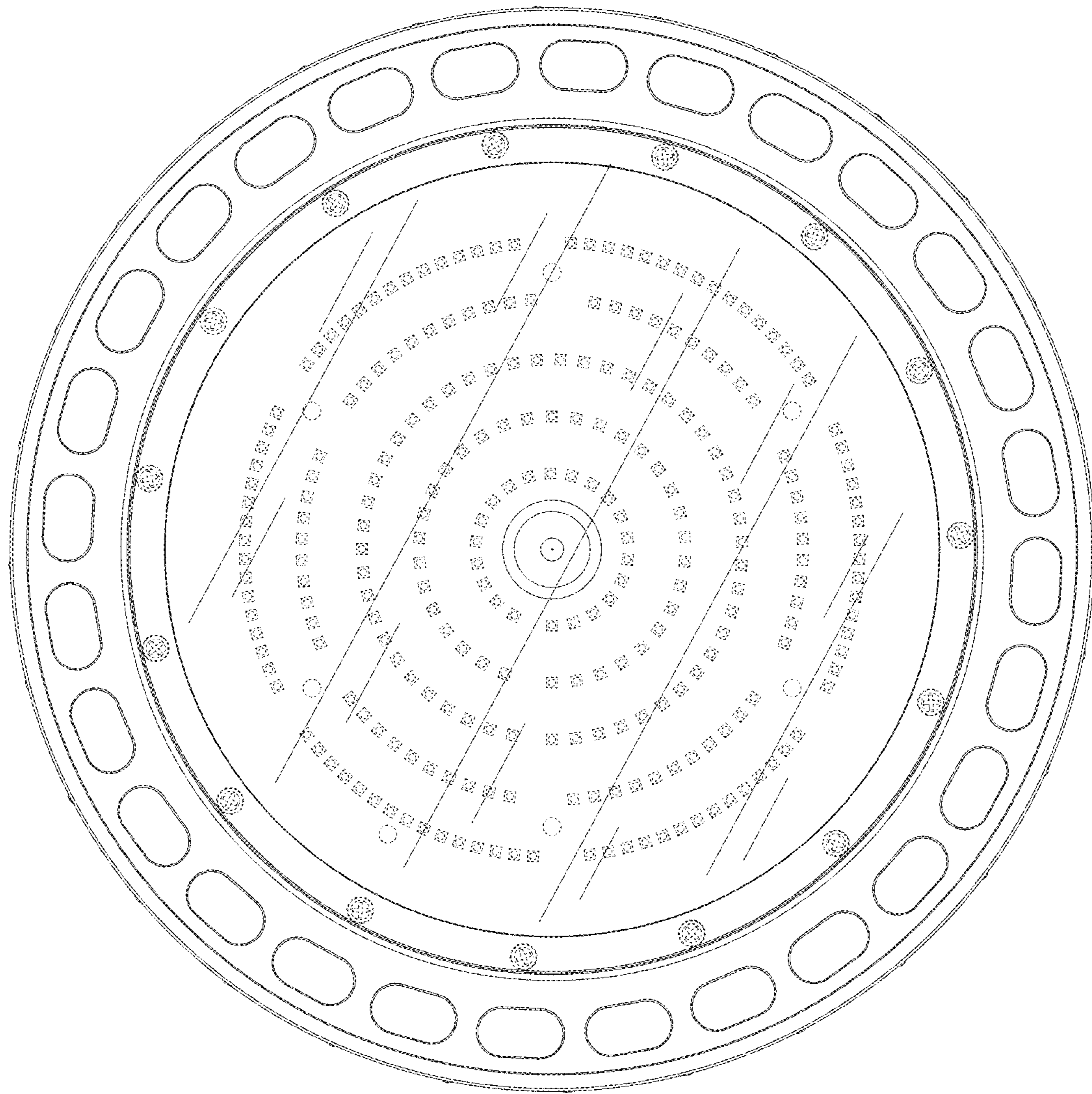


FIG. 3

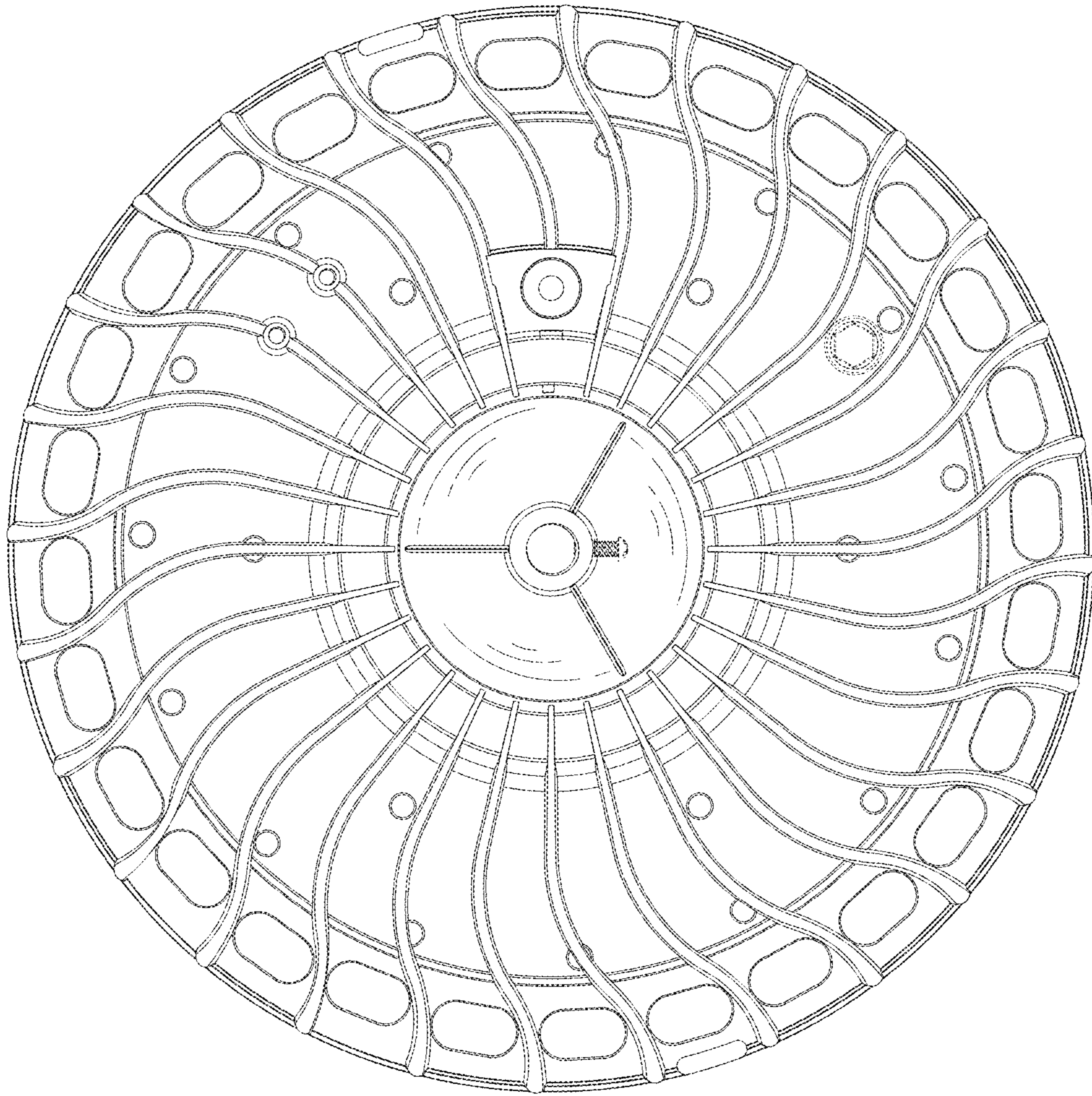


FIG. 4

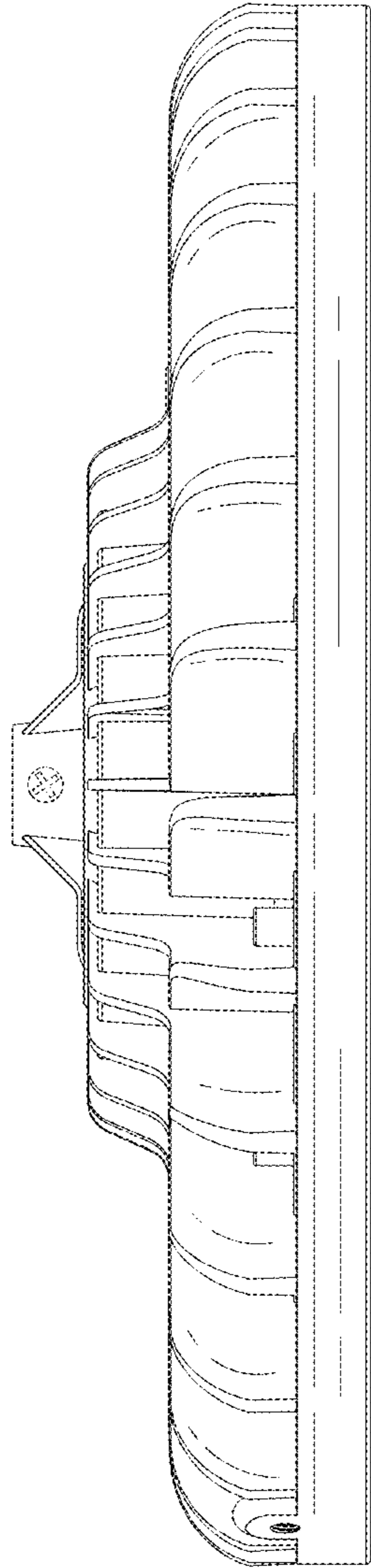


FIG. 5

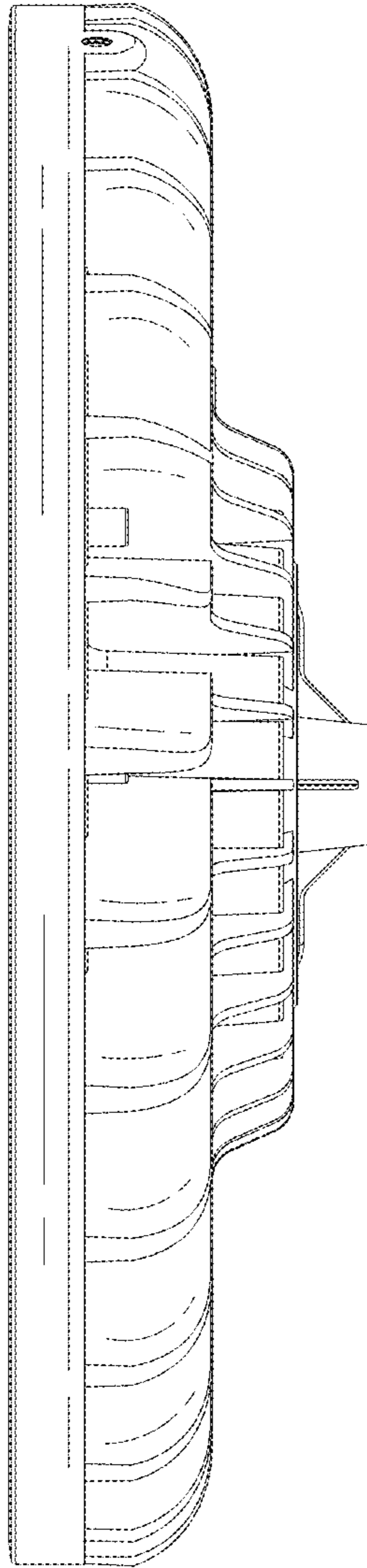


FIG. 6

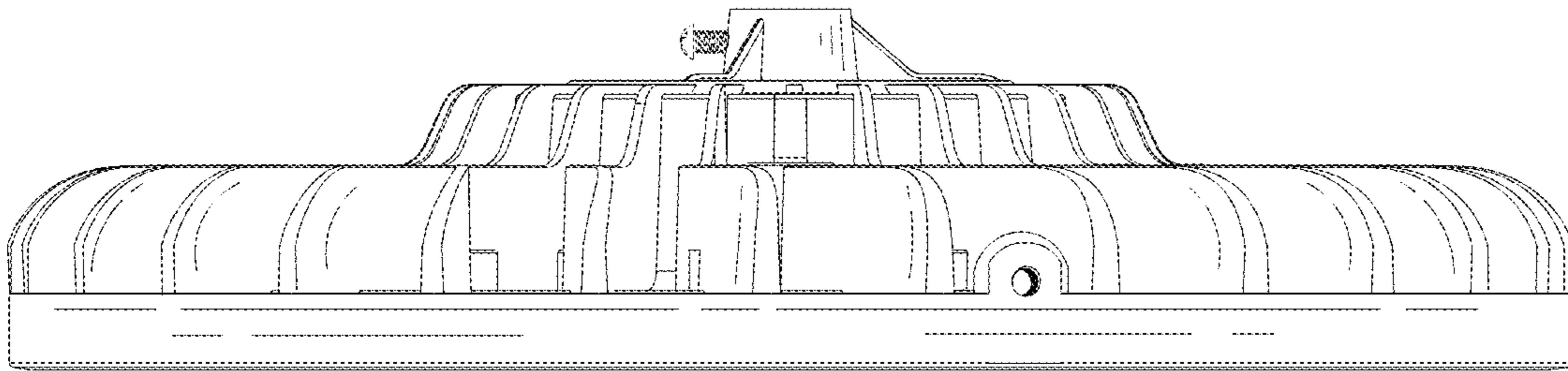


FIG. 7

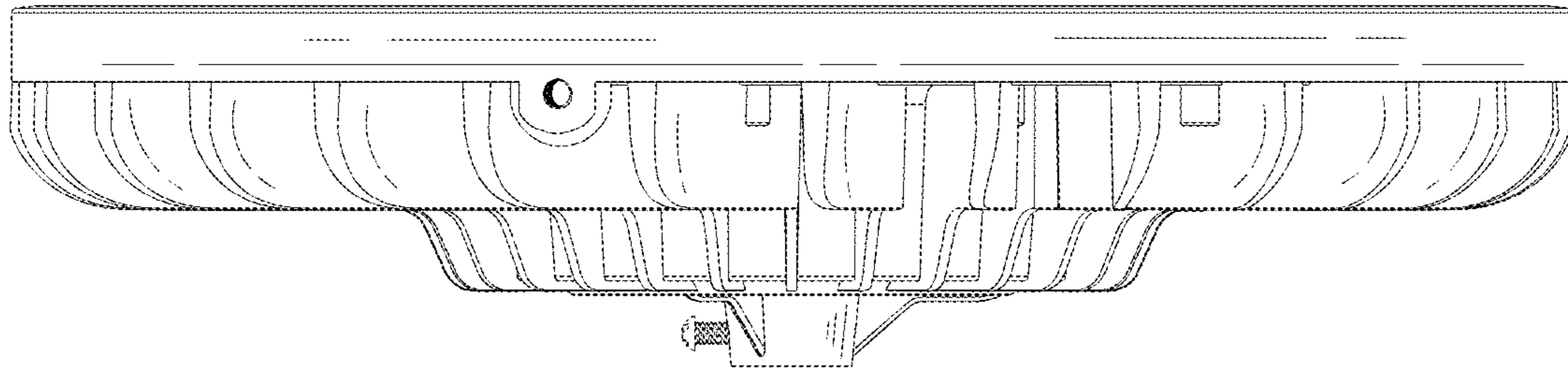


FIG. 8