



US00D988569S

(12) **United States Design Patent** (10) **Patent No.:** **US D988,569 S**  
**Wang** (45) **Date of Patent:** **\*\* Jun. 6, 2023**

(54) **SOLAR CHANDELIER**

FOREIGN PATENT DOCUMENTS

(71) Applicant: **Xiaohong Wang**, Quanzhou (CN)

EM 008504880-0001 \* 4/2021

(72) Inventor: **Xiaohong Wang**, Quanzhou (CN)

EM 008504880-0003 \* 4/2021

EM 008504880-0005 \* 4/2021

EM 008821052-0002 \* 1/2022

(\*\*) Term: **15 Years**

OTHER PUBLICATIONS

(21) Appl. No.: **29/749,498**

(22) Filed: **Sep. 5, 2020**

Hanging Solar Lights Tomshine Solar Lantern LED Garden Lights Metal Lamp, available in <https://www.amazon.com/>, posted: Jan. 2, 2020 [online], [site visited Jun. 8, 2022], Internet URL: [https://www.amazon.com/dp/B083DCMG14/ref=sspa\\_dk\\_detail\\_2?psc=1&pf\\_rd\\_p=f9710d1d](https://www.amazon.com/dp/B083DCMG14/ref=sspa_dk_detail_2?psc=1&pf_rd_p=f9710d1d) (Year: 2020).\*

(51) **LOC (14) Cl.** ..... **26-05**

(52) **U.S. Cl.**  
USPC ..... **D26/88**

(58) **Field of Classification Search**

USPC ... D26/1, 24, 37, 38, 40, 41, 48, 49, 50, 51,  
D26/72, 74, 80, 83, 85, 86, 89, 91, 118,  
D26/120, 124, 128, 131, 135, 88  
CPC ..... F21S 8/00; F21S 8/03; F21S 8/033; F21S  
8/06; F21S 8/036; F21S 8/061; F21S  
9/00; F21S 9/02; F21S 9/03; F21S 9/32;  
F21S 9/35; F21S 9/37; F21S 10/00; F21S  
10/005

See application file for complete search history.

(Continued)

*Primary Examiner* — Sheryl Lane

*Assistant Examiner* — Alex T. Milbrath

(57) **CLAIM**

The ornamental design for a solar chandelier, as shown and described.

(56) **References Cited**

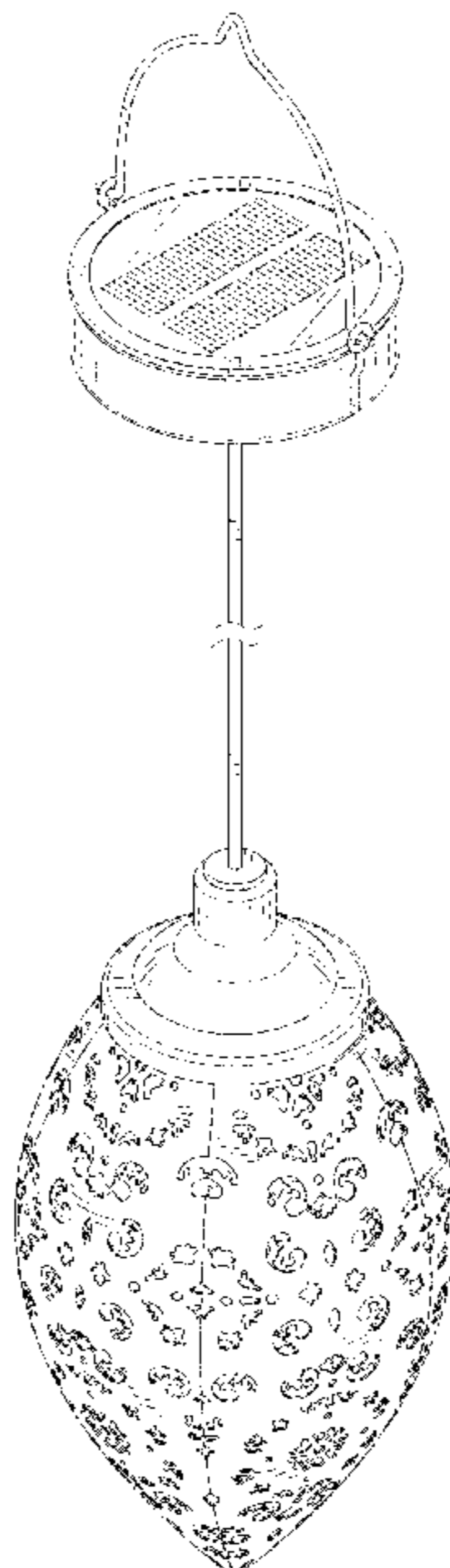
**DESCRIPTION**

U.S. PATENT DOCUMENTS

D863,655 S \* 10/2019 Huang ..... D26/110  
D886,344 S \* 6/2020 Ho ..... D26/41  
D888,306 S \* 6/2020 Ho ..... D26/41  
D921,249 S \* 6/2021 Peng ..... D26/41  
D931,511 S \* 9/2021 Yan ..... F21L 4/00  
D26/40  
D935,070 S \* 11/2021 Chen ..... D26/37  
D935,081 S \* 11/2021 Peng ..... D26/41  
D935,661 S \* 11/2021 Hu ..... D26/41  
D942,663 S \* 2/2022 Liao ..... D26/67  
D945,041 S \* 3/2022 Zhang ..... D26/40  
D946,805 S \* 3/2022 Wu ..... D26/67  
D953,593 S \* 5/2022 Chen ..... D26/41

FIG. 1 is a front, right side, top perspective view of a solar chandelier showing my new design;  
FIG. 2 is a rear, left side, bottom perspective view thereof;  
FIG. 3 is a front elevational view thereof;  
FIG. 4 is a rear elevational view thereof;  
FIG. 5 is a left side elevational view thereof;  
FIG. 6 is a right side elevational view thereof;  
FIG. 7 is a top plan view thereof; and,  
FIG. 8 is a bottom plan view thereof.  
The broken lines depict portions of the solar chandelier that form no part of the claimed design.

**1 Claim, 8 Drawing Sheets**



(56)

**References Cited**

OTHER PUBLICATIONS

Solar Lights Outdoor Garden Solar Garden Lights,Daisy Wrought Iron Chandelier, available in <https://www.amazon.com/>, posted: 2022 [online], [site visited Jun. 8, 2022], Internet URL: [https://www.amazon.com/Outdoor-Wrought-Chandelier-Pendant-Projection/dp/B0B1B55R4Y/ref=sr\\_1\\_71](https://www.amazon.com/Outdoor-Wrought-Chandelier-Pendant-Projection/dp/B0B1B55R4Y/ref=sr_1_71) (Year: 2022).\*

Ulmisfee Hanging Solar Lights Solar Lantern LED Garden Lights, available in <https://www.amazon.com/>, posted: May 10, 2021 [online], [site visited Jun. 8, 2022], Internet URL: [https://www.amazon.com/Ulmisfee-Hanging-Lantern-Waterproof-Lanterns/dp/B094HVJ23P/ref=psdc\\_495224\\_t1\\_B083DCMG14?th=1](https://www.amazon.com/Ulmisfee-Hanging-Lantern-Waterproof-Lanterns/dp/B094HVJ23P/ref=psdc_495224_t1_B083DCMG14?th=1) (Year: 2021).\*

Kaixoxin Solar Lantern Lights for Hanging or Table Outdoor Solar Light, available in <https://www.amazon.com/>, posted: Aug. 3, 2018 [online], [site visited Jun. 8, 2022], Internet URL: [https://www.amazon.com/Lantern-Lights-Hanging-Outdoor-Courtyard/dp/B07CTDLLFT/ref=psdc\\_495224\\_t3\\_B083DCMG14?th=1](https://www.amazon.com/Lantern-Lights-Hanging-Outdoor-Courtyard/dp/B07CTDLLFT/ref=psdc_495224_t3_B083DCMG14?th=1) (Year: 2018).\*

\* cited by examiner

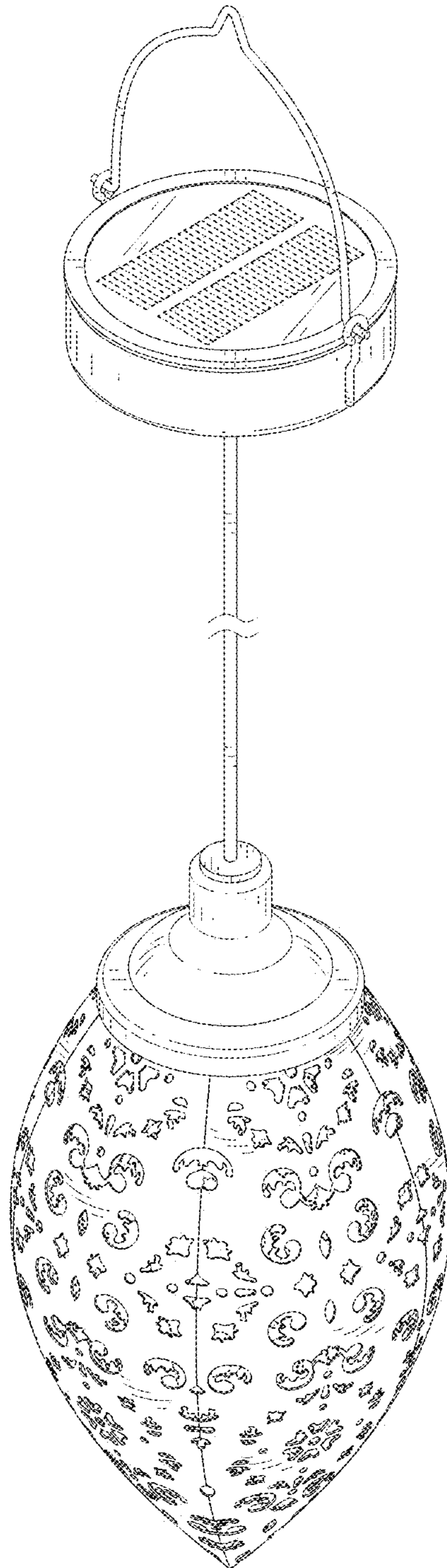


FIG. 1

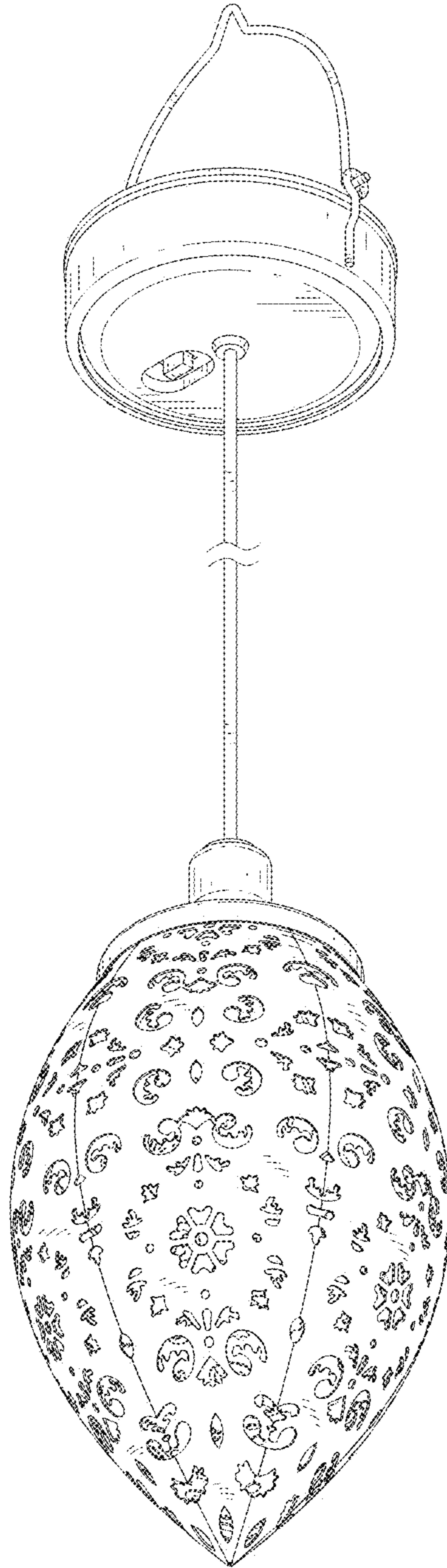


FIG. 2

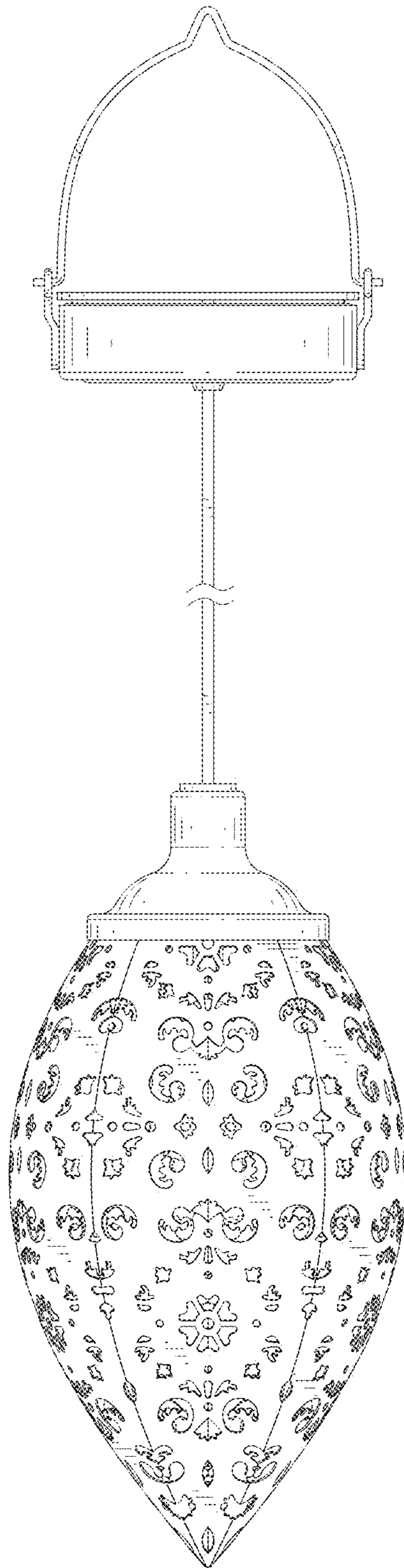


FIG. 3

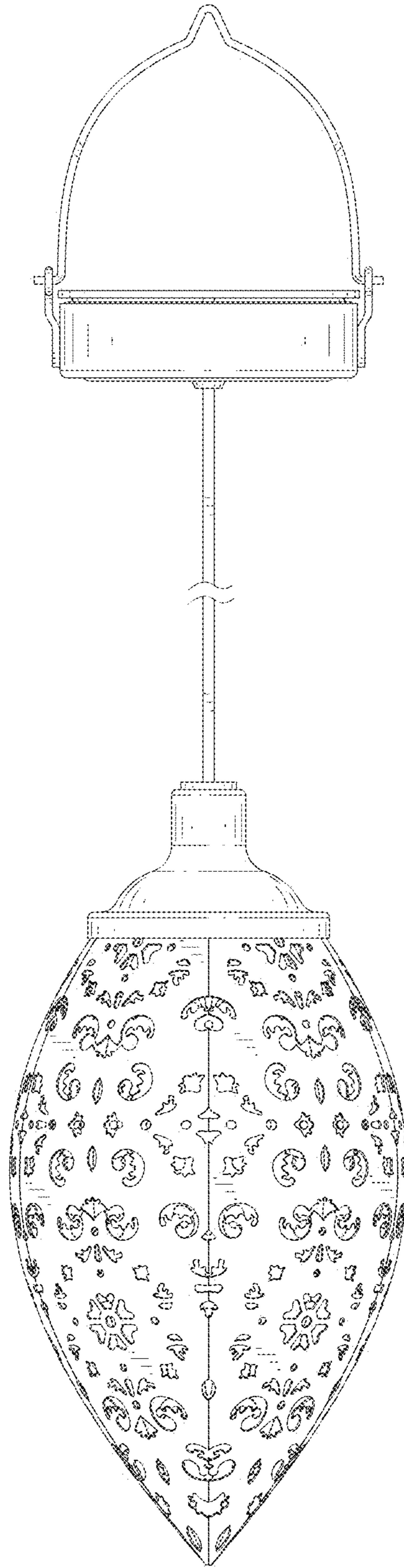


FIG. 4

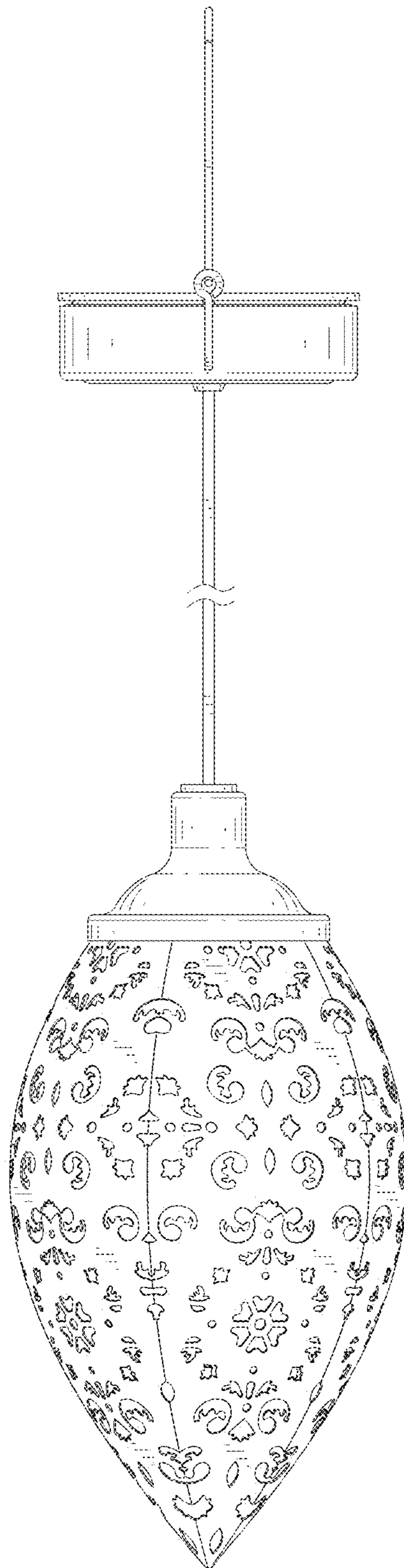


FIG. 5

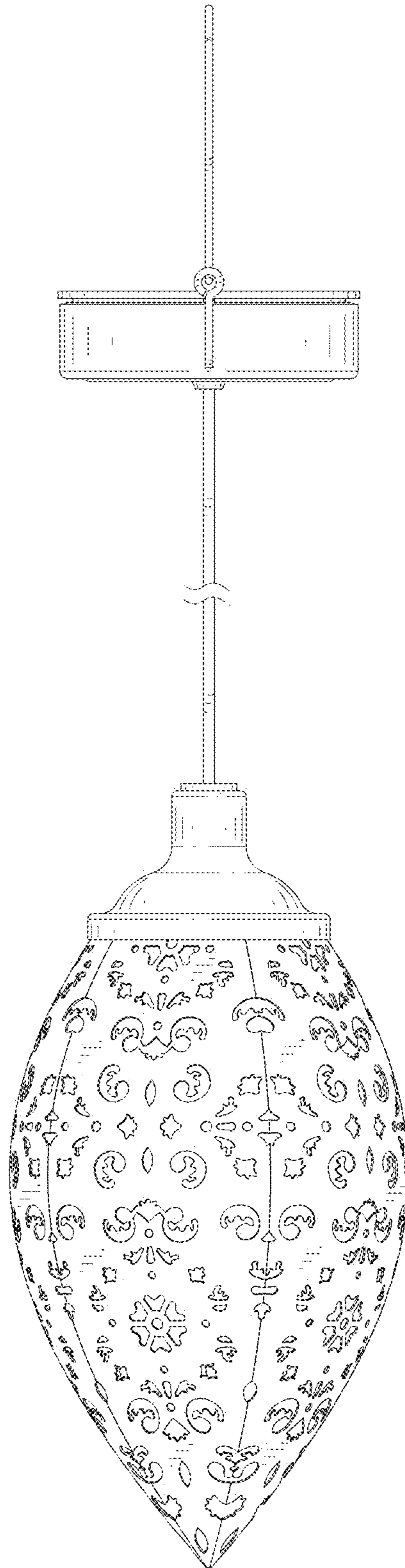


FIG. 6



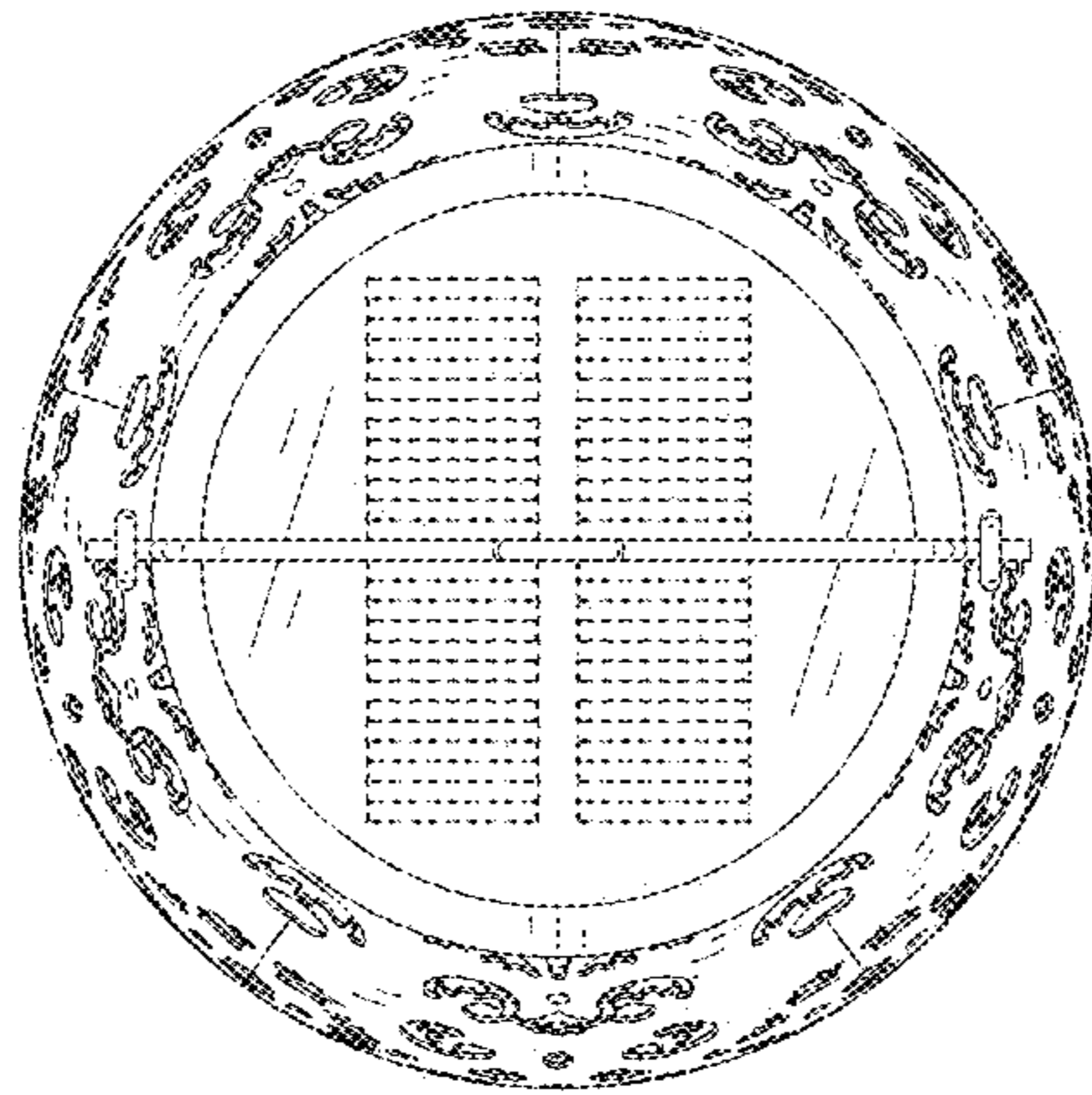


FIG. 7

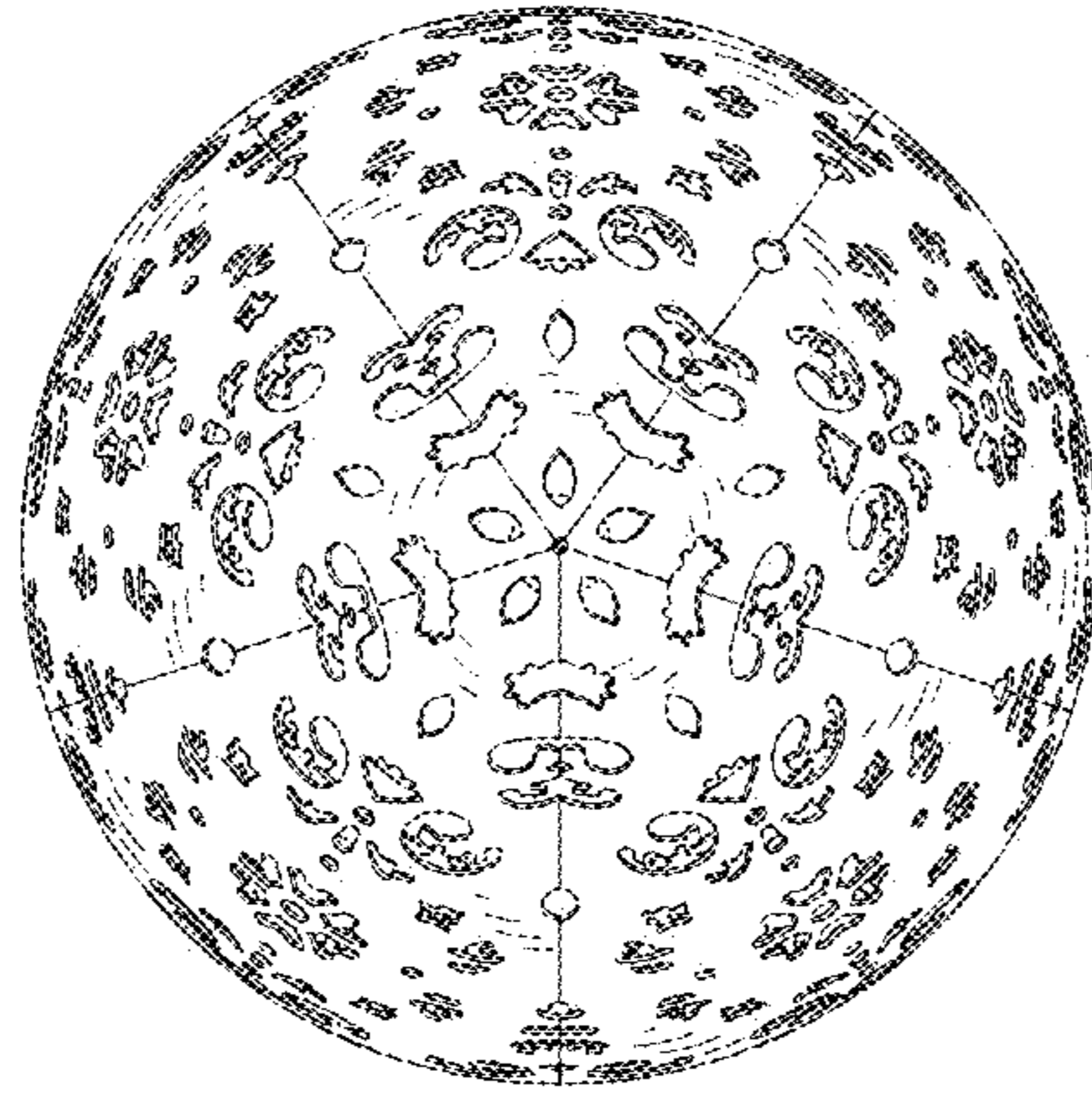


FIG. 8