



US00D988568S

(12) **United States Design Patent**  
**Wu**

(10) **Patent No.:** **US D988,568 S**  
(45) **Date of Patent:** **\*\* Jun. 6, 2023**

(54) **SOLAR WALL LIGHT**  
(71) Applicant: **Guangzhou Aolantuo Electronic Technology Co., Ltd., Guangzhou (CN)**  
(72) Inventor: **Xiangbin Wu, Guangzhou (CN)**  
(\* ) Notice: Patent file contains an affidavit/declaration under 37 CFR 1.130(b).  
(\*\*) Term: **15 Years**

(21) Appl. No.: **29/834,471**  
(22) Filed: **Apr. 12, 2022**  
(51) **LOC (14) Cl.** ..... **26-05**  
(52) **U.S. Cl.**  
USPC ..... **D26/85**  
(58) **Field of Classification Search**  
USPC ..... D26/67, 72, 85-90, 92  
CPC .... F21S 8/03; F21S 8/033; F21S 8/036; F21S 9/03; F21S 9/037; F21W 2131/107; F21W 2131/109; F21W 2111/027  
See application file for complete search history.

(56) **References Cited**  
U.S. PATENT DOCUMENTS

- 4,027,151 A \* 5/1977 Barthel ..... F21V 7/09  
362/217.02
- D272,193 S \* 1/1984 Sangiamo ..... D26/85
- D279,871 S \* 7/1985 Guscott ..... D10/106.6
- D380,853 S \* 7/1997 Johnson ..... D26/128
- D553,789 S \* 10/2007 Akinrele ..... D26/118
- D612,975 S \* 3/2010 Guercio ..... D26/85
- D626,270 S \* 10/2010 Waldmann ..... D26/85
- D627,916 S \* 11/2010 Butteris ..... D26/85
- D757,984 S \* 5/2016 Breedlove, Sr. .... D26/85
- D791,994 S \* 7/2017 Liu ..... D10/106.8
- D800,943 S \* 10/2017 Shundong ..... D26/85
- D803,456 S \* 11/2017 Yang ..... D26/85
- D806,306 S 12/2017 Yang
- D829,359 S \* 9/2018 Zhang ..... D26/85
- D833,055 S \* 11/2018 Deng ..... D26/85

- D837,437 S 1/2019 Liu
  - D842,526 S \* 3/2019 Zhuo ..... D26/85
  - D843,631 S \* 3/2019 Wen ..... D26/85
  - D864,459 S \* 10/2019 Pan ..... D26/85
  - D875,991 S 2/2020 Wan
  - D882,147 S 4/2020 He
  - D893,075 S \* 8/2020 Kong ..... D26/72
  - D893,080 S \* 8/2020 Zhang ..... D26/85
  - D928,383 S 8/2021 Ye
- (Continued)

FOREIGN PATENT DOCUMENTS

- CN 307012613 \* 12/2021
- CN 307182934 \* 3/2022

OTHER PUBLICATIONS

Bridika, Solar Fence Lights. First available Feb. 16, 2022. Searched on Jul. 14, 2022. [https://www.amazon.com/dp/B09J27VCCB/] (Year: 2022).\*

(Continued)

*Primary Examiner* — W. A. Teddy Falloway  
*Assistant Examiner* — Melissa Adriane Santos

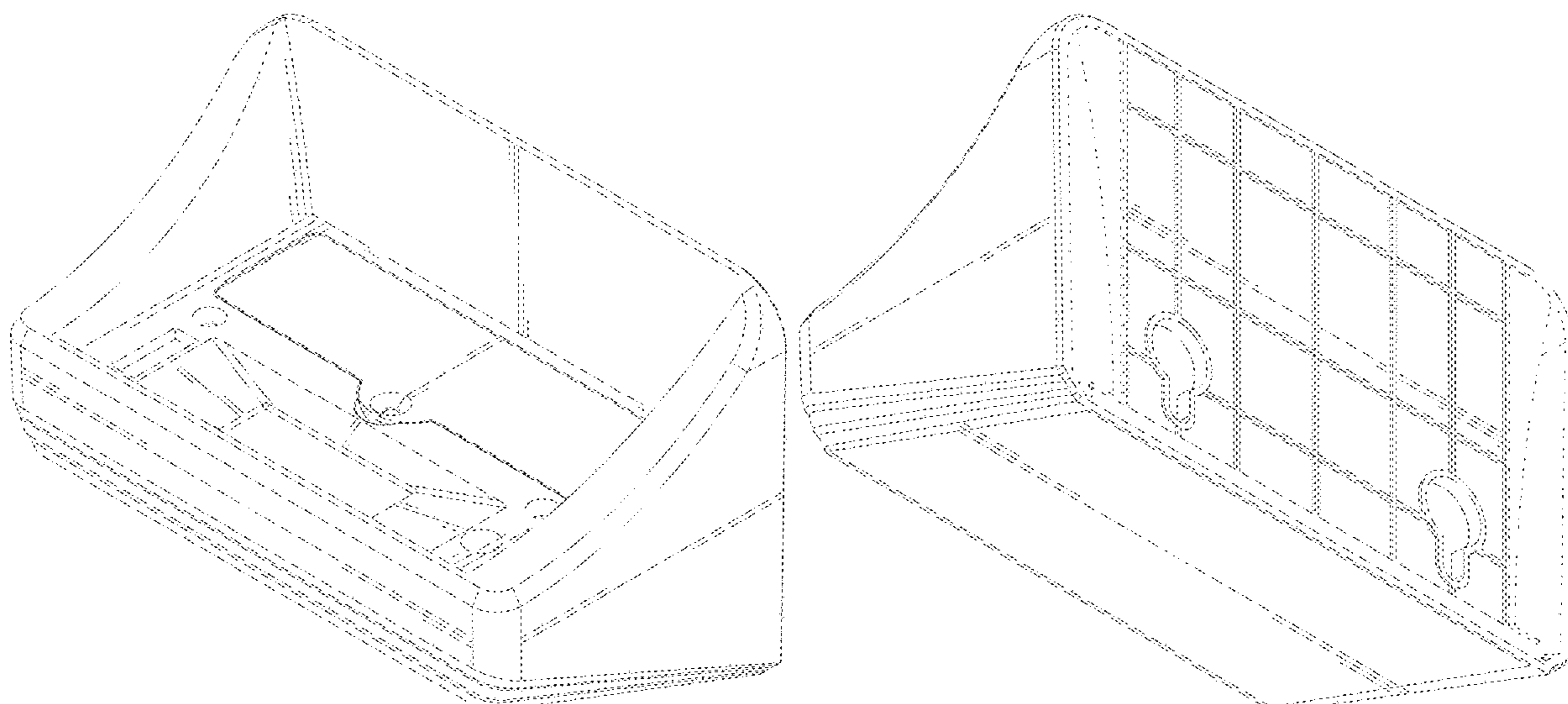
(57) **CLAIM**

The ornamental design for a solar wall light, as shown and described.

**DESCRIPTION**

FIG. 1 is a perspective view of a solar wall light, showing my new design;  
FIG. 2 is another perspective view thereof;  
FIG. 3 is a front elevational view thereof;  
FIG. 4 is a rear elevational view thereof;  
FIG. 5 is a left elevational view thereof;  
FIG. 6 is a right elevational view thereof;  
FIG. 7 is a top plan view thereof; and,  
FIG. 8 is a bottom plan view thereof.

**1 Claim, 8 Drawing Sheets**



(56)

**References Cited**

U.S. PATENT DOCUMENTS

D938,638 S	12/2021	Chen	
D939,753 S *	12/2021	Chen	D16/203
D940,372 S *	1/2022	Loew	D26/85
D962,156 S *	8/2022	Zhu	D13/102
D962,518 S *	8/2022	Zeng	D26/85
D969,381 S *	11/2022	Loew	D26/85
D976,469 S *	1/2023	Liu	D26/85
D976,470 S *	1/2023	Pan	D26/85

OTHER PUBLICATIONS

Aulanto, Solar Fence Lights. First available Oct. 9, 2021. Searched on Jul. 14, 2022. [<https://www.amazon.com/Aulanto-Lights-Waterproof-Outdoor-Outside/dp/B09J2FCD91/>] (Year: 2021).\*

\* cited by examiner

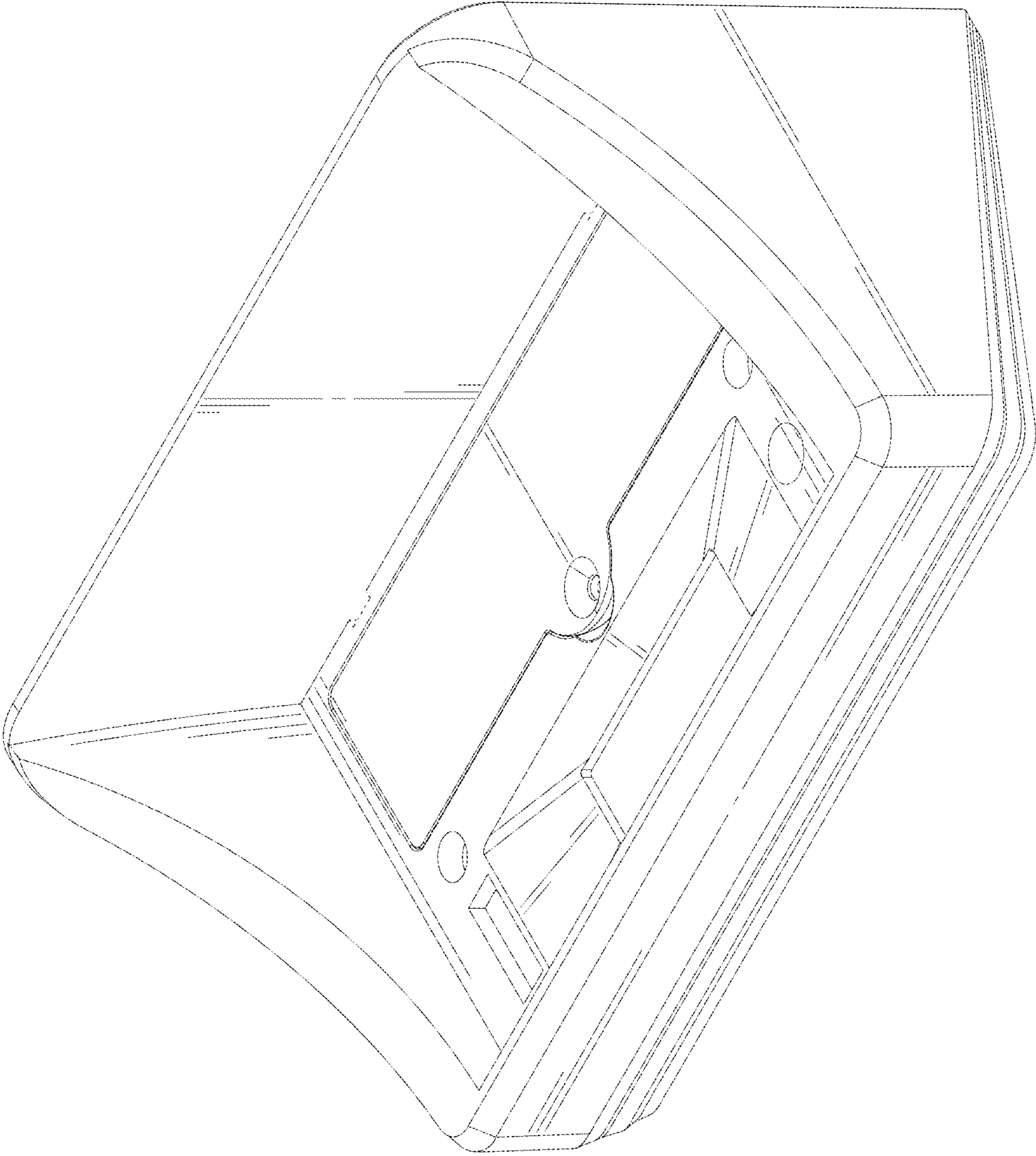


FIG.1

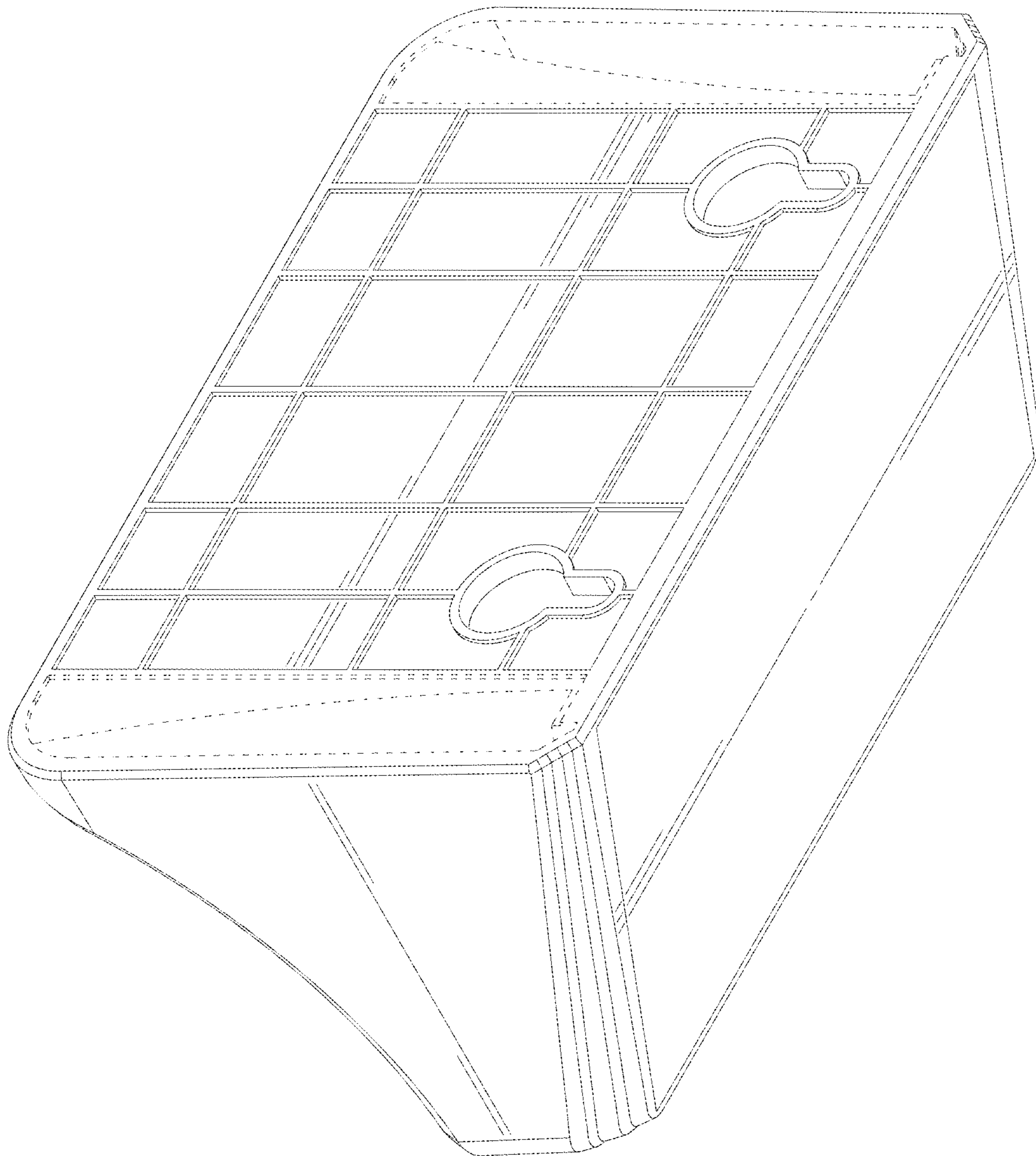


FIG. 2

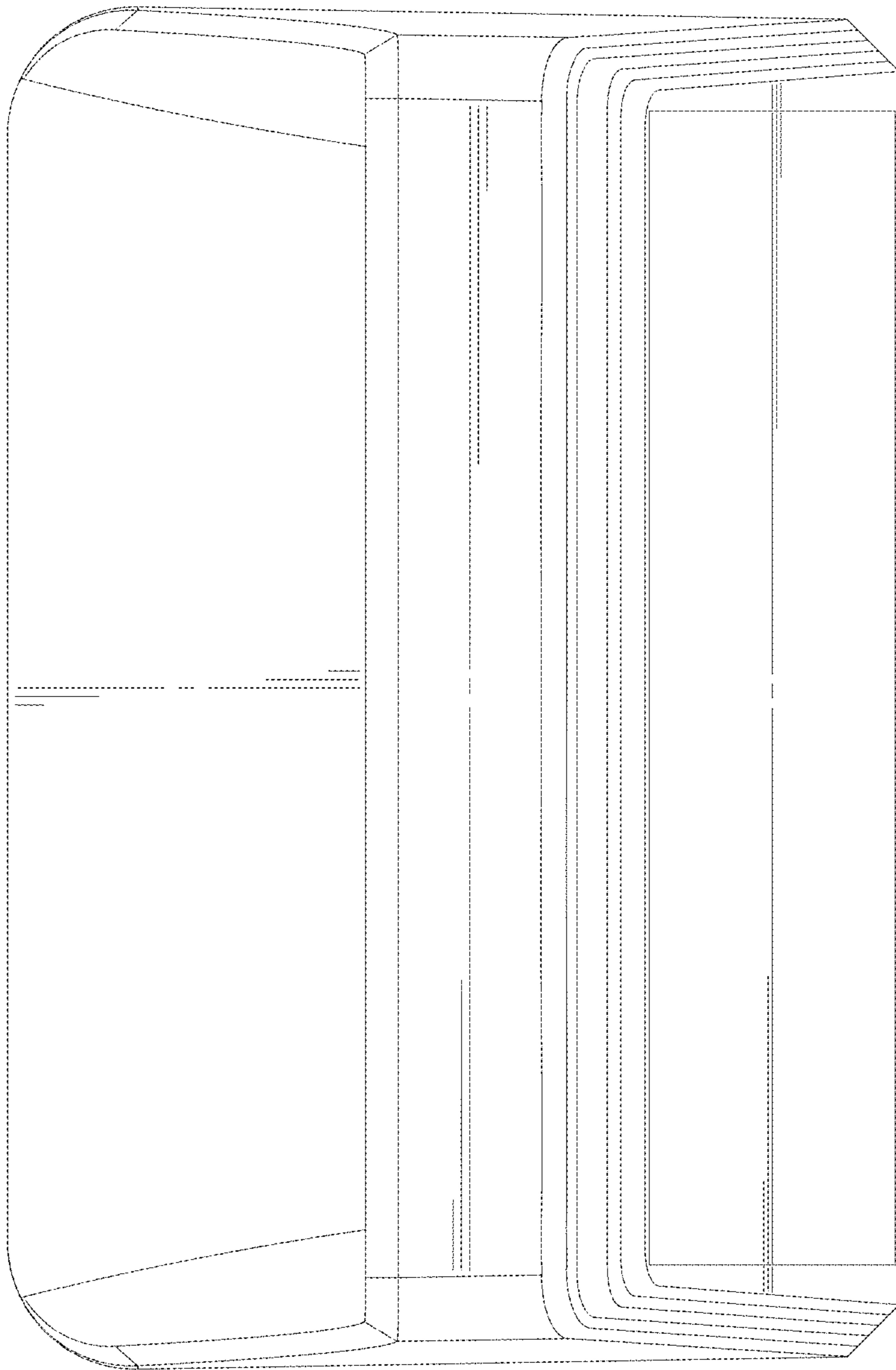


FIG. 3

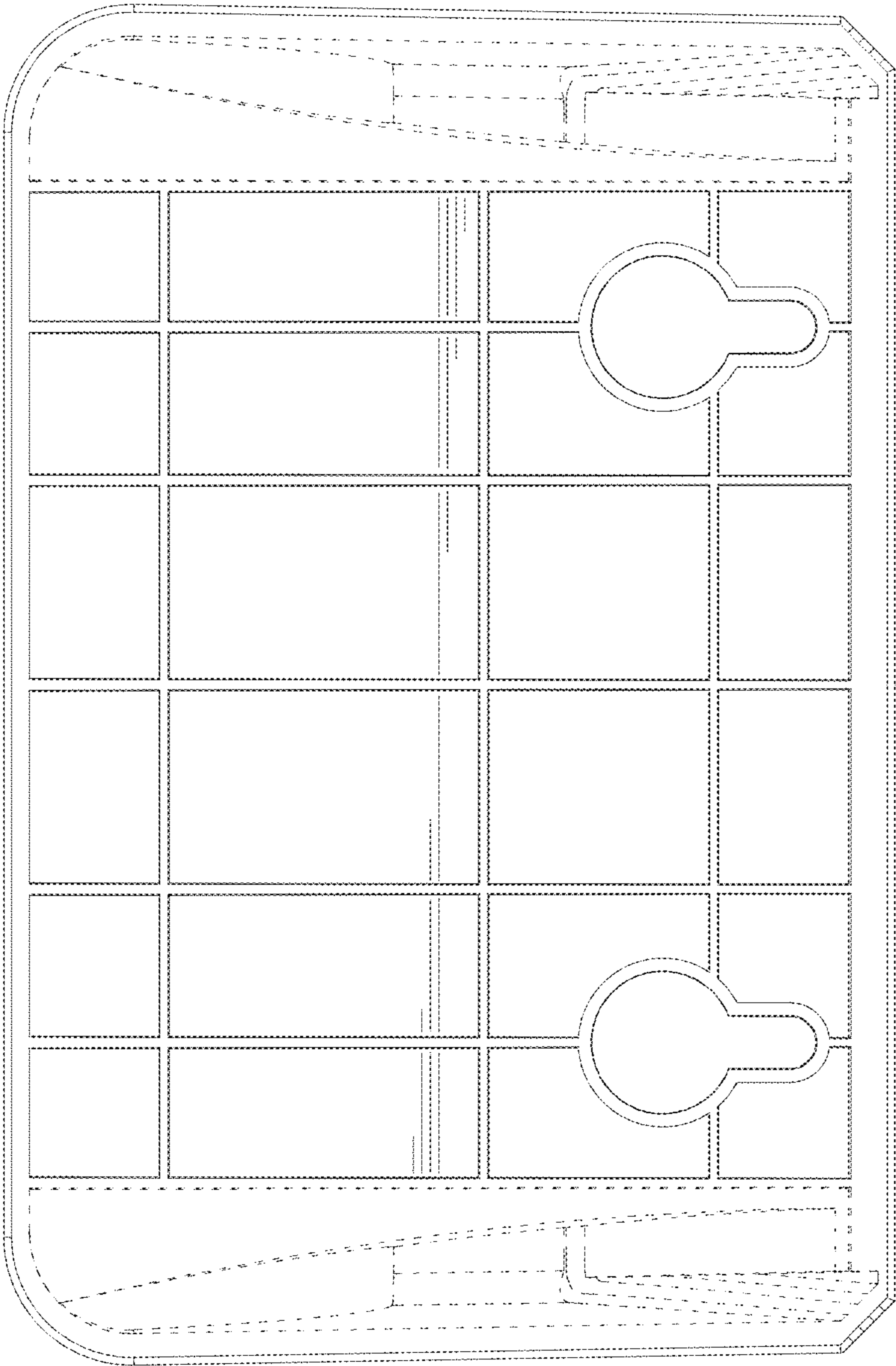


FIG. 4

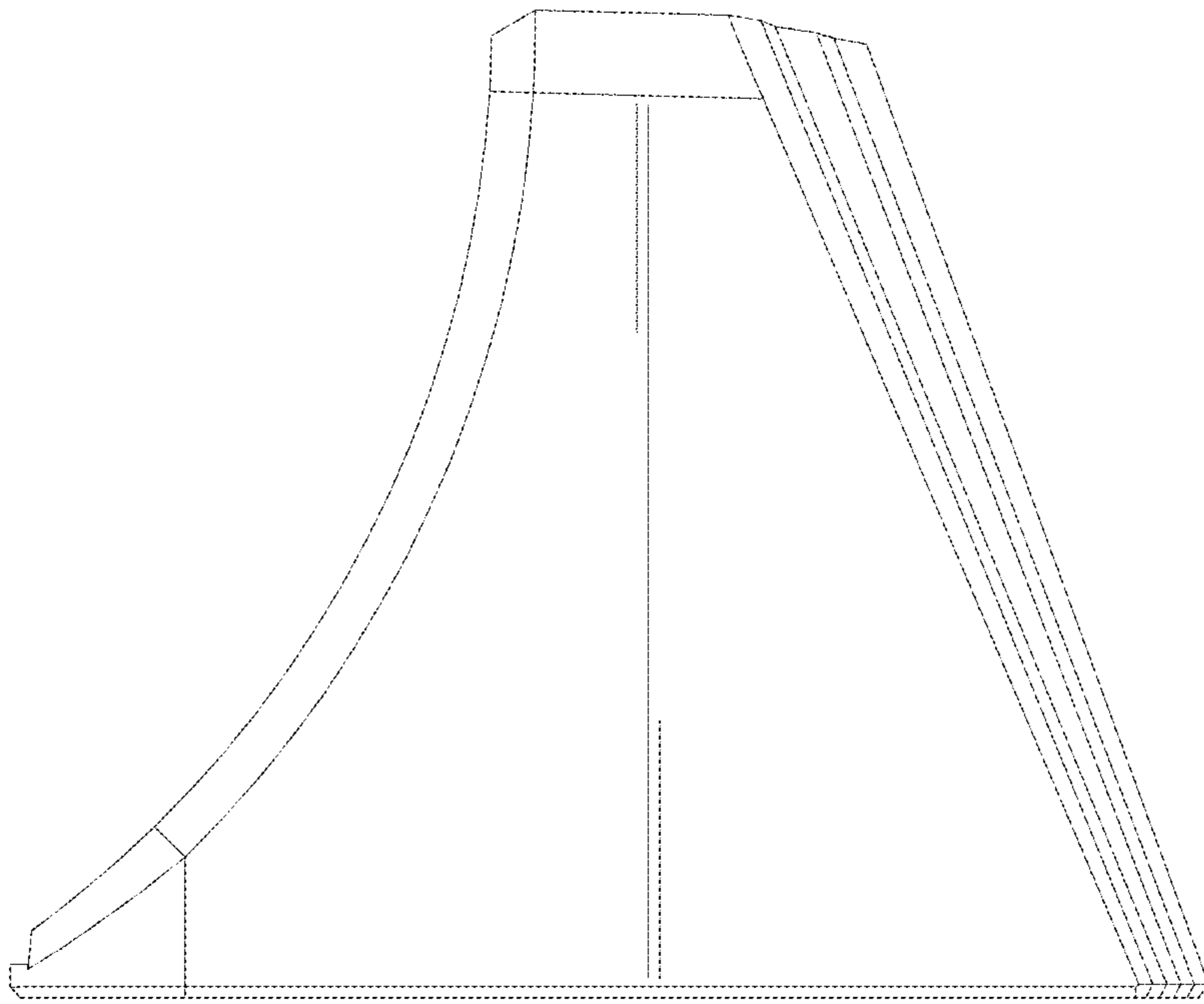


FIG. 5

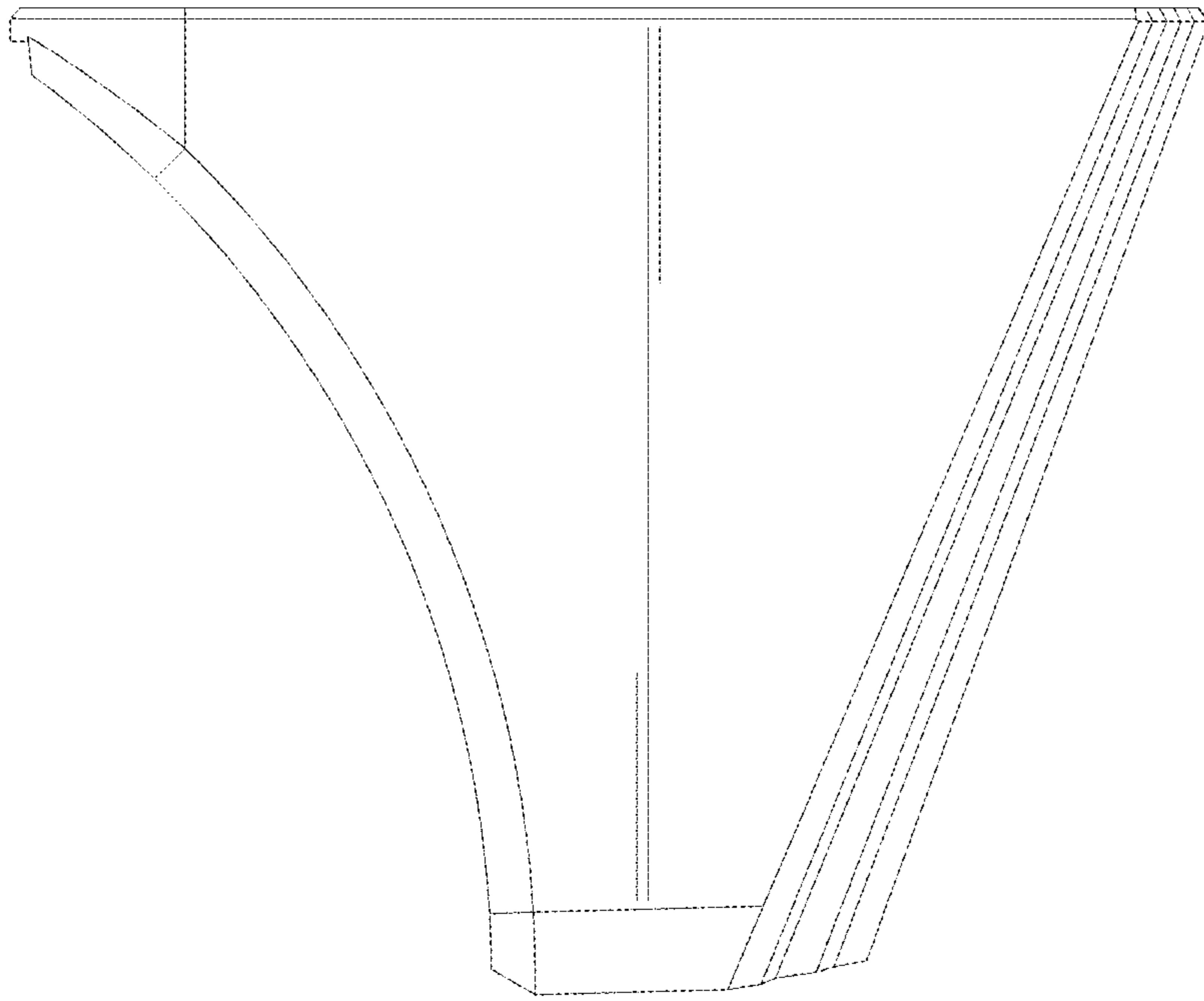


FIG. 6



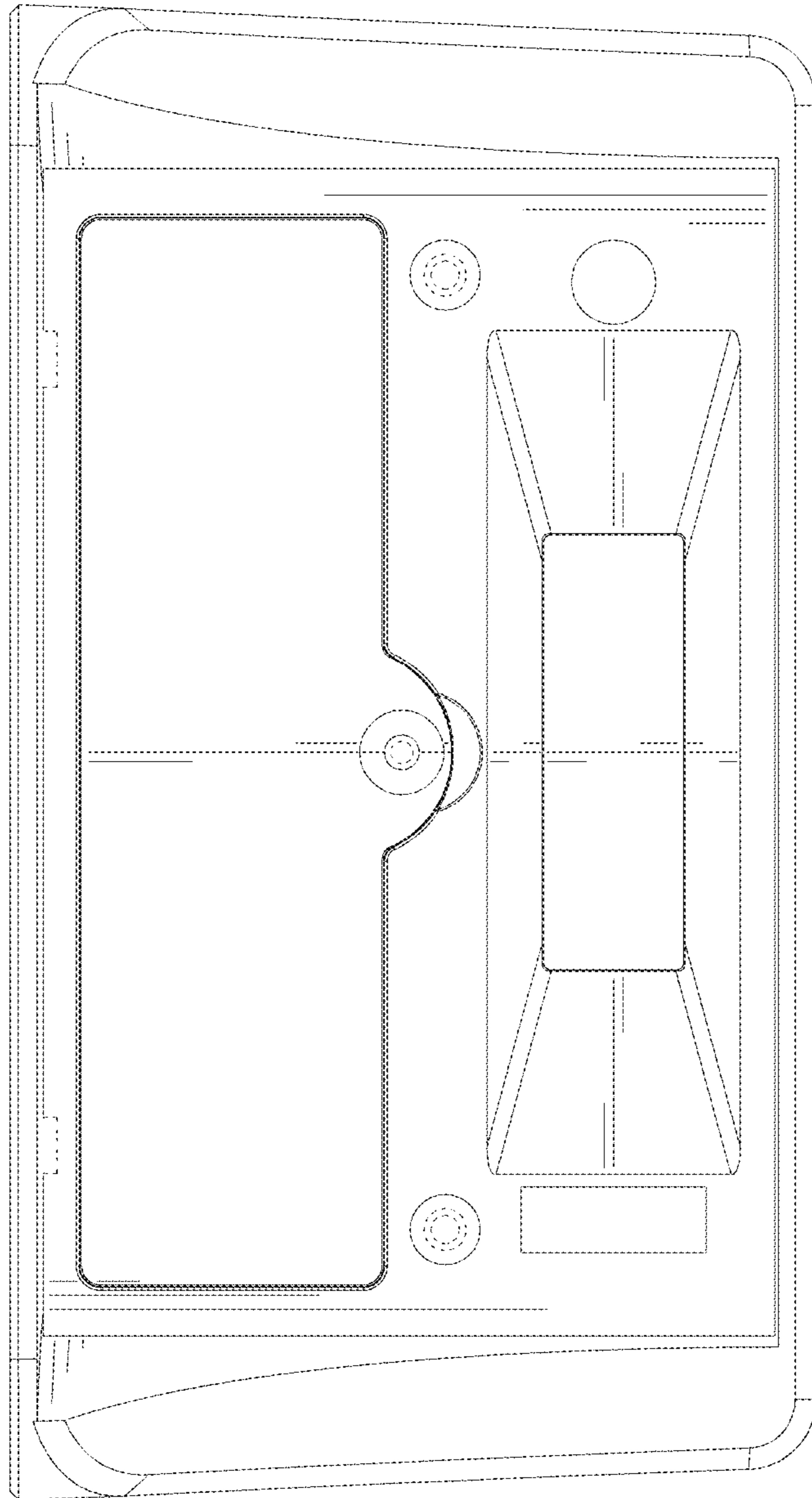


FIG.7

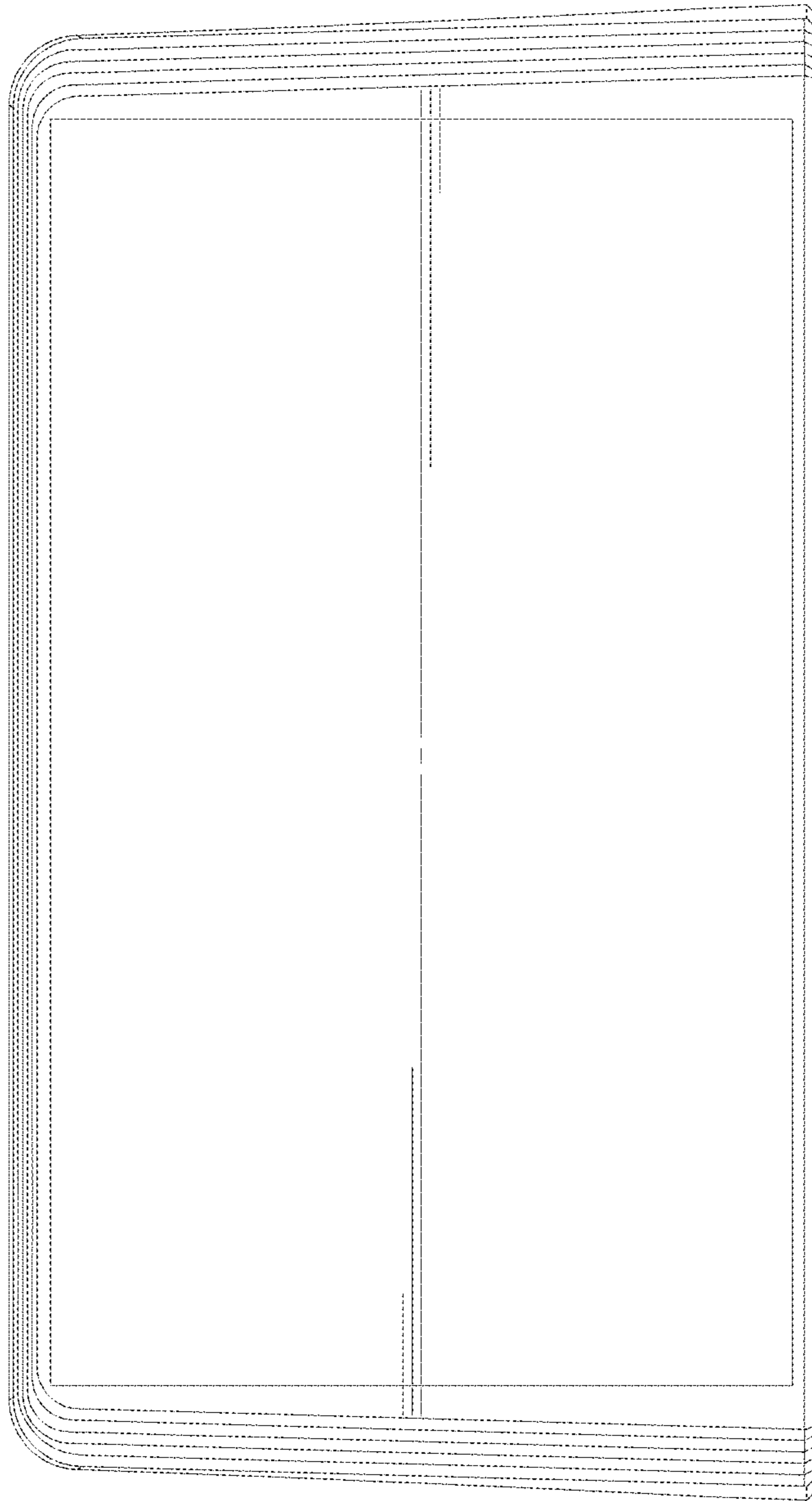


FIG. 8