



US00D988567S

(12) **United States Design Patent** (10) **Patent No.:** **US D988,567 S**
Song (45) **Date of Patent:** **** Jun. 6, 2023**

(54) **PLANT LAMP**

(71) Applicant: **SHENZHEN XINYIGUANG OPTOELECTRONIC CO., LTD,**
Shenzhen (CN)

(72) Inventor: **Yanqiong Song,** Shenzhen (CN)

(73) Assignee: **Shenzhen Xinyiguang Optoelectronic Co., Ltd,** Shenzhen (CN)

(**) Term: **15 Years**

(21) Appl. No.: **29/805,861**

(22) Filed: **Aug. 31, 2021**

(51) **LOC (14) Cl.** **26-04**

(52) **U.S. Cl.**
USPC **D26/76; D26/63; D26/64**

(58) **Field of Classification Search**
USPC D26/24, 63, 74, 76–78, 80–86, 88, 91,
D26/113, 118, 120
CPC F21V 17/00; F21V 29/503; F21V 15/01;
F21S 8/04; F21Y 2103/00; A01G 7/045;
A01G 9/249
See application file for complete search history.

(56) **References Cited**

U.S. PATENT DOCUMENTS

D659,867 S	*	5/2012	Zhan	D26/37
D666,345 S	*	8/2012	Wang	D26/92
D693,507 S	*	11/2013	Fletcher	D26/63
D740,985 S	*	10/2015	Dooley	D26/37
D858,846 S	*	9/2019	Flügel	D26/63
D925,106 S	*	7/2021	Xu	D26/118
D928,388 S	*	8/2021	Xu	D26/118
D934,482 S	*	10/2021	Huang	D26/80
D953,592 S	*	5/2022	Wang	D26/60
D956,308 S	*	6/2022	Yang	D26/64

OTHER PUBLICATIONS

LED Grow Light PhytoLamp For Phyto Plants, available in joom.com, customer review oldest date May 23, 2021 [online], [site

visited Feb. 16, 2023], Available from the internet URL: <https://www.joom.com/en/products/5fa25d7d54cfe401067db1e3> (Year: 2021).*
Juhefa LED Grow Lights, available in Amazon.com, date first available Jul. 12, 2018 [online], [site visited Feb. 16, 2023], Available from the internet URL: https://www.amazon.com/Lights-Spectrum-Indoor-Succulents-Seedling/dp/B07FKF6BT4/ref=psdc_14252941_t2_B09BYMF469?th=1 (Year: 2018).*
Grow Lights Full Spectrum Light, available in dhgate.com, customer review oldest date Mar. 16, 2021 [online], [site visited Feb. 16, 2023], Available from the internet URL: <https://www.dhgate.com/product/led-grow-lights-full-spectrum-floodlight/631458924.html> (Year: 2021).*
50W LED Flood Light, announced in YouTube on Feb. 1, 2018 [online], [site visited Feb. 16, 2023], Available from the internet URL: <https://www.youtube.com/watch?v=bcdtAPKX7Yk> (Year: 2018).*

* cited by examiner

Primary Examiner — Jennifer L Rempfer
Assistant Examiner — Jasmine L. Comedy
(74) *Attorney, Agent, or Firm* — Nitin Kaushik

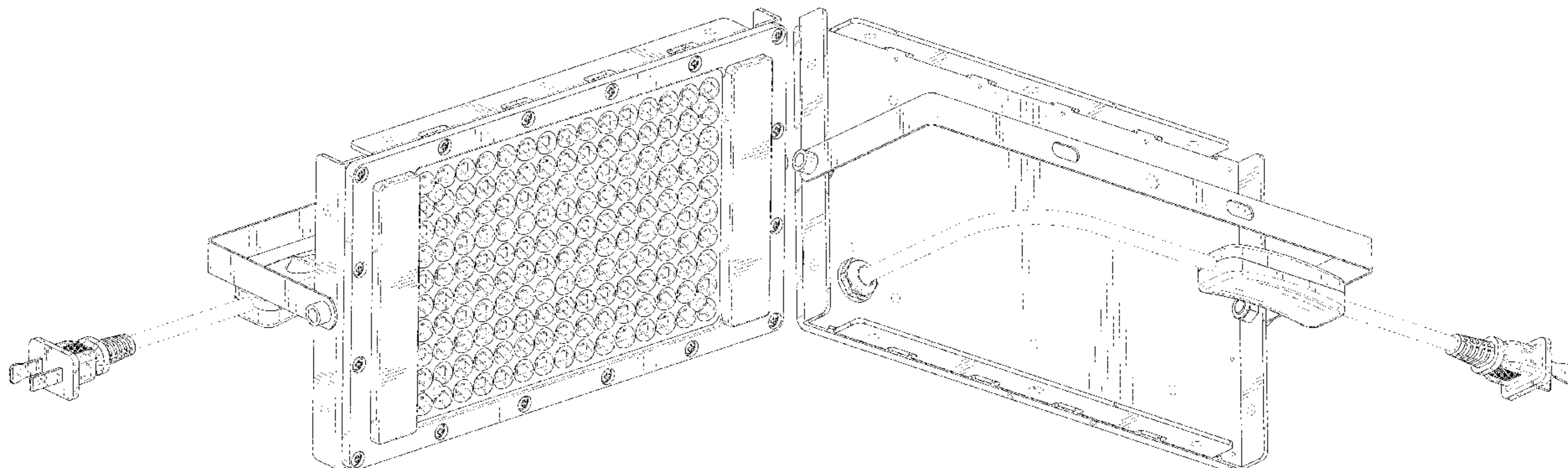
(57) **CLAIM**

The ornamental design for a plant lamp, as shown and described.

DESCRIPTION

FIG. 1 is a perspective view of a plant lamp showing my new design;
FIG. 2 is another perspective view thereof;
FIG. 3 is a front elevational view thereof;
FIG. 4 is a rear elevational view thereof;
FIG. 5 is a left side elevational view thereof;
FIG. 6 is a right side elevational view thereof;
FIG. 7 is a top plan view thereof; and,
FIG. 8 is a bottom plan view thereof.
The broken lines in the drawings depict portions of the plant lamp that form no part of the claimed design.

1 Claim, 8 Drawing Sheets



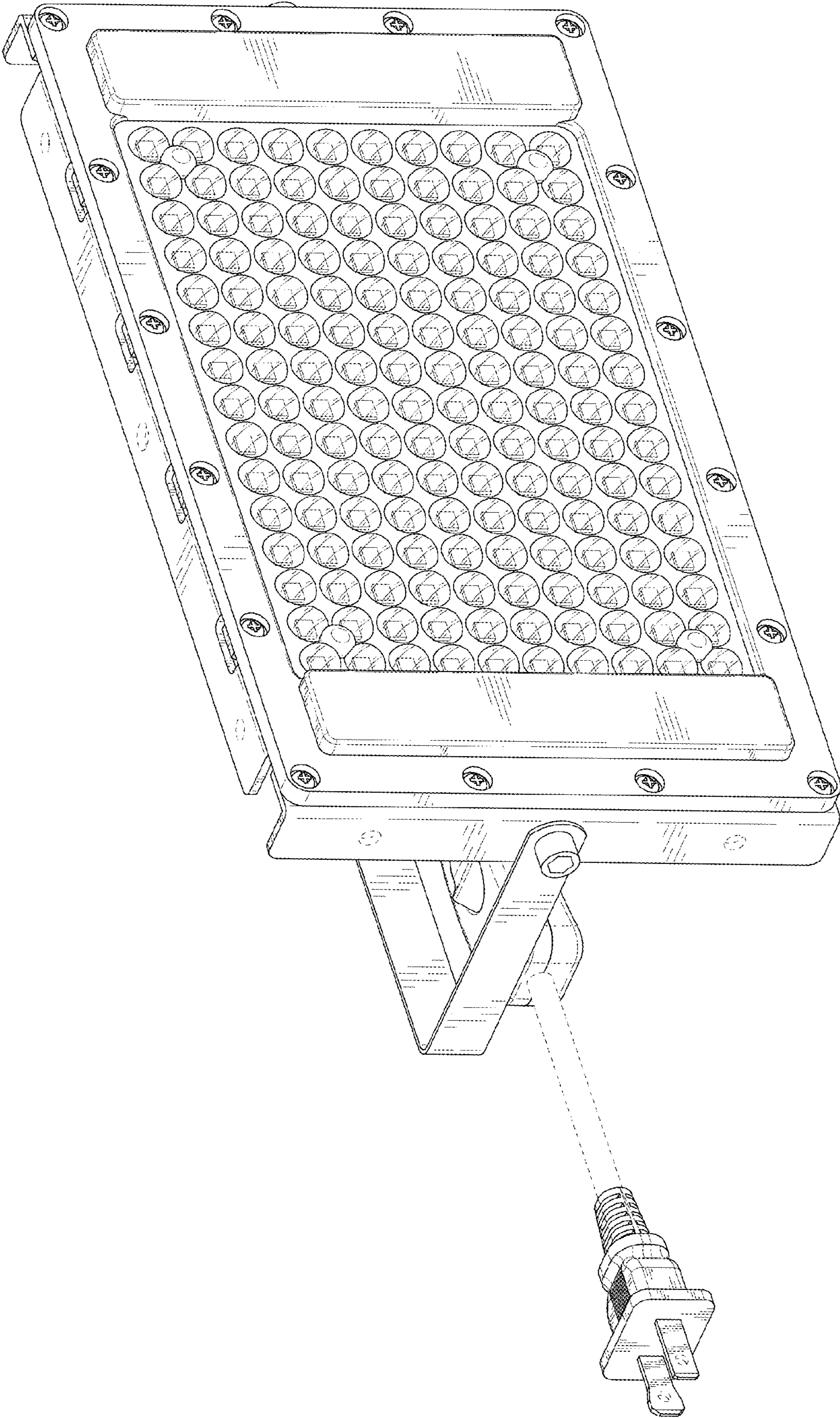


FIG. 1

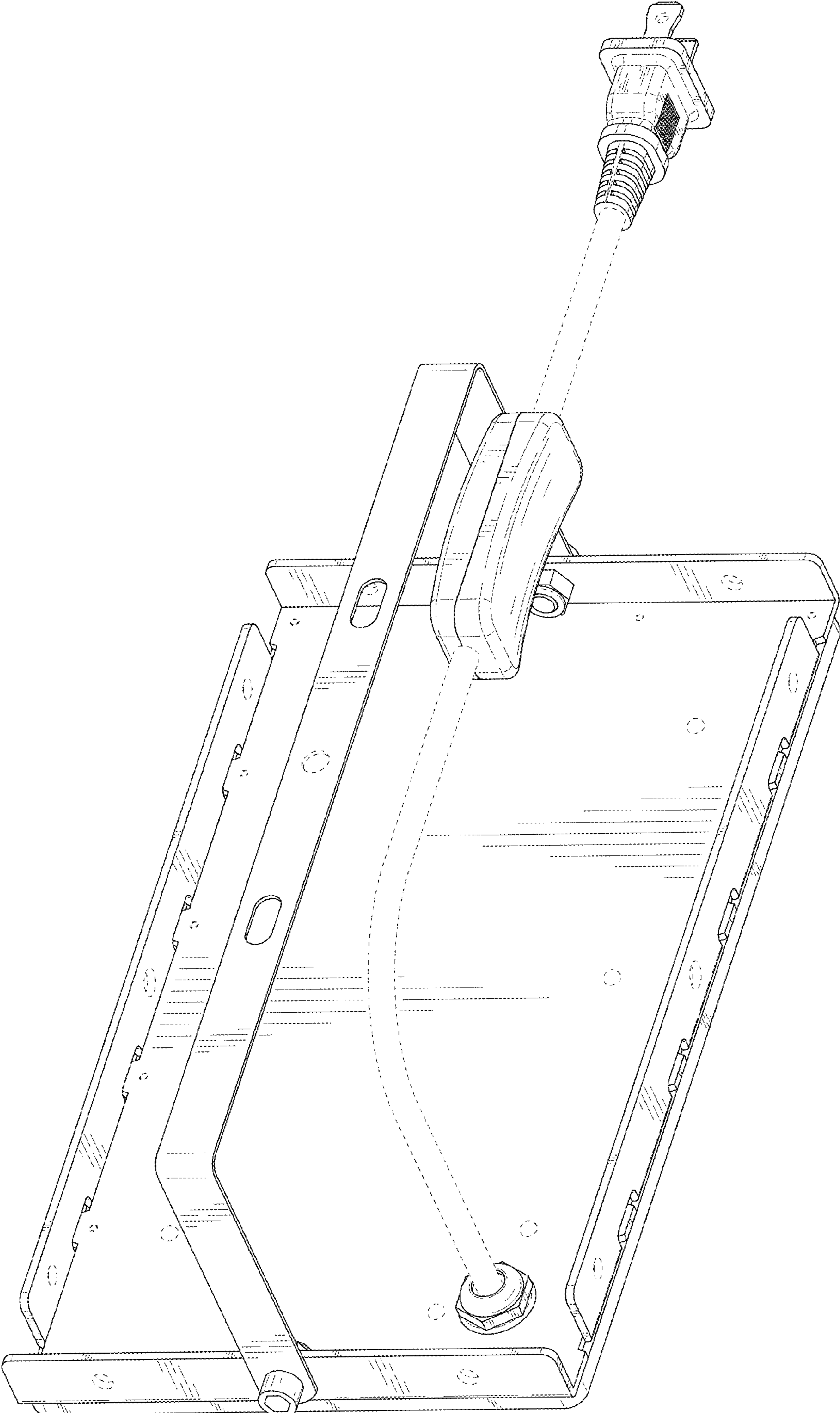


FIG. 2

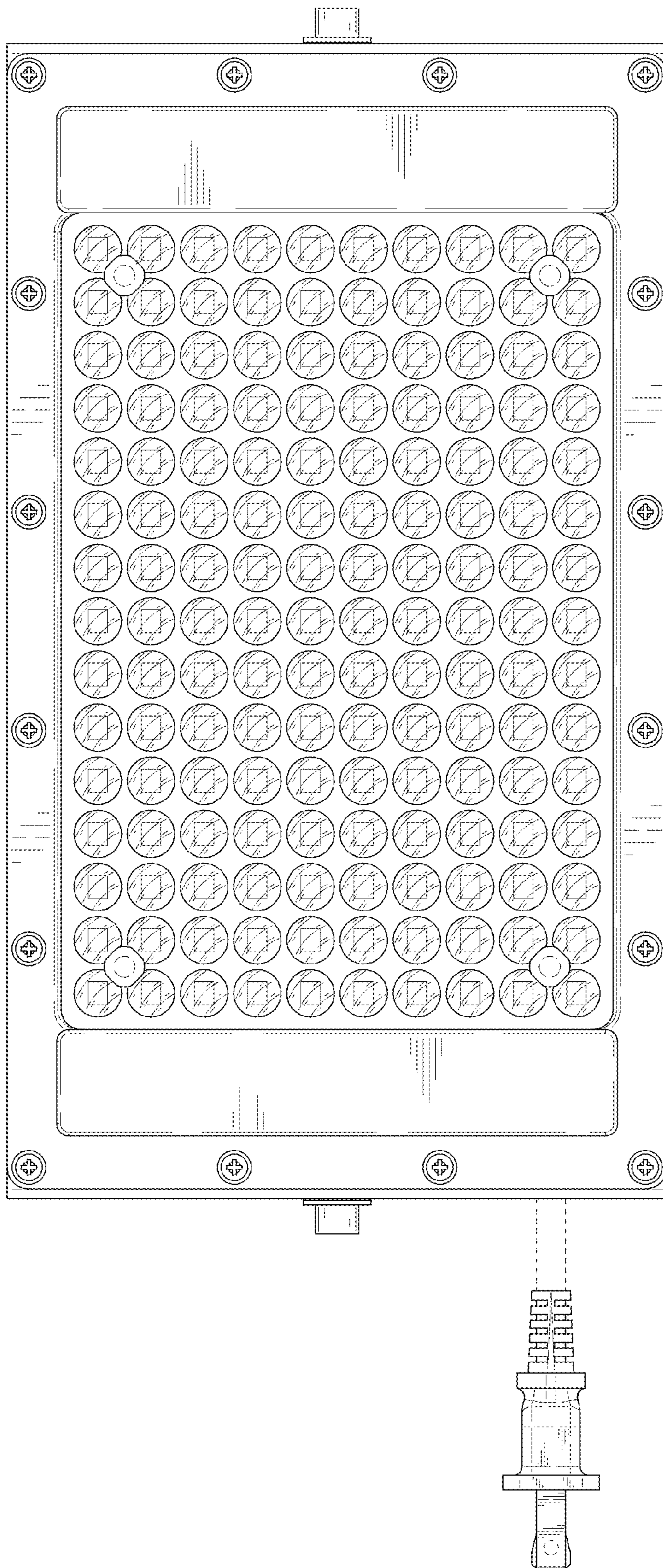


FIG. 3

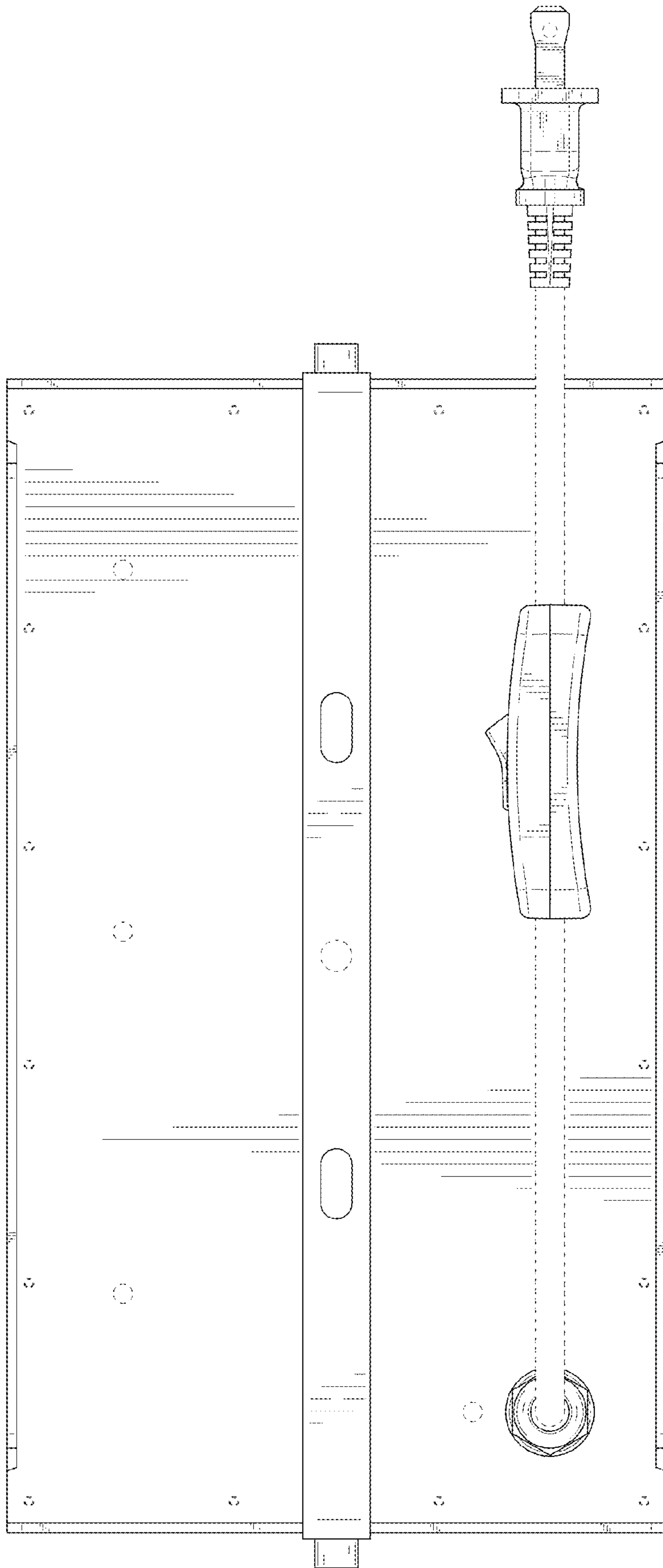


FIG. 4

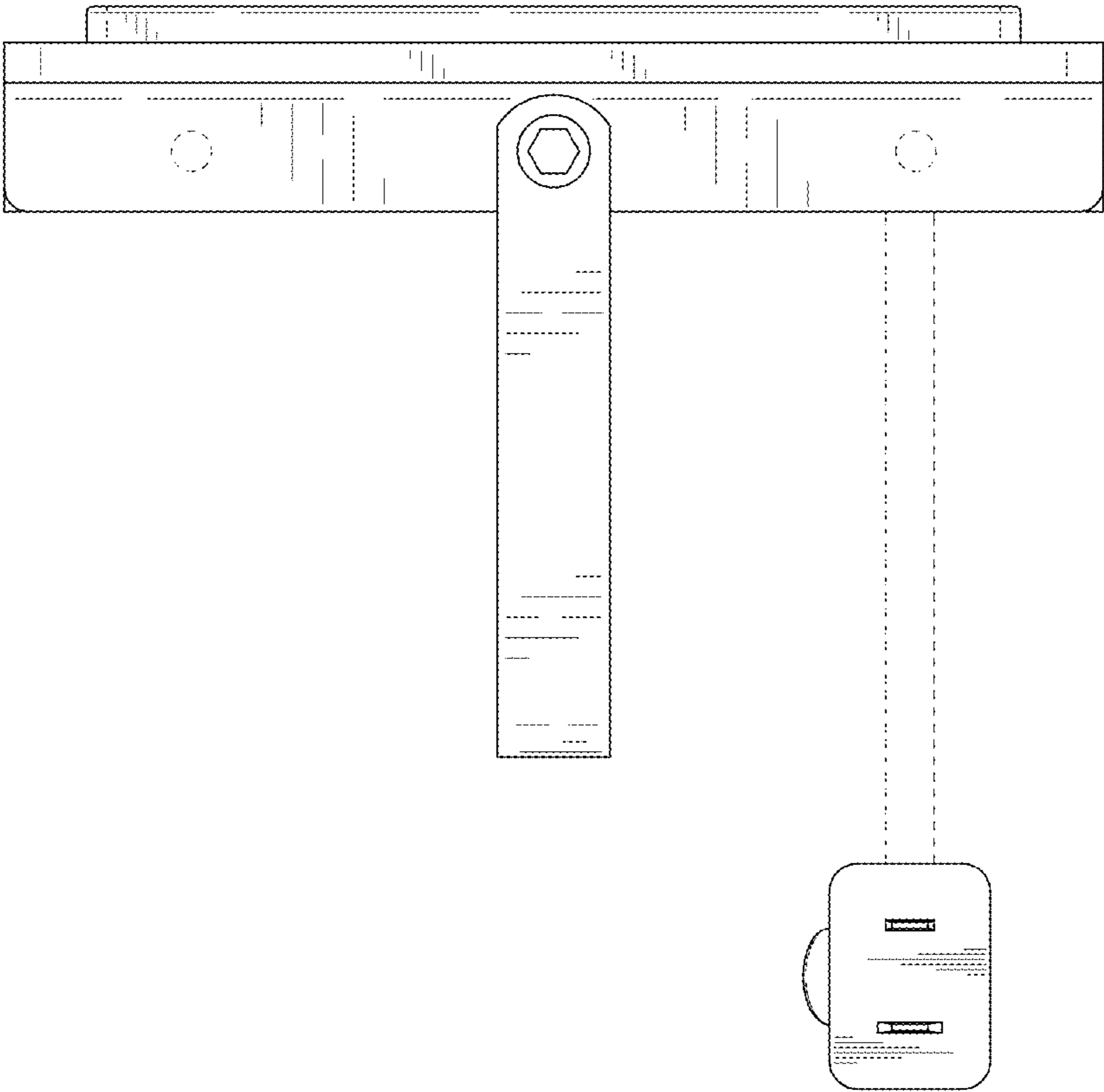


FIG. 5

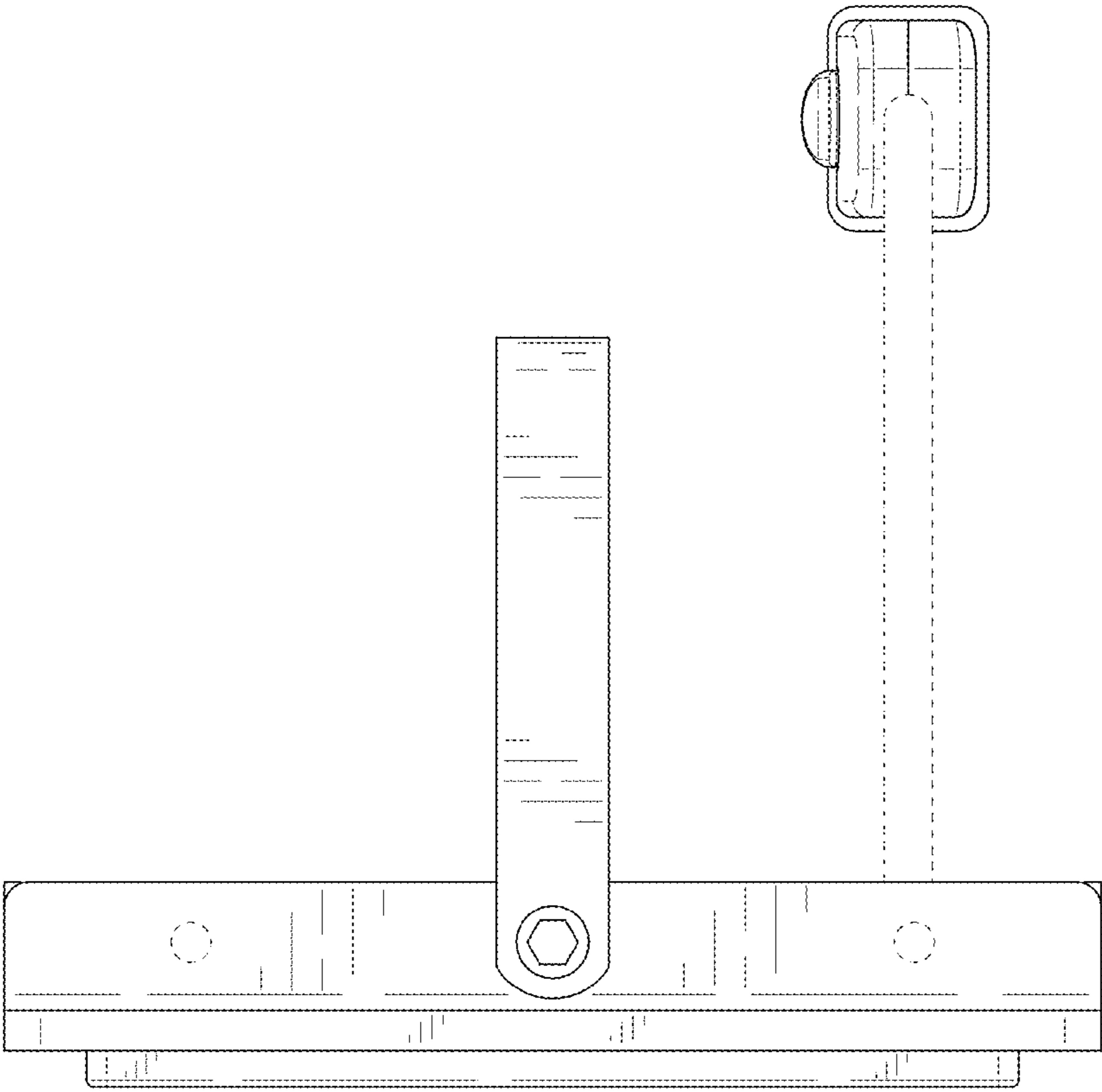


FIG. 6

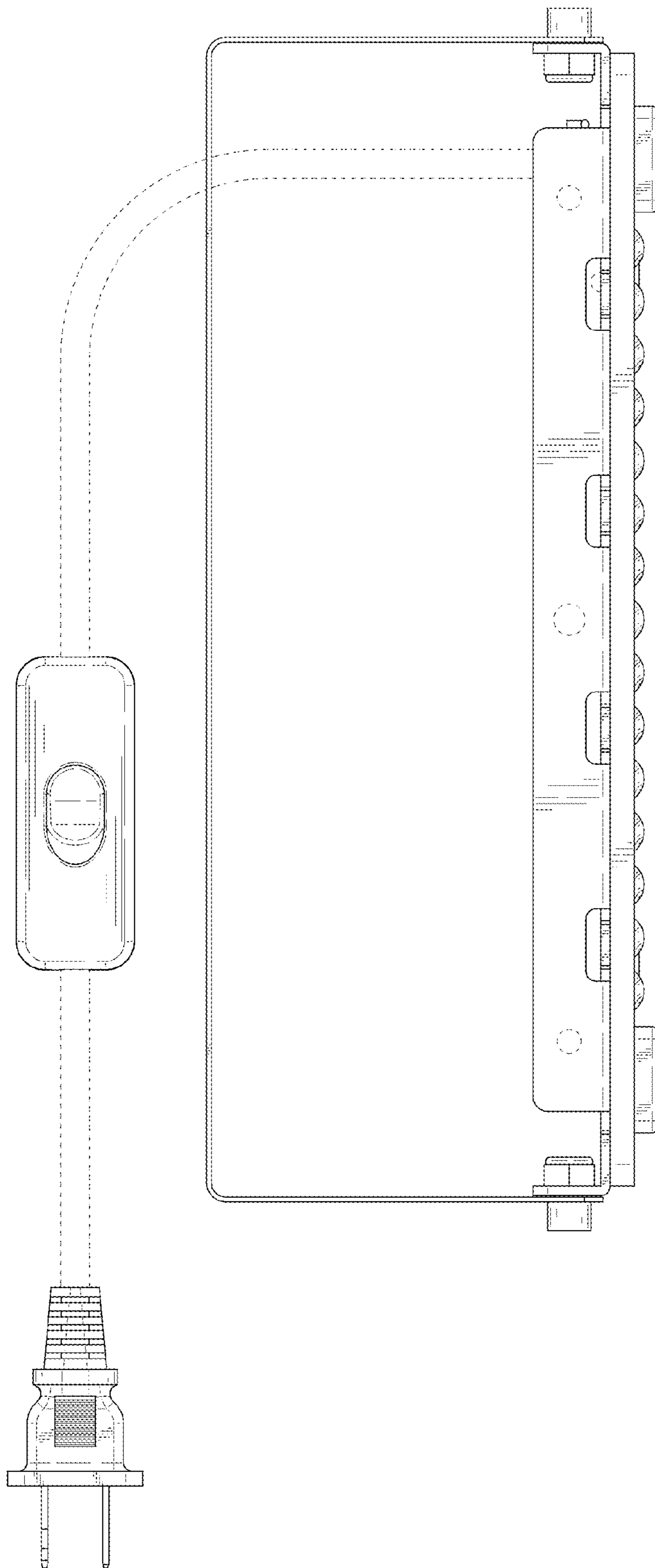


FIG. 7

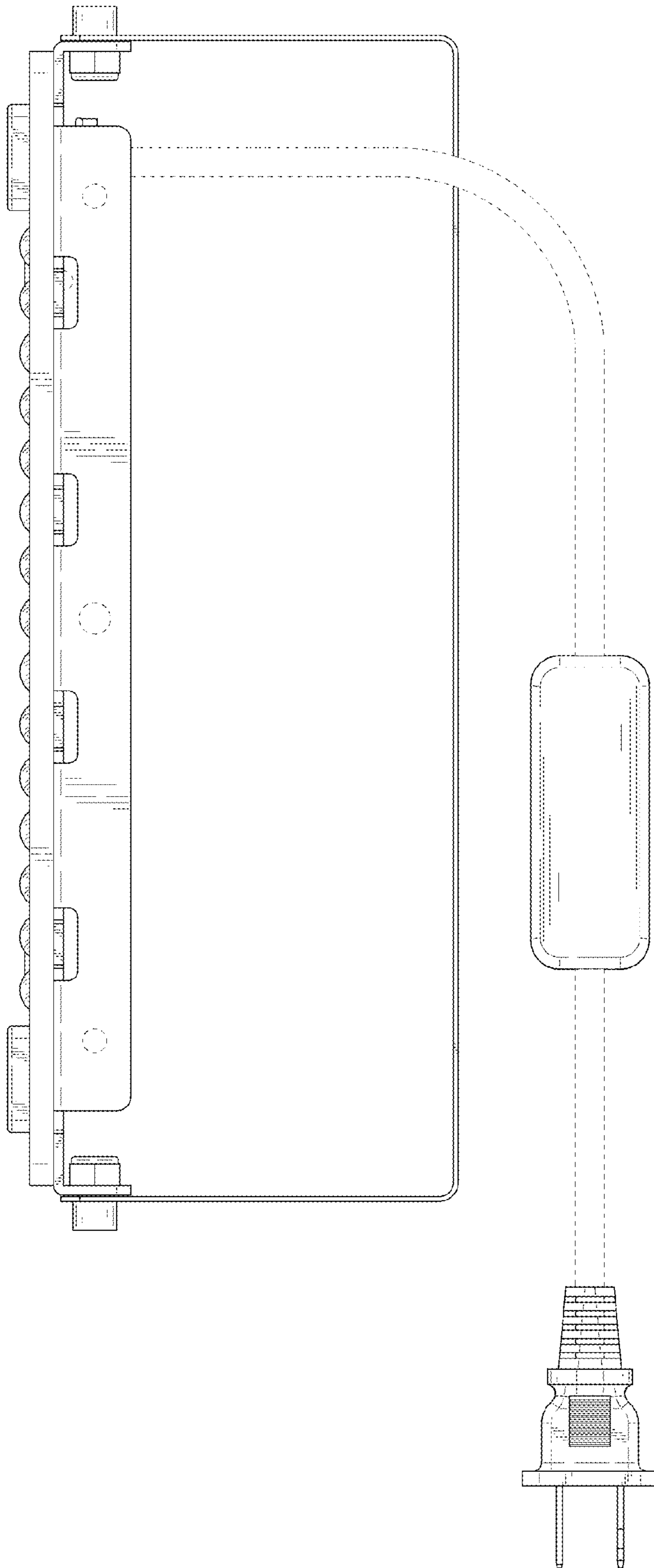


FIG. 8