



US00D988566S

(12) **United States Design Patent**
Zhong

(10) **Patent No.:** **US D988,566 S**
(45) **Date of Patent:** **** Jun. 6, 2023**

- (54) **LED GROW LIGHT**
- (71) Applicant: **Shenzhen Seven Rainbow Lighting Co., LTD**, Shenzhen (CN)
- (72) Inventor: **Dingzhi Zhong**, Shenzhen (CN)
- (73) Assignee: **SHENZHEN SEVEN RAINBOW LIGHTING CO., LTD**, Shenzhen (CN)
- (**) Term: **15 Years**
- (21) Appl. No.: **29/802,588**
- (22) Filed: **Aug. 6, 2021**
- (51) **LOC (14) Cl.** **26-04**
- (52) **U.S. Cl.**
USPC **D26/76**
- (58) **Field of Classification Search**
USPC D26/24, 74, 76, 77, 80-86, 88, 91, 113, D26/72, 118
CPC .. D03D 9/00; F21S 4/28; H05B 45/20; A01G 7/045; A01G 9/249
See application file for complete search history.

(56) **References Cited**

U.S. PATENT DOCUMENTS

D893,076 S *	8/2020	Liu	D26/76
D893,077 S *	8/2020	Liu	D26/76
D910,222 S *	2/2021	Zhang	D26/72
D934,488 S *	10/2021	Wang-Munson	D26/118
D951,514 S *	5/2022	Shen	D26/76

OTHER PUBLICATIONS

EnFun LED Grow Lights for Indoor Plants, available in Amazon.com, customer review oldest date Aug. 12, 2020 [online], [site visited Jan. 24, 2023], Available from the internet URL: <https://a.co/d/6nxVJzK> (Year: 2020).*

Viparspectra P1000 LED Grow Light, available in Amazon.com, date first available Jan. 6, 2020 [online], [site visited Jan. 24, 2023], Available from the internet URL: https://www.amazon.com/VIPARSPECTRA-Upgraded-Spectrum-Dimmable-Hydroponic/dp/B083JVXHF6?ref_ast_slp_dp (Year: 2020).*

* cited by examiner

Primary Examiner — Kathleen L Jones
Assistant Examiner — Jasmine L. Comedy

(57) **CLAIM**

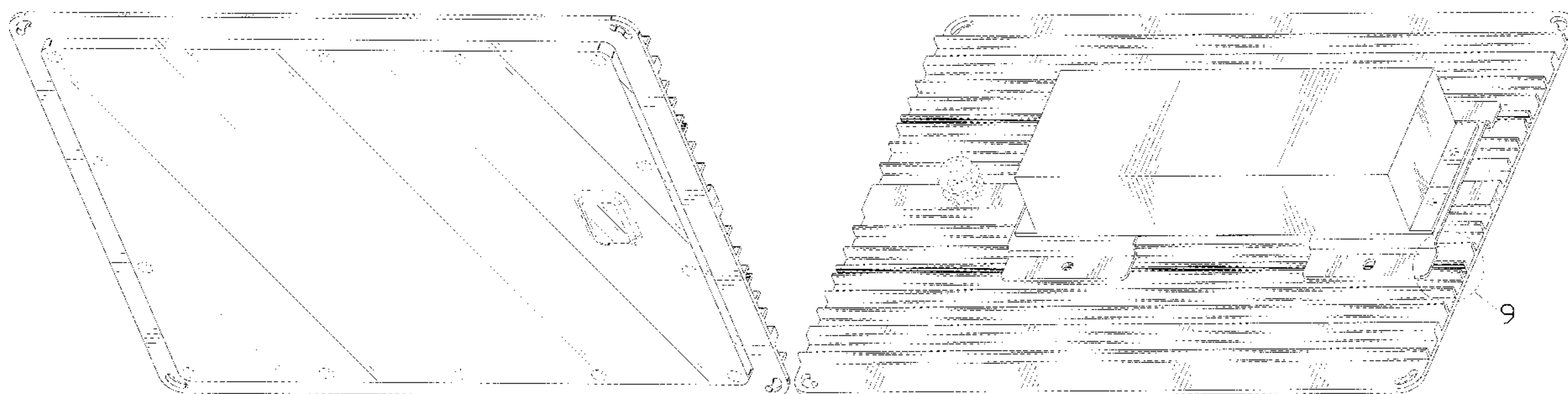
The ornamental design for a LED grow light, as shown and described.

DESCRIPTION

FIG. 1 is a perspective view of a LED grow light showing my new design;
FIG. 2 is another perspective view thereof;
FIG. 3 is a front elevational view thereof;
FIG. 4 is a rear elevational view thereof;
FIG. 5 is a left side elevational view thereof;
FIG. 6 is a right side elevational view thereof;
FIG. 7 is a top plan view thereof;
FIG. 8 is a bottom plan view thereof;
FIG. 9 is an enlarged view of the encircled portion 9 of FIG. 2; and,
FIG. 10 is an enlarged view of the encircled portion 10 of FIG. 4.

The evenly spaced broken lines in the drawings are for the purpose of illustrating portions of the LED grow light that form no part of the claimed design. The unevenly spaced broken lines delineate areas of the figures shown enlarged and form no part of the claim.

1 Claim, 10 Drawing Sheets



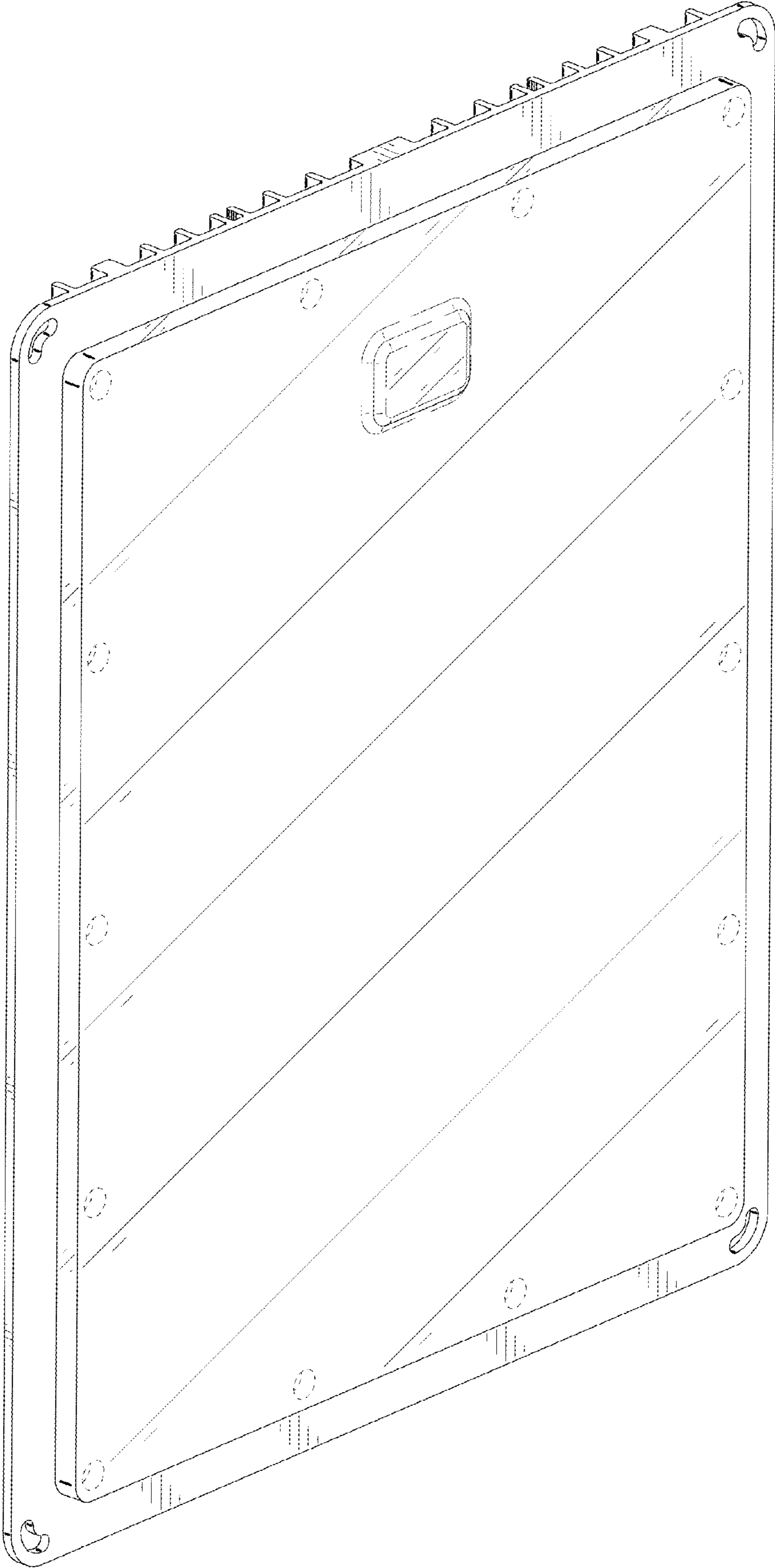


FIG. 1

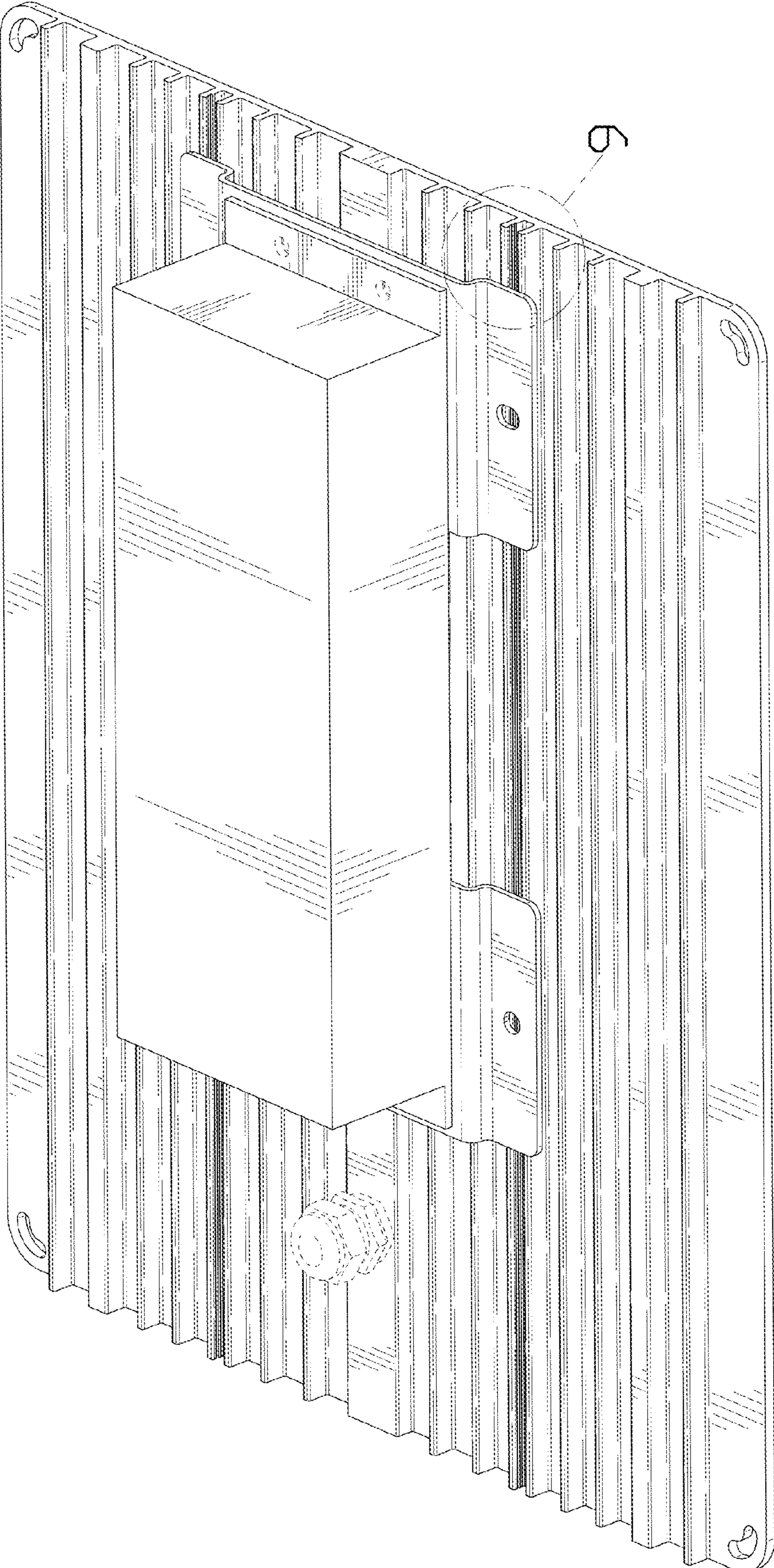


FIG. 2

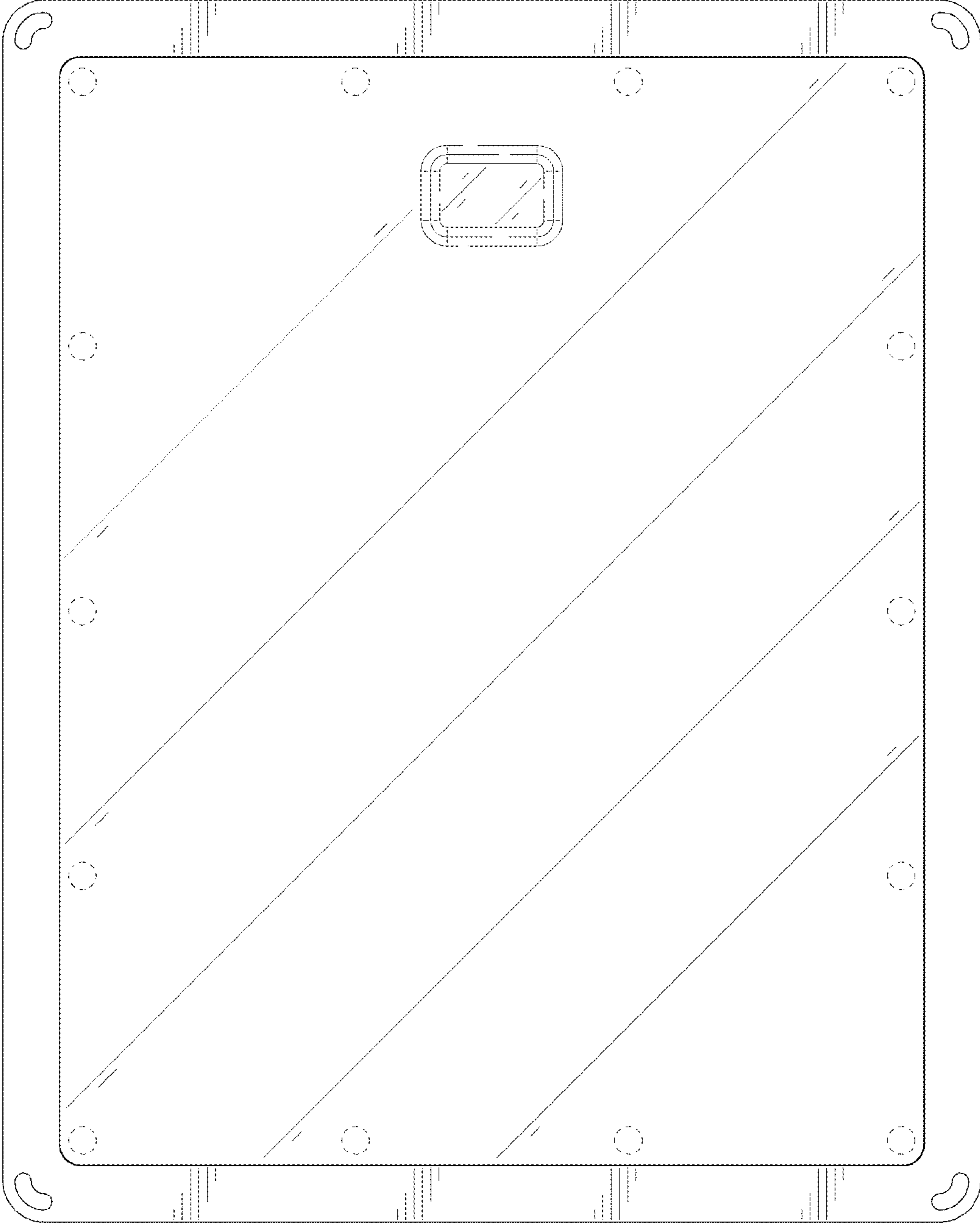


FIG. 3

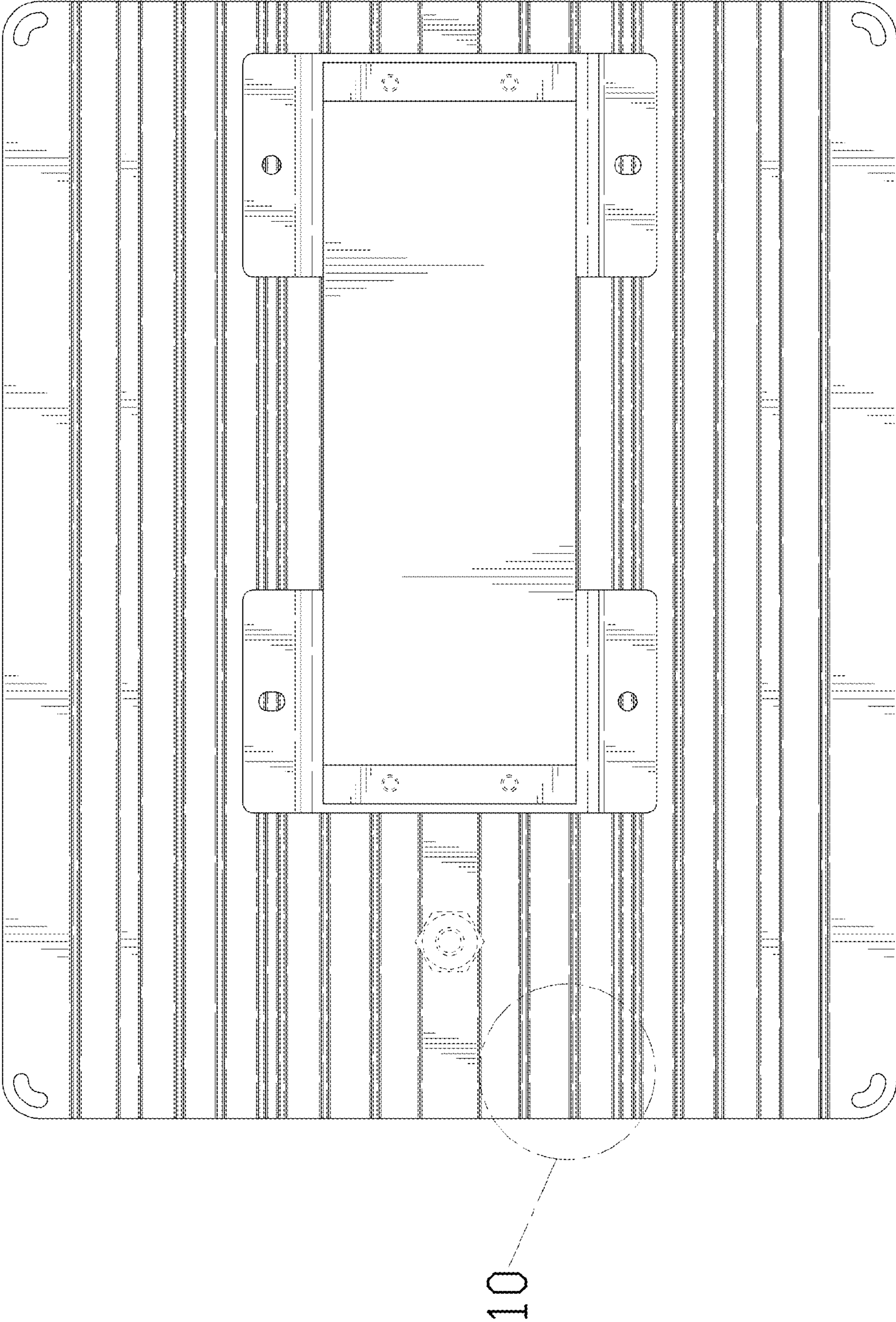


FIG. 4

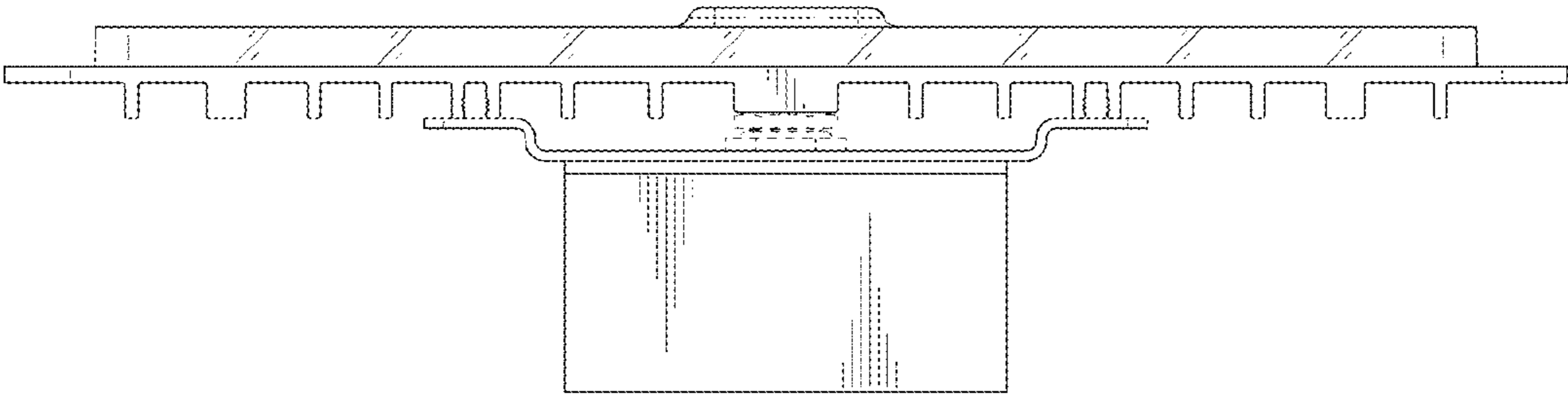


FIG. 5

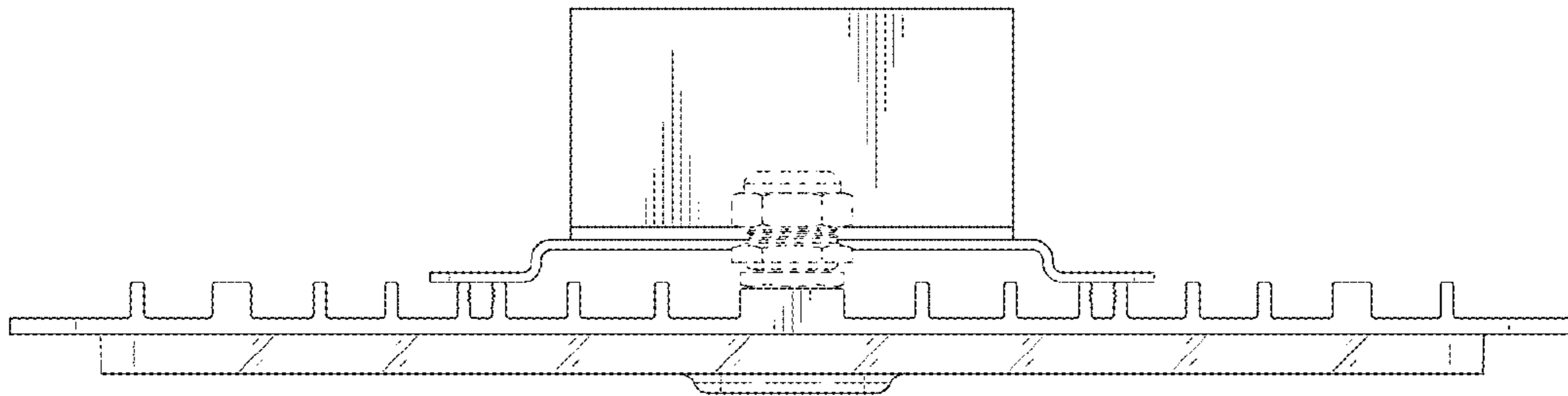


FIG. 6

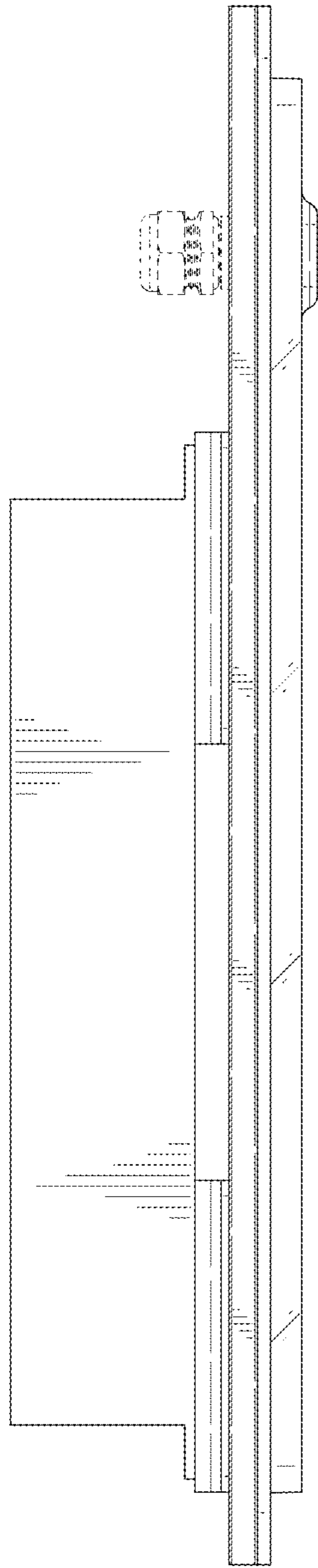


FIG. 7

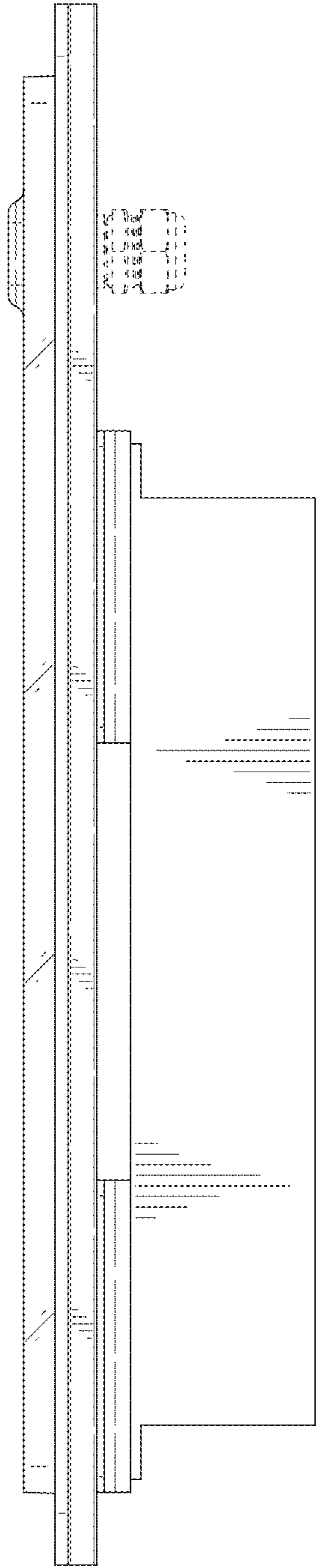


FIG. 8

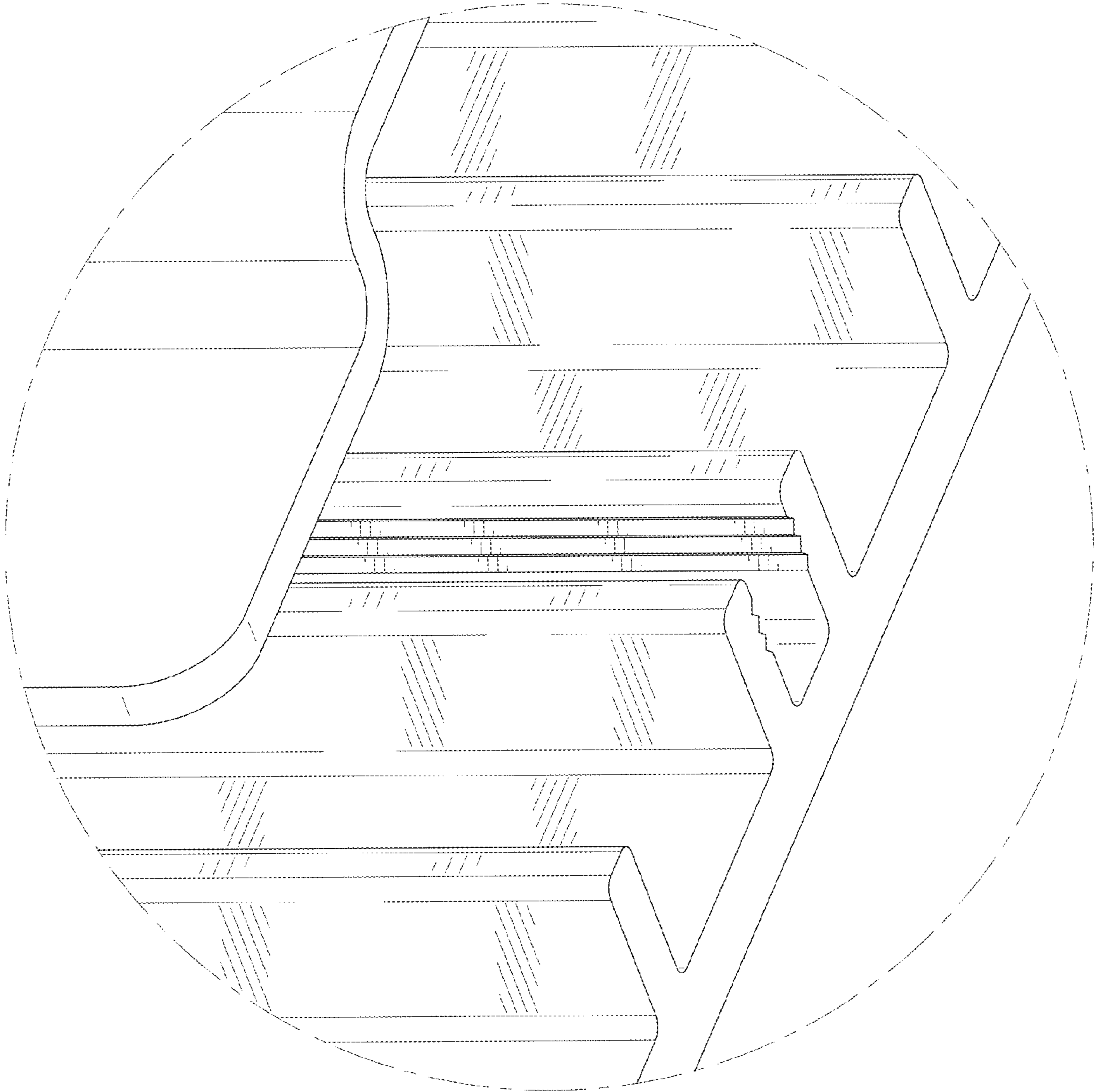


FIG. 9

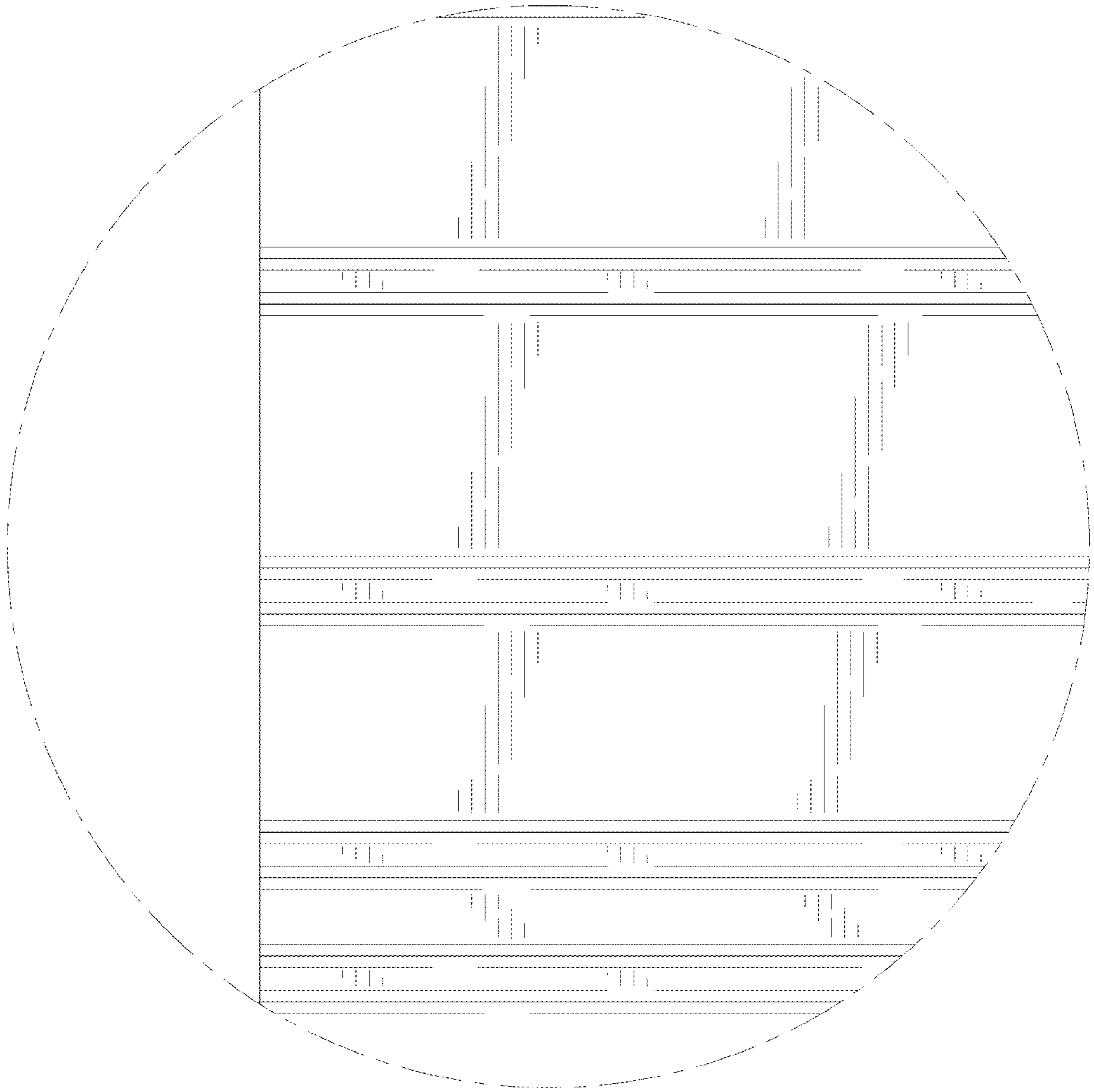


FIG. 10