



US00D988563S

(12) **United States Design Patent** (10) **Patent No.:** **US D988,563 S**  
**Lin** (45) **Date of Patent:** **\*\* Jun. 6, 2023**

(54) **DESK LAMP**

(71) Applicant: **Liangbian Lin**, Wellington, FL (US)

(72) Inventor: **Liangbian Lin**, Wellington, FL (US)

(73) Assignee: **FOSHAN TENG RHYME MEDICAL Ltd**, Foshan (CN)

(\*\*) Term: **15 Years**

(21) Appl. No.: **29/808,403**

(22) Filed: **Sep. 19, 2021**

(51) **LOC (14) Cl.** ..... **26-05**

(52) **U.S. Cl.**  
USPC ..... **D26/65**

(58) **Field of Classification Search**

USPC ..... D26/24, 51, 58, 60, 61, 62, 63, 64, 65,  
D26/66, 71, 93, 107, 37, 108, 109;  
D24/137, 186; D6/641, 642, 653, 653.1,  
D6/657, 663, 664, 672, 673, 676, 676.1,  
D6/685, 686, 694; D16/135  
CPC ..... F21L 2/00; F21L 4/00; F21L 4/027; F21L  
14/00; F21S 6/00; F21S 6/002; F21S  
6/003; F21S 6/004; F21S 6/005; F21S  
6/006; F21S 6/007; F21S 8/043; F21S  
8/08; F21W 2131/00; F21W 2131/30;  
F21W 2131/3005; F21W 2131/301; F21V  
1/00; F21V 21/00; F21V 21/06; F21V  
21/08; F21V 21/14; F21V 21/30; F21V  
21/088; F21V 33/00; F21V 33/0024;  
F21V 33/0048

See application file for complete search history.

(56) **References Cited**

**U.S. PATENT DOCUMENTS**

D258,967 S \* 4/1981 Rollinson ..... D26/58  
D327,334 S \* 6/1992 Parker ..... D26/65  
D374,100 S \* 9/1996 Chen ..... D26/65  
6,322,226 B1 11/2001 Dickson  
6,584,913 B2 \* 7/2003 Cloud ..... A47C 7/68  
108/5

D607,594 S \* 1/2010 Waldmann ..... D26/71  
D709,235 S \* 7/2014 Chu  
D709,236 S \* 7/2014 Ku ..... D26/71  
D737,492 S \* 8/2015 Li ..... D26/60  
D744,692 S 12/2015 Poulton  
D773,724 S 12/2016 Shiening Wang  
D776,336 S 1/2017 Ng et al.  
D802,201 S \* 11/2017 Xu ..... D26/107  
D815,326 S \* 4/2018 Waldmann ..... D26/60  
D855,871 S 8/2019 Ma et al.  
D871,648 S 12/2019 Tong  
D929,027 S 8/2021 Zhu

(Continued)

**OTHER PUBLICATIONS**

Alremo Portable Folding Table Lamp, first available Mar. 8, 2023, amazon.com, [online], [site visited Mar. 3, 2023], Available from internet URL: [https://www.amazon.com/ALREMO-Flicker-Free-Protection-Rechargeable-Suitable/dp/B0BX384D27/ref=sr\\_1\\_259?crid=31BLCC8LEHLMT&keywords%E2%80%A6](https://www.amazon.com/ALREMO-Flicker-Free-Protection-Rechargeable-Suitable/dp/B0BX384D27/ref=sr_1_259?crid=31BLCC8LEHLMT&keywords%E2%80%A6) (Year: 2023).\*

*Primary Examiner* — Angela J Lee

*Assistant Examiner* — Audris Park

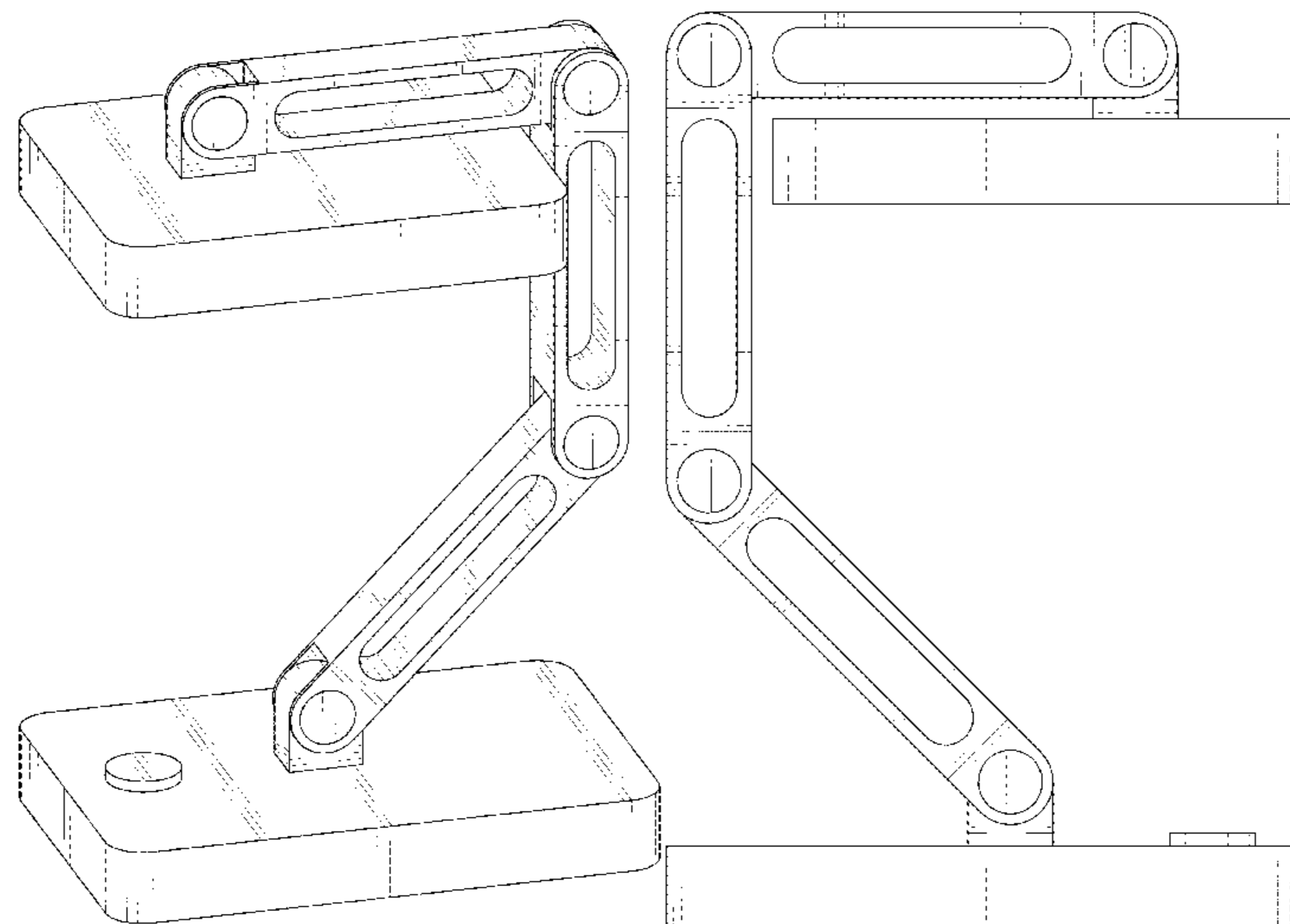
(57) **CLAIM**

I claim the ornamental design for a desk lamp, as shown and described.

**DESCRIPTION**

FIG. 1 is a perspective view of a desk lamp, showing my new design;  
FIG. 2 is a front view thereof;  
FIG. 3 is a bottom view thereof;  
FIG. 4 is a top view thereof;  
FIG. 5 is a rear view thereof;  
FIG. 6 is a left side view thereof; and,  
FIG. 7 is a right side view thereof.  
The broken line portion of the figure drawings is included to show portions of the article that forms no part of the claimed design.

**1 Claim, 7 Drawing Sheets**



(56)

**References Cited**

U.S. PATENT DOCUMENTS

D943,133	S	*	2/2022	Chen	.....	D26/61
2005/0117325	A1	*	6/2005	Hsieh	.....	H01T 23/00 362/33
2009/0196039	A1	*	8/2009	Shyu	.....	F21S 6/003 362/253
2012/0002428	A1	*	1/2012	Tomasi	.....	F21V 17/007 362/382
2017/0251807	A1	*	9/2017	Haskins	.....	A47B 23/002

\* cited by examiner

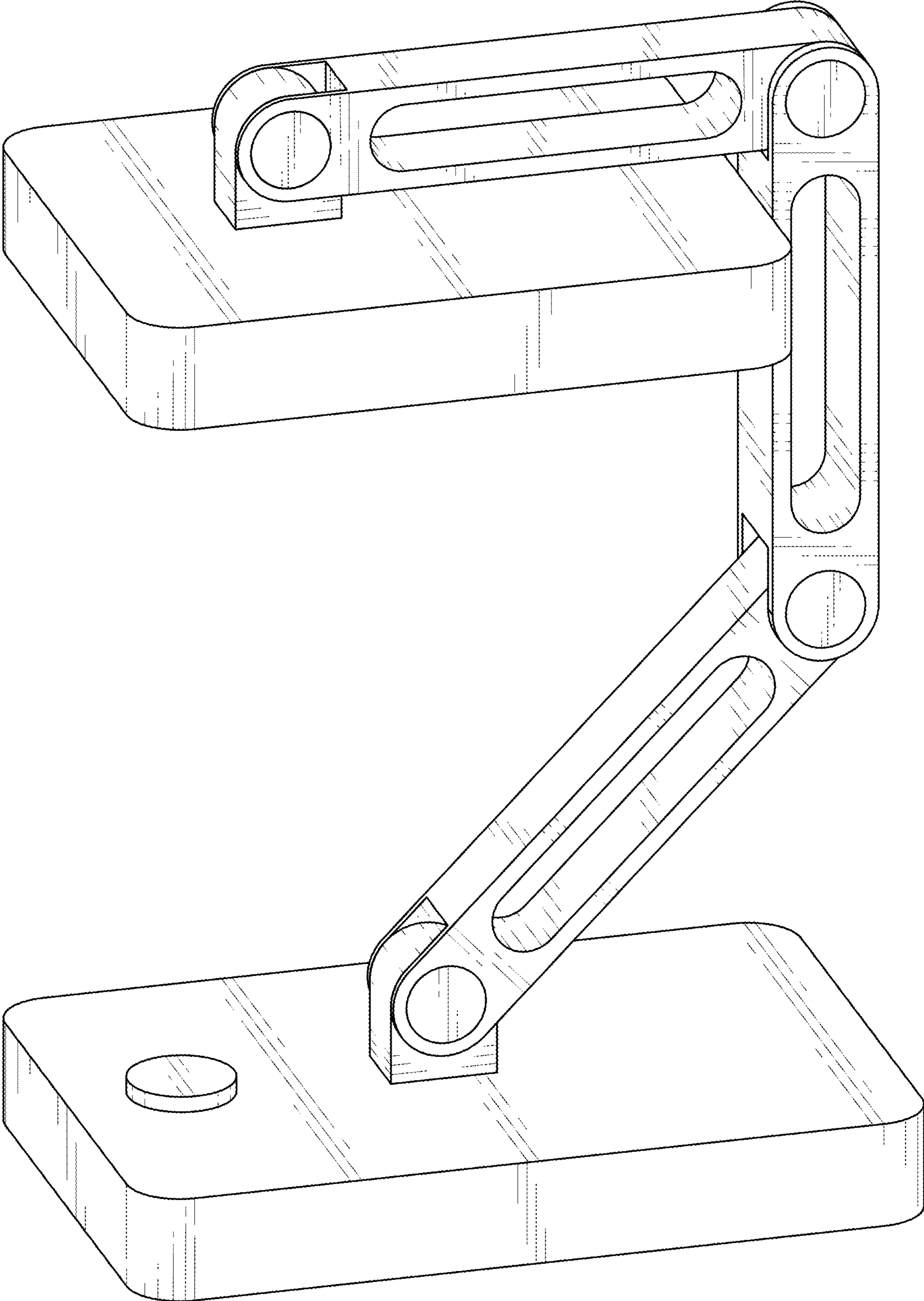


FIG.1

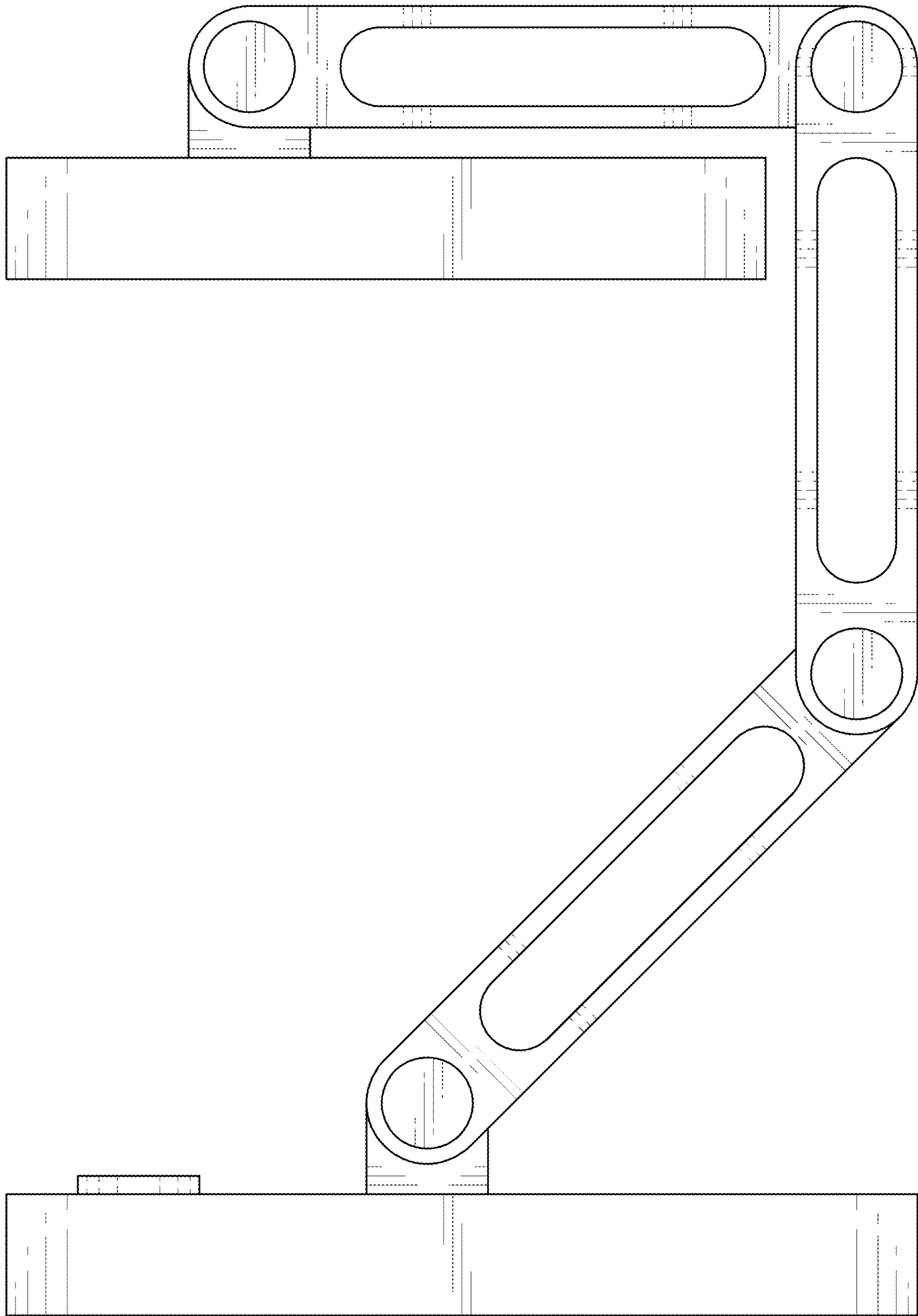


FIG. 2

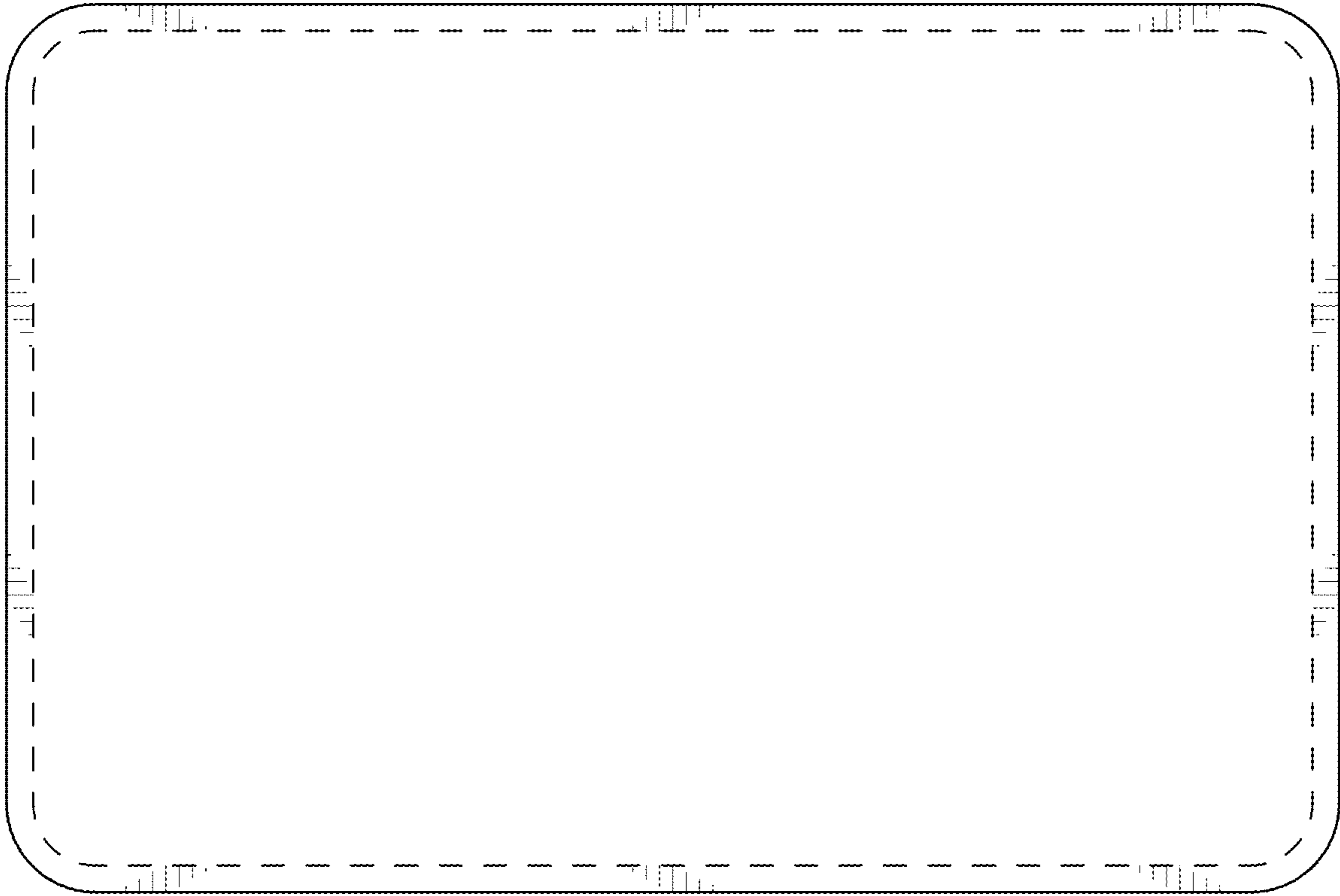


FIG.3

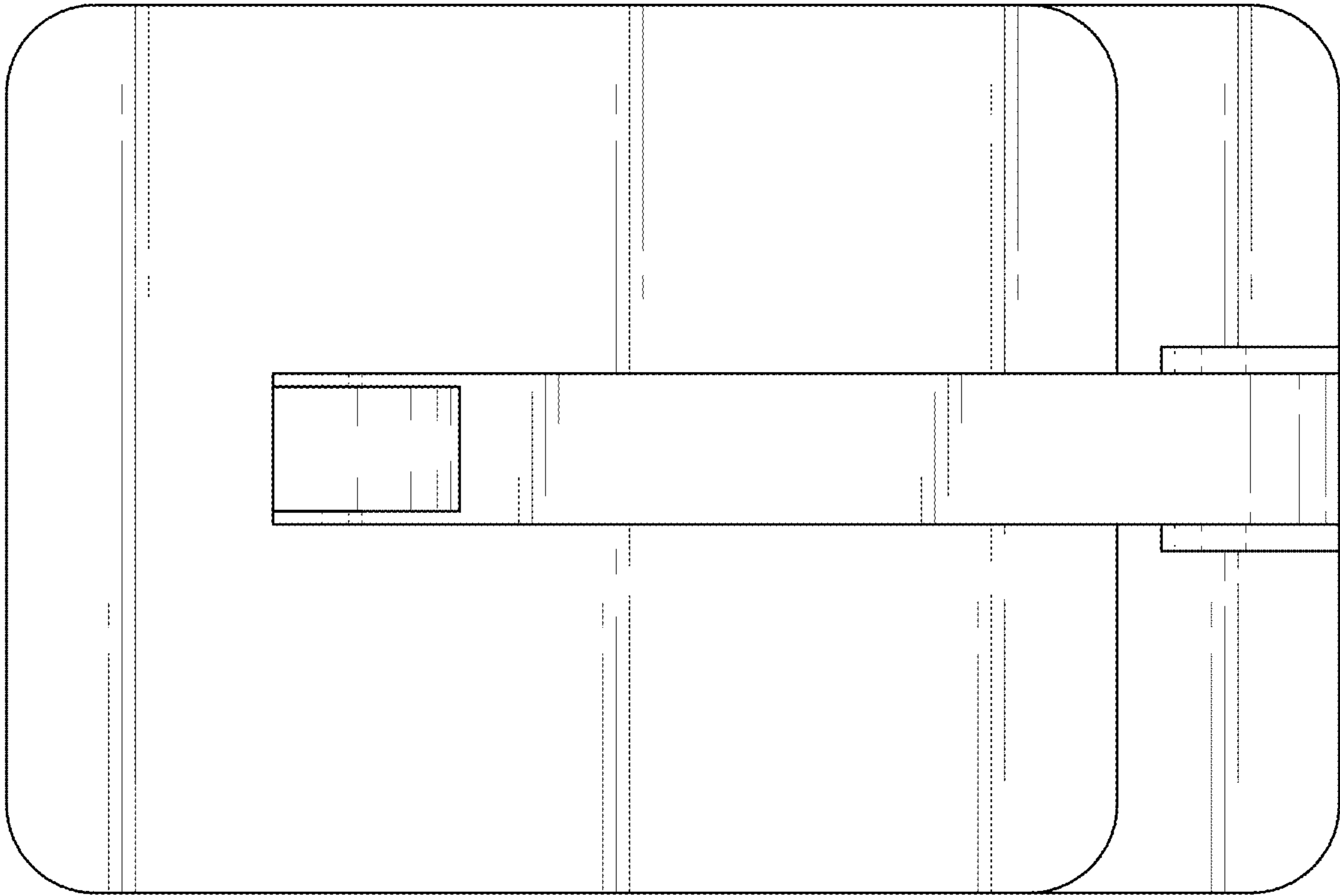


FIG.4

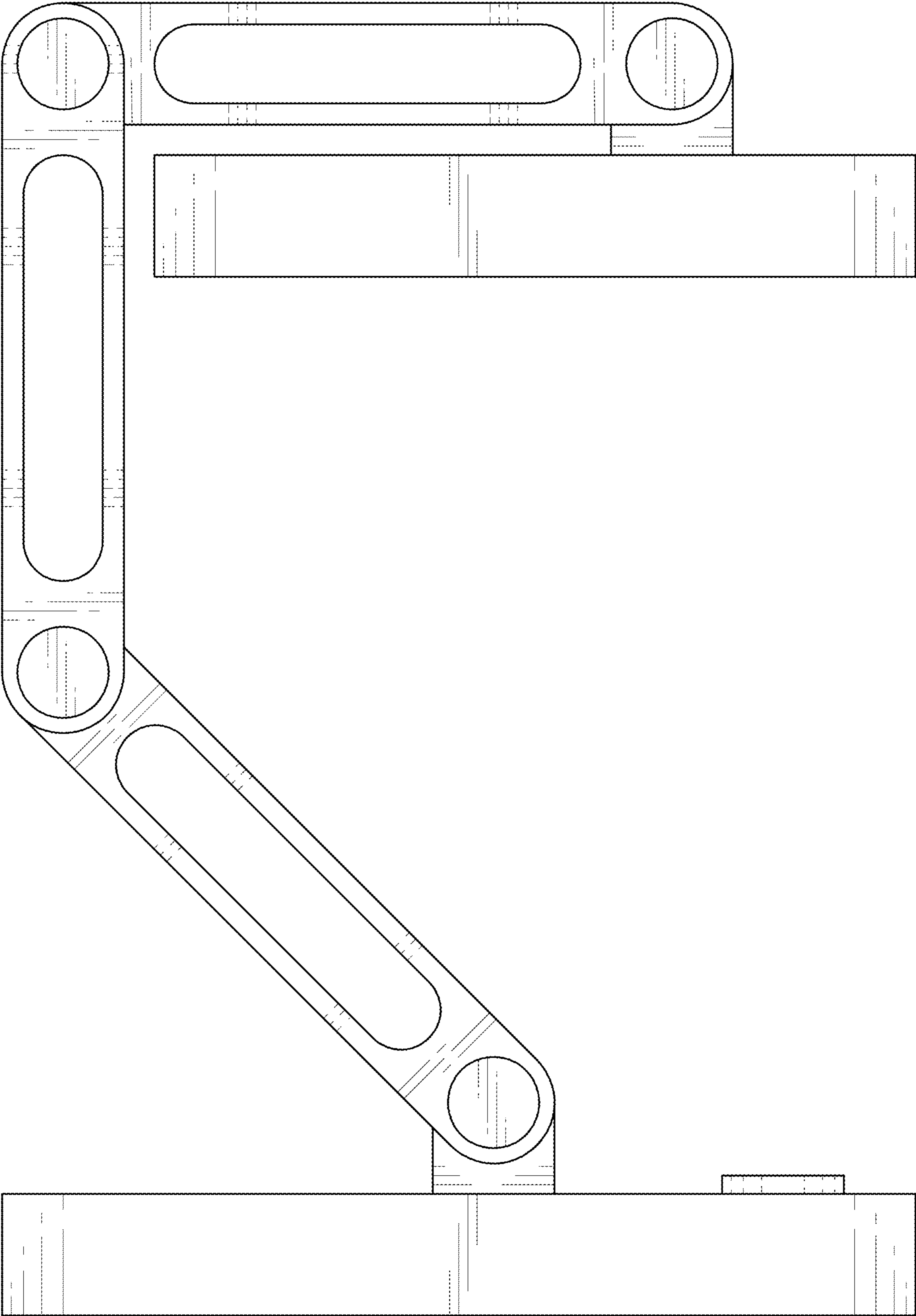


FIG.5

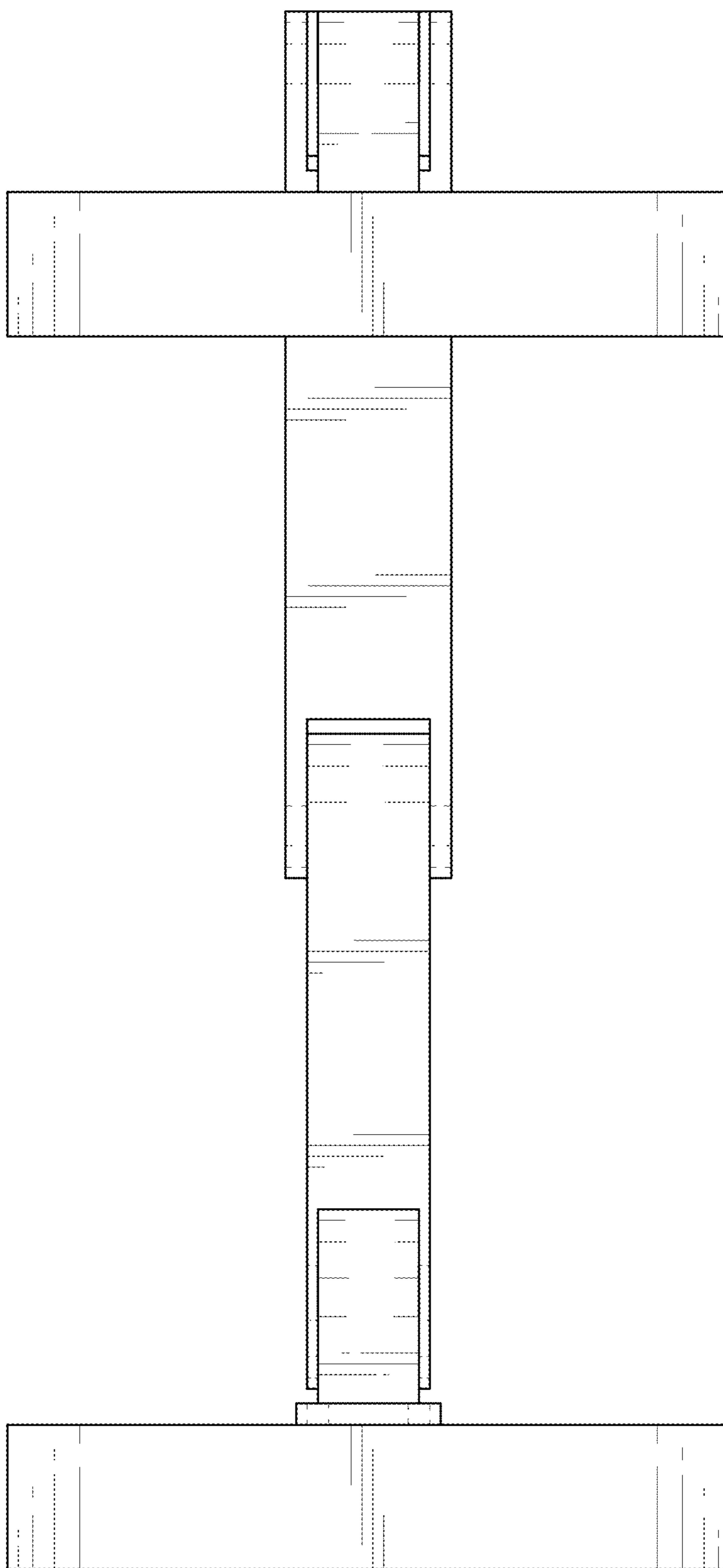


FIG. 6



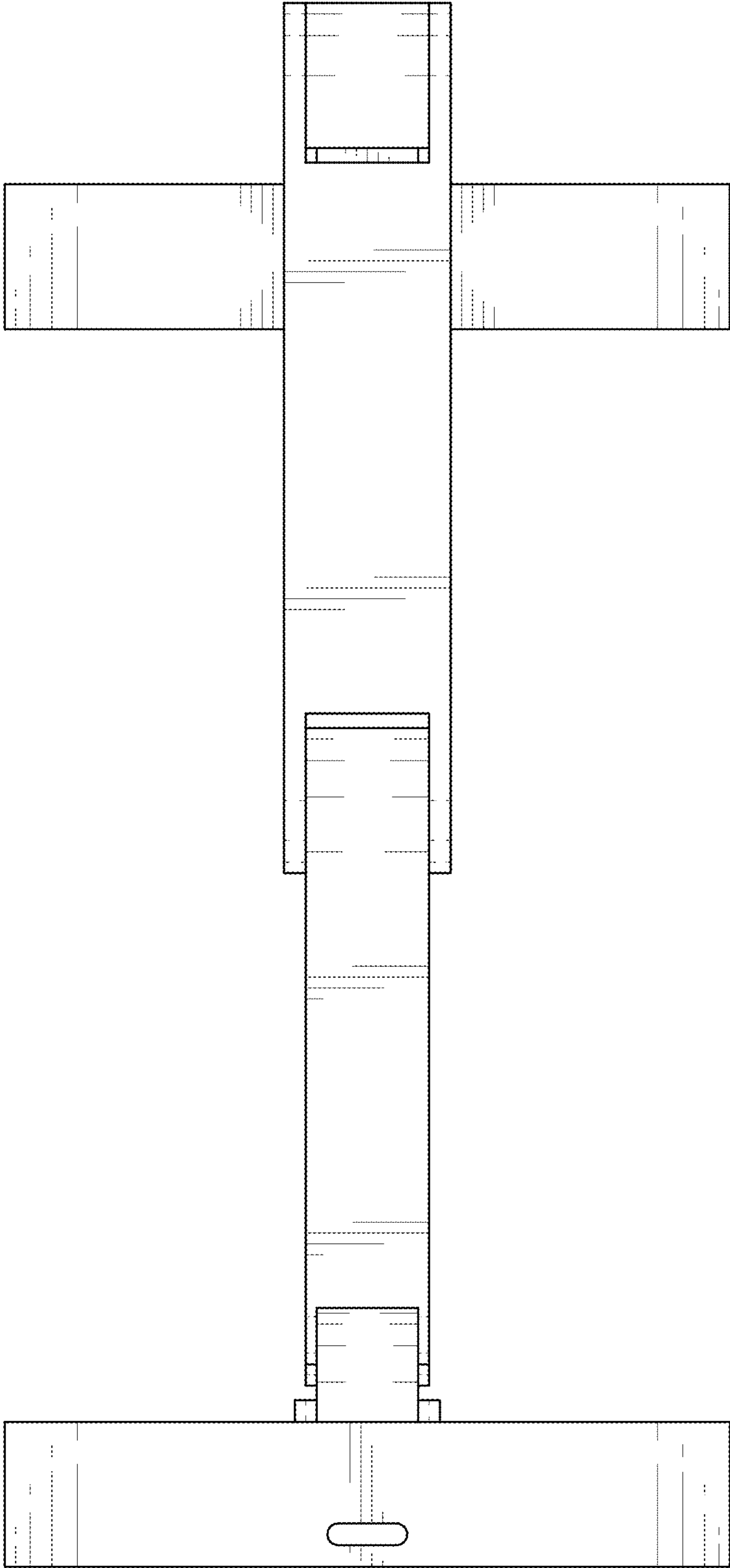


FIG.7