



US00D988561S

(12) **United States Design Patent**  
**Chen**

(10) **Patent No.:** **US D988,561 S**  
(45) **Date of Patent:** **\*\* Jun. 6, 2023**

- (54) **SOLAR GARDEN LIGHT**
- (71) Applicant: **Junqing Chen**, Guangdong (CN)
- (72) Inventor: **Junqing Chen**, Guangdong (CN)
- (73) Assignee: **Shenzhen Jinge Electronic Plastic Co., Ltd**, Guangdong (CN)
- (\*\*) Term: **15 Years**
- (21) Appl. No.: **29/804,941**
- (22) Filed: **Aug. 24, 2021**
- (51) **LOC (14) Cl.** ..... **26-05**
- (52) **U.S. Cl.**  
USPC ..... **D26/63; D26/67**
- (58) **Field of Classification Search**  
USPC ..... D26/1, 2, 3, 24, 51, 61, 63, 65, 66, 69,  
D26/72, 81, 83, 92, 93, 102, 67, 71;  
D23/370, 375, 377, 379, 413  
CPC .... F21S 6/004; F21S 8/00; F21S 8/003; F21S  
8/04; F21S 8/026; F21S 8/036; F21S  
8/037; F21S 8/038; F21S 8/043; F21S  
8/081; F21S 8/083; F21S 8/085; F21S  
8/086; F21S 9/03; F21S 9/032; F21S  
9/035; F21S 9/037; F21V 14/02; F21V  
21/00; F21V 21/02; F21V 21/14; F21V  
21/26; F21V 21/30; F21W 2111/02;  
F21W 2111/023; F21W 2131/10; F21Y  
2115/10

See application file for complete search history.

(56) **References Cited**

**U.S. PATENT DOCUMENTS**

- D839,472 S \* 1/2019 Hu ..... D26/118
- D903,921 S \* 12/2020 Zhuo ..... D26/63
- D921,261 S \* 6/2021 Qiu ..... D26/67
- D923,226 S \* 6/2021 Hu ..... D26/63
- D923,845 S \* 6/2021 Kong ..... D26/63
- D925,084 S \* 7/2021 Chen ..... D26/63
- D925,100 S \* 7/2021 Hui ..... D26/68
- D944,434 S \* 2/2022 Li ..... D26/63

- D963,225 S \* 9/2022 Zhuo ..... D26/63
- D963,911 S \* 9/2022 Chen ..... D13/102
- D974,631 S \* 1/2023 Zhao ..... D26/63

**OTHER PUBLICATIONS**

Hamenlo Solar Spot Lights Outdoor, first available Dec. 21, 2021, amazon.com, [online], [site visited Jan. 23, 2023], Available from internet URL: [https://www.amazon.com/Hamenlo-Outdoor-Solar-Landscape-Spotlights/dp/B09HGVZKTL/ref=sr\\_1\\_166\\_sspa?crd=3COLUH2CW3C4&keywords=sol%E2%80%A6&th=1](https://www.amazon.com/Hamenlo-Outdoor-Solar-Landscape-Spotlights/dp/B09HGVZKTL/ref=sr_1_166_sspa?crd=3COLUH2CW3C4&keywords=sol%E2%80%A6&th=1) (Year: 2021).\*

Jior Solar Landscape SpotLights Outdoor, first available Apr. 1, 2020, amazon.com, [online], [site visited Jan. 23, 2023], Available from internet URL: [https://www.amazon.com/Landscape-Lights-Outdoor-Waterproof-Wireless/dp/B086MSJ47D/ref=sr\\_1\\_31\\_sspa?crd=3COLUH2CW3C4&keywords=sol%E2%80%A6&th=1](https://www.amazon.com/Landscape-Lights-Outdoor-Waterproof-Wireless/dp/B086MSJ47D/ref=sr_1_31_sspa?crd=3COLUH2CW3C4&keywords=sol%E2%80%A6&th=1) (Year: 2020).\*

Lerekam Solar Spot Lights Outdoor, first available Mar. 1, 2019, amazon.com, [online], [site visited Jan. 25, 2023], Available from internet URL: [https://www.amazon.com/LEREKAM-Outdoor-Waterproof-Landscape-Spotlights/dp/B08ZY9PQRS/ref=sr\\_1\\_1\\_sspa?crd=FGSBNOQRHQ5B&keywo%E2%80%A6](https://www.amazon.com/LEREKAM-Outdoor-Waterproof-Landscape-Spotlights/dp/B08ZY9PQRS/ref=sr_1_1_sspa?crd=FGSBNOQRHQ5B&keywo%E2%80%A6) (Year: 2019).\*

\* cited by examiner

*Primary Examiner* — Angela J Lee  
*Assistant Examiner* — Audris Park

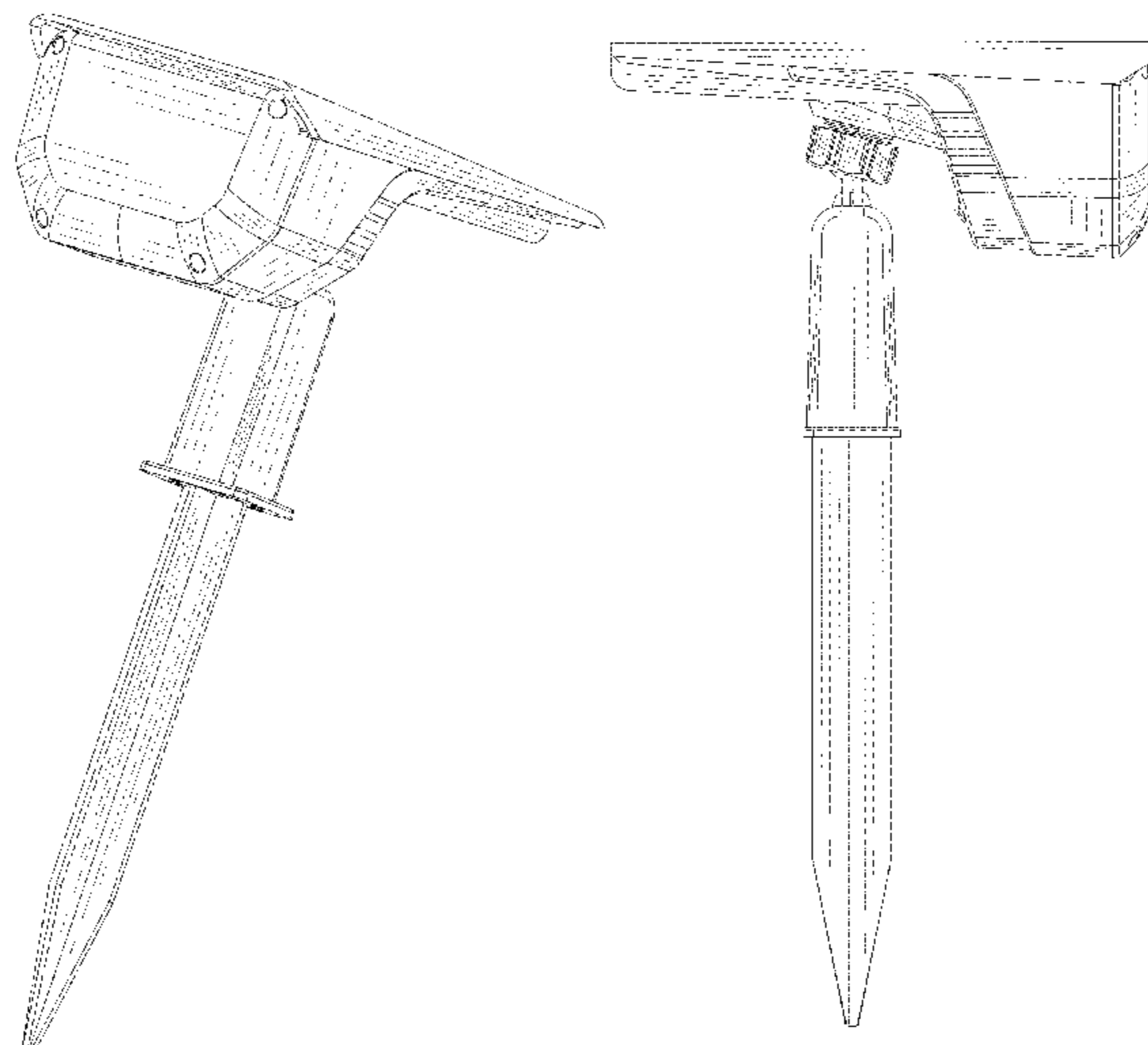
(57) **CLAIM**

The ornamental design for a solar garden light, as shown and described.

**DESCRIPTION**

FIG. 1 is a perspective view of a solar garden light showing my new design;  
FIG. 2 is a front elevation view thereof;  
FIG. 3 is a rear elevation view thereof;  
FIG. 4 is a left side elevation view thereof;  
FIG. 5 is a right side elevation view thereof;  
FIG. 6 is a top plan view thereof; and,  
FIG. 7 is a bottom plan view thereof.  
The broken lines in the drawings depict portions of the solar garden light that form no part of the claimed design.

**1 Claim, 7 Drawing Sheets**



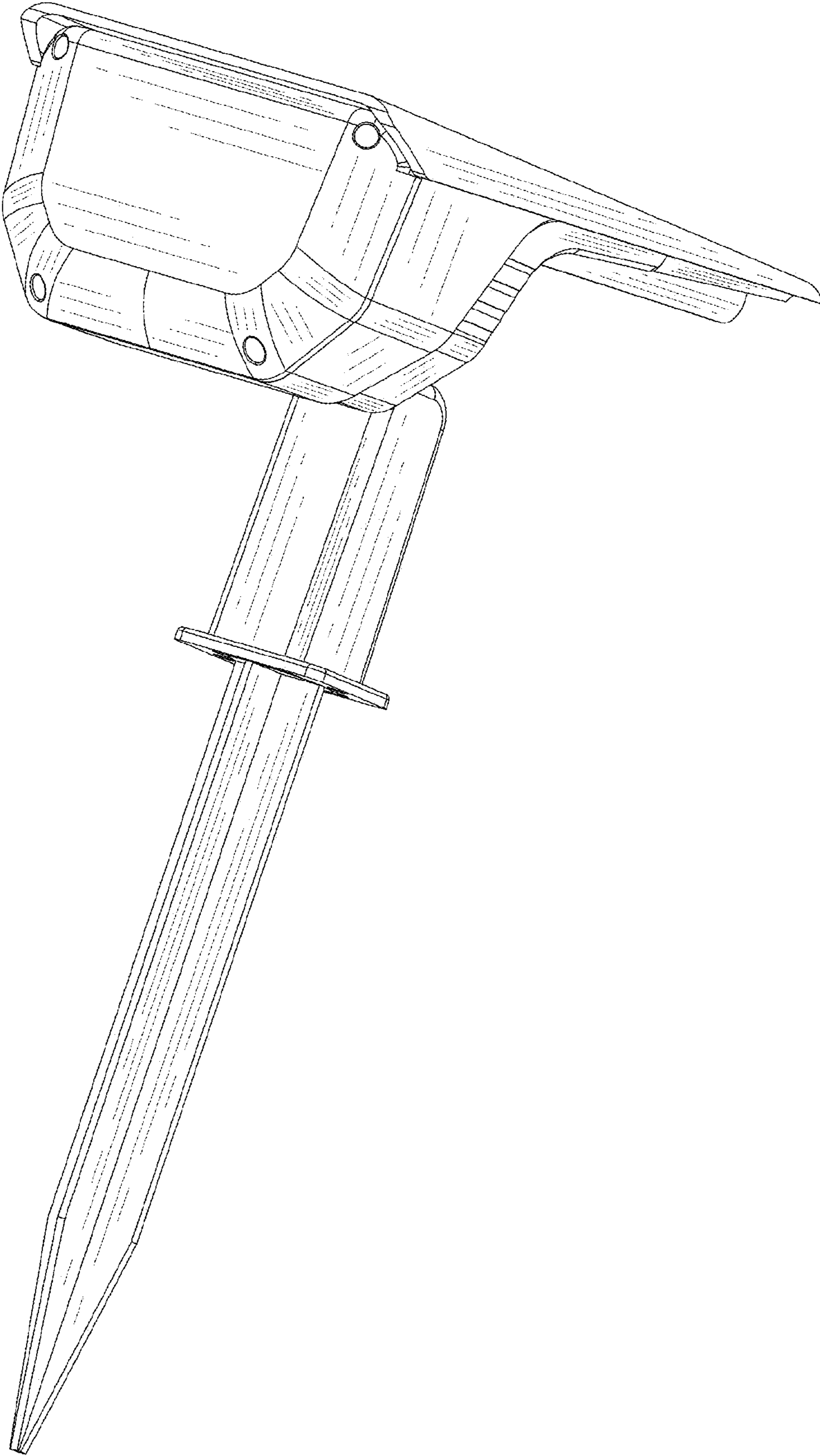


FIG. 1

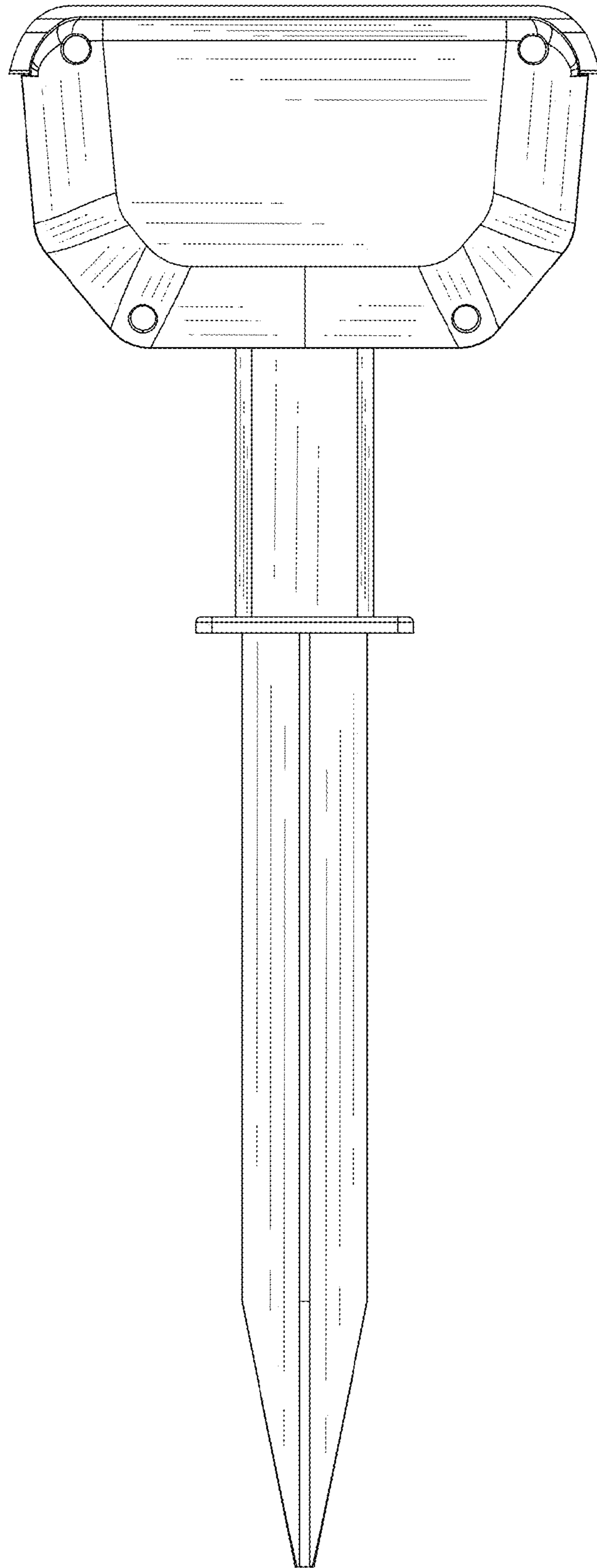


FIG. 2

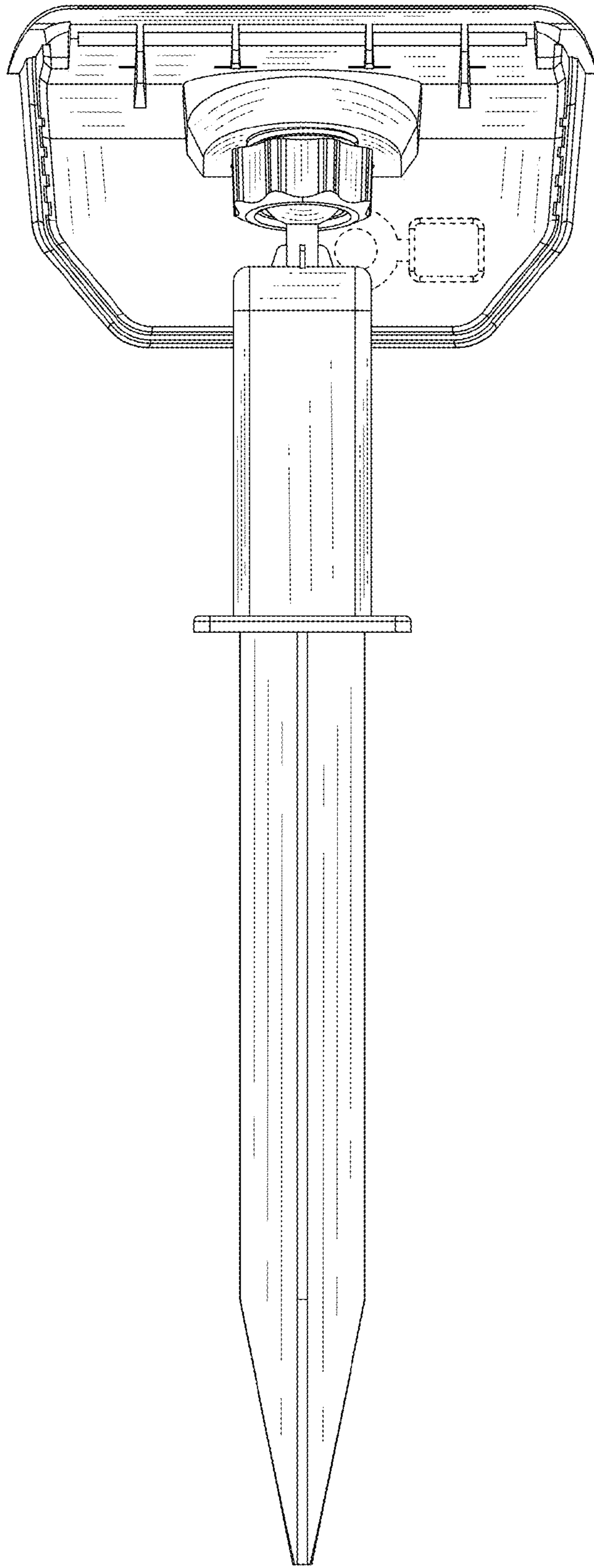


FIG. 3



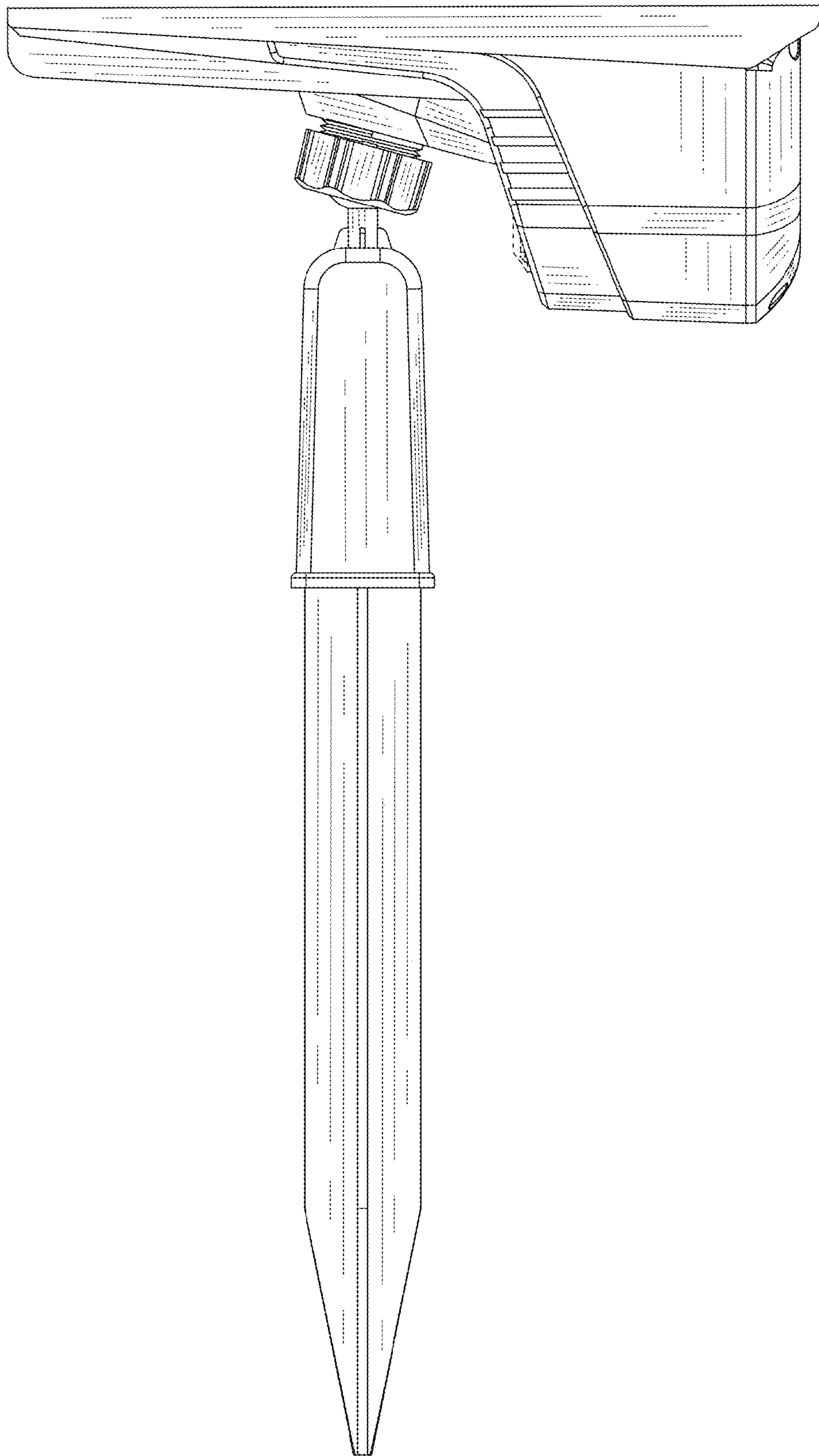


FIG. 4

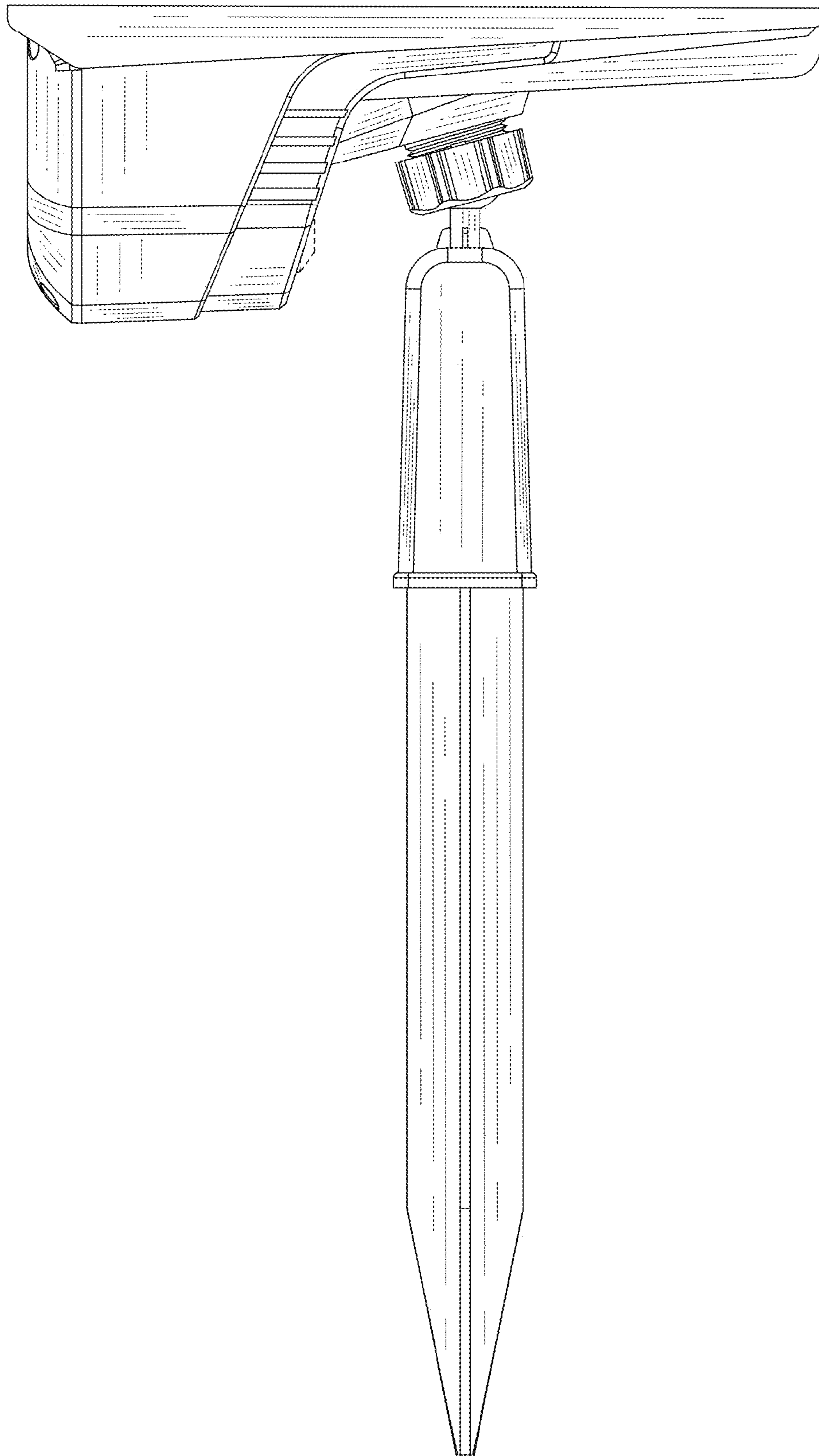


FIG. 5

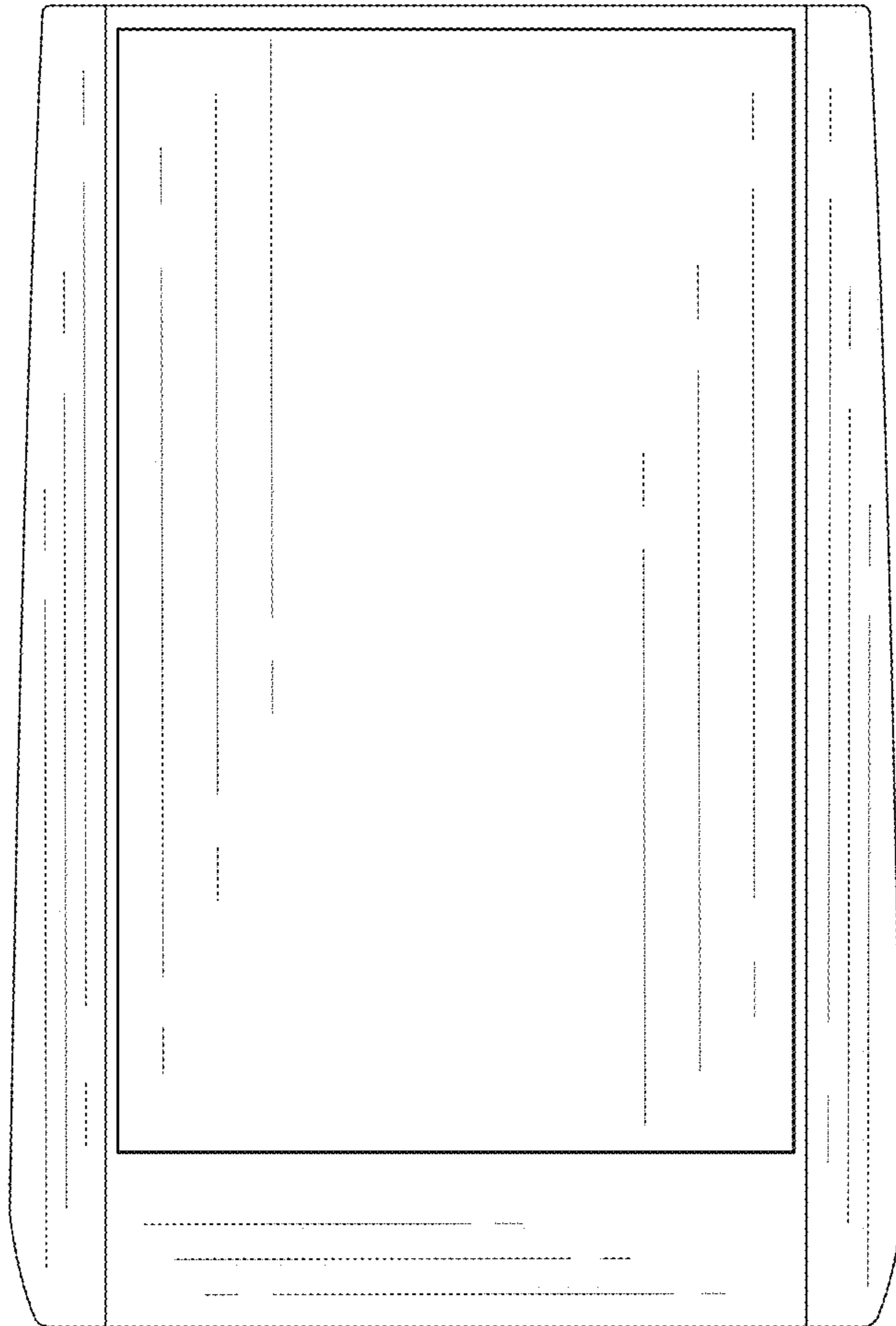


FIG. 6

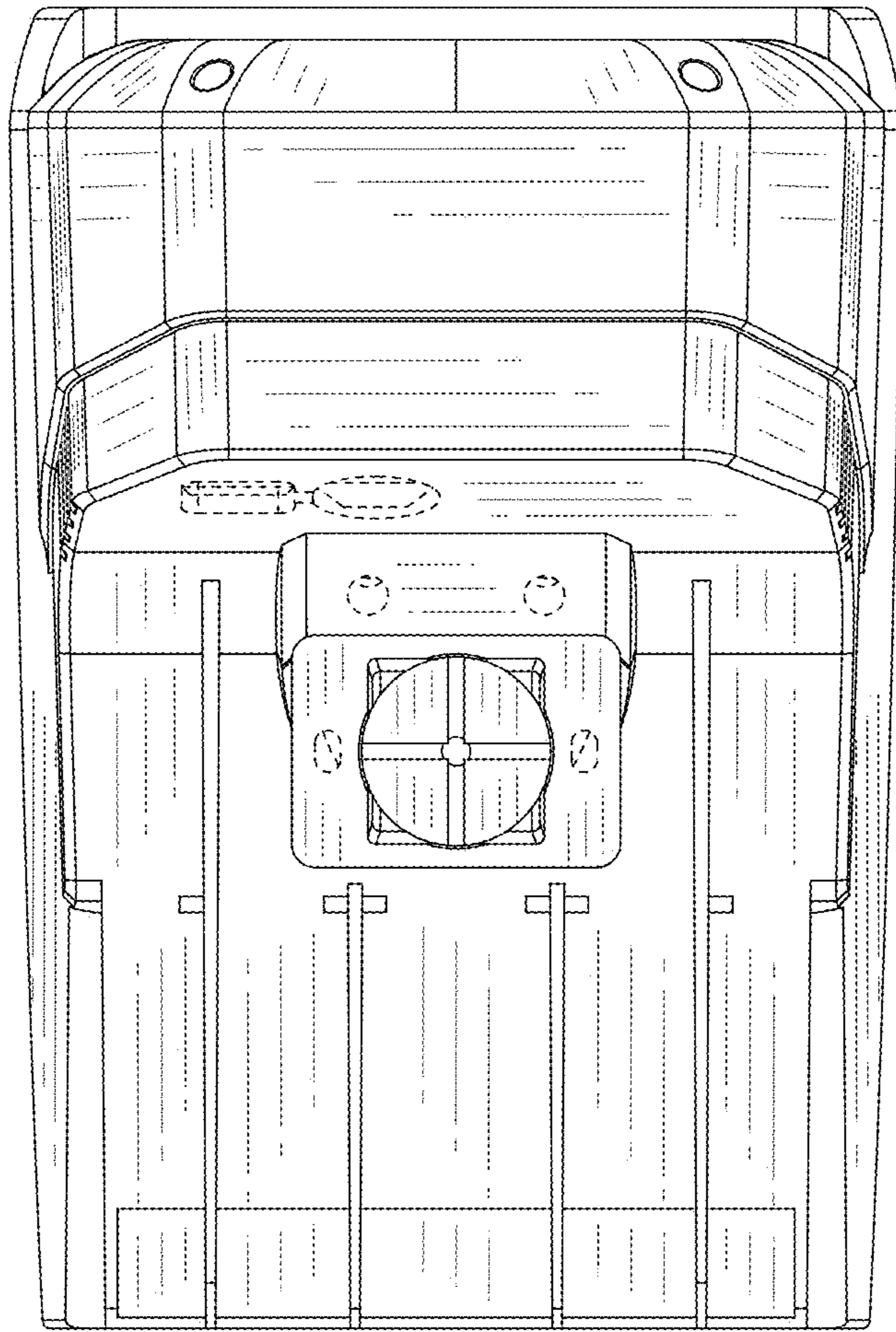


FIG. 7