



US00D988560S

(12) **United States Design Patent**
Zhou

(10) **Patent No.:** **US D988,560 S**

(45) **Date of Patent:** **** Jun. 6, 2023**

(54) **GARAGE LAMP**

OTHER PUBLICATIONS

(71) Applicant: **Lin Zhou**, Shenzhen (CN)

(72) Inventor: **Lin Zhou**, Shenzhen (CN)

(**) Term: **15 Years**

(21) Appl. No.: **29/796,590**

(22) Filed: **Jun. 25, 2021**

(51) **LOC (14) Cl.** **26-05**

(52) **U.S. Cl.**
USPC **D26/63; D26/2**

(58) **Field of Classification Search**
USPC D26/24, 37, 61, 63–65, 72, 93, 2
CPC .. F21S 6/002; F21S 6/003; F21S 8/003; F21S
8/04; F21S 8/033; F21S 9/03; F21S
9/032; F21L 13/00; F21L 4/00
See application file for complete search history.

“Doitool” reference by HDYEHBGDJ on Amazon.com, date first available Sep. 3, 2021 [online], site visited Mar. 15, 2023, available from internet URL: <https://www.amazon.com/Garage-Light-Folding-Lamp-Deformable/dp/B09FDBTTYZ/> (Year: 2021).*

“Labrimp” reference by Star Aier on Amazon.com, date first available Mar. 1, 2023 [online], site visited Mar. 15, 2023, available from internet URL: <https://www.amazon.com/LABRIMP-Deformable-Basement-Industrial-Adjustable/dp/B0BXMMDRNL/> (Year: 2023).*

(Continued)

Primary Examiner — Richard Kearney

Assistant Examiner — Liv C Anderson

(56) **References Cited**

U.S. PATENT DOCUMENTS

D879,334 S *	3/2020	Lin	D26/2
D879,335 S *	3/2020	Lin	D26/2
D884,244 S *	5/2020	Wang	D26/2
D884,952 S *	5/2020	Cao	D26/2
D885,629 S *	5/2020	Liu	D26/2
D885,630 S *	5/2020	Lin	D26/2
D887,610 S *	6/2020	Wei	D26/2
D935,671 S *	11/2021	Deng	D26/2
D935,672 S *	11/2021	Deng	D26/2
D946,190 S *	3/2022	Zhou	D26/63
D952,222 S *	5/2022	Shen	D26/2
D956,305 S *	6/2022	Mo	D26/63
D964,622 S *	9/2022	Wu	D26/63

FOREIGN PATENT DOCUMENTS

CN	306498577	*	4/2021
CN	307572054	*	9/2022

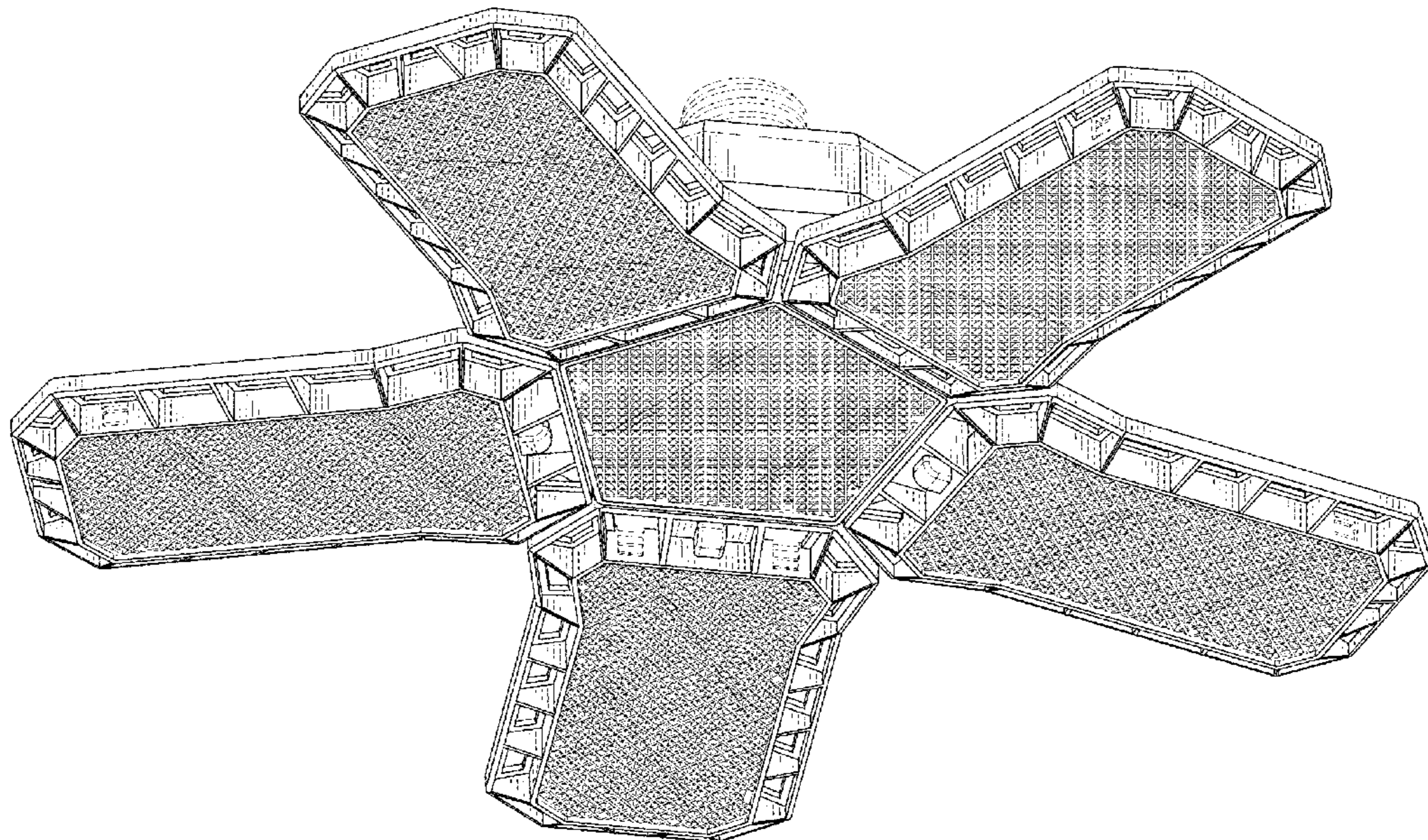
(57) **CLAIM**

The ornamental design for a garage lamp, as shown and described.

DESCRIPTION

FIG. 1 is a perspective view of a garage lamp showing my new design;
FIG. 2 is another perspective view thereof;
FIG. 3 is a front elevational view thereof;
FIG. 4 is a rear elevational view thereof;
FIG. 5 is a left side elevational view thereof;
FIG. 6 is a right side elevational view thereof;
FIG. 7 is a top plan view thereof;
FIG. 8 is a bottom plan view thereof; and,
FIG. 9 is a perspective view of the garage lamp where the garage lamp is in a configuration of use.
The broken lines in the drawings depict portions of the garage lamp that form no part of the claimed design.

1 Claim, 9 Drawing Sheets



(56)

References Cited

OTHER PUBLICATIONS

“Mutois” reference by Mutois on Amazon.com, date first available May 1, 2022 [online], site visited Mar. 15, 2023, available from internet URL: <https://www.amazon.com/Mutois-Deformable-Lighting-Workshop-Warehouse/dp/B09YR2SN8R> (Year: 2022).*

“Yuyvhh” reference on Amazon.com, date first available Jan. 14, 2021 [online], site visited Mar. 15, 2023, available from internet URL: <https://www.amazon.com/YUYVHH-Deformation-13%C3%9712-5%C3%9711-5cm-Illuminated-Deformable/dp/B08T1KTY6J> (Year: 2021).*

“Amepesll” reference on Amazon.com, date first available Nov. 13, 2020 [online], site visited Mar. 15, 2023, available from internet URL: <https://www.amazon.com/AMEPESLL-Basement-Adjustable-Deformable-Wide-Angle/dp/B08NCTBTYT> (Year: 2020).*

“Homelazy” reference by Homelazy on Amazon.com, date first available Jun. 2, 2020 [online], site visited Mar. 15, 2023, available from internet URL: <https://www.amazon.com/Garage-Deformable-Ceiling-Adjustable-Basement/dp/B089K88S6Z> (Year: 2020).*

“TDLOL” reference by LoniaLED on Amazon.com, date first available Dec. 6, 2021 [online], site visited Mar. 15, 2023, available from internet URL: <https://www.amazon.com/dp/B09N37435Q> (Year: 2021).*

* cited by examiner

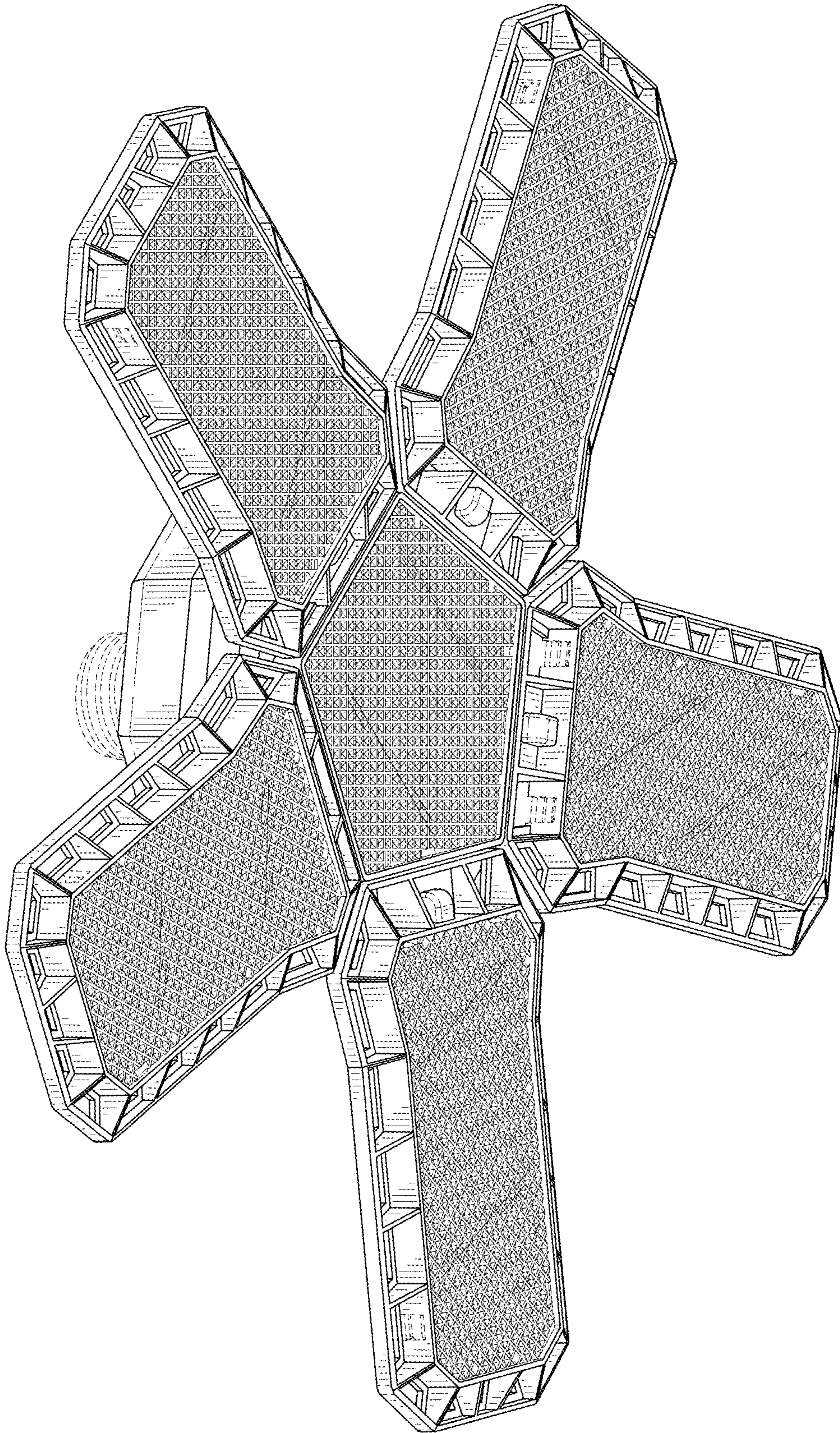


FIG. 1

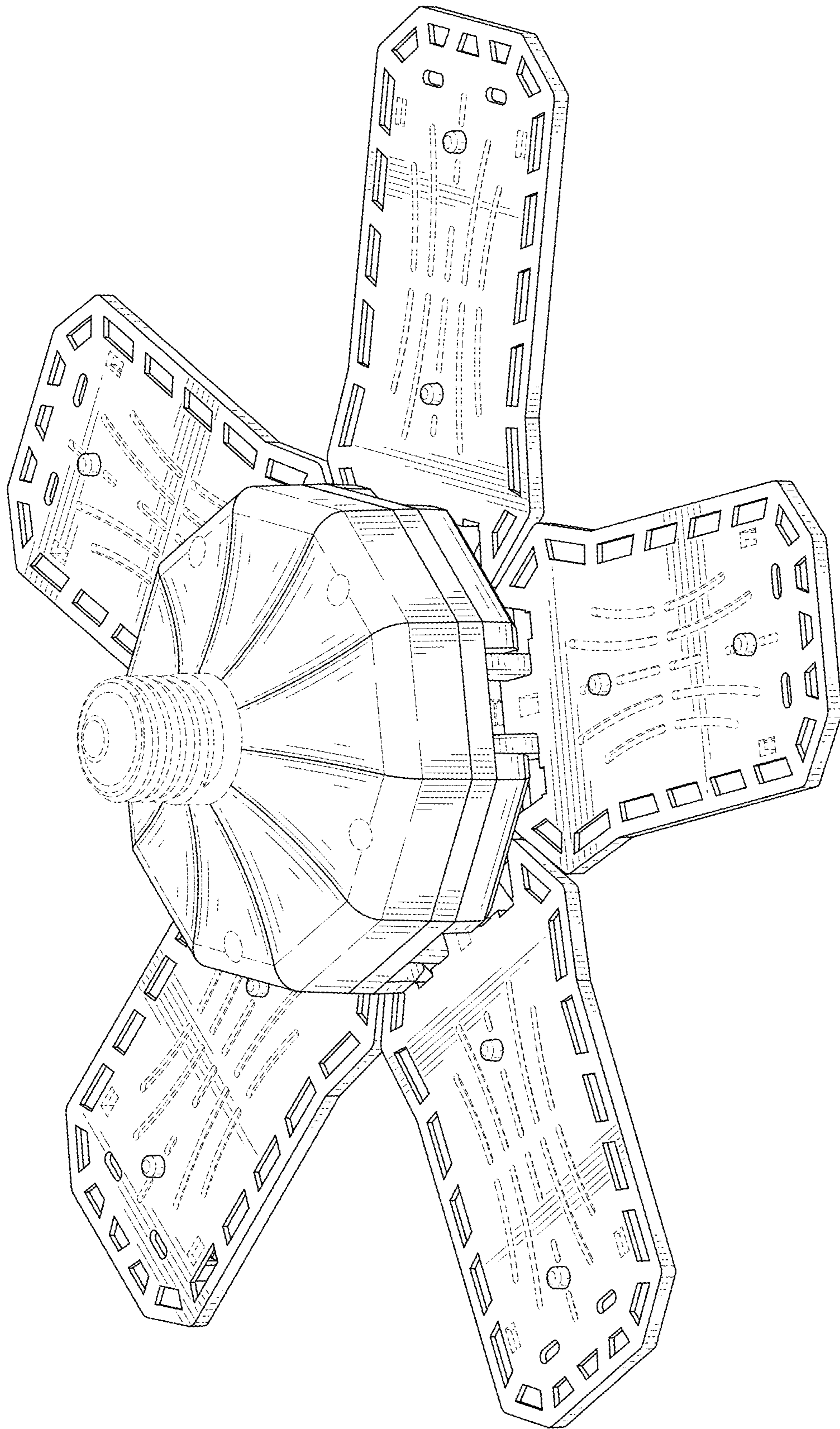


FIG. 2

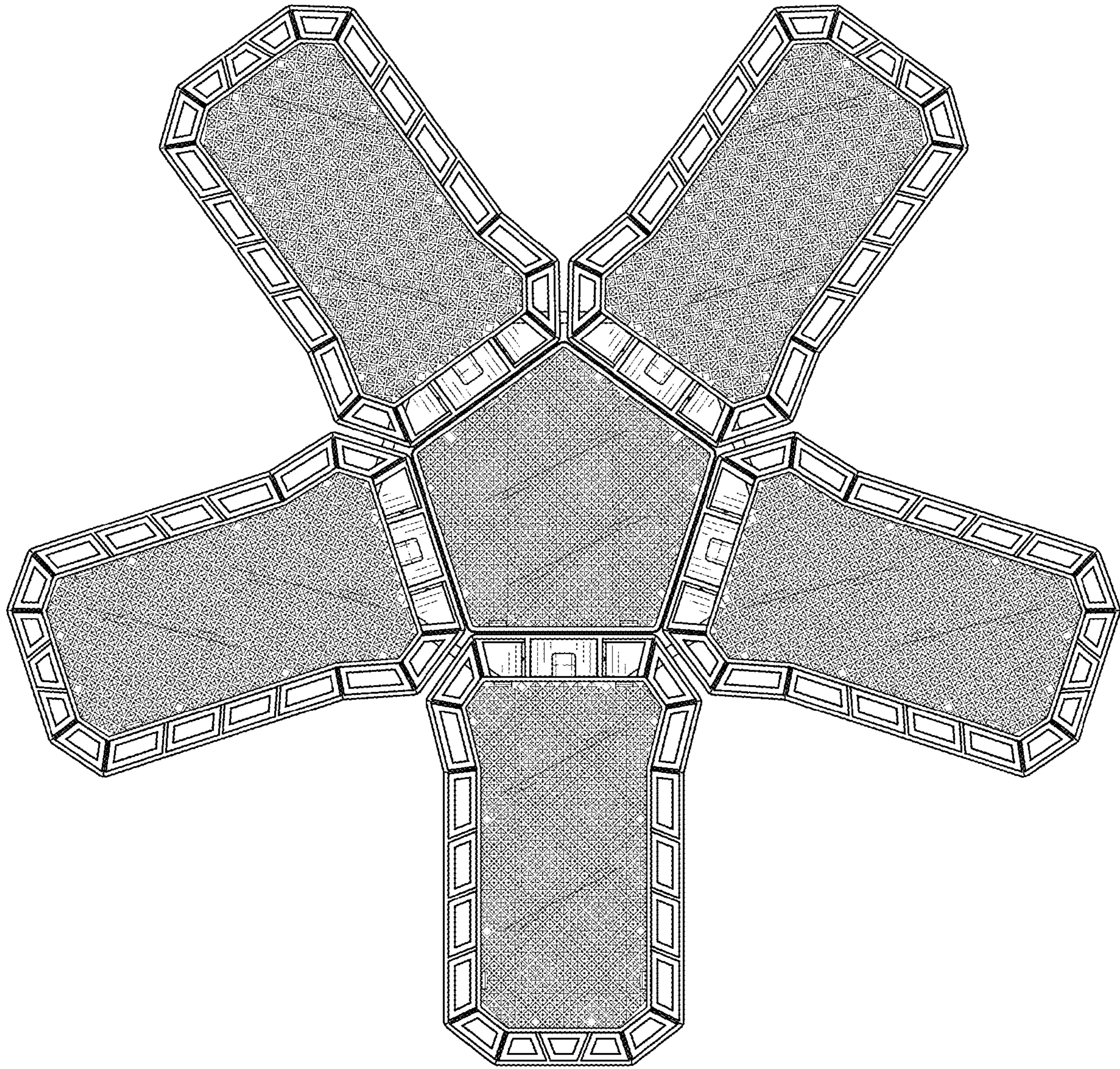


FIG. 3

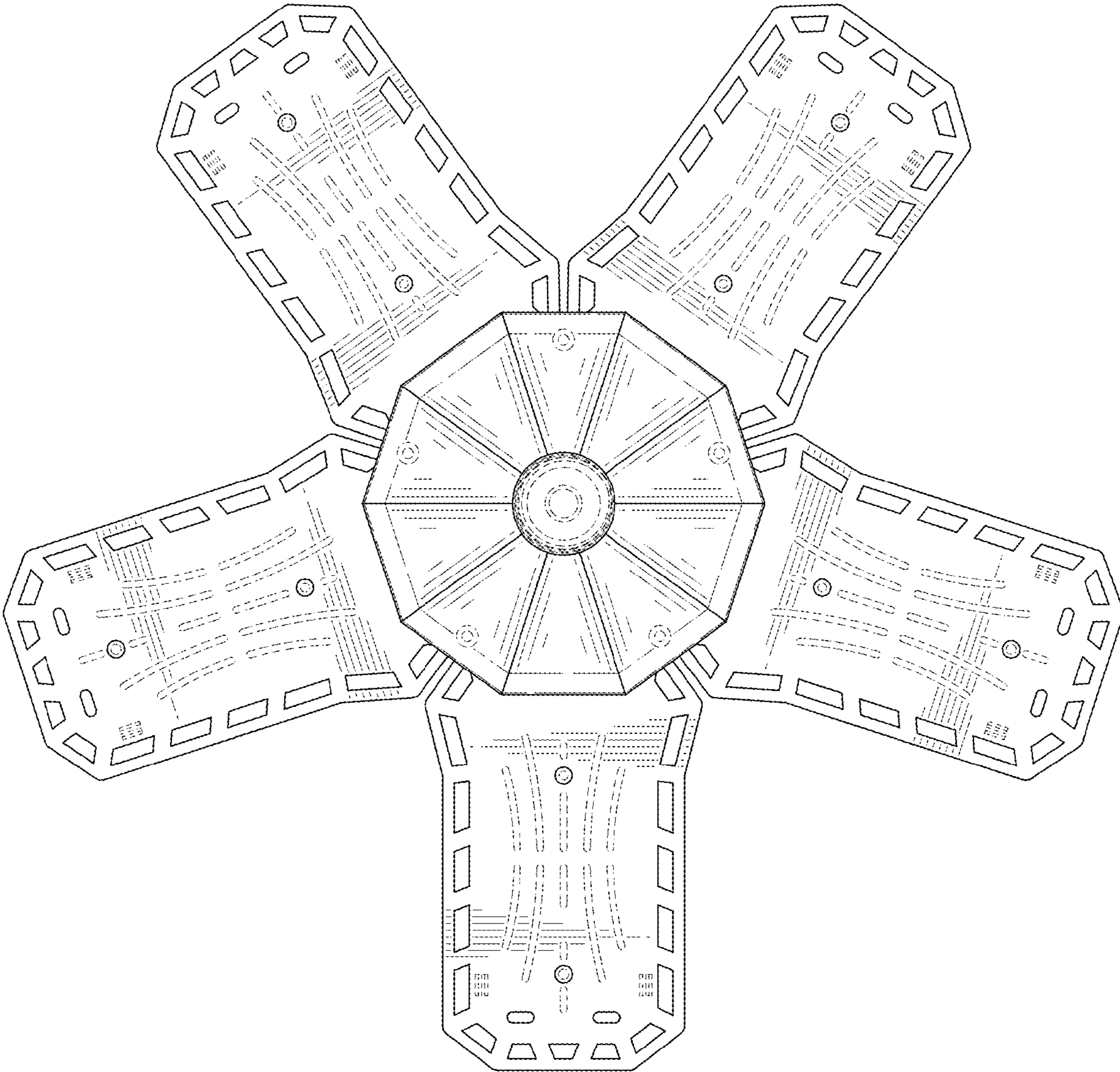


FIG. 4

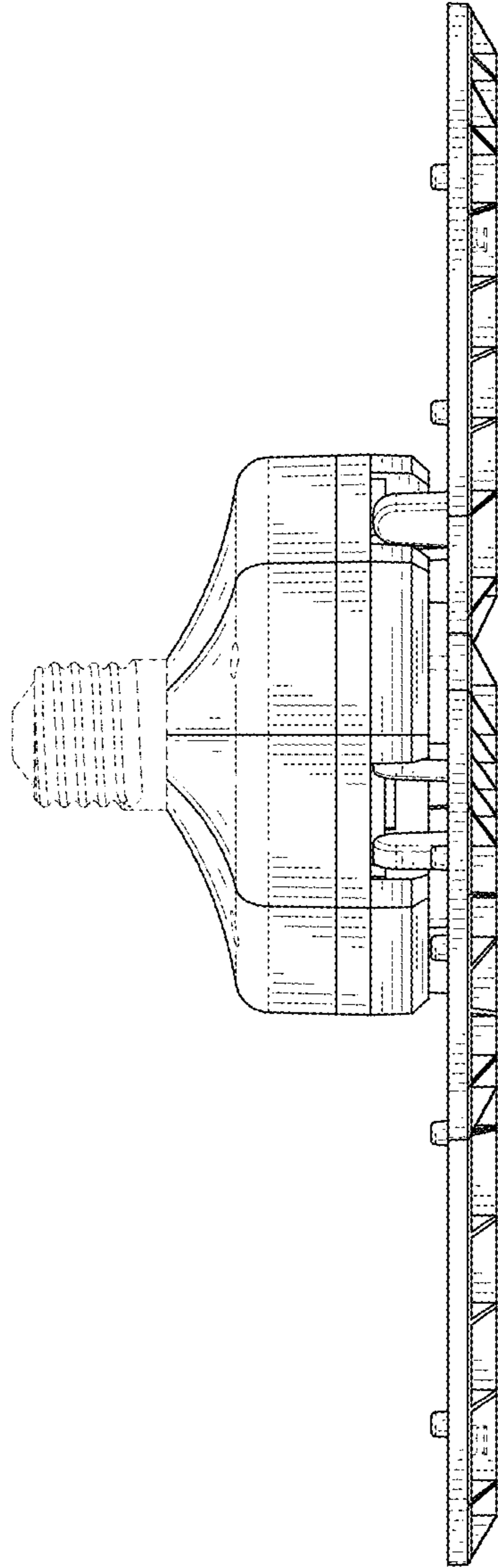


FIG. 5

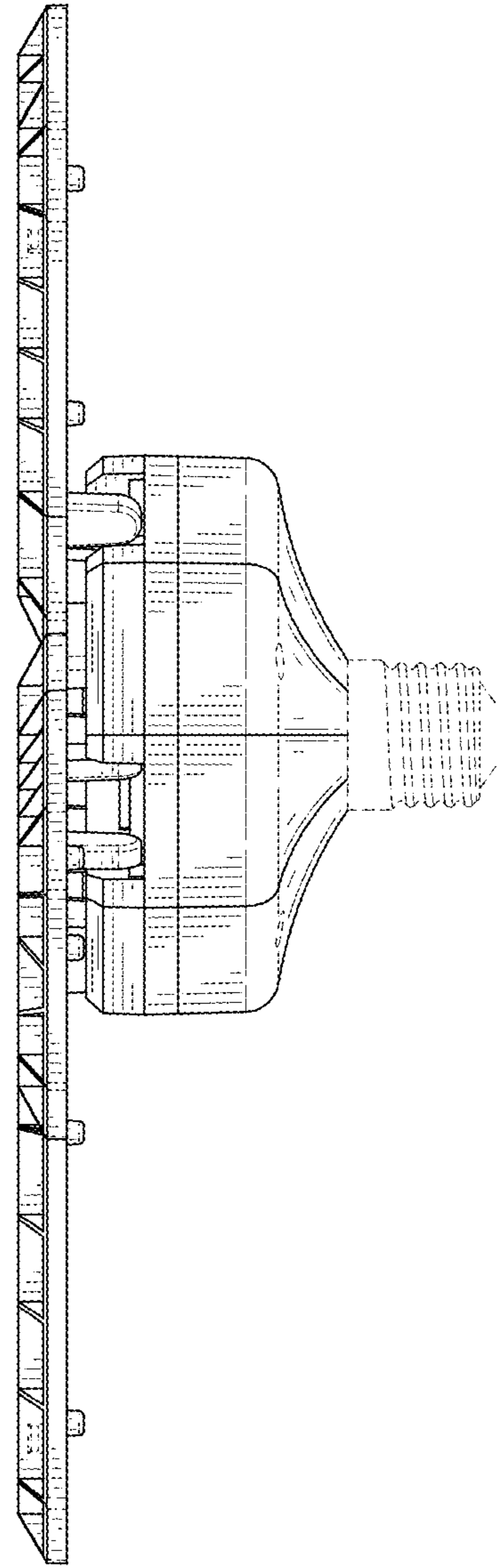


FIG. 6

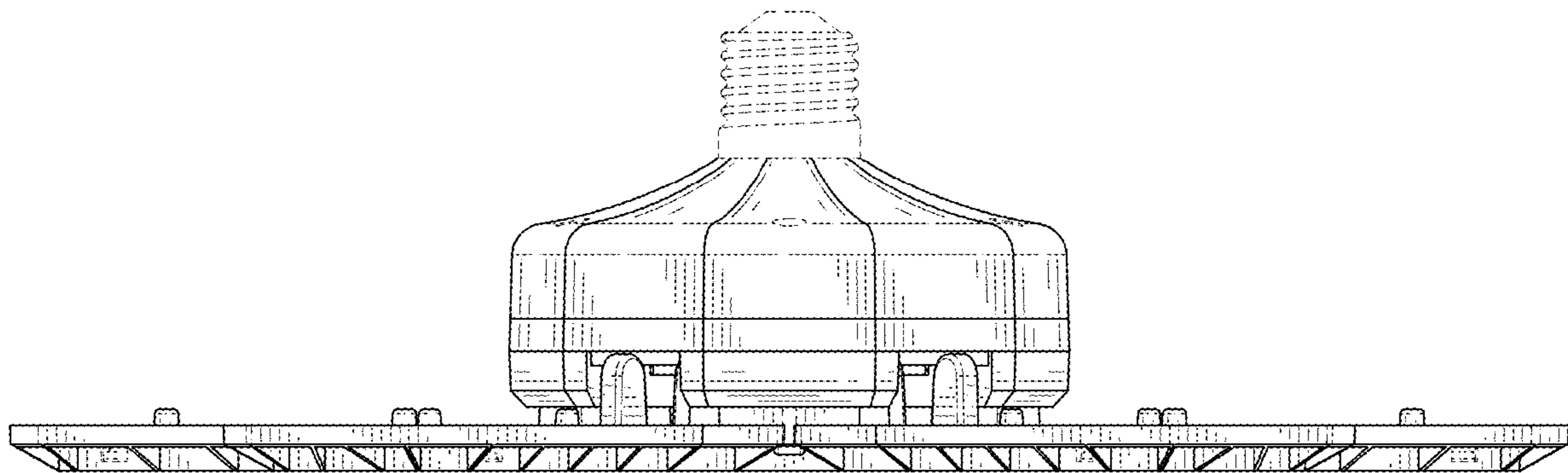


FIG. 7

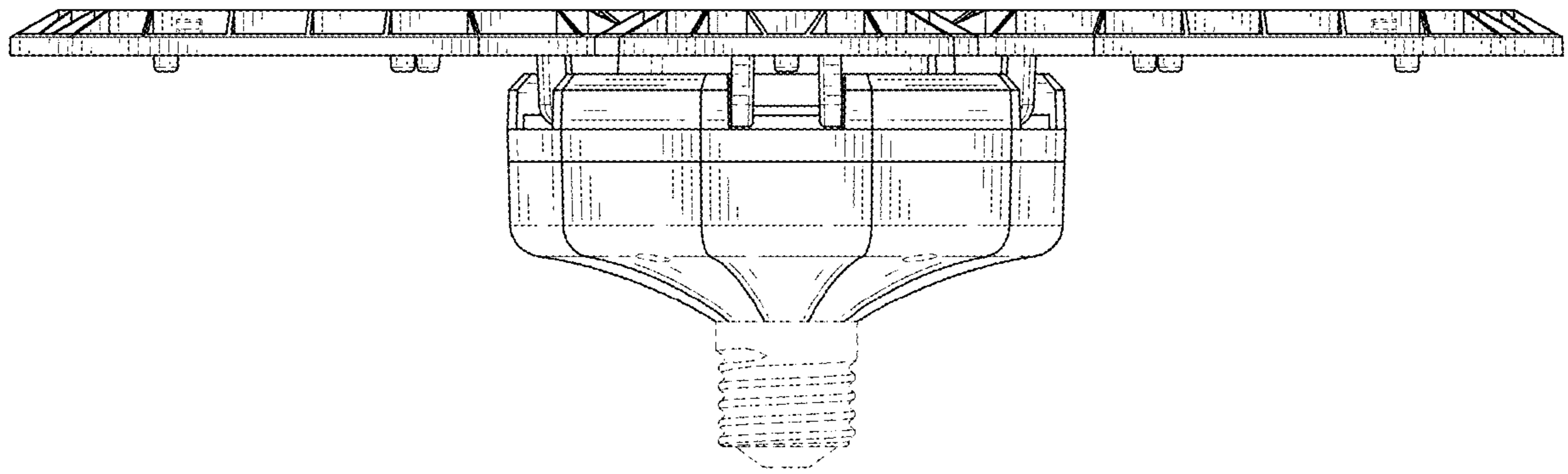


FIG. 8

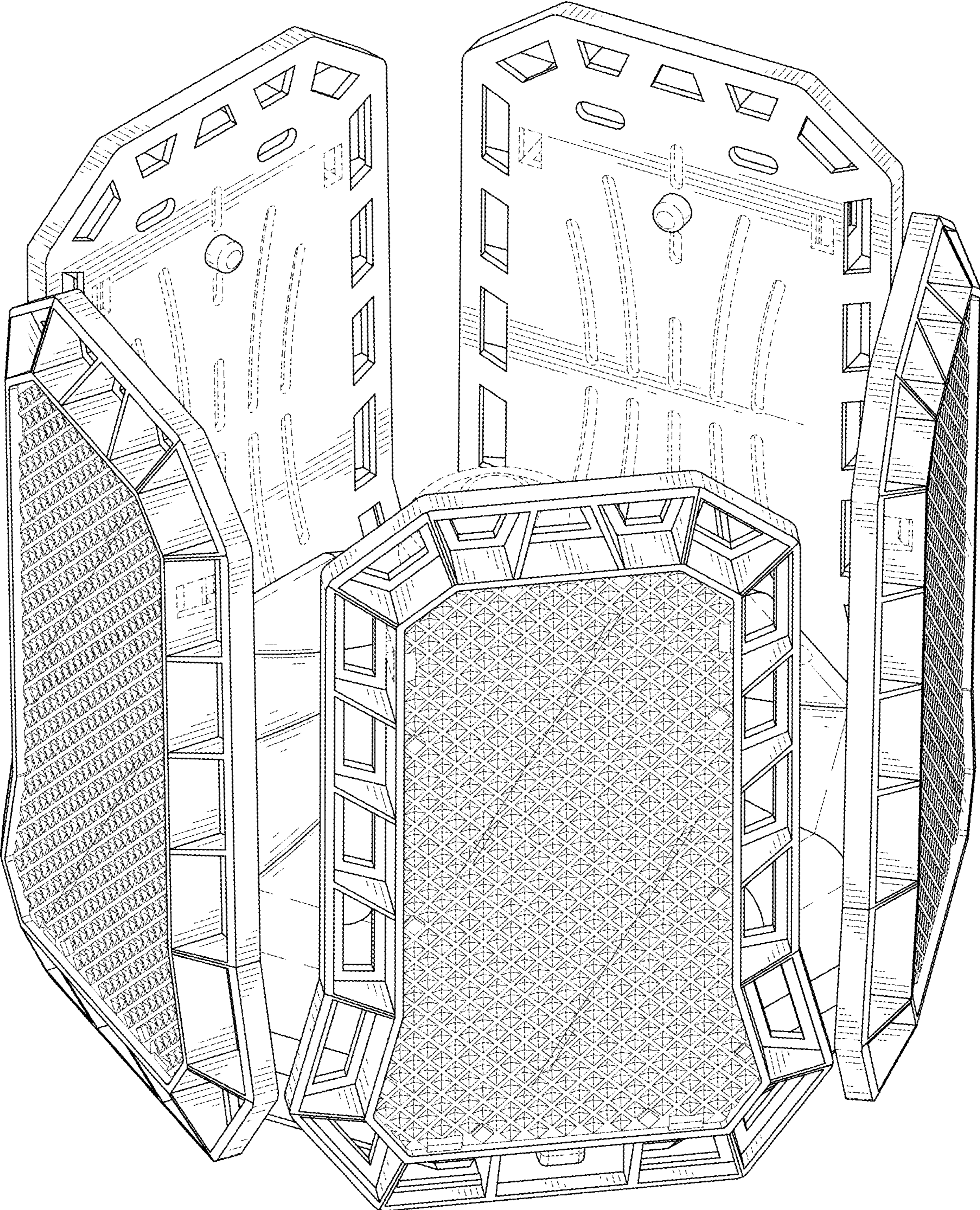


FIG. 9