



US00D988559S

(12) **United States Design Patent**
Rajasekaran

(10) **Patent No.:** **US D988,559 S**

(45) **Date of Patent:** **** Jun. 6, 2023**

(54) **SOLAR LIGHT**

(71) Applicant: **E. MISHAN & SONS, INC.**, New York, NY (US)

(72) Inventor: **Mohan Rajasekaran**, Watertown, CT (US)

(73) Assignee: **E. MISHAN & SONS, INC.**, New York, NY (US)

(**) Term: **15 Years**

(21) Appl. No.: **29/795,249**

(22) Filed: **Jun. 17, 2021**

(51) **LOC (14) Cl.** **26-05**

(52) **U.S. Cl.**
USPC **D26/65**

(58) **Field of Classification Search**
USPC D26/24, 37, 61, 63-65, 72, 93, 106, 107, D26/85, 120
CPC .. F21S 6/002; F21S 6/003; F21S 8/003; F21S 8/04; F21S 8/033; F21S 9/03; F21S 9/032; F21L 13/00; F21L 4/00
See application file for complete search history.

(56) **References Cited**

U.S. PATENT DOCUMENTS

D158,360 S *	5/1950	Davis	D13/116
D214,939 S *	8/1969	Arrigoni	D25/143
D530,036 S *	10/2006	Strycker	D13/102
D584,440 S *	1/2009	Allen	D26/82
9,046,231 B2 *	6/2015	Christ	F21V 23/0414
D759,291 S *	6/2016	Chen	D26/120

(Continued)

OTHER PUBLICATIONS

“Bzdzmqm” reference by Save 50% Sales Clearance Items Amazon Store on Amazon.com, date unavailable, site visited Mar. 13, 2023,

available from internet URL: <https://www.amazon.com/Bzdzmqm-Outdoor-Ultra-Bright-Waterproof-Security/dp/B0BN7X54FT> (Year: 2023).*

(Continued)

Primary Examiner — Richard Kearney

Assistant Examiner — Liv C Anderson

(74) *Attorney, Agent, or Firm* — Notaro, Michalos & Zaccaria P.C.

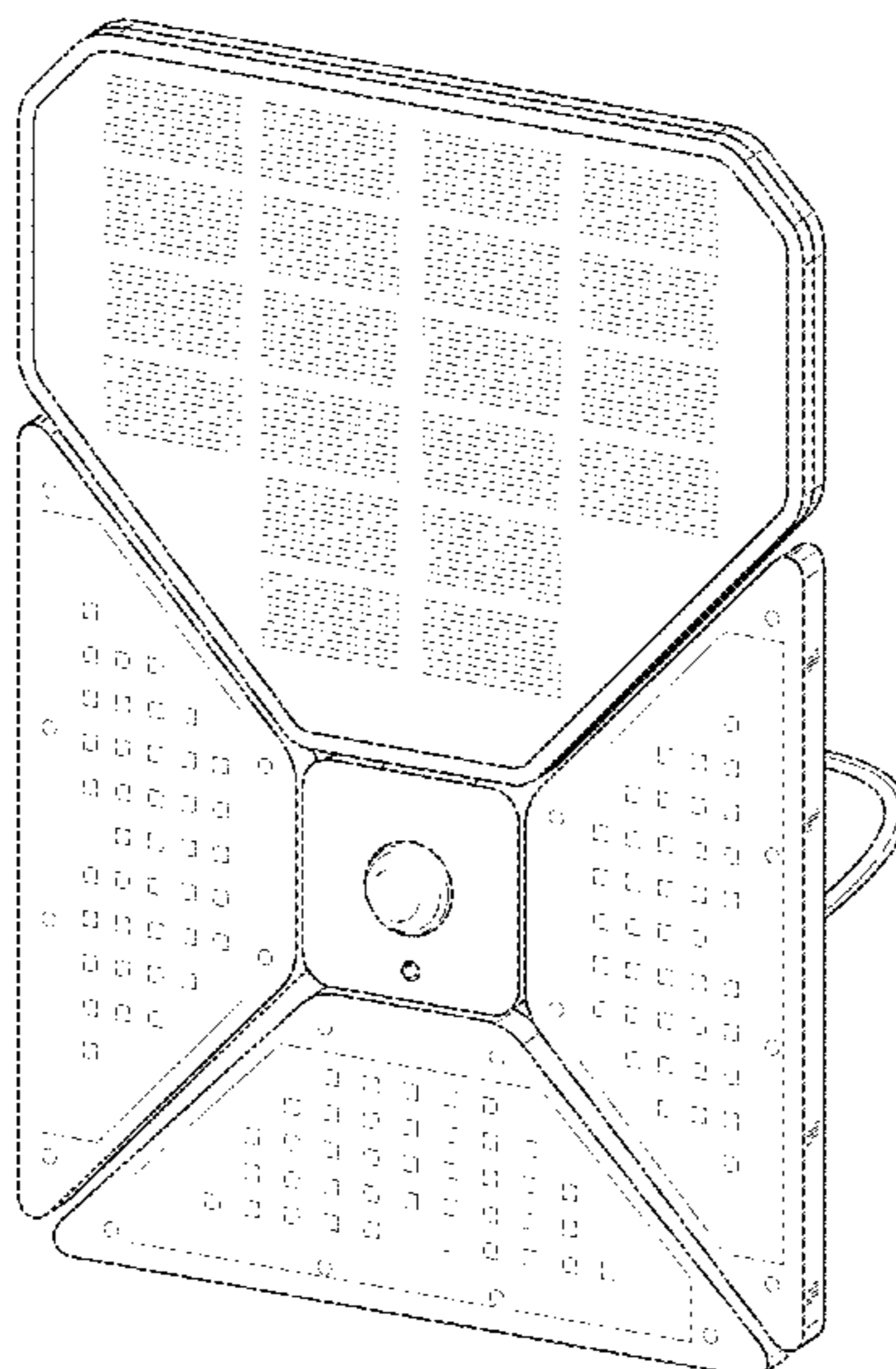
(57) **CLAIM**

The ornamental design for a solar light, as shown and described.

DESCRIPTION

FIG. 1 is a top, front, left perspective view of a first embodiment of a solar light showing my design; FIG. 2 is a front elevational view thereof; FIG. 3 is a rear elevational view thereof; FIG. 4 is a left side elevational view thereof; FIG. 5 is a right side elevational view thereof; FIG. 6 is a top plan view thereof; FIG. 7 is a bottom plan view thereof; FIG. 8 is a top, front, left perspective view of a second embodiment of a solar light showing my design; FIG. 9 is a front elevational view thereof; FIG. 10 is a rear elevational view thereof; FIG. 11 is a left side elevational view thereof; FIG. 12 is a right side elevational view thereof; FIG. 13 is a top plan view thereof; FIG. 14 is a bottom plan view thereof; FIG. 15 is a top, front, left perspective view of a third embodiment of a solar light showing my design; FIG. 16 is a front elevational view thereof; FIG. 17 is a rear elevational view thereof; FIG. 18 is a left elevational view thereof; FIG. 19 is a right elevational view thereof; FIG. 20 is a top plan view thereof; and, FIG. 21 is a bottom plan view thereof. The broken lines represent portions of the solar light and form no part of the claimed design.

1 Claim, 21 Drawing Sheets



(56)

References Cited

U.S. PATENT DOCUMENTS

D776,321	S	*	1/2017	Saboo	D26/63
D840,073	S	*	2/2019	Bian	D26/37
D851,807	S	*	6/2019	Wu	D26/85
D882,159	S	*	4/2020	Laakkio	D26/120
D889,015	S	*	6/2020	Li	D26/2
D905,890	S	*	12/2020	Liu	D26/74
D931,518	S	*	9/2021	Mier-Langner	D26/120
D942,664	S	*	2/2022	Xie	D26/72
D951,504	S	*	5/2022	Chen	D26/37
11,365,854	B1	*	6/2022	Rajasekaran	F21V 21/0824
D965,190	S	*	9/2022	Zhao	D26/65
D970,801	S	*	11/2022	Chen	D26/138
2014/0268830	A1	*	9/2014	Boyer	F21V 19/005 362/382

OTHER PUBLICATIONS

“Solar” reference by BillionsQun on Amazon.com, date first available Oct. 12, 2021 [online], site visited 03/13/0223, available from internet URL: <https://www.amazon.com/Outdoor-Solares-Exteriores-Waterproof-Security/dp/B09J8MQ1VJ> (Year: 2021).*

* cited by examiner

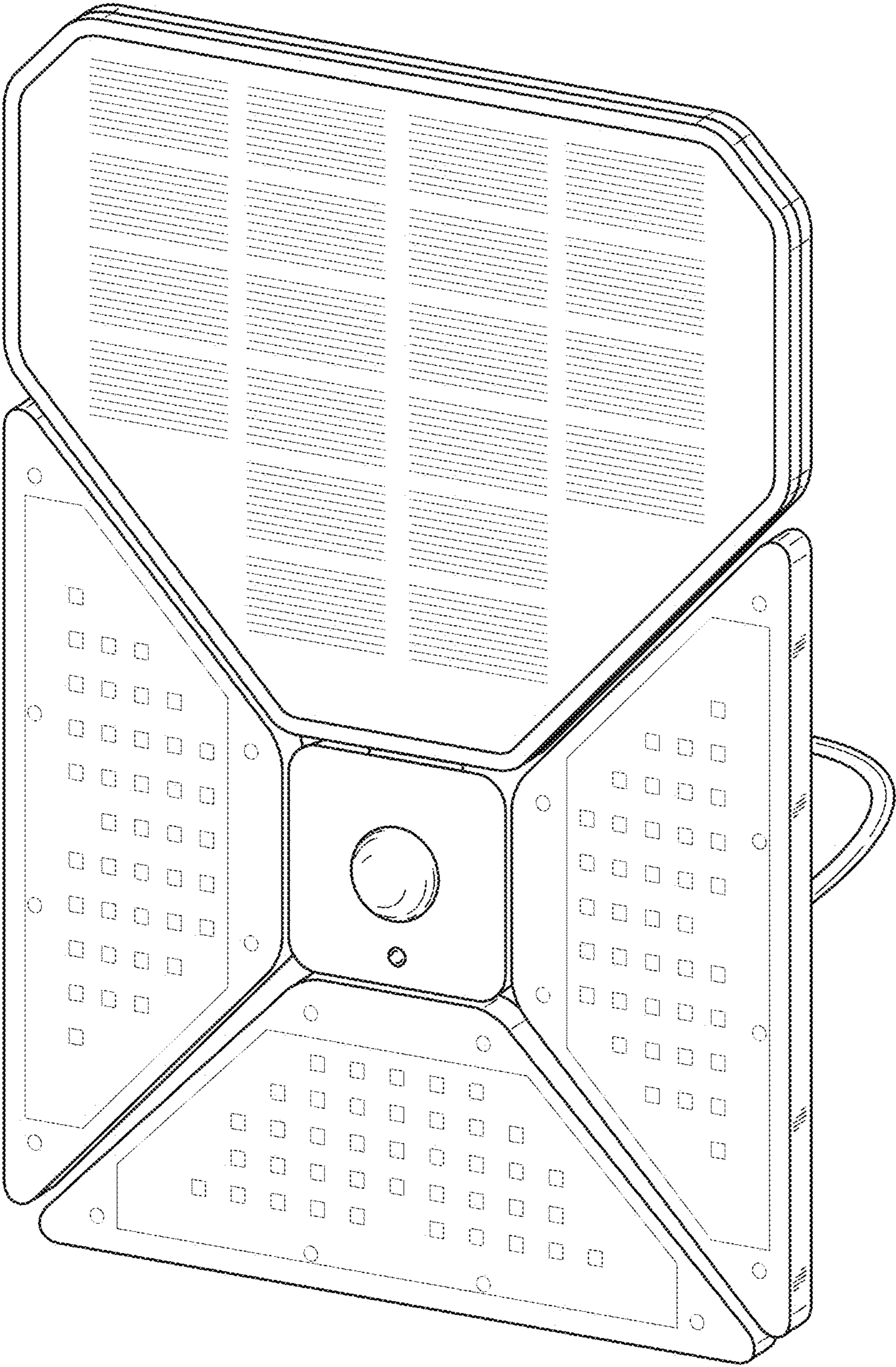


FIG. 1

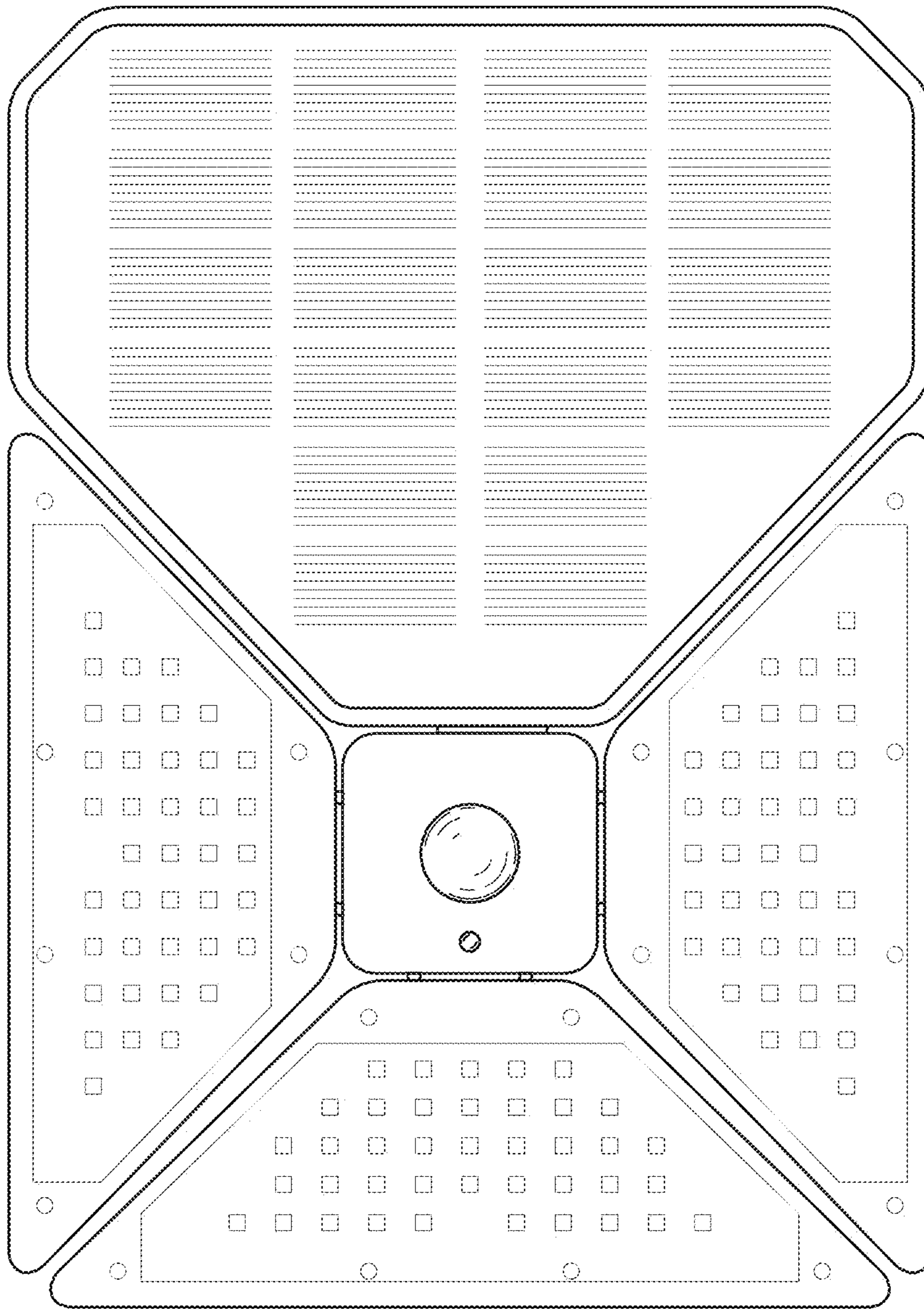


FIG. 2

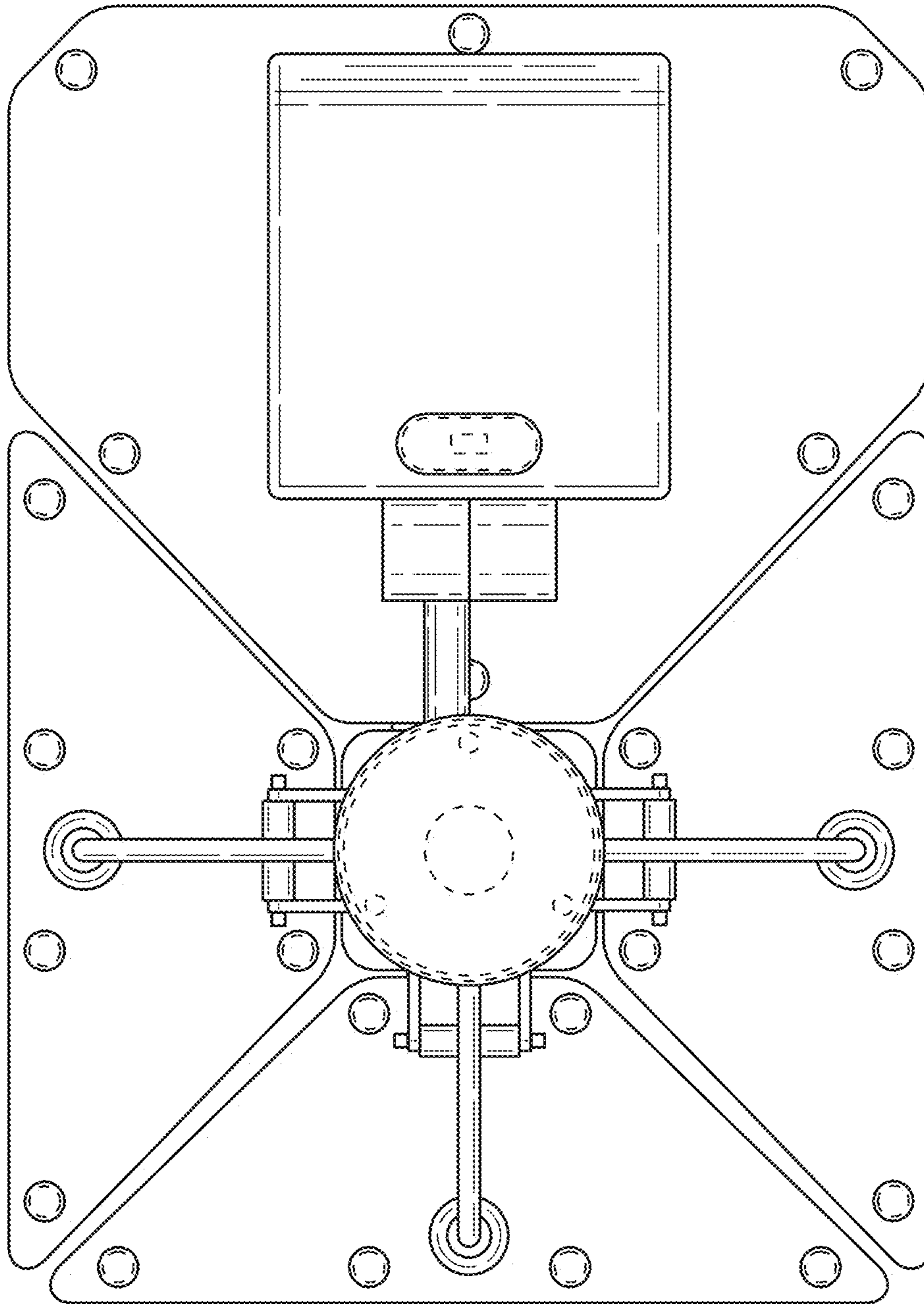


FIG. 3

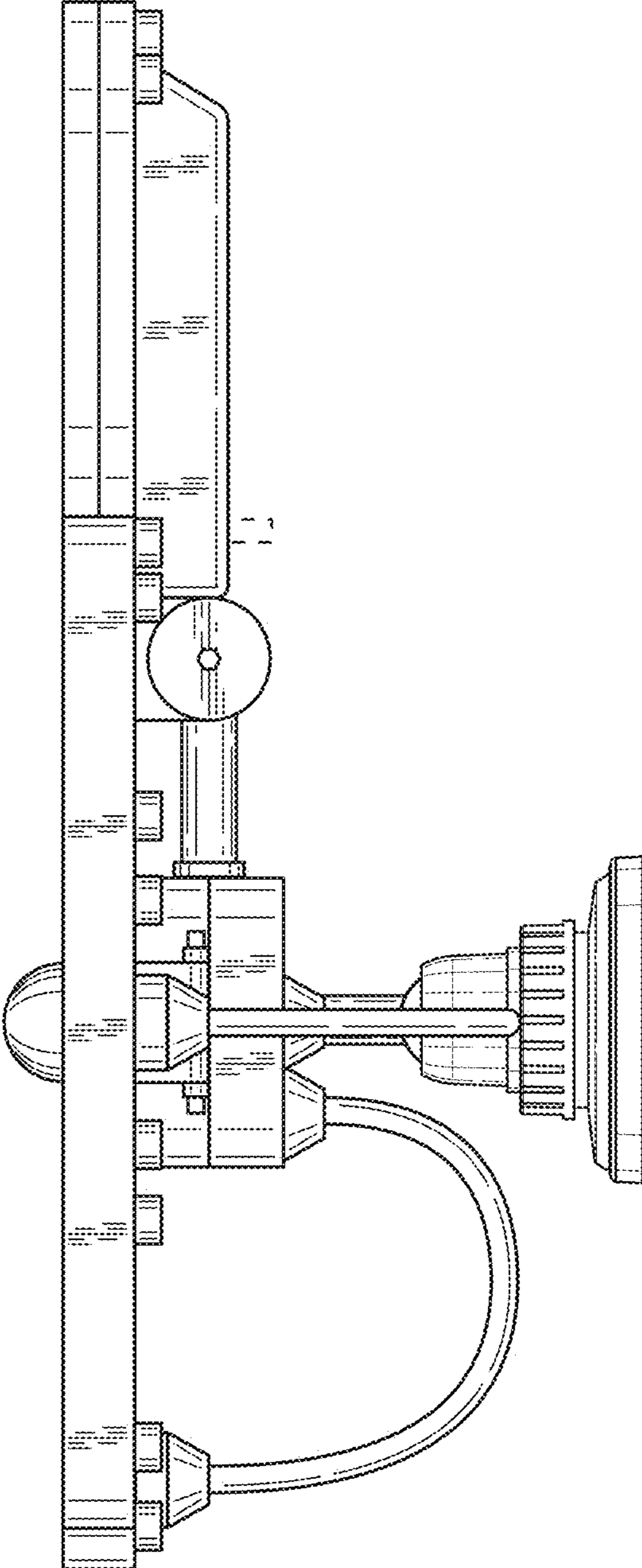


FIG. 4

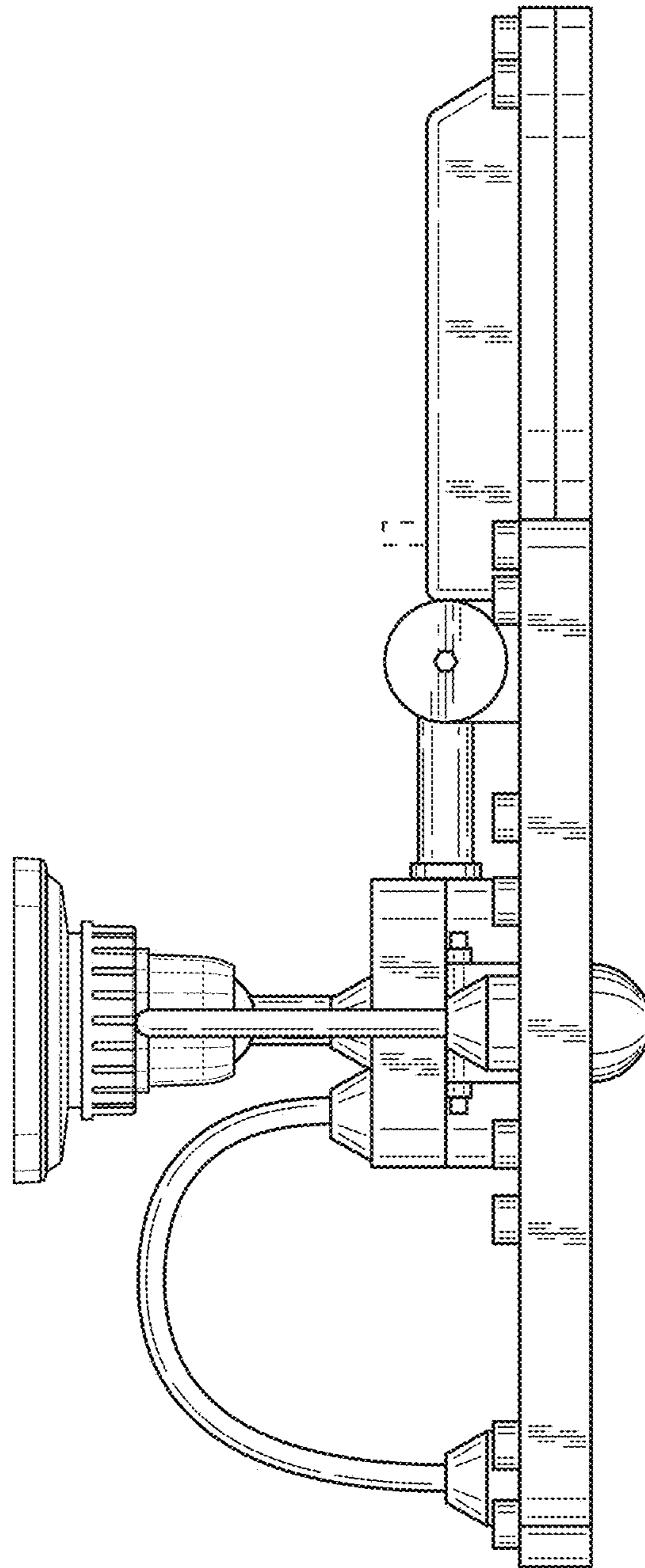


FIG. 5

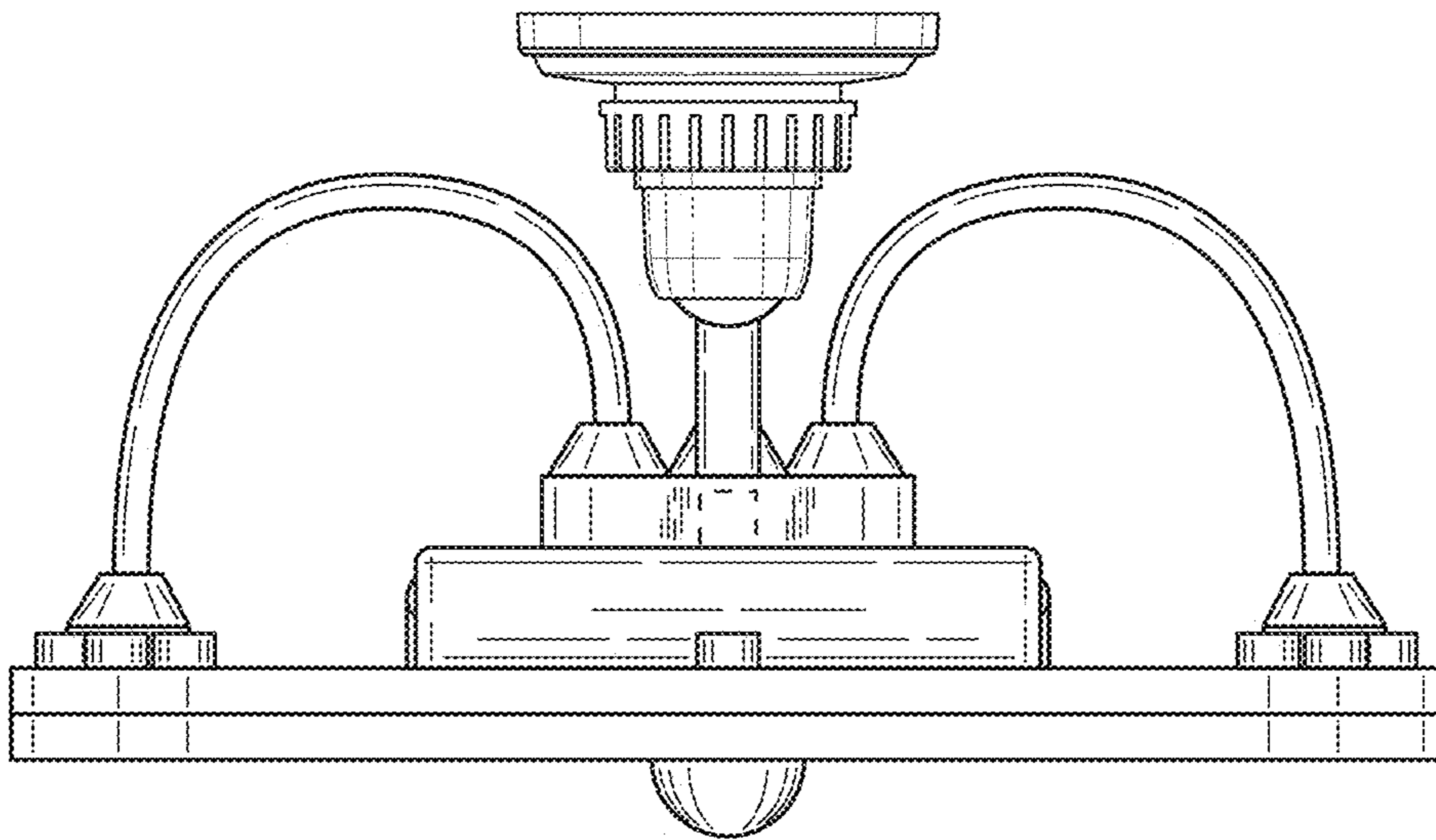


FIG. 6

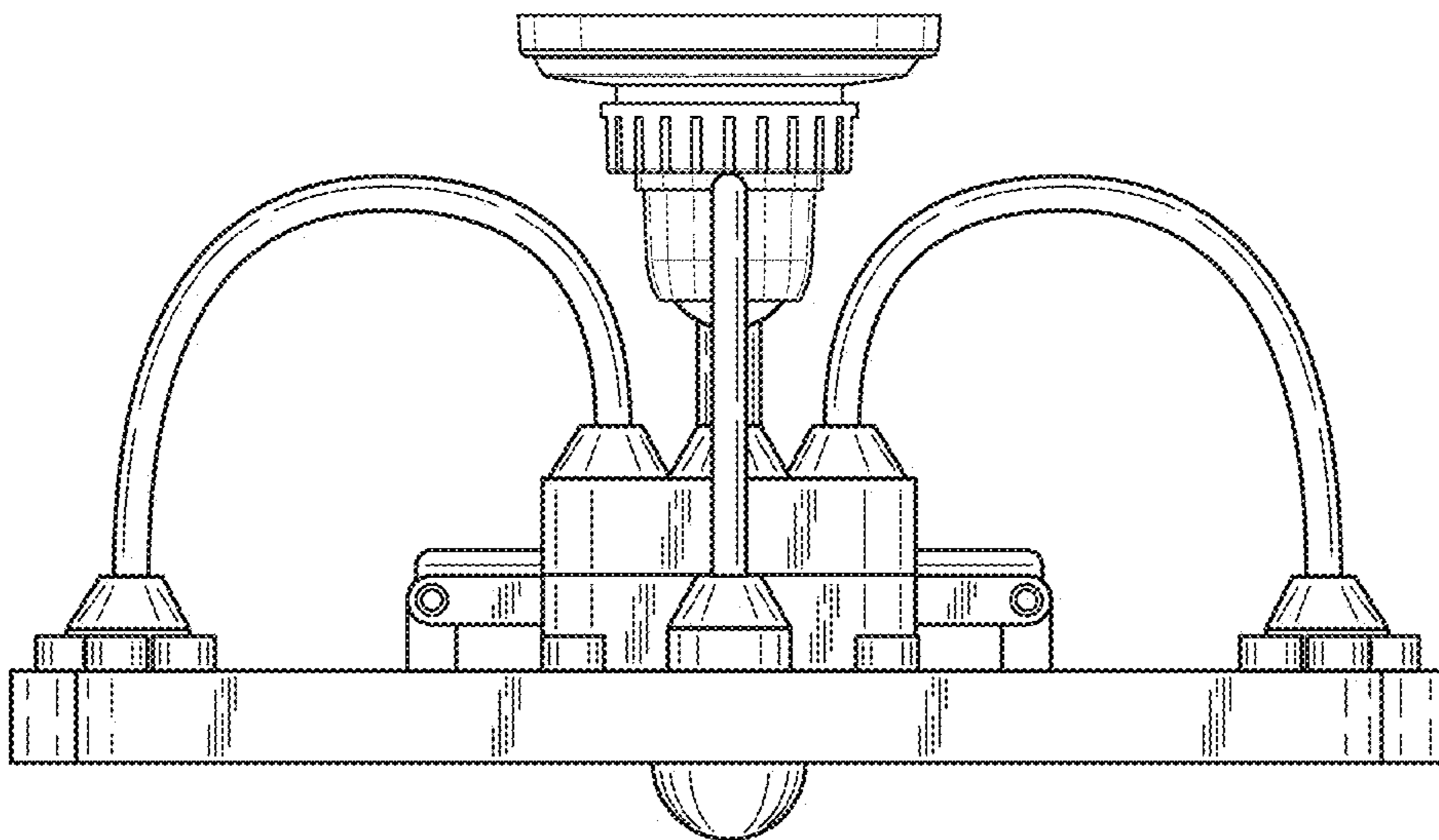


FIG. 7

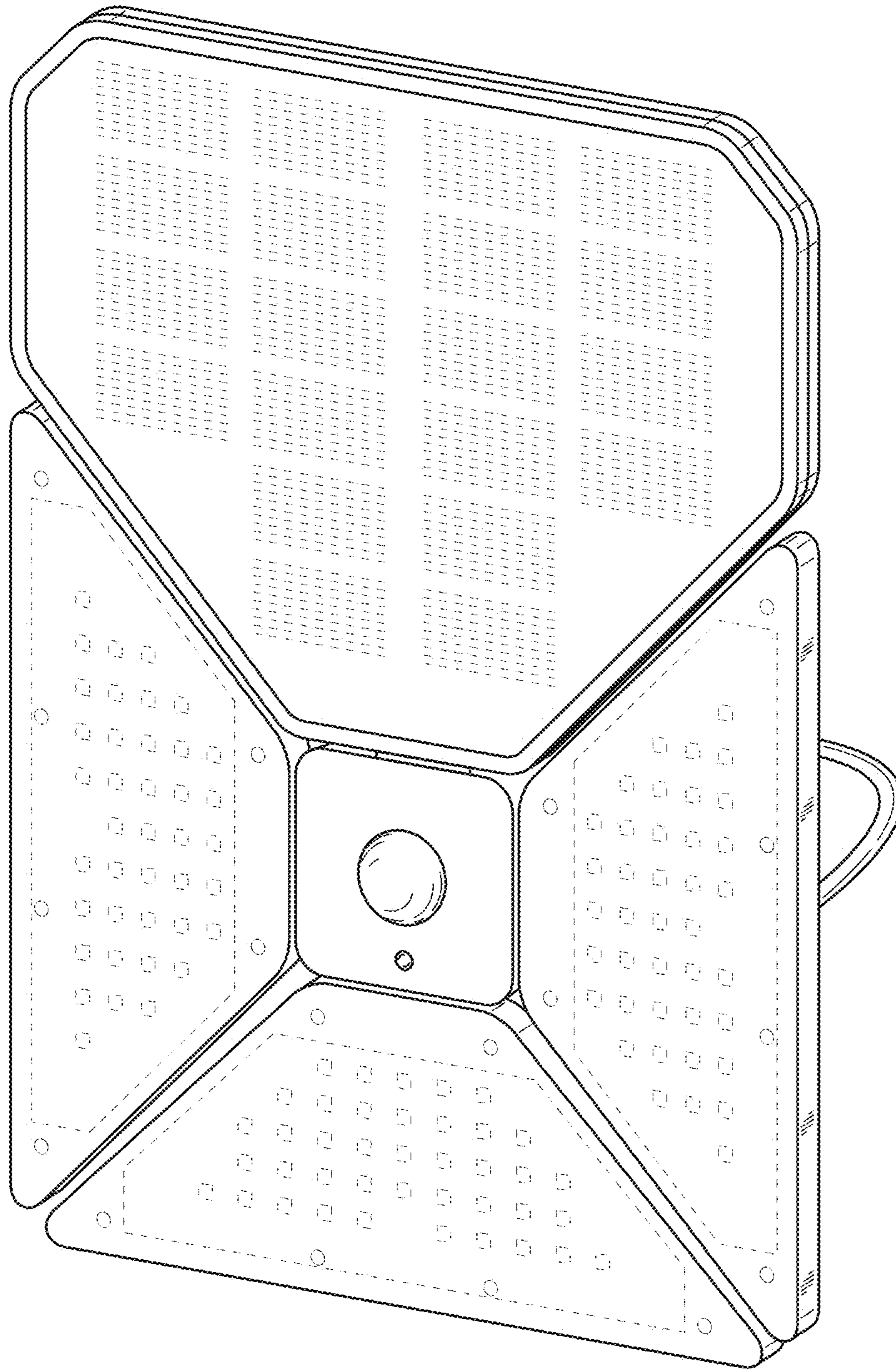


FIG. 8

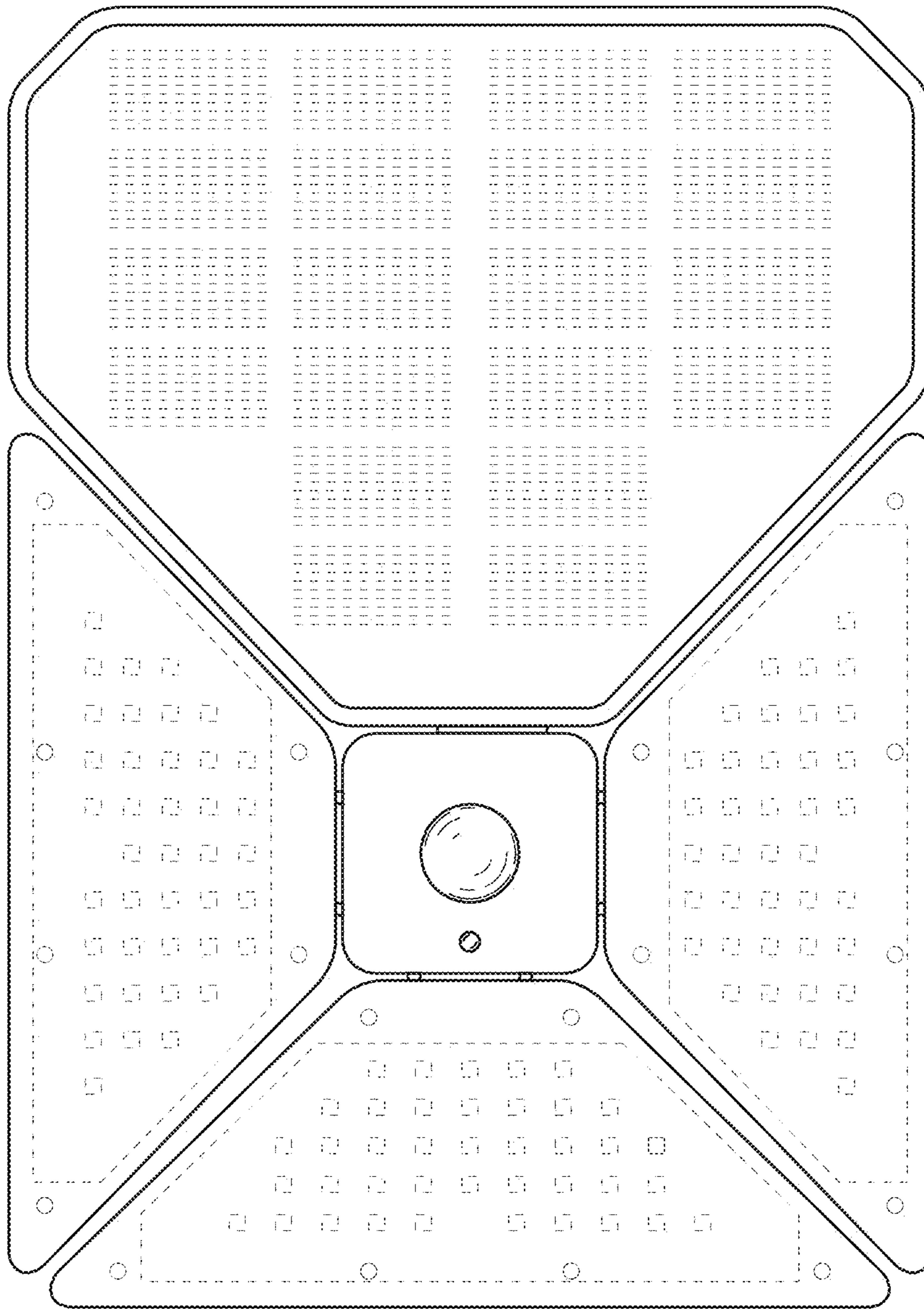


FIG. 9

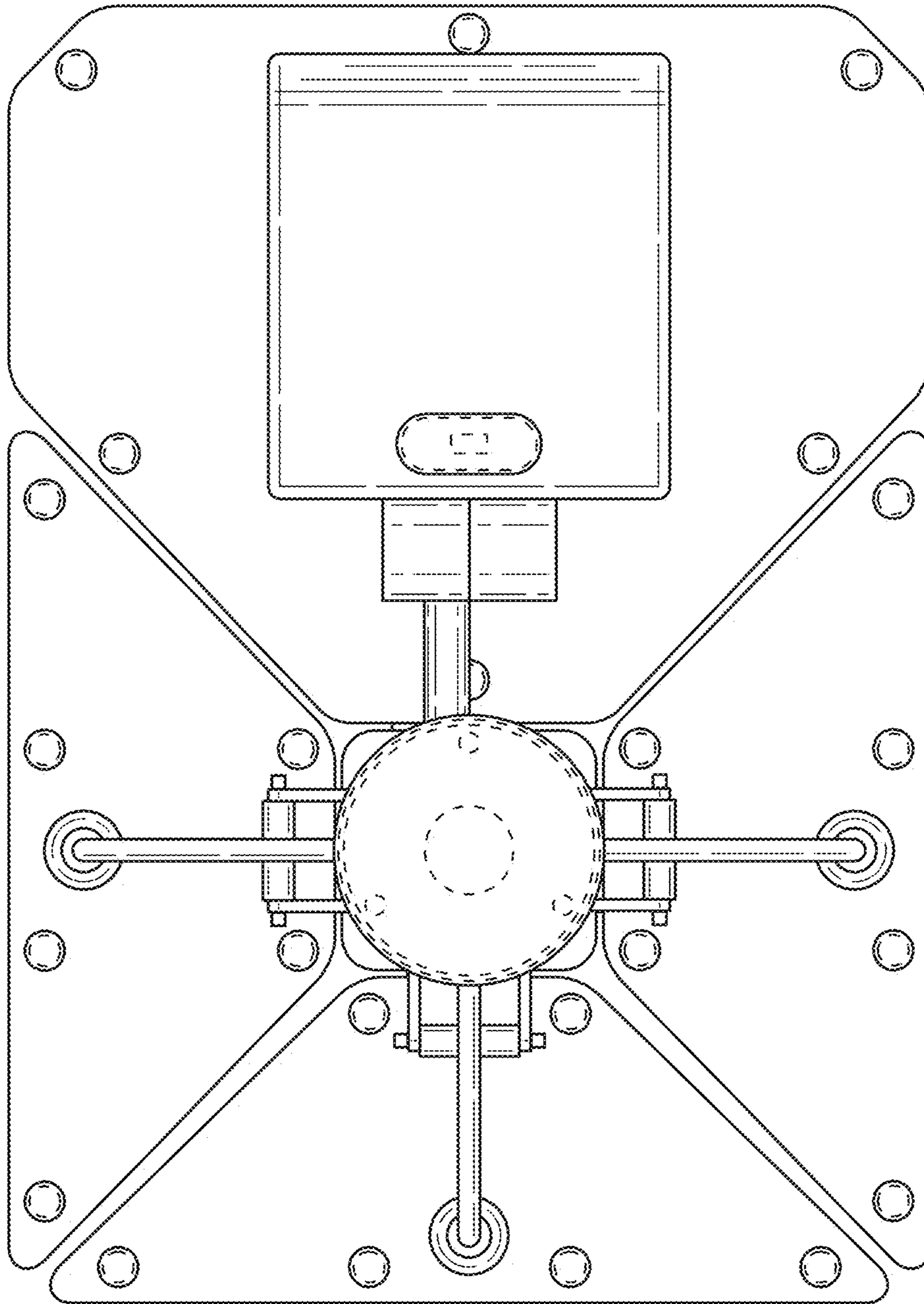


FIG. 10

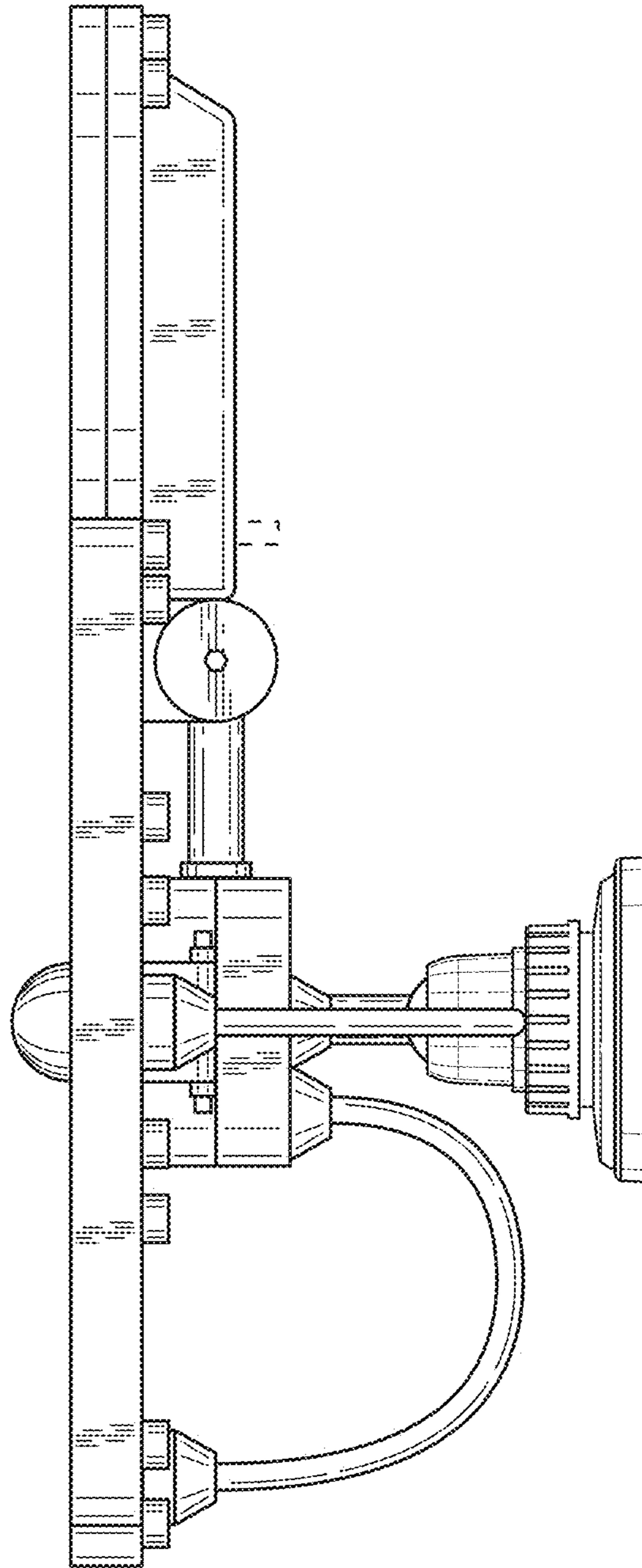


FIG. 11

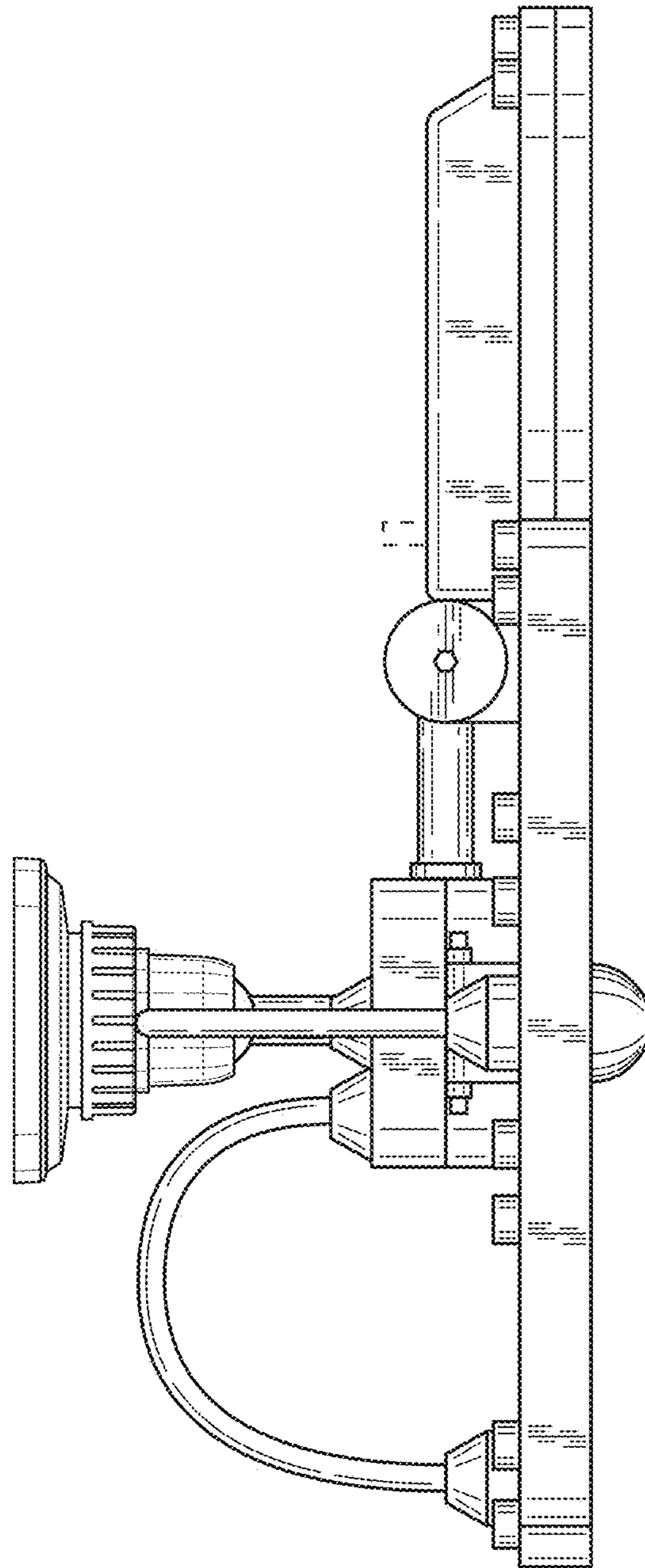


FIG. 12

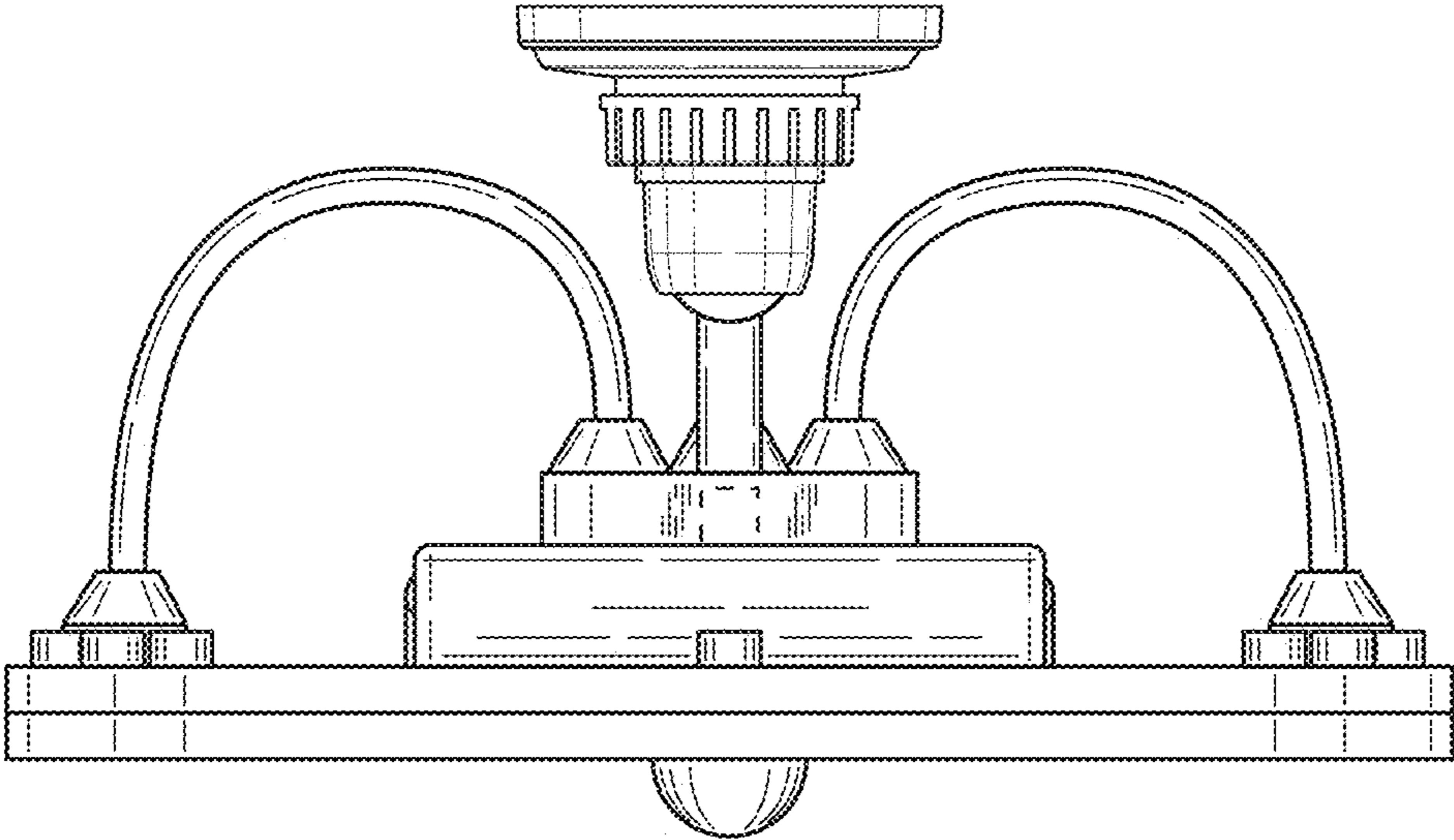


FIG. 13

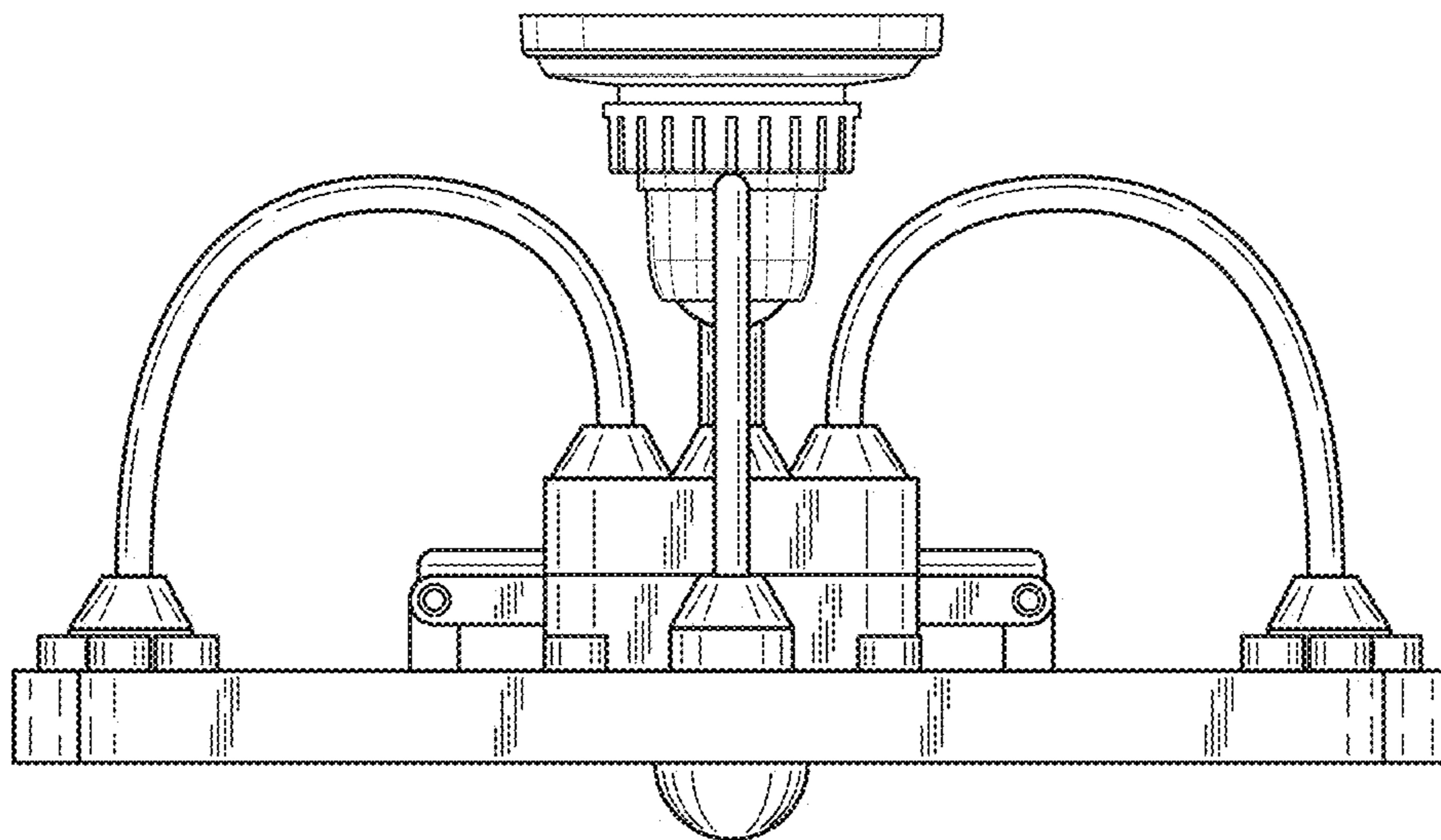


FIG. 14

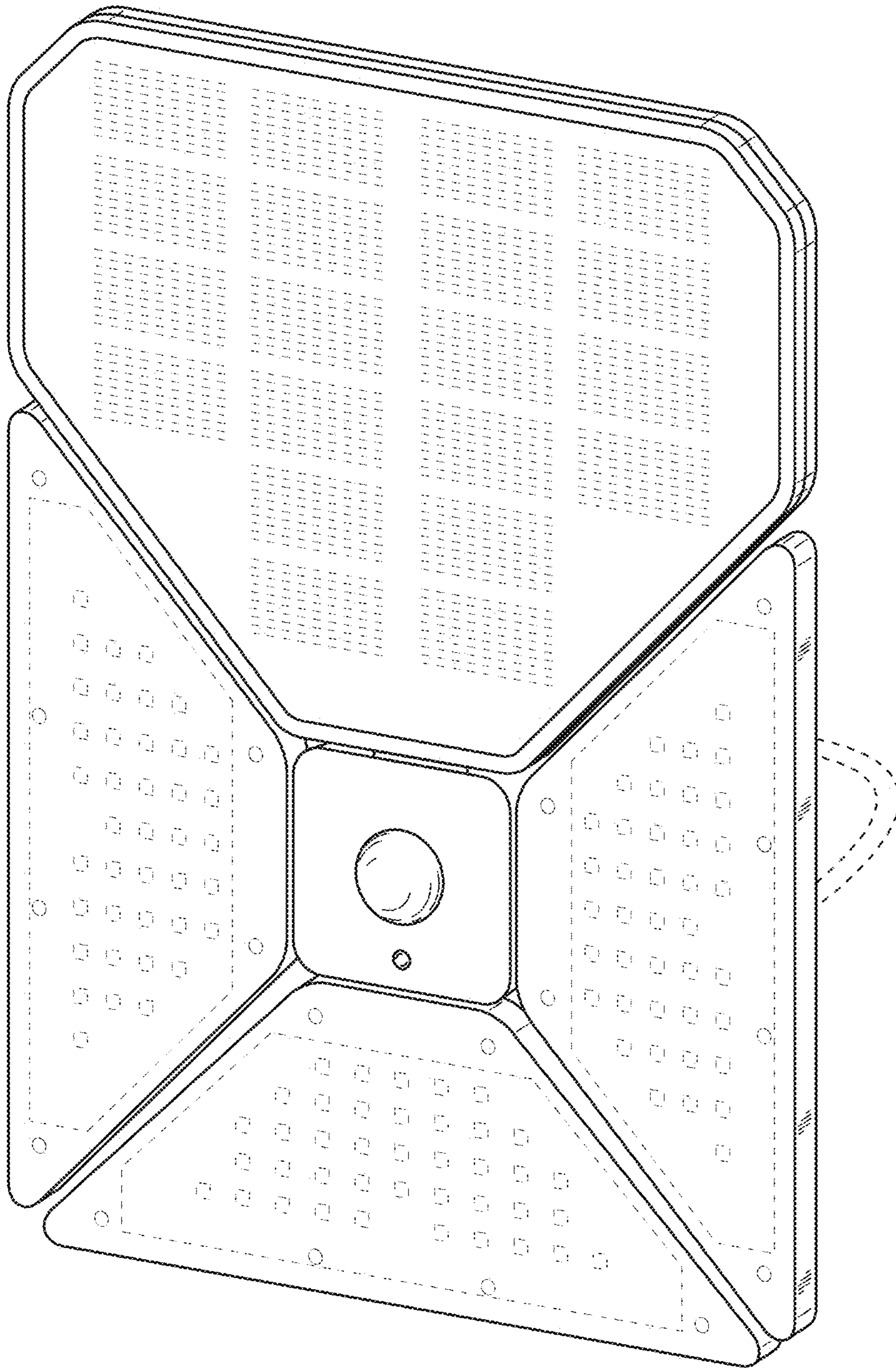


FIG. 15

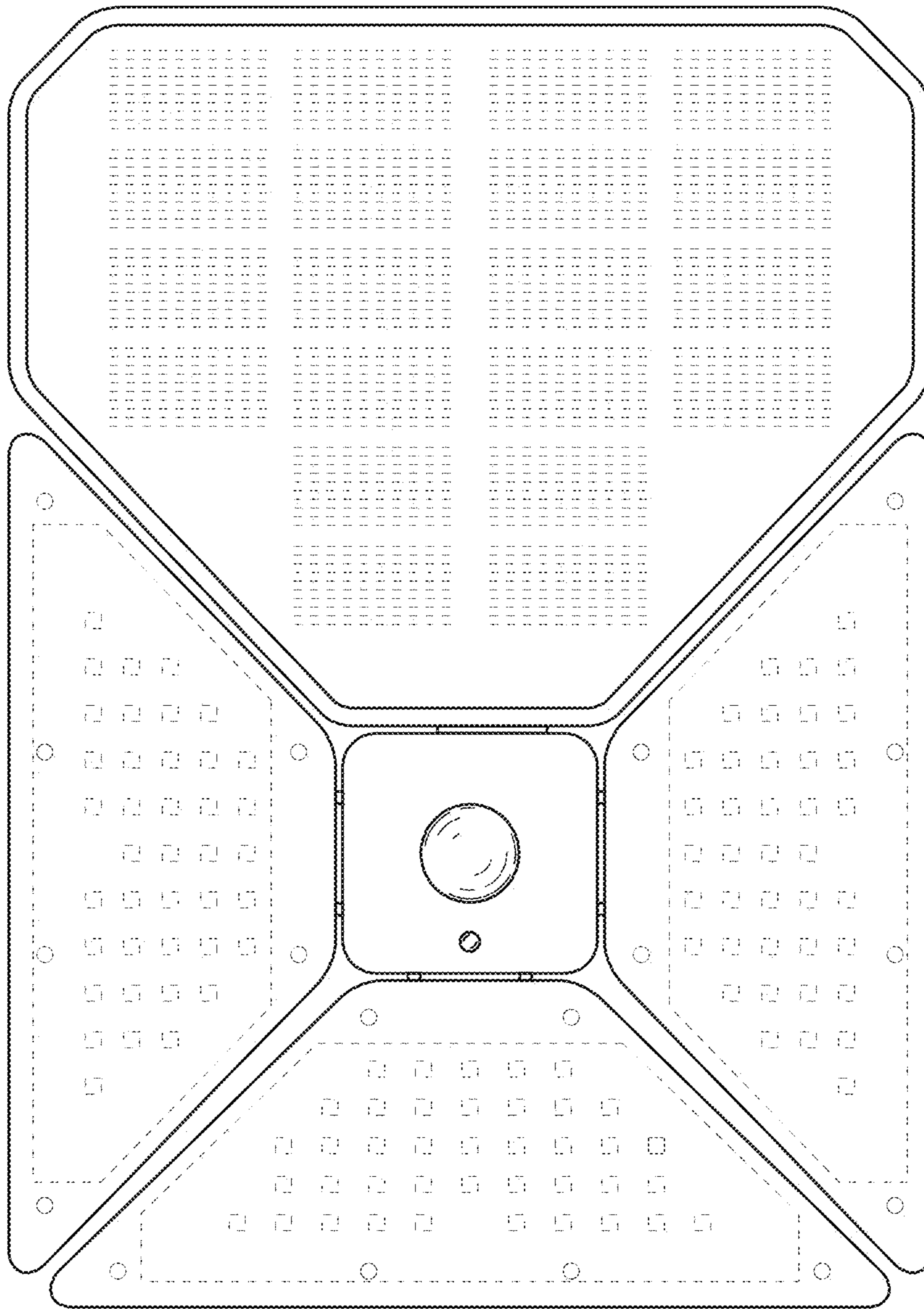


FIG. 16

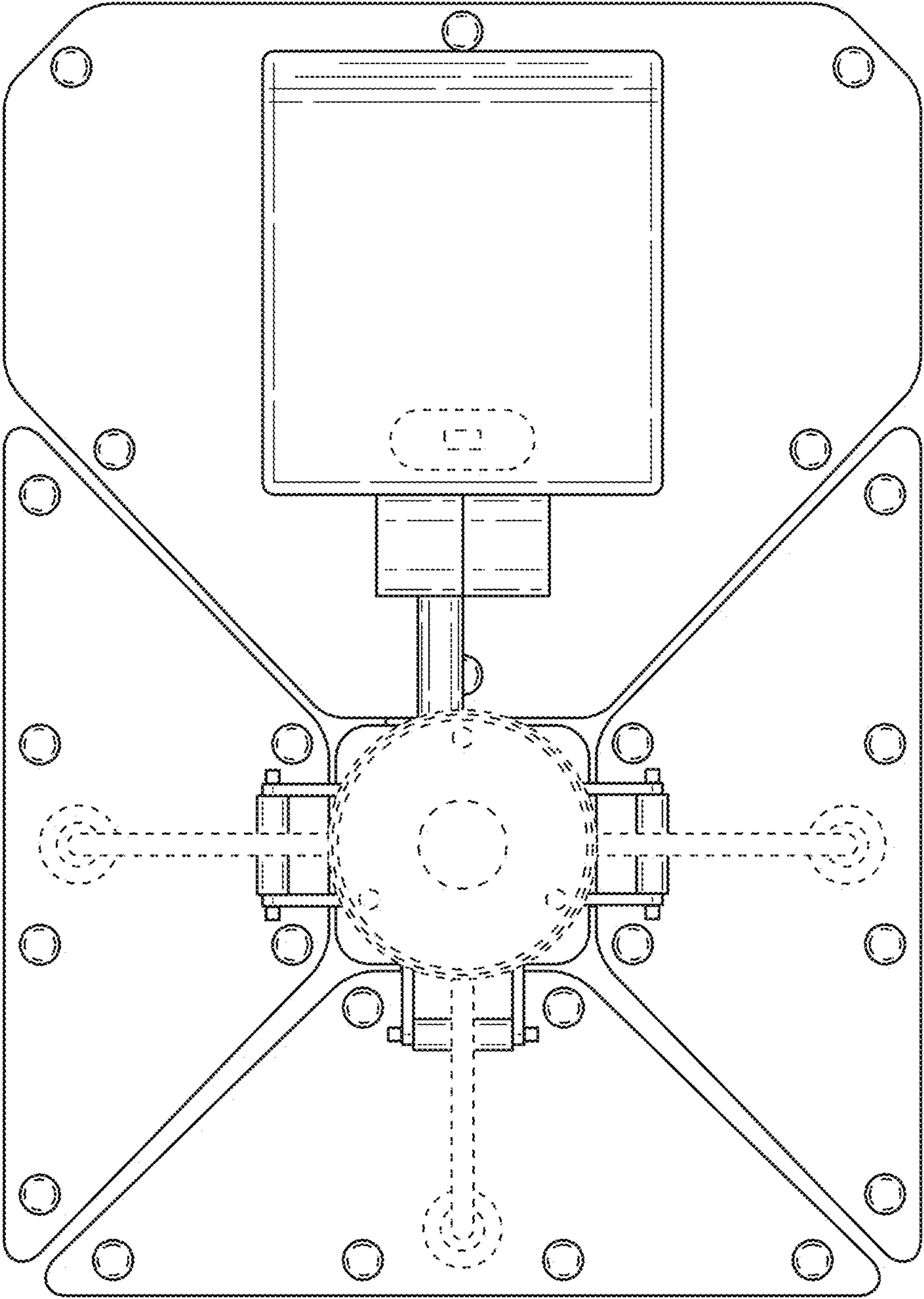


FIG. 17

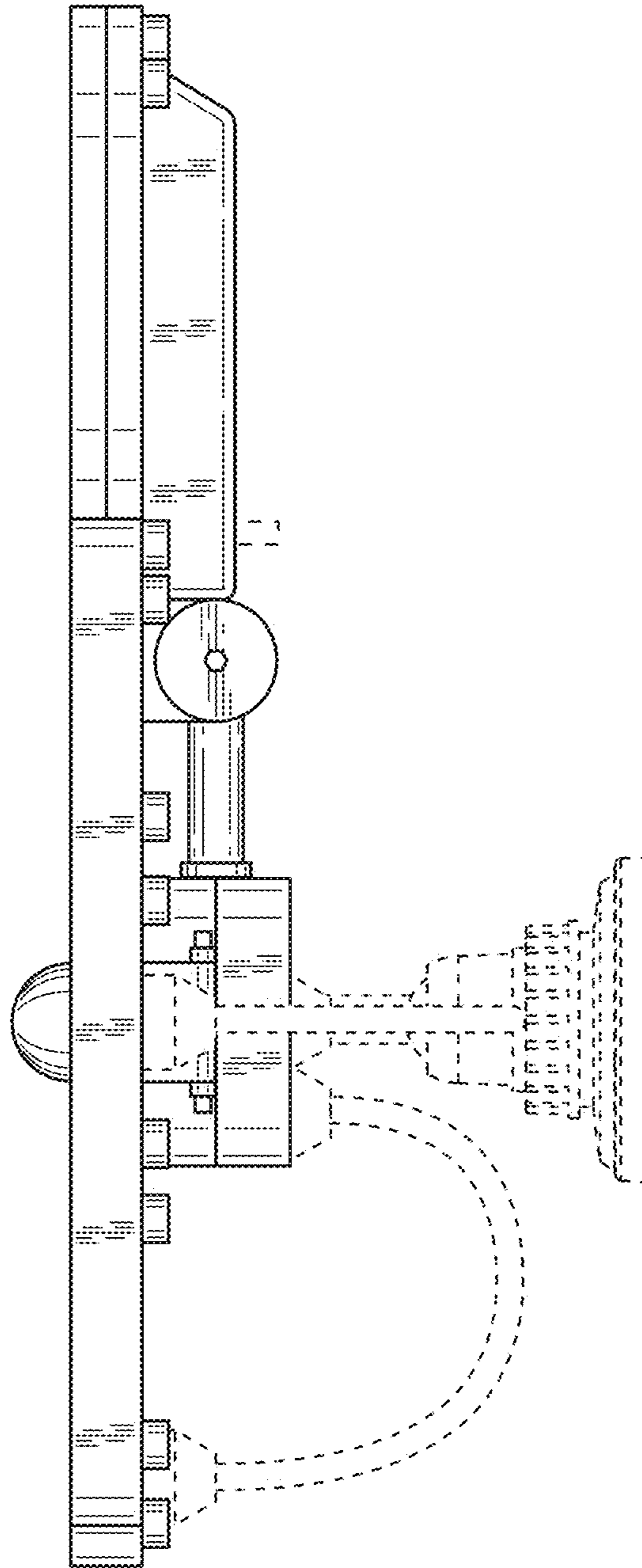


FIG. 18

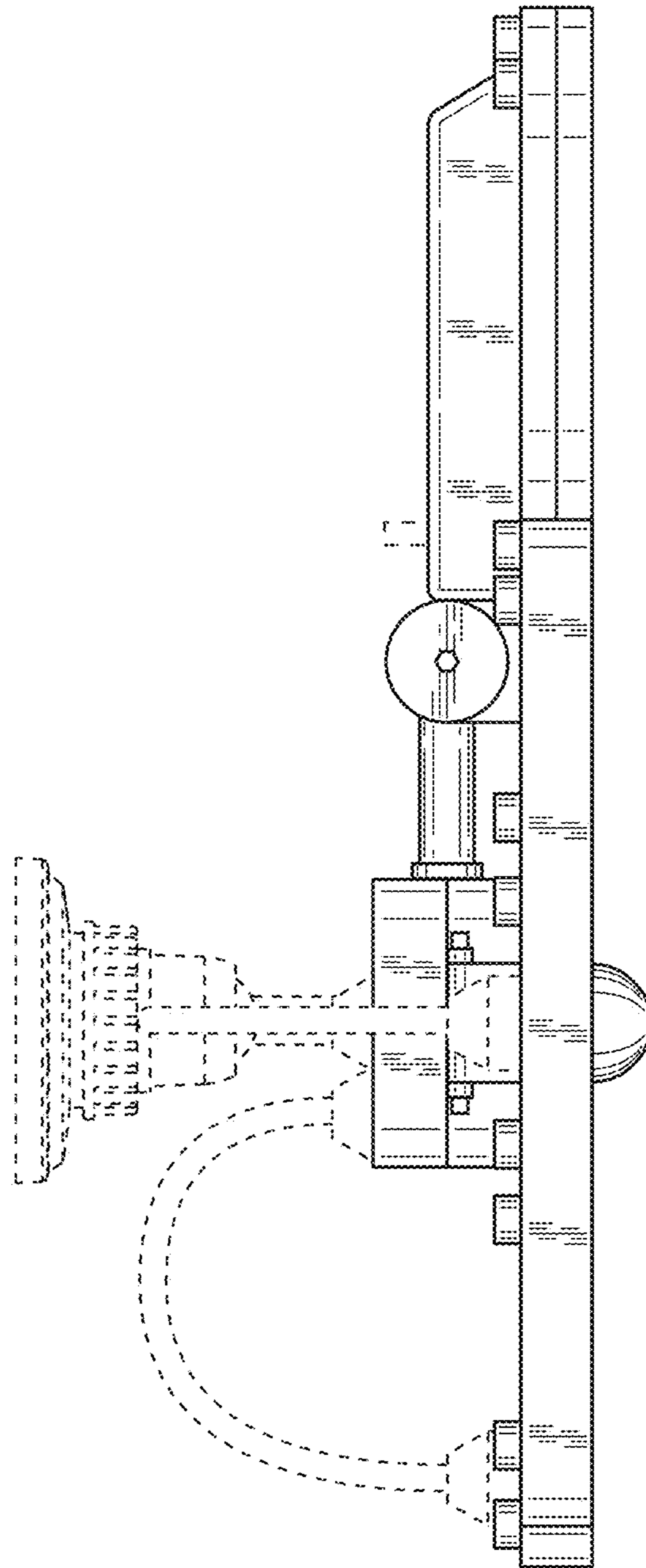


FIG. 19

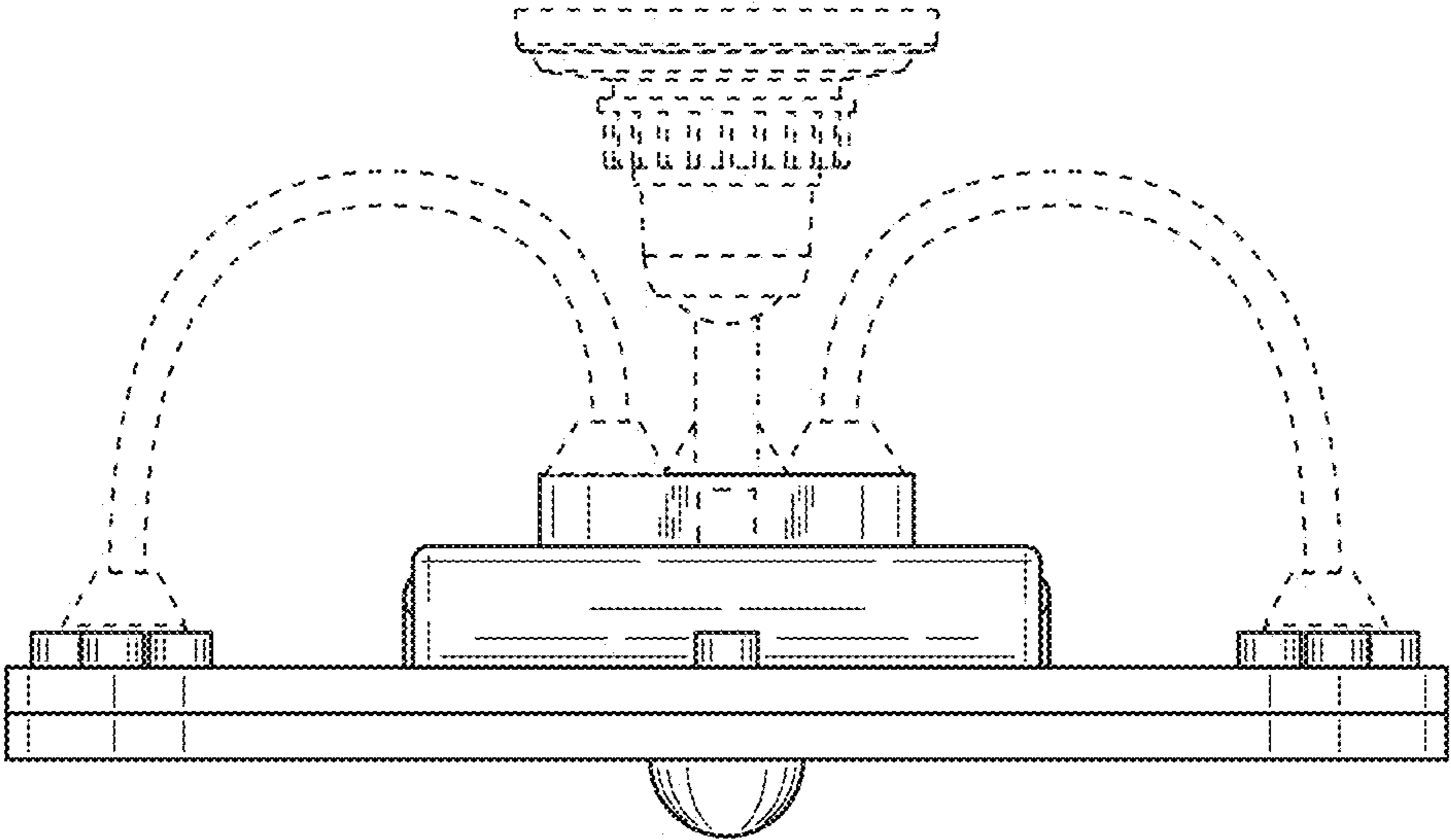


FIG. 20

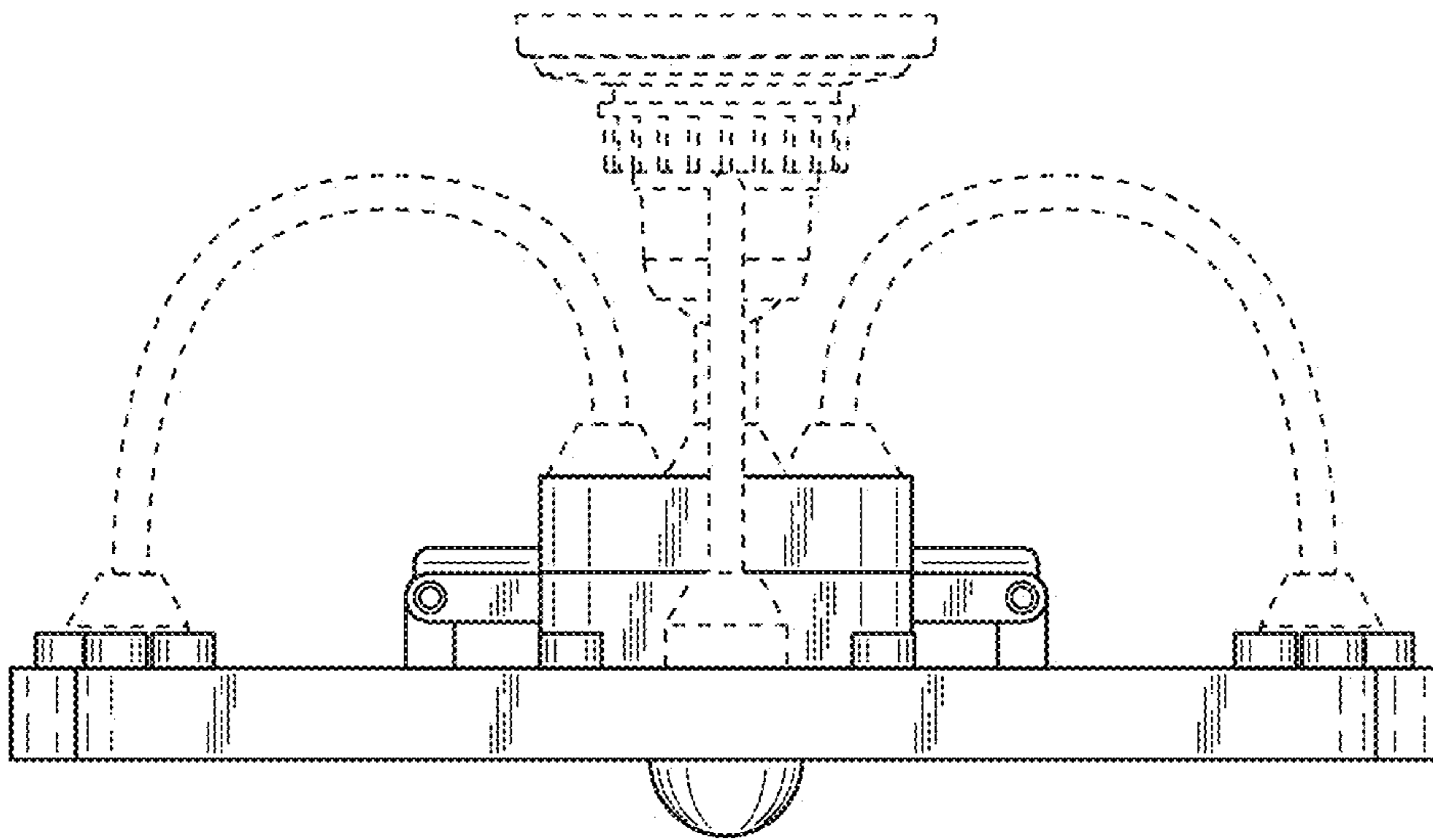


FIG. 21