



US00D988558S

(12) **United States Design Patent**  
**Guo**

(10) **Patent No.:** **US D988,558 S**  
(45) **Date of Patent:** **\*\* Jun. 6, 2023**

(54) **LIGHT MOUNT**

(71) Applicant: **Kexian Guo**, Shenzhen (CN)

(72) Inventor: **Kexian Guo**, Shenzhen (CN)

(\*\*) Term: **15 Years**

(21) Appl. No.: **29/881,134**

(22) Filed: **Dec. 28, 2022**

(51) **LOC (14) Cl.** ..... **26-05**

(52) **U.S. Cl.**  
USPC ..... **D26/60; D26/138; D8/395**

(58) **Field of Classification Search**  
USPC .... D26/24, 25, 51, 60, 61, 72, 92, 113, 138;  
D8/349, 382, 394, 395

CPC ..... F21V 21/00; F21V 21/08; F21V 21/088;  
F21V 21/14; F21W 2121/00; F21W  
2121/004; F21W 2121/04

See application file for complete search history.

(56) **References Cited**

**U.S. PATENT DOCUMENTS**

1,895,656	A *	1/1933	Gadke	.....	A47G 33/105
					24/339
D297,616	S *	9/1988	Doty	.....	D8/395
D317,252	S *	6/1991	Rumpel	.....	D8/395
D319,575	S *	9/1991	Young	.....	D8/395
D376,535	S *	12/1996	Gary	.....	D8/395
5,607,230	A *	3/1997	Protz, Jr.	.....	F21V 21/088
					362/396
D402,396	S *	12/1998	Protz, Jr.	.....	D8/395
D414,291	S *	9/1999	Gary	.....	D8/395
D427,510	S *	7/2000	Gary	.....	D8/367
D429,023	S *	8/2000	Hughes	.....	D26/138
D430,699	S *	9/2000	Coleman, Jr.	.....	D8/395

(Continued)

**OTHER PUBLICATIONS**

Holiday Light Clips, posted at Amazon, date first available Sep. 18, 2019. Site visited Jan. 19, 2023. Available from internet, URL:

<https://www.amazon.com/SEWANTA-All-Purpose-Light-Clips-Holder/dp/B07Y2DWFHM?th=1> (Year: 2019).\*

(Continued)

*Primary Examiner* — Samantha Wood

*Assistant Examiner* — Vanessa Martinez

(74) *Attorney, Agent, or Firm* — Daniel M. Cohn;  
Howard M. Cohn

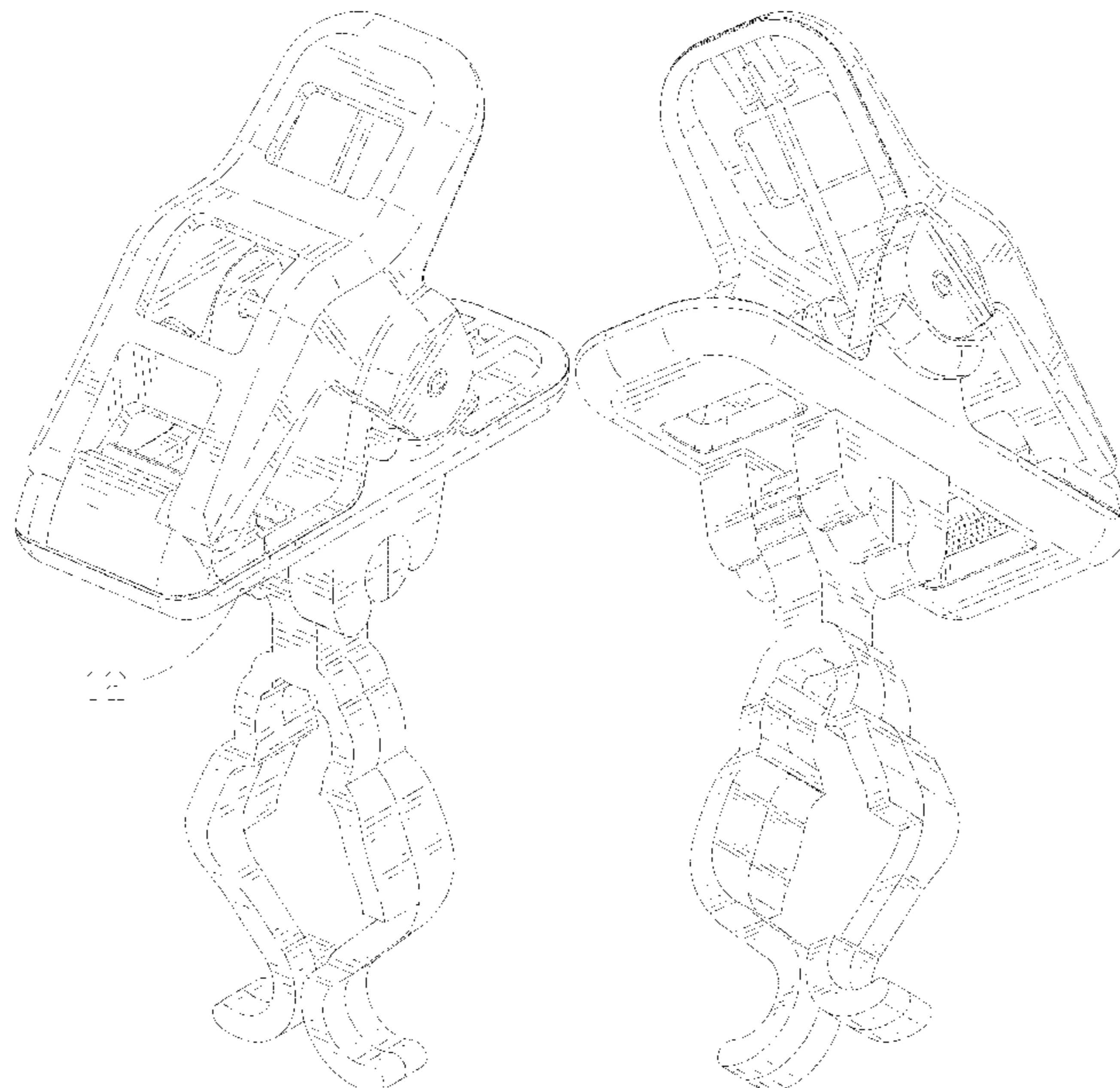
(57) **CLAIM**

The ornamental design for a light mount, as shown and described.

**DESCRIPTION**

FIG. 1 is a perspective view of a light mount showing my new design;  
 FIG. 2 is another perspective view thereof;  
 FIG. 3 is a front elevational view thereof;  
 FIG. 4 is a rear elevational view thereof;  
 FIG. 5 is a left side elevational view thereof;  
 FIG. 6 is a right side elevational view thereof;  
 FIG. 7 is a top plan view thereof;  
 FIG. 8 is a bottom plan view thereof;  
 FIG. 9 is a perspective view of the light mount where the light mount is in a first configuration of use;  
 FIG. 10 is a perspective view of the light mount where the light mount is in a second configuration of use;  
 FIG. 11 is a perspective view of the light mount where the light mount is in a third configuration of use; and,  
 FIG. 12 is an enlarged view of portion 12 shown in FIG. 1. The dash-dash broken lines in the drawings depict portions of the light mount that form no part of the claimed design. The dot-dash broken lines represent boundaries of the enlarged portion and form no part of the claimed design. The broken lines in FIGS. 9-11 showing light mount depict environment and form no part of the claimed design.

**1 Claim, 12 Drawing Sheets**



(56)

References Cited

U.S. PATENT DOCUMENTS

D435,684 S \* 12/2000 Gary ..... D8/395  
 D440,005 S \* 4/2001 Blanton ..... 24/3.12  
 D460,912 S \* 7/2002 Gary ..... D8/395  
 D482,489 S \* 11/2003 Gary ..... D8/395  
 D494,849 S \* 8/2004 Jones ..... D8/395  
 D671,826 S \* 12/2012 Adams, IV ..... D8/395  
 D682,464 S \* 5/2013 Gary ..... D26/142  
 D751,377 S \* 3/2016 Duffy ..... D8/395  
 D799,314 S \* 10/2017 Adams, IV ..... D8/395  
 D820,938 S 6/2018 Pittman  
 D856,791 S \* 8/2019 Limber ..... D8/395  
 D885,509 S 5/2020 Pittman  
 D909,194 S \* 2/2021 Felt ..... D8/395  
 D939,335 S \* 12/2021 Kennedy ..... D8/395  
 D968,209 S \* 11/2022 Xu ..... D8/395  
 2013/0148366 A1 \* 6/2013 Adams, IV ..... F21V 21/088  
 362/396  
 2018/0017240 A1 \* 1/2018 Schreiber ..... F21S 4/10

OTHER PUBLICATIONS

LED Quick Clip Christmas, posted at Amazon, date first available Sep. 27, 2020. Site visited Jan. 20, 2023. Available from internet, URL: [https://www.amazon.ca/dp/B089XKJGNZ/ref=sspa\\_dk\\_detail\\_0? \(Year: 2020\).](https://www.amazon.ca/dp/B089XKJGNZ/ref=sspa_dk_detail_0? (Year: 2020).)\*  
 C7 C9 Christmas Lights Spring Clips, posted at Amazon, date first available Sep. 26, 2022. Site visited Jan. 25, 2023. Available from internet, URL: [https://www.amazon.com/Christmas-Holiday-Shatterproof-E17Socket-Roofline/dp/B0BGHZ7QQF/ref?th=1 \(Year: 2022\).](https://www.amazon.com/Christmas-Holiday-Shatterproof-E17Socket-Roofline/dp/B0BGHZ7QQF/ref?th=1 (Year: 2022).)\*  
 Noma Quick Clip, posted at canadiantire. Site visited Mar. 10, 2023. Available from internet, URL: [https://www.canadiantire.ca/en/pdp/noma-quick-clip-universal-christmas-lights-clips-50-pk-assorted-colours-1513615p.1513615.html \(Year: 2023\).](https://www.canadiantire.ca/en/pdp/noma-quick-clip-universal-christmas-lights-clips-50-pk-assorted-colours-1513615p.1513615.html (Year: 2023).)\*

\* cited by examiner

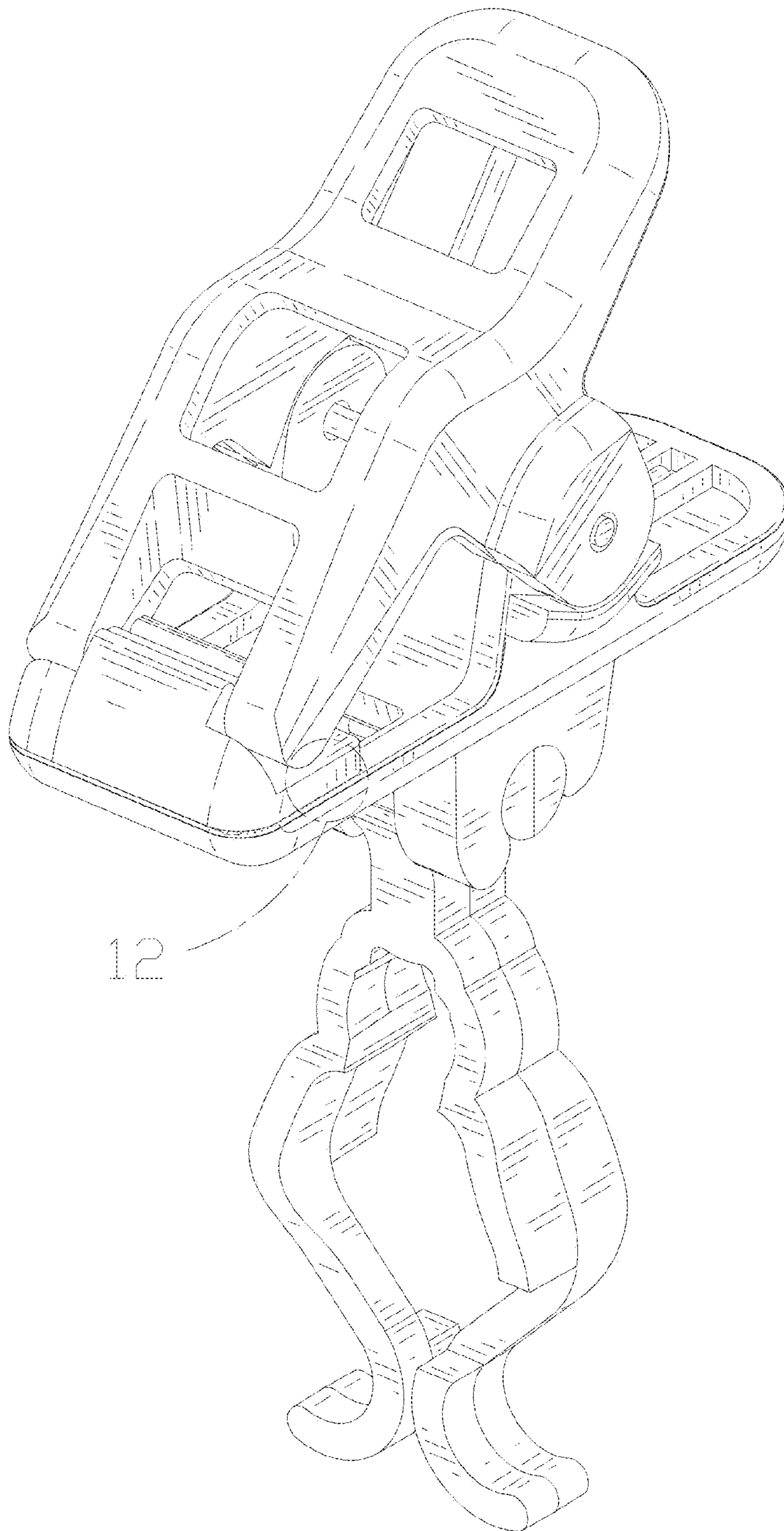


FIG. 1

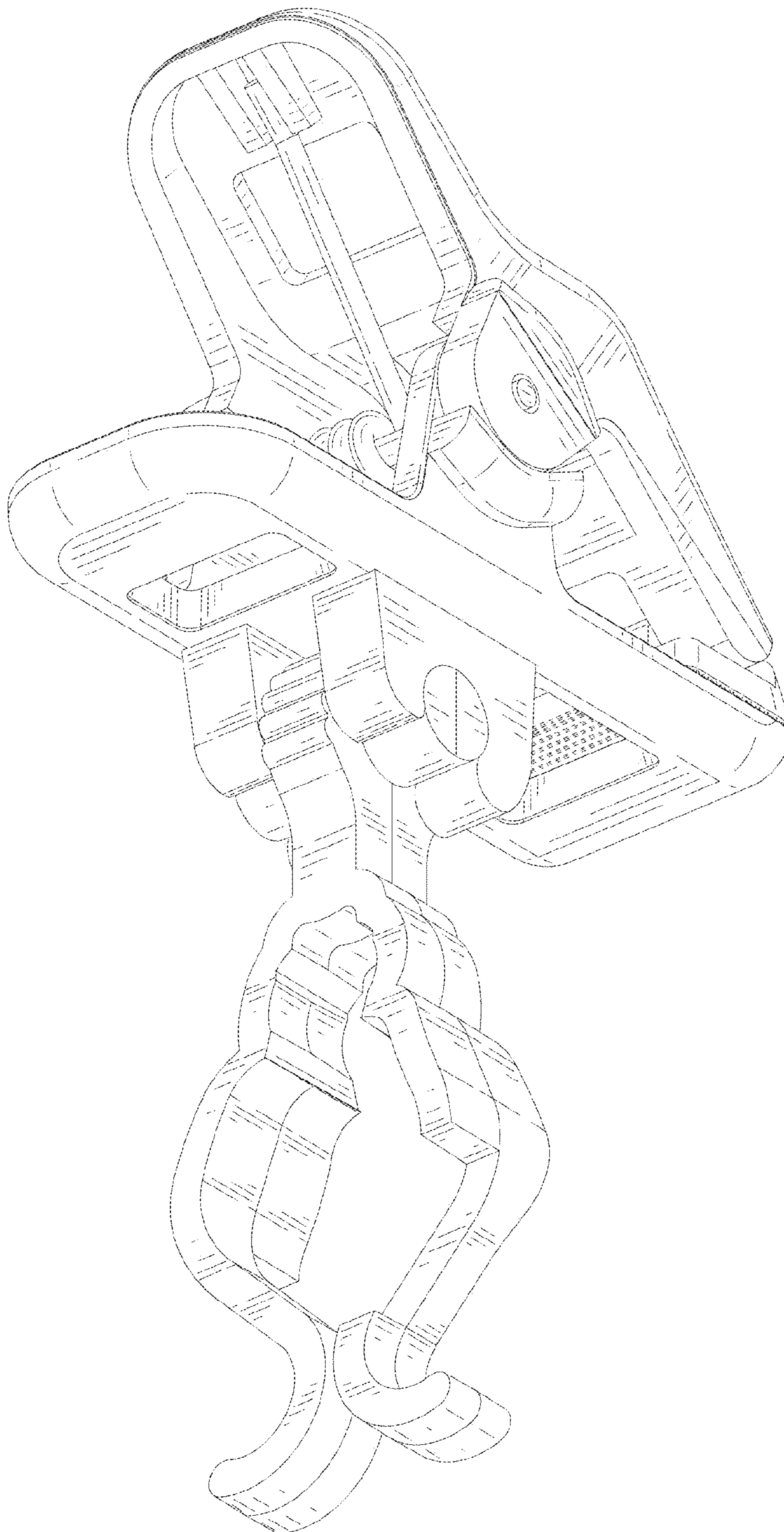


FIG. 2

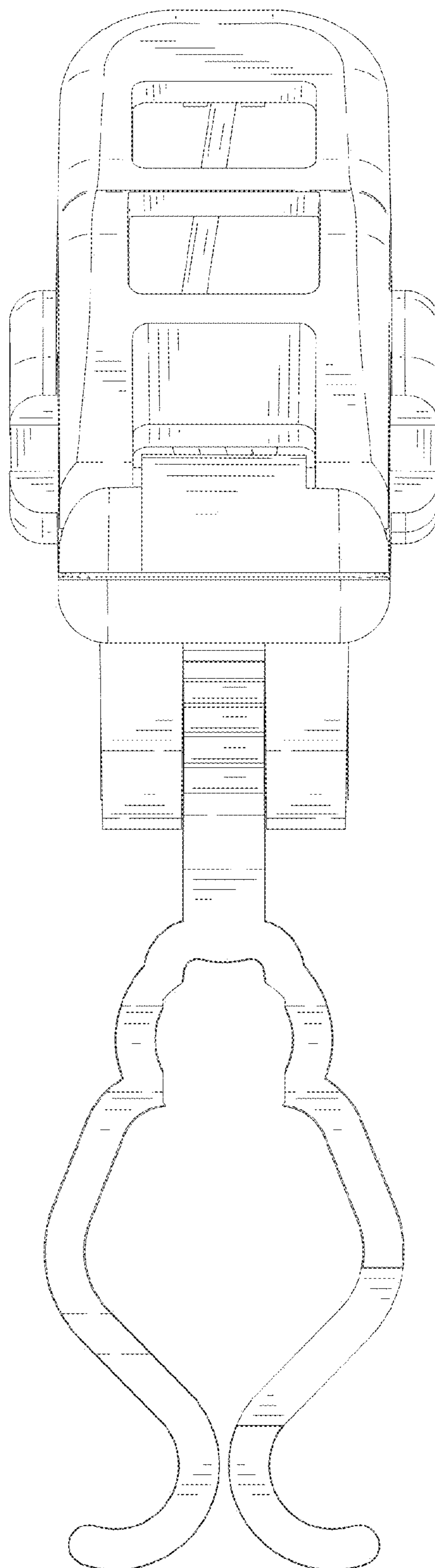


FIG. 3

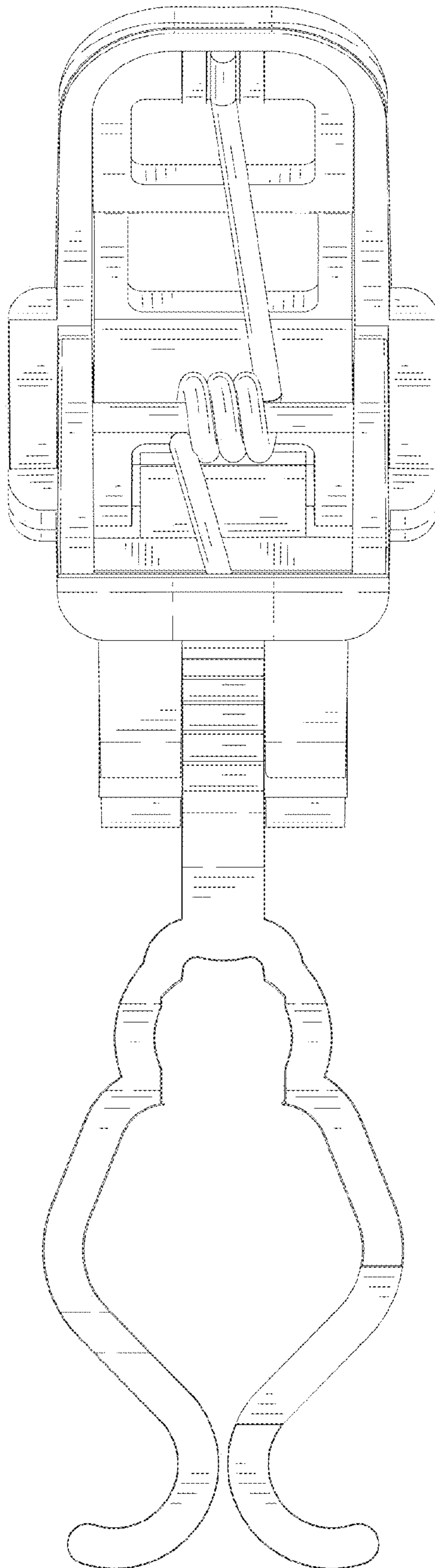


FIG. 4

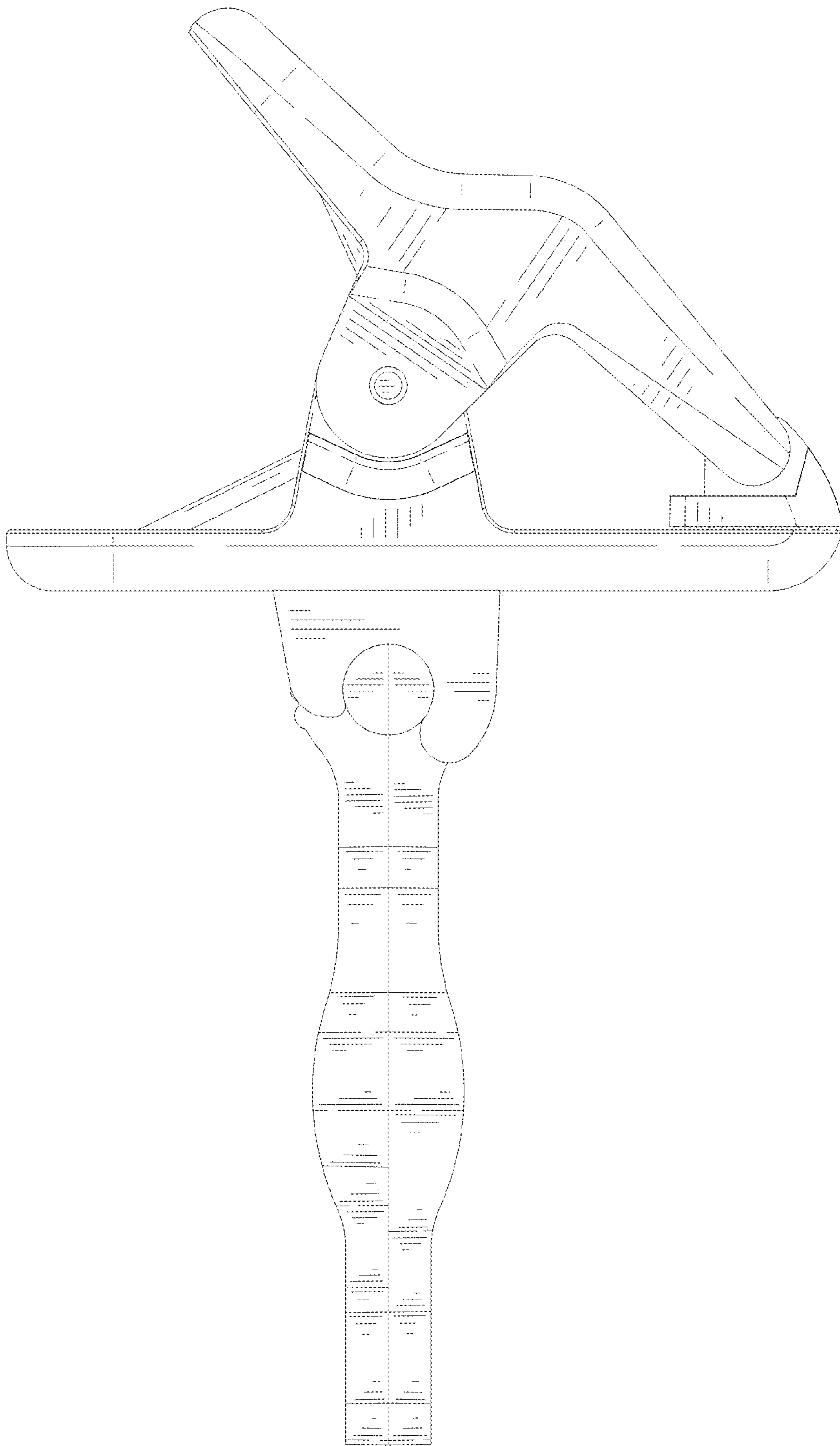


FIG. 5

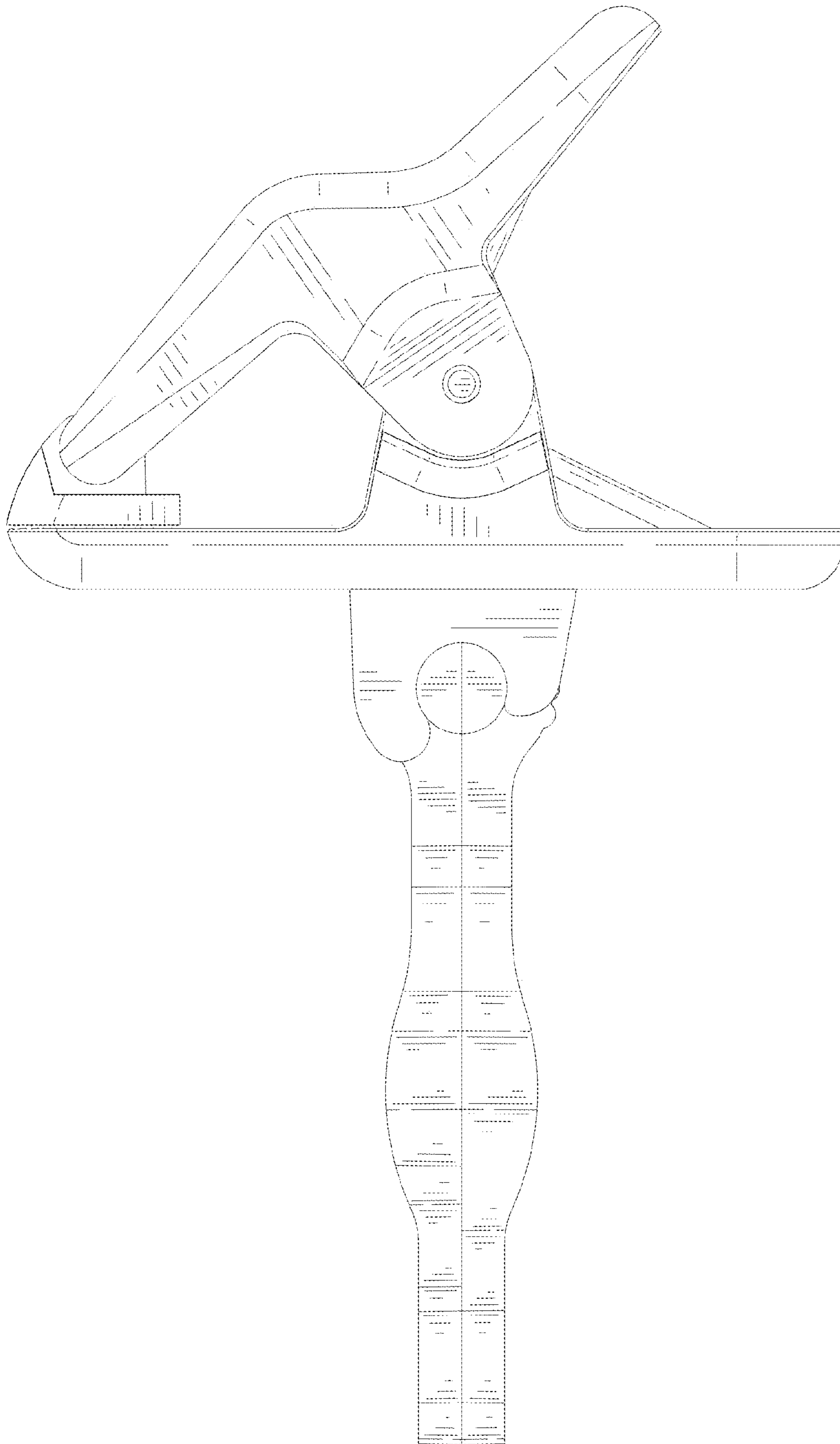


FIG. 6



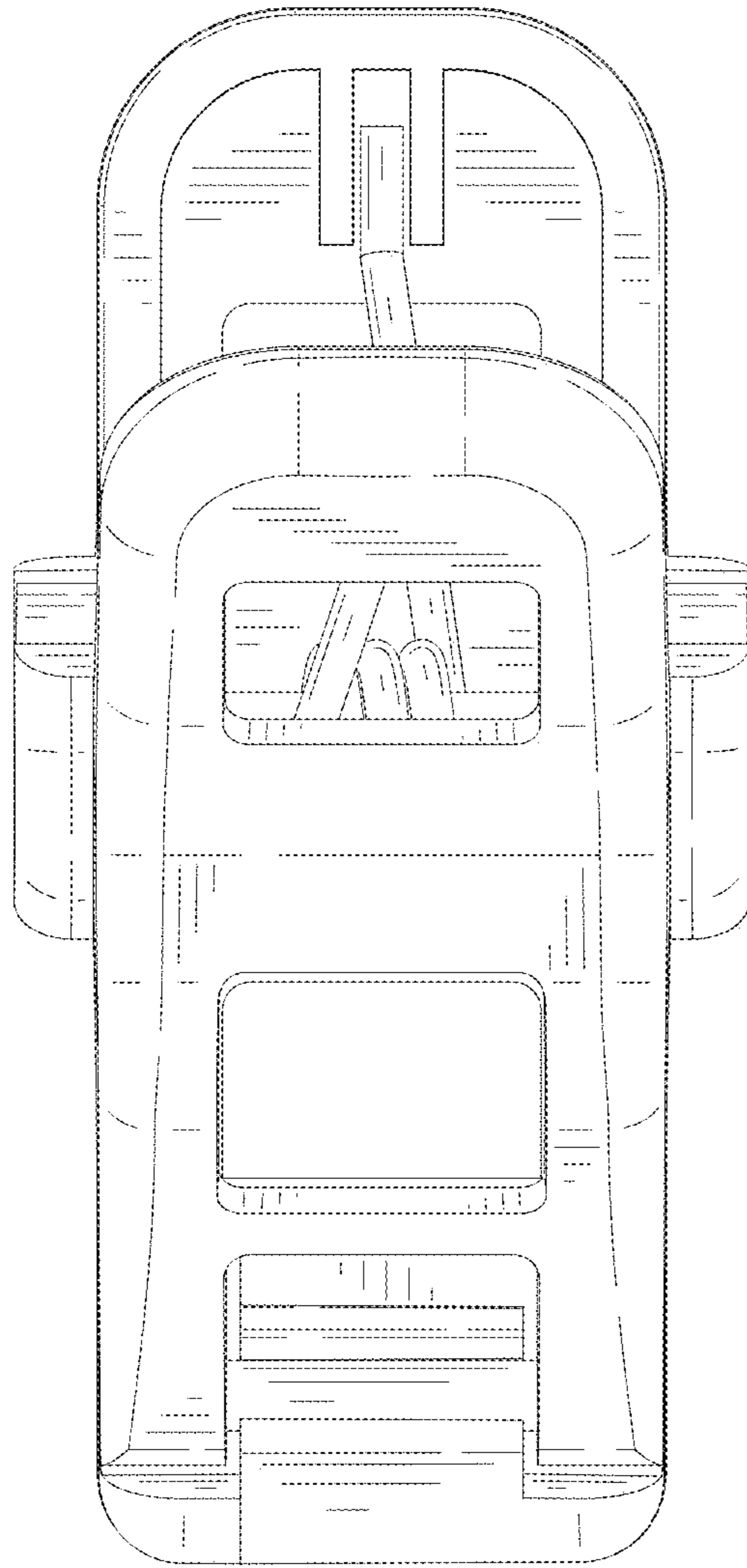


FIG. 7

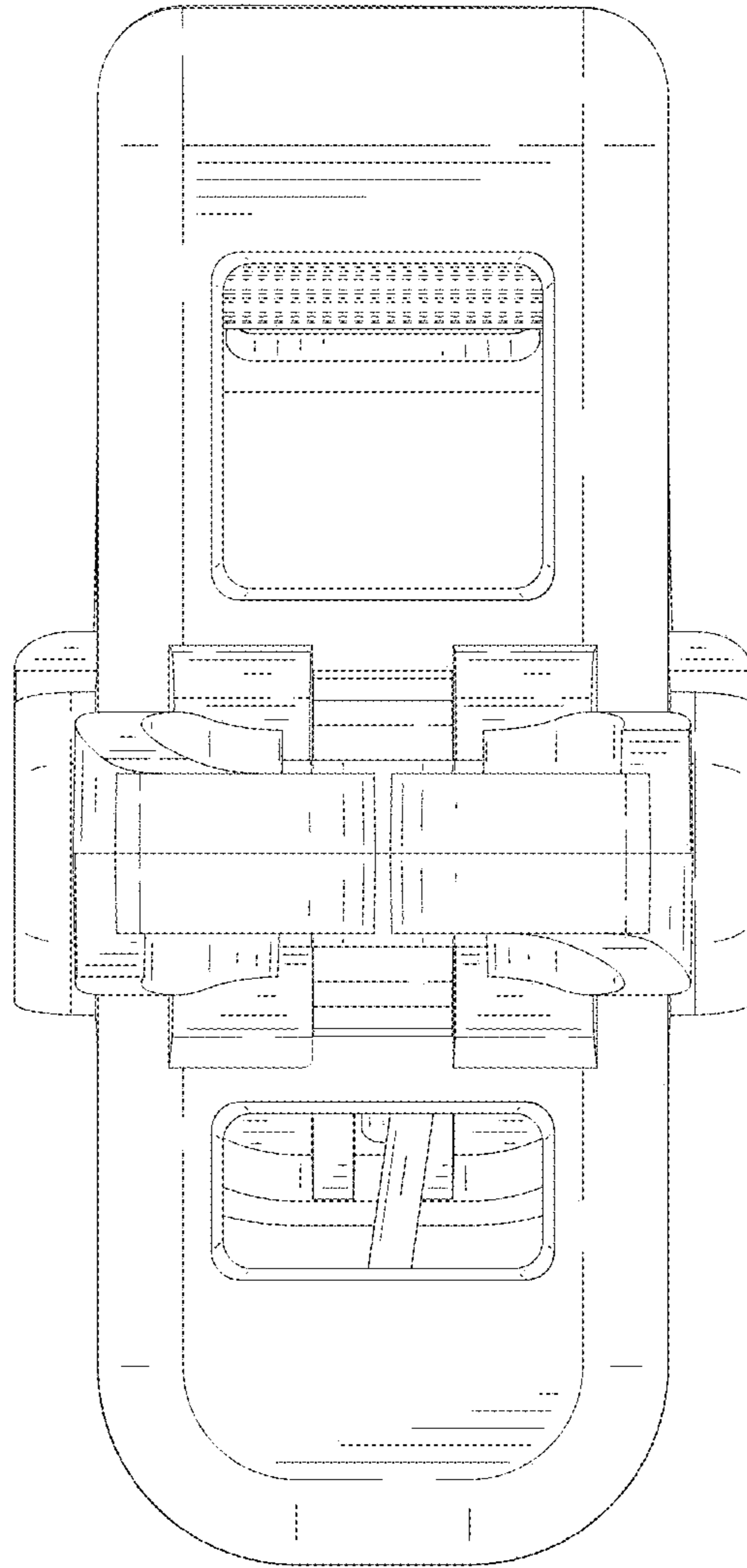


FIG. 8

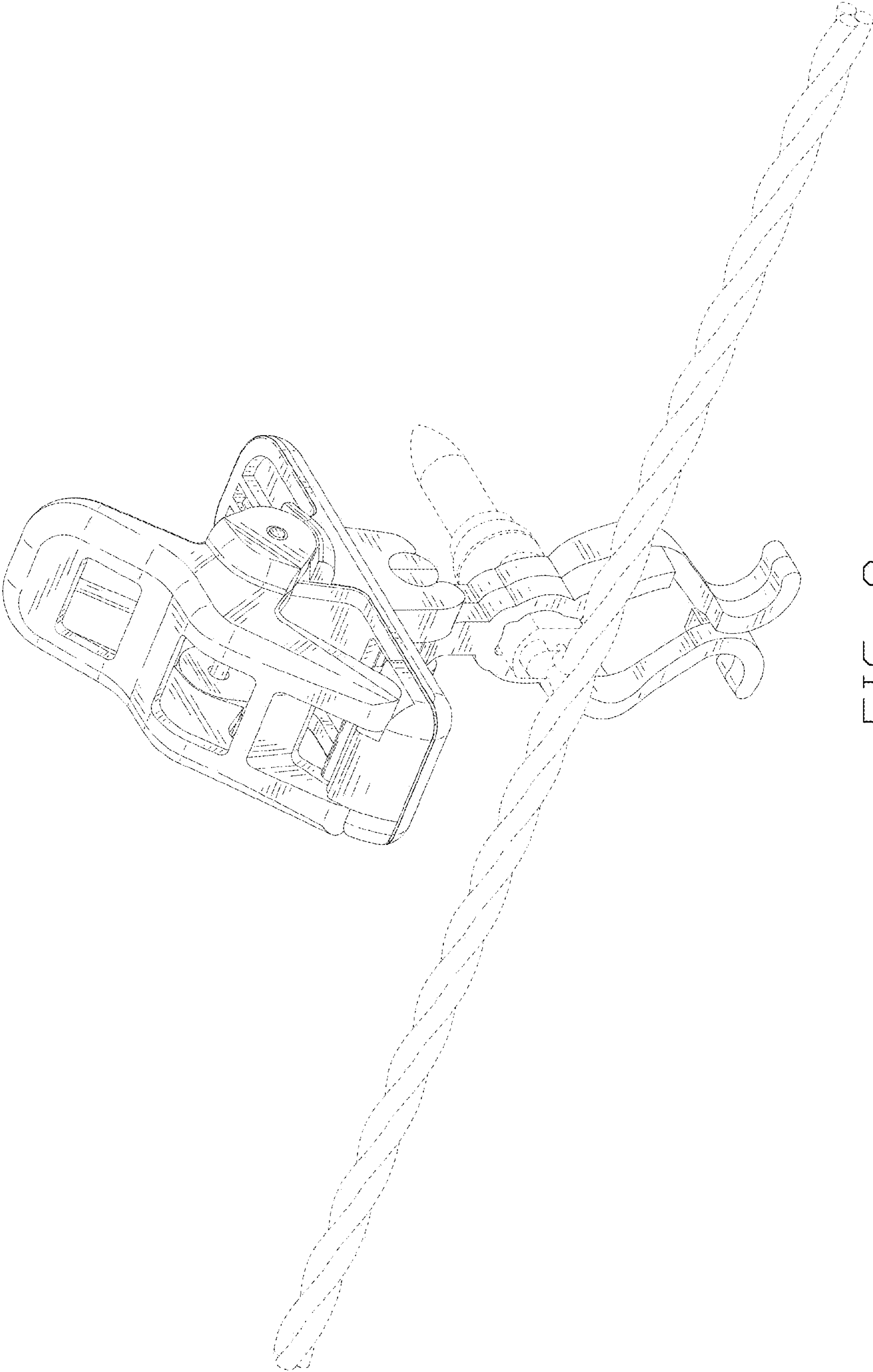


FIG. 9

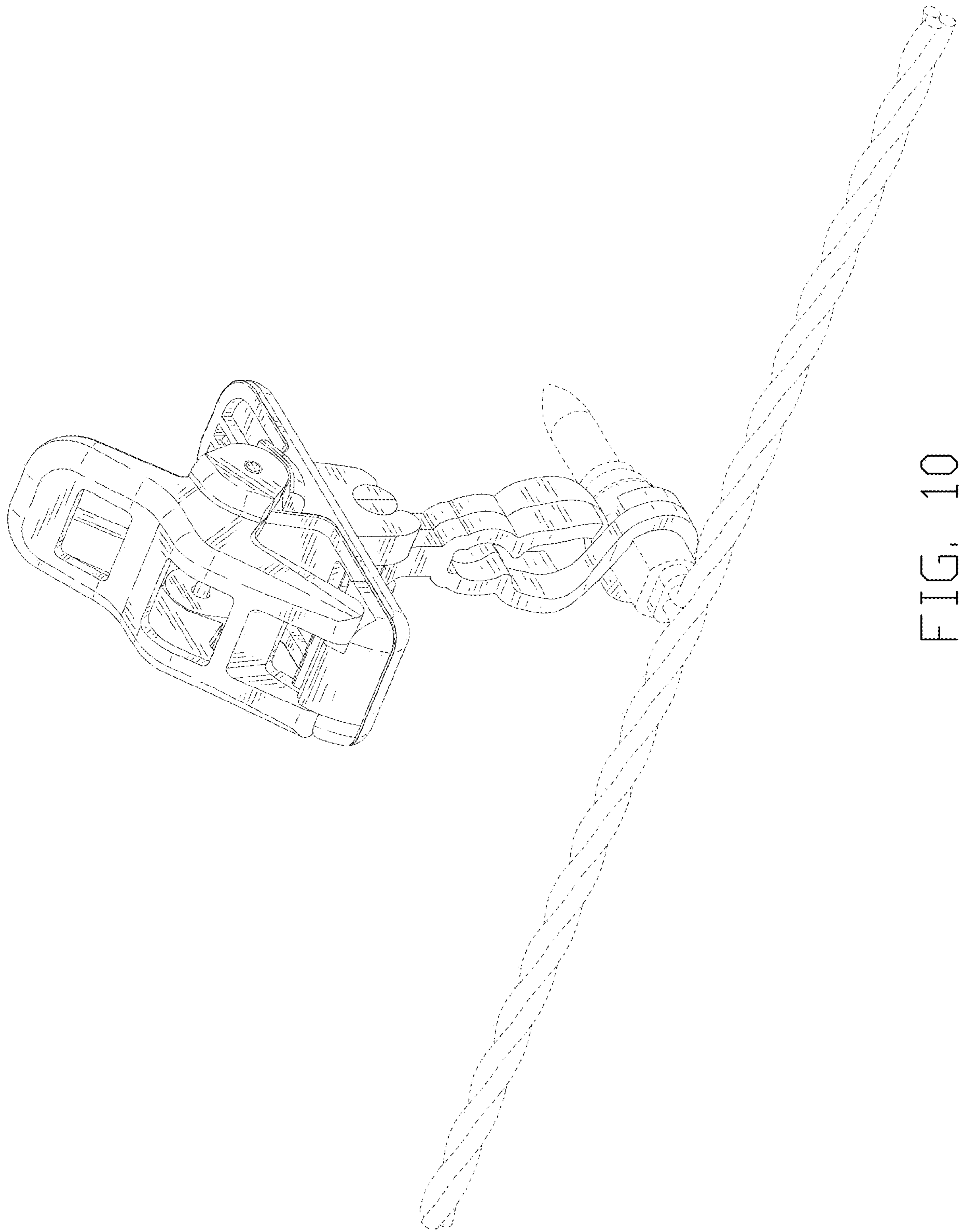


FIG. 10

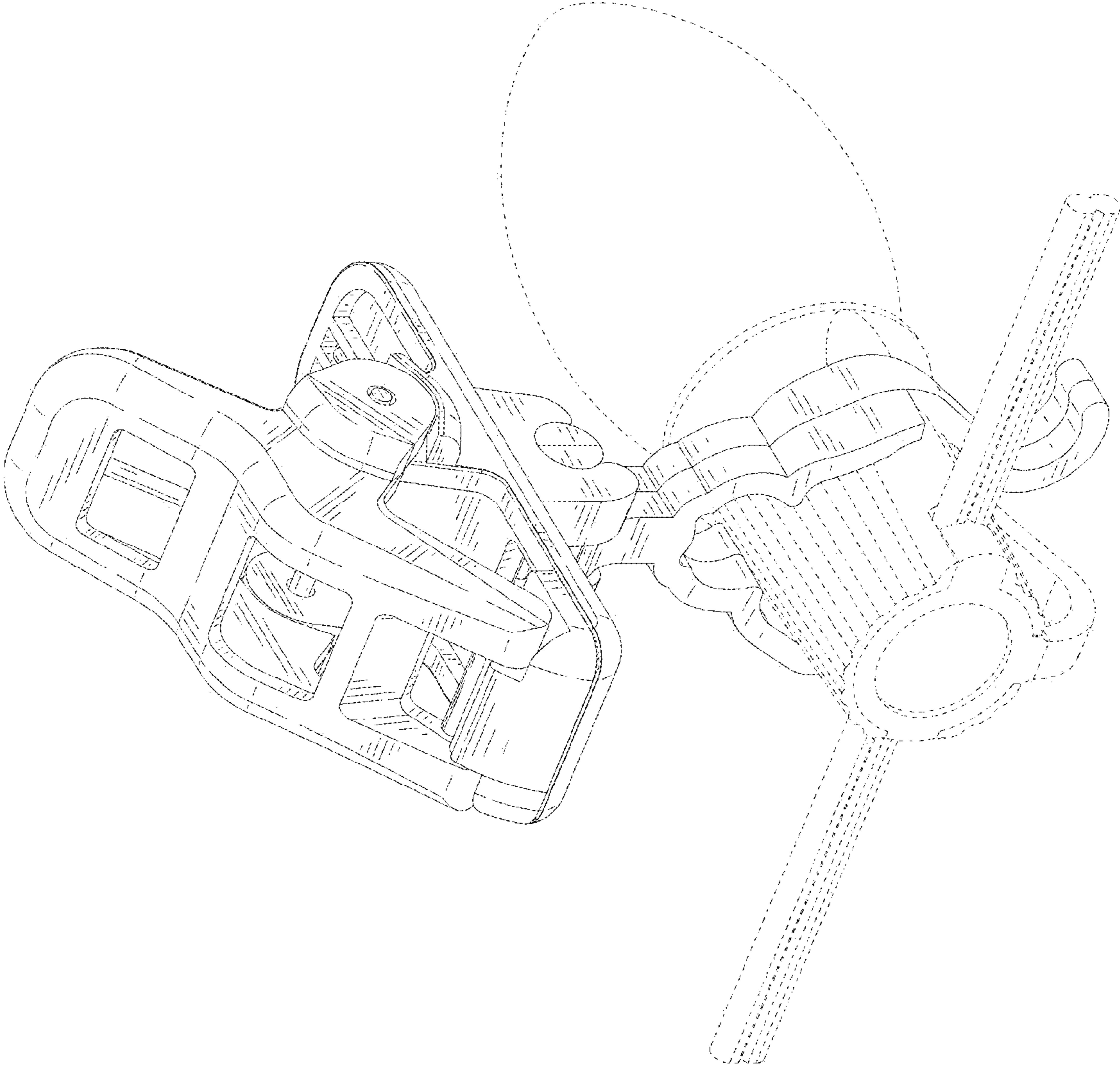


FIG. 11

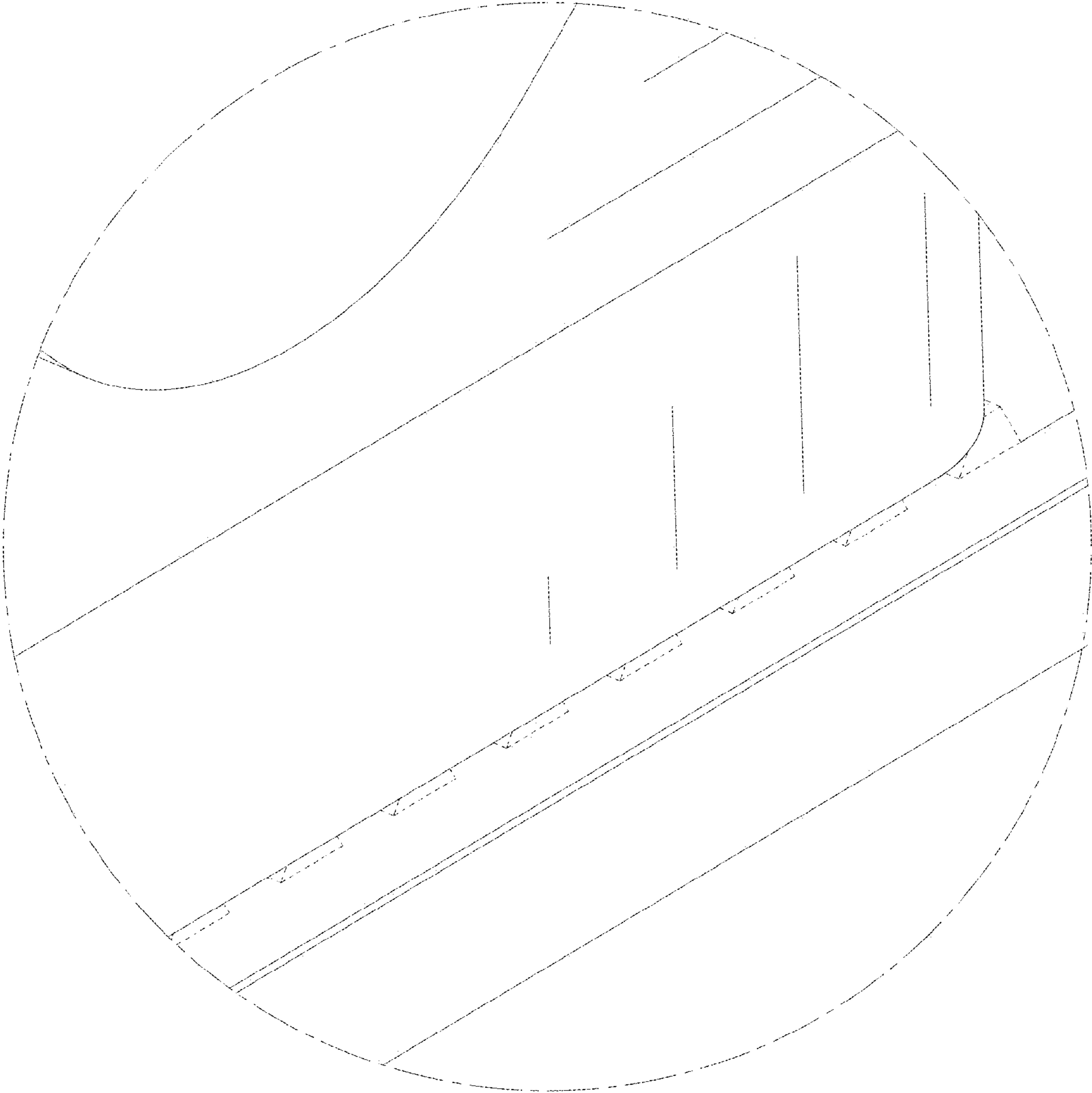


FIG. 12