



US00D988557S

(12) **United States Design Patent** (10) **Patent No.:** **US D988,557 S**
Xie (45) **Date of Patent:** **** Jun. 6, 2023**

(54) **BICYCLE LIGHT**

(71) Applicant: **Yumin Xie**, Yulin (CN)

(72) Inventor: **Yumin Xie**, Yulin (CN)

(**) Term: **15 Years**

(21) Appl. No.: **29/800,225**

(22) Filed: **Jul. 20, 2021**

(30) **Foreign Application Priority Data**

May 25, 2021 (CN) 202130316270.4

(51) **LOC (14) Cl.** **26-05**

(52) **U.S. Cl.**
USPC **D26/60; D12/114**

(58) **Field of Classification Search**
USPC D26/24, 28, 32-39, 41, 43, 47-51, 57,
D26/60, 61, 113; D12/107, 111, 114
CPC F21S 9/02; F21S 8/003; F21W 2102/10;
F21W 2107/13; F21W 2111/08; F21W
2111/10; B62J 6/00; B62J 6/02; B62J
6/026; B62J 6/04; B62J 6/015; B62J
6/055

See application file for complete search history.

(56) **References Cited**

U.S. PATENT DOCUMENTS

D344,148 S *	2/1994	Yuen	D26/34
D395,717 S *	6/1998	Dalton	D26/28
D592,340 S *	5/2009	Liao	D26/60
D609,377 S *	2/2010	Taiga	D26/60
D673,316 S *	12/2012	Oshima	D26/50
D678,566 S *	3/2013	Janssen	D26/28
D679,038 S *	3/2013	Hamasaki	D26/28
D746,501 S *	12/2015	Chen	D26/60
D751,744 S *	3/2016	Watson	D26/113
D752,252 S *	3/2016	Ruthling	D26/60
D766,480 S *	9/2016	Bo	D26/60
D768,322 S *	10/2016	Feustel	D26/60

D819,877 S *	6/2018	Gramling	D26/138
D869,036 S *	12/2019	Brockie	D26/60
D884,947 S *	5/2020	Tang	D26/60
D911,561 S *	2/2021	Heggland	D26/60

(Continued)

OTHER PUBLICATIONS

Olight Bike Lights, posted at Amazon, date first available Nov. 30, 2020. Site visited Nov. 15, 2022. Available from internet, URL: <https://www.amazon.com/OLIGHT-Visibility-Viewable-Rechargeable-Waterproof/dp/B08PC96XNK> (Year: 2020).*

(Continued)

Primary Examiner — Samantha Wood
Assistant Examiner — Vanessa Martinez

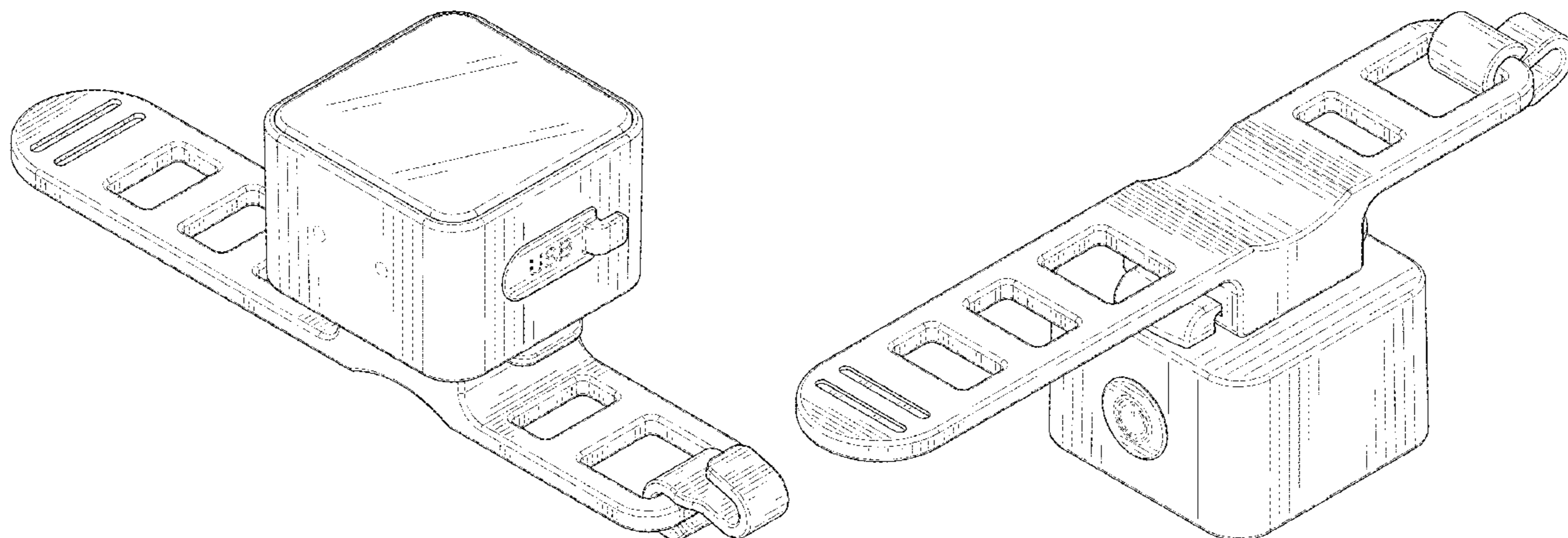
(57) **CLAIM**

The ornamental design for a bicycle light, as shown and described.

DESCRIPTION

FIG. 1 is a perspective view of a bicycle light showing my new design;
FIG. 2 is another perspective view thereof;
FIG. 3 is a front elevational view thereof;
FIG. 4 is a rear elevational view thereof;
FIG. 5 is a left side elevational view thereof;
FIG. 6 is a right side elevational view thereof;
FIG. 7 is a top plan view thereof;
FIG. 8 is a bottom plan view thereof;
FIG. 9 is an enlarged view of portion 9 shown in FIG. 7; and,
FIG. 10 is an enlarged view of portion 10 shown in FIG. 8.
The dash-dash broken lines in the drawings are for the purpose of illustrating portions of the bicycle light that form no part of the claimed design. The dot-dash broken lines represent boundaries of the enlarged portions and form no part of the claimed design.

1 Claim, 10 Drawing Sheets



(56)

References Cited

U.S. PATENT DOCUMENTS

D914,941 S * 3/2021 Zhang D26/60
D921,949 S * 6/2021 Lin D26/60
D923,844 S * 6/2021 Ke D26/60
2014/0355283 A1 * 12/2014 Kurumatani B62J 6/16
362/473

OTHER PUBLICATIONS

Bike Taillight, posted at Amazon, date first available Oct. 11, 2017. Site visited Nov. 15, 2022. Available from internet, URL: <https://www.amazon.com/Magicshine-Taillight-Portable-Convenient-Rechargeable/dp/B076D28KTP> (Year: 2017).*

Bike Lights, posted at Amazon, date first available Sep. 2, 2021. Site visited Jan. 25, 2023. Available from internet, URL: <https://www.amazon.co.uk/Set%EF%BC%8CUSB-Brightness-Highlight-Wikeaterproof-Mountain/dp/B09F937C2L/ref?th=1> (Year: 2021).*

Wind Moon Bicycle Light, posted at Amazon, date first available Oct. 12, 2021. Site visited Jan. 25, 2023. Available from internet, URL: https://www.amazon.com/dp/B09J8CPJDK/ref=twister_B0BLMTBCR6?_encoding=UTF8&th=1 (Year: 2021).*

Teshudi Bike Light, posted at Amazon, date first available Apr. 29, 2020. Site visited Jan. 25, 2023. Available from internet, URL: <https://www.amazon.com/Teshudi-Rechargeable-Bicycle-Waterproof-Lightweight/dp/B087V2Q9BQ> (Year: 2020).*

Boruit Bike Light, posted at Amazon, date first available May 5, 2022. Site visited Jan. 26, 2023. Available from internet, URL: <https://www.amazon.com/BORUIT-Rechargeable-Bicycle-Waterproof-Lithium/dp/B09ZLB7RQB> (Year: 2019).*

* cited by examiner

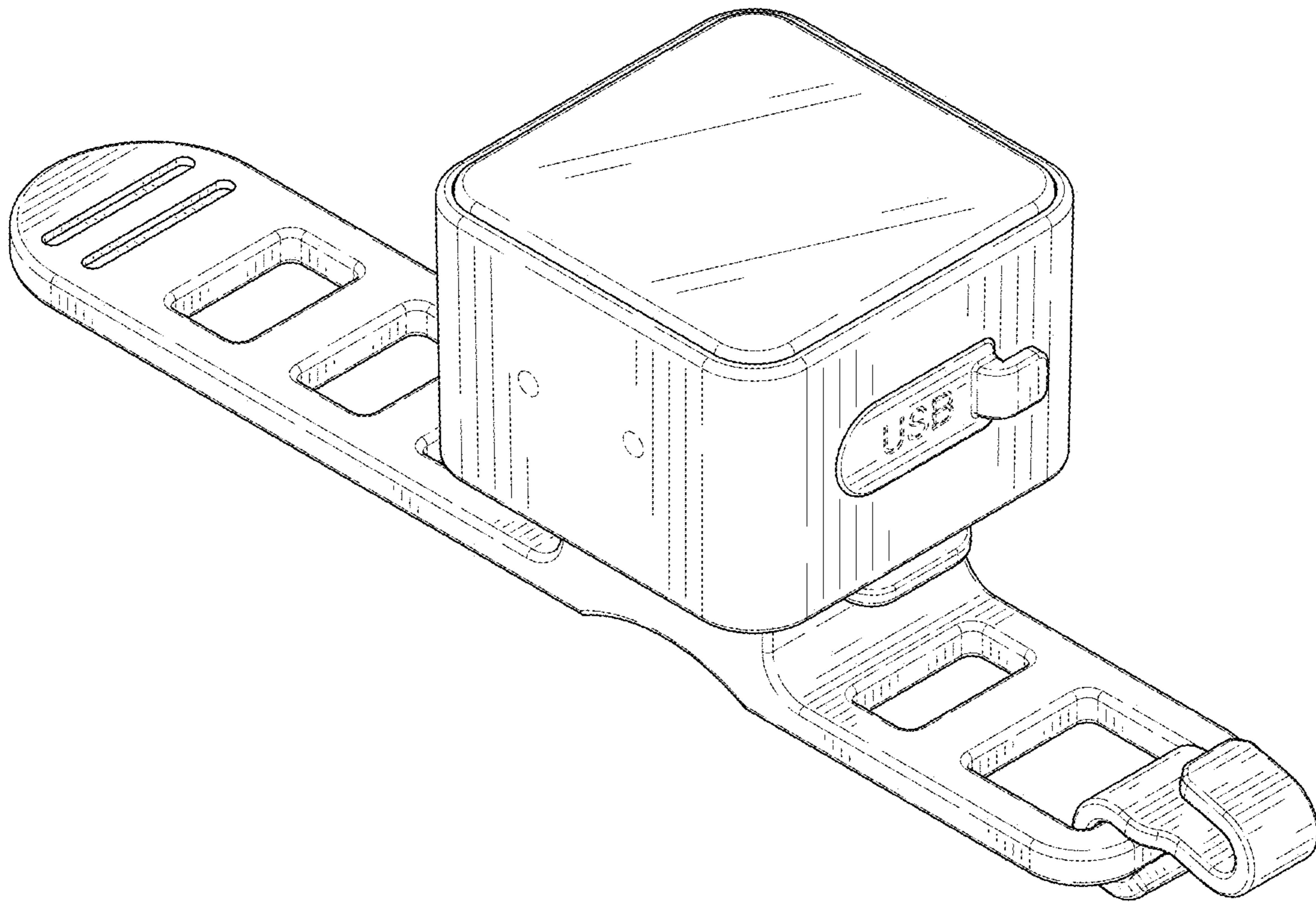


FIG. 1

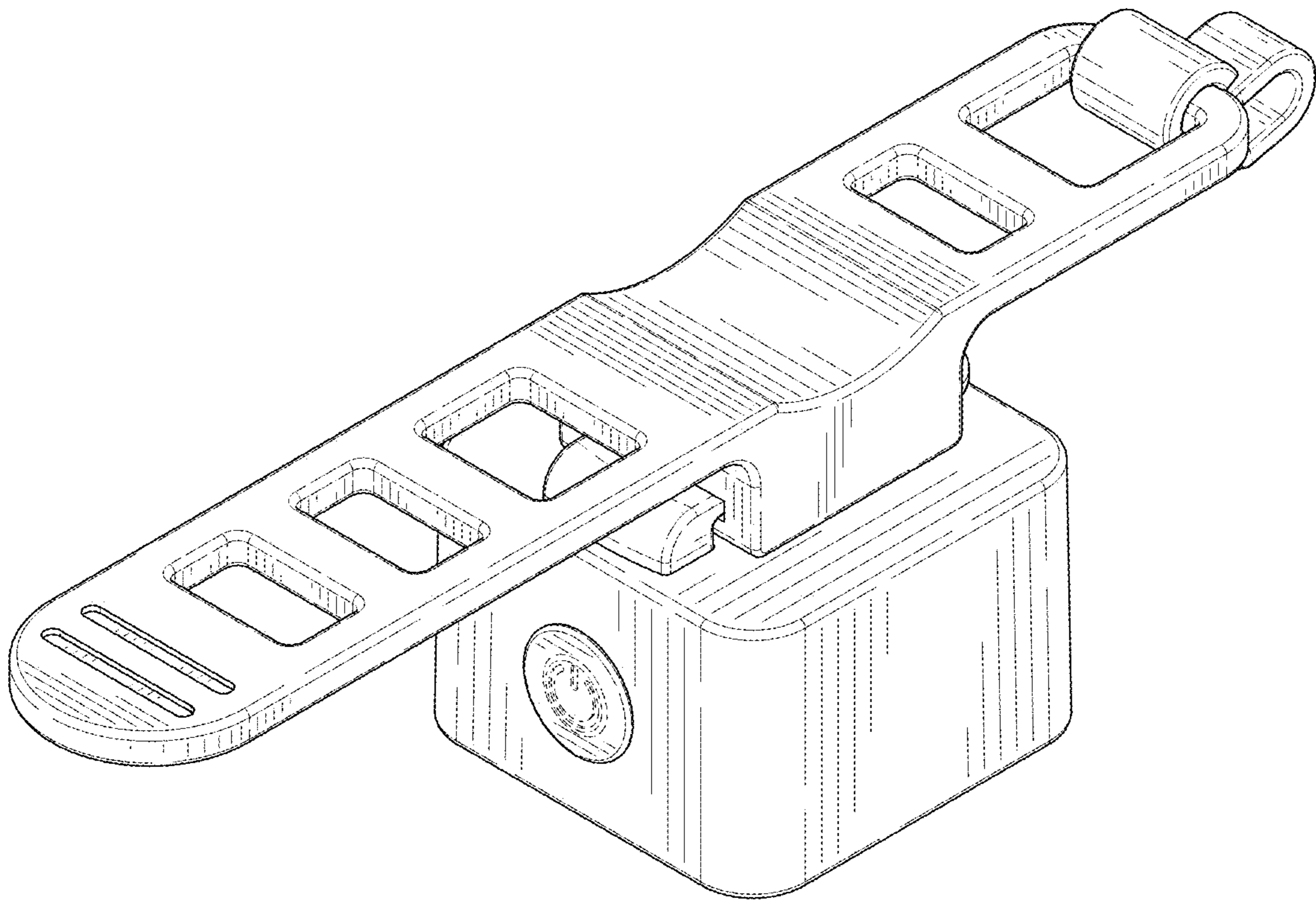


FIG. 2

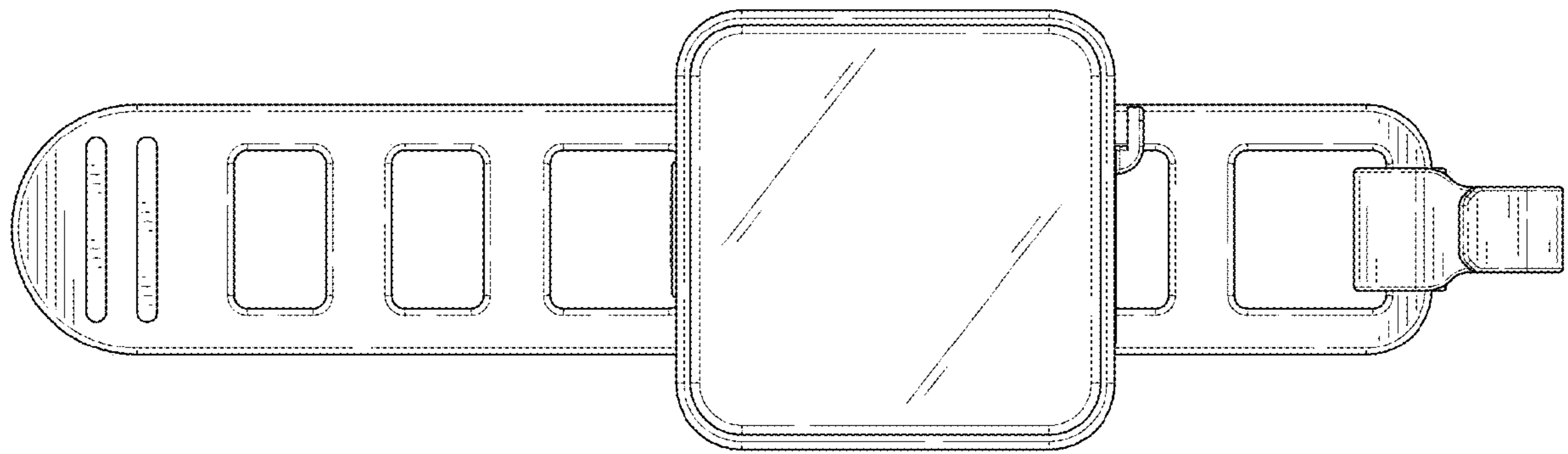


FIG. 3

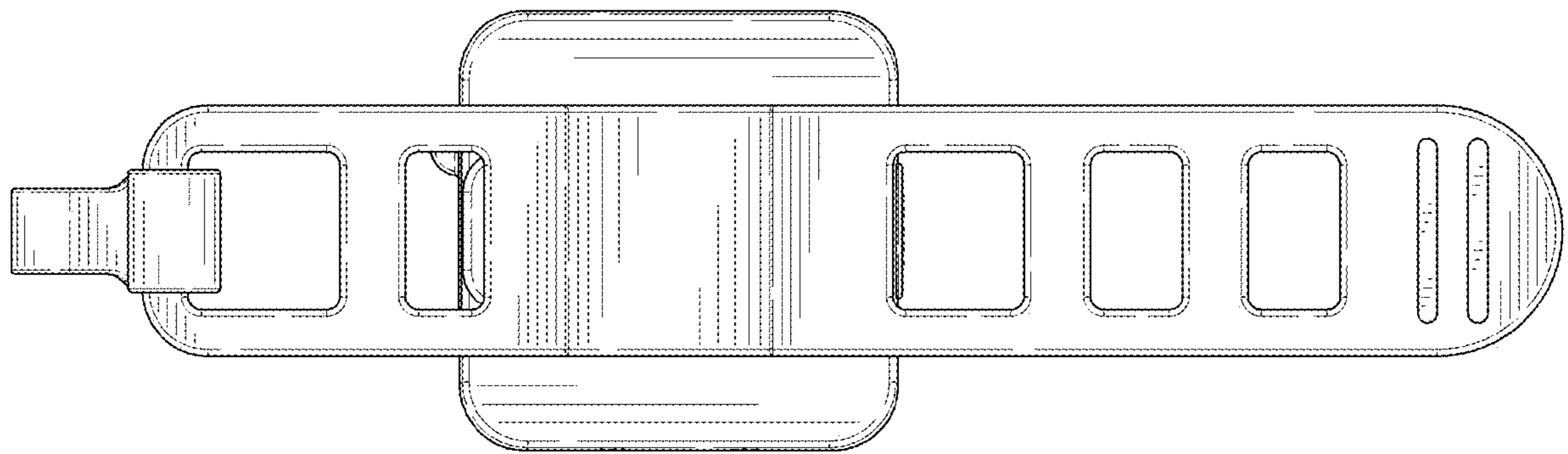


FIG. 4

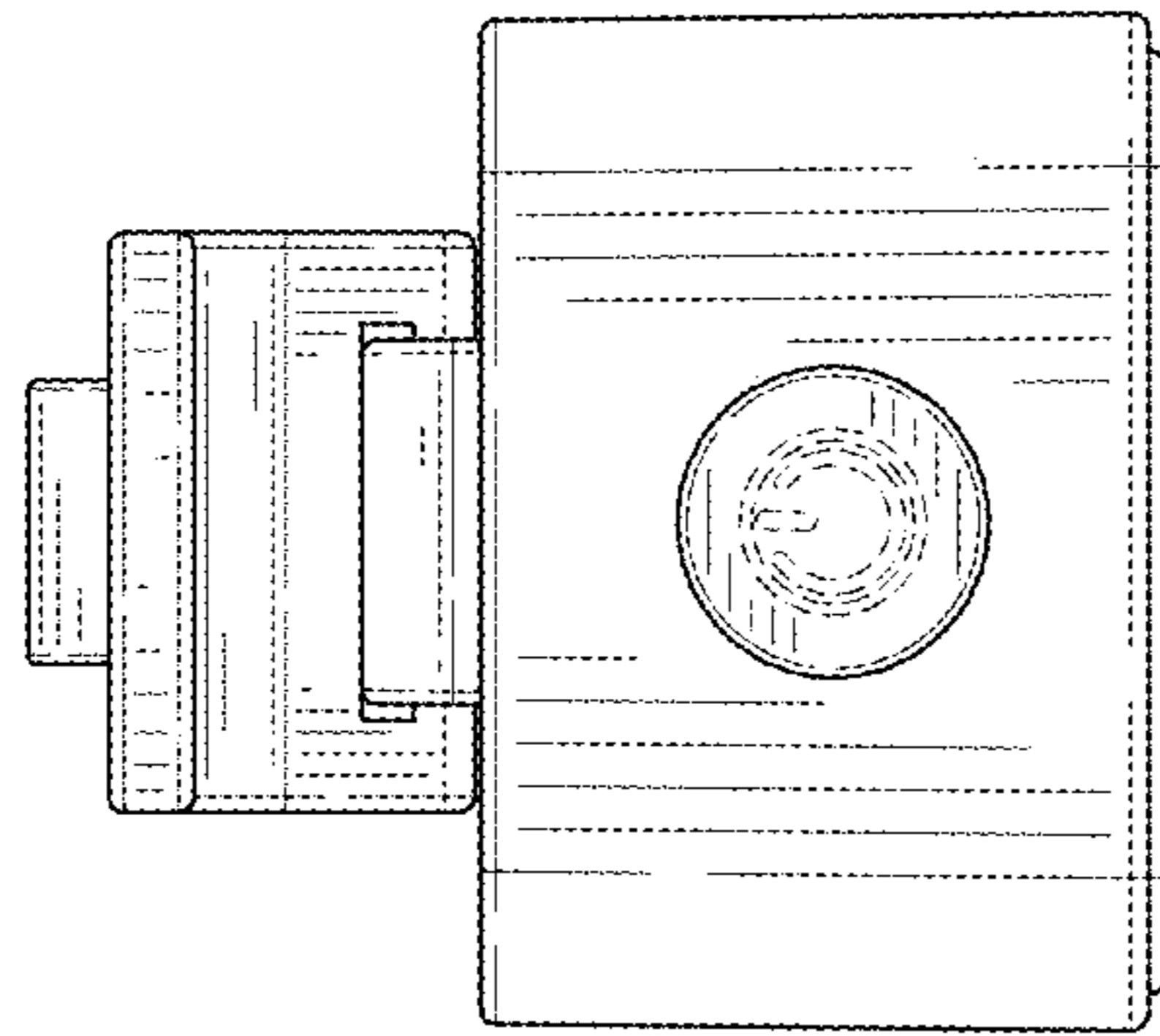


FIG. 5

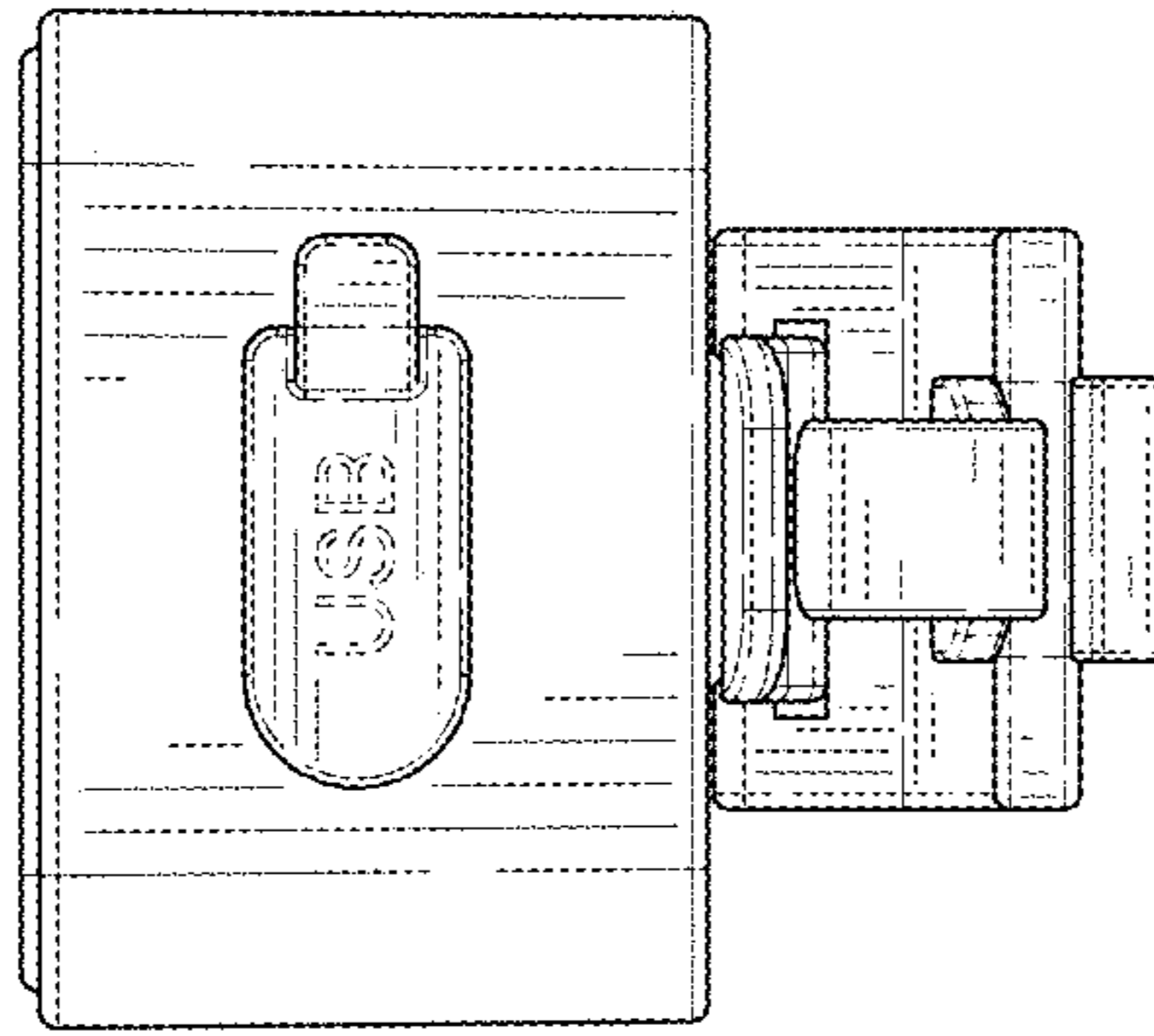


FIG. 6

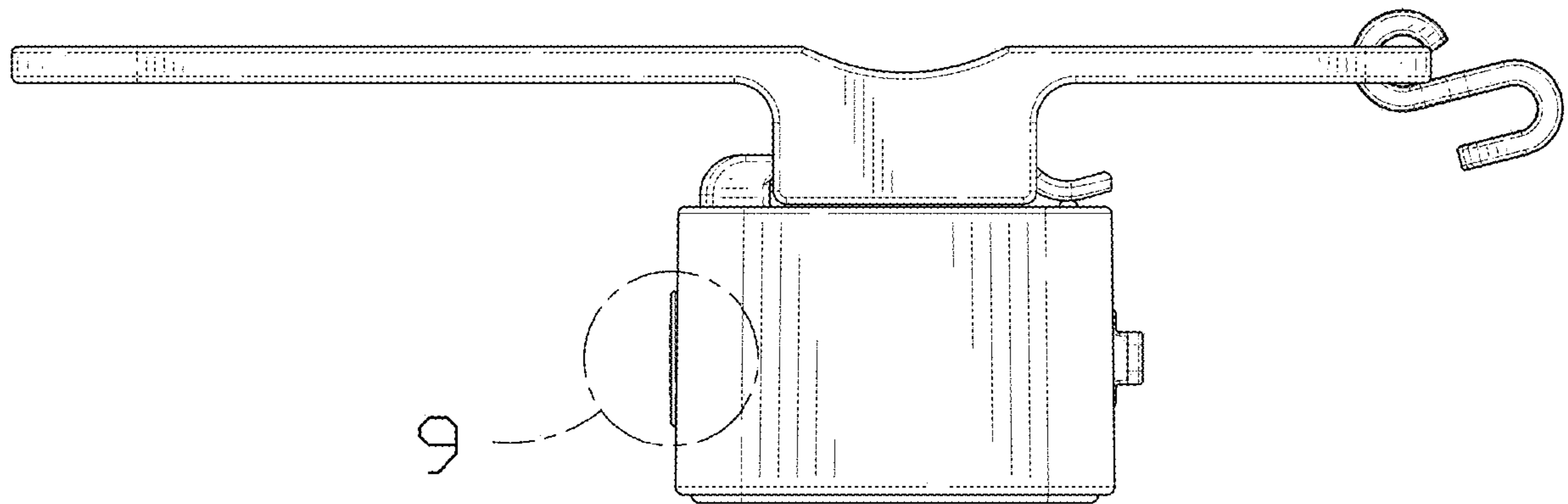


FIG. 7

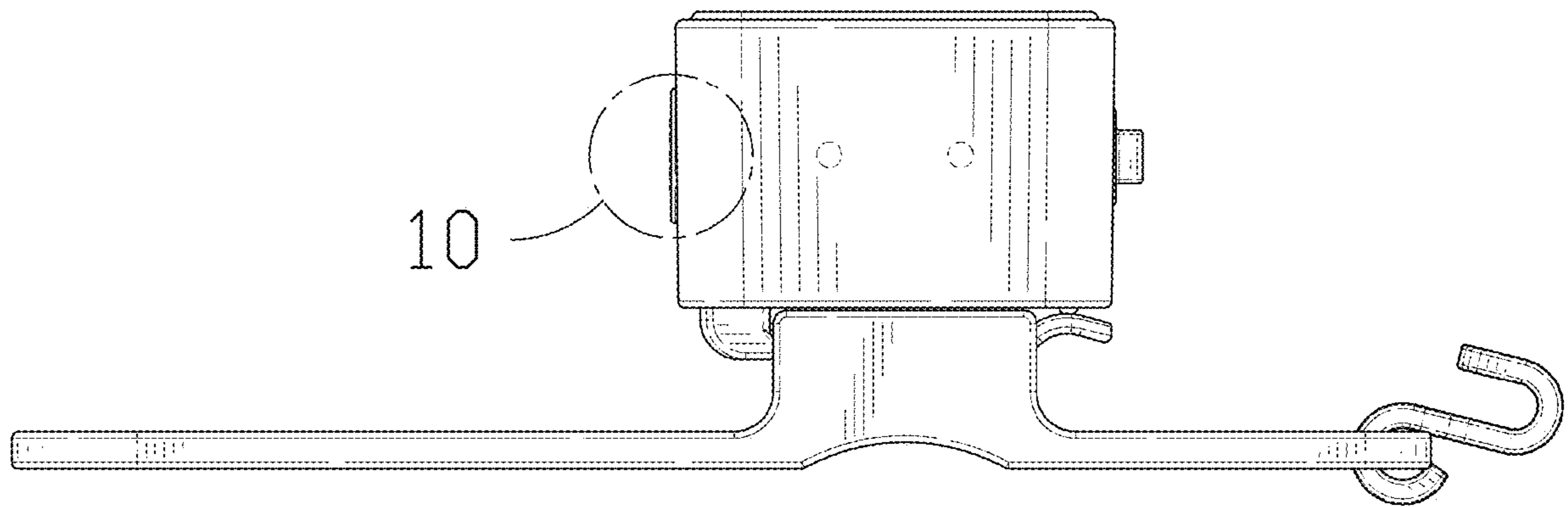


FIG. 8

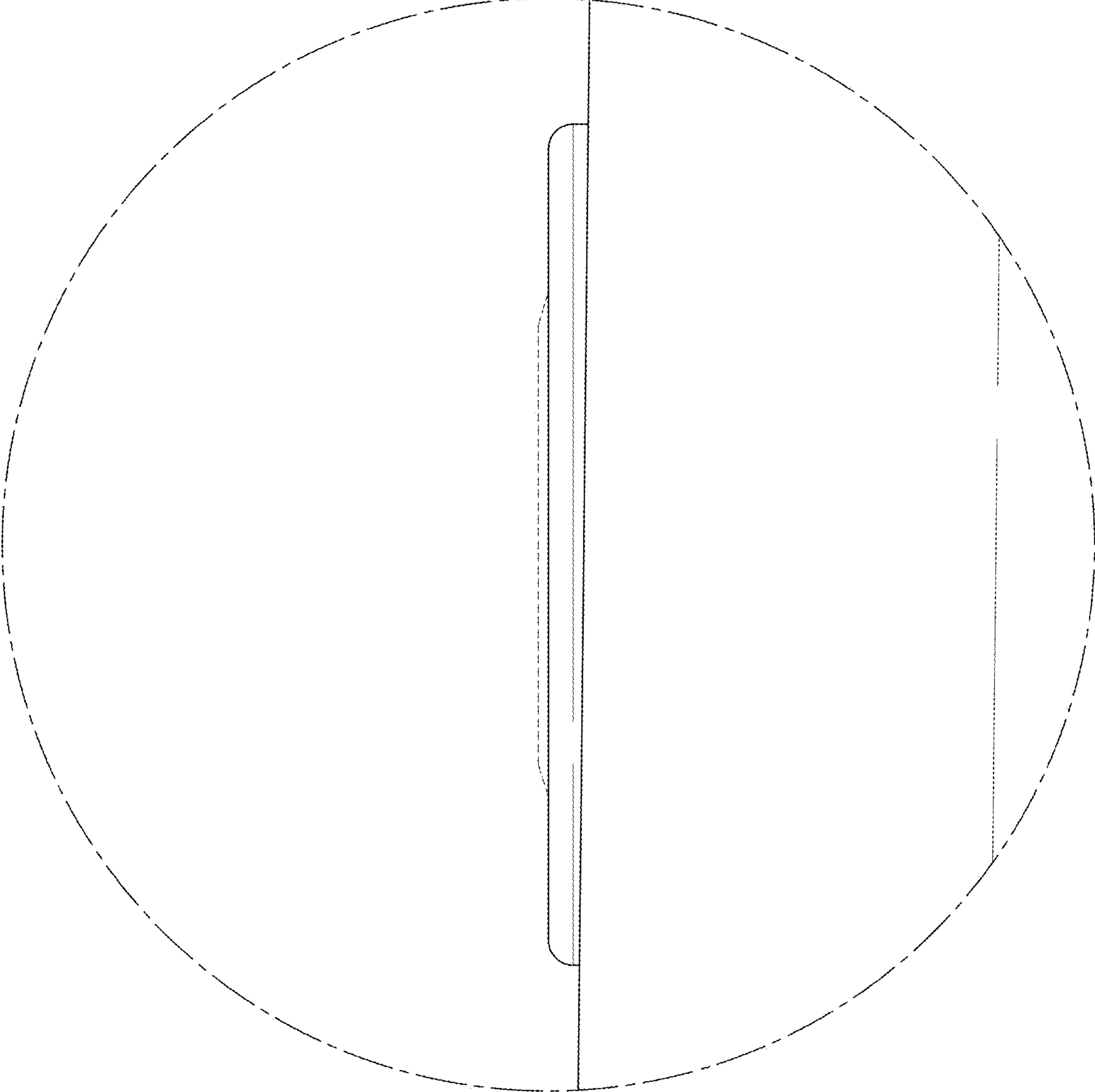


FIG. 9

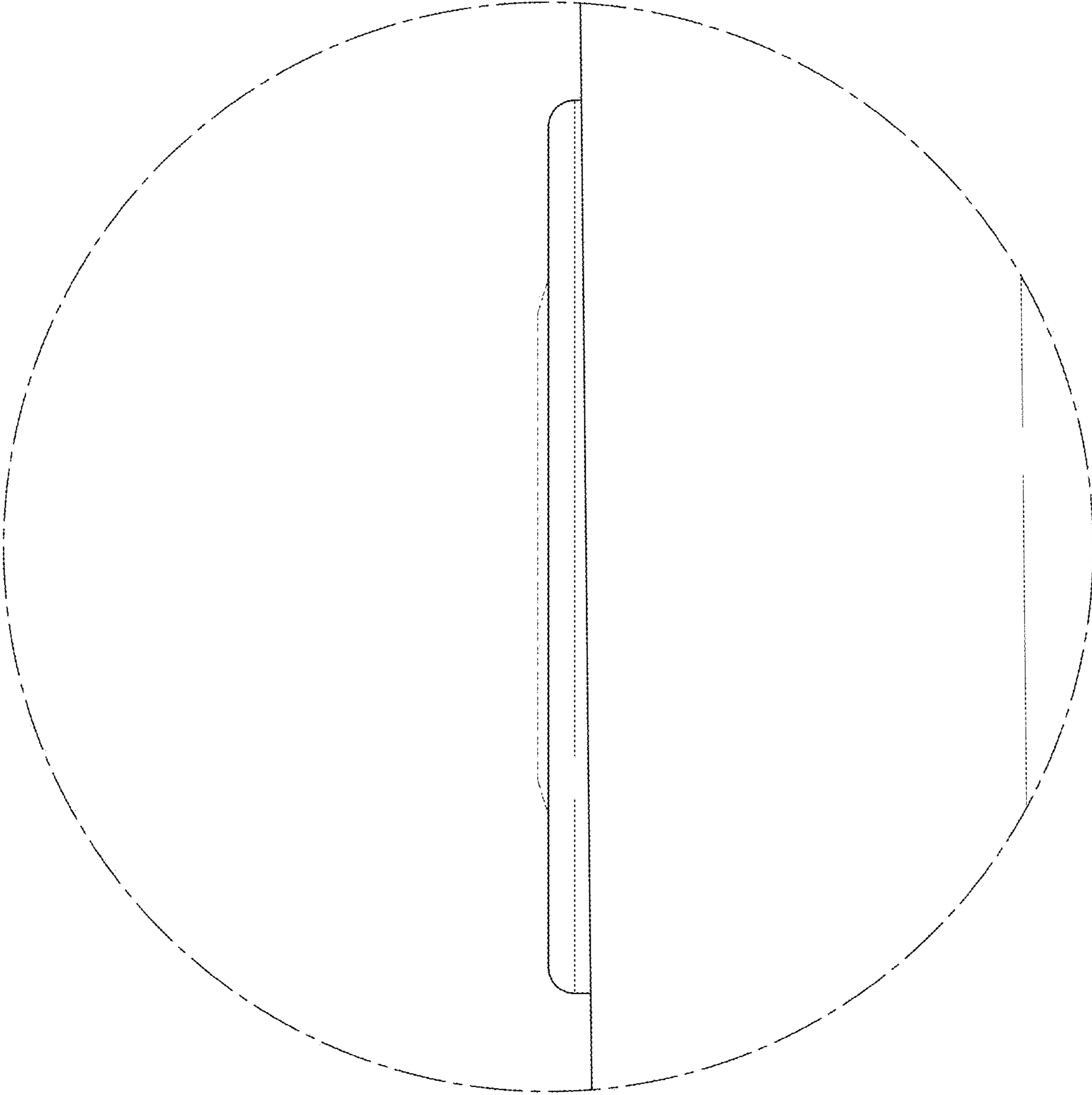


FIG. 10