



US00D988556S

(12) **United States Design Patent**
Wang

(10) **Patent No.:** **US D988,556 S**
(45) **Date of Patent:** **** Jun. 6, 2023**

(54) **WORK LIGHT**

(71) Applicant: **Ningbo Warsun International Trade Ltd, Ningbo (CN)**

(72) Inventor: **Liuquan Wang, Ningbo (CN)**

(**) Term: **15 Years**

(21) Appl. No.: **29/824,008**

(22) Filed: **Jan. 21, 2022**

(51) **LOC (14) Cl.** **26-02**

(52) **U.S. Cl.**
USPC **D26/37**

(58) **Field of Classification Search**
USPC D26/8, 37-44, 46-52, 60-61;
D10/111-115
CPC . F21L 2001/00; F21L 4/02; F21L 4/04; F21L 4/005; F21L 4/022; F21L 4/045; F21L 4/085; F21L 21/00; F21L 14/02; F21L 14/023

See application file for complete search history.

(56) **References Cited**

U.S. PATENT DOCUMENTS

- D329,504 S * 9/1992 Yuen F21V 14/025
D26/44
- D409,776 S * 5/1999 Ghode D26/42
- D441,888 S * 5/2001 Haneda D26/42
- D501,687 S * 2/2005 Kovacik D26/42
- 6,976,771 B1 * 12/2005 Galvez F21V 21/406
362/399
- D520,164 S 5/2006 Brass
- D530,843 S * 10/2006 Yamamoto D26/42
- D538,457 S * 3/2007 Kovacik D26/42
- D541,962 S * 5/2007 Bayat D26/42
- D545,469 S * 6/2007 Wikle F21V 21/406
D26/42
- D620,627 S 7/2010 Kovacik
- D626,673 S * 11/2010 Kovacik D26/42

- D647,651 S 10/2011 Leen
- D647,652 S 10/2011 Leen
- D647,653 S 10/2011 Leen
- D655,431 S 3/2012 Leen
- D656,646 S * 3/2012 Kawase D26/44
(Continued)

FOREIGN PATENT DOCUMENTS

- DE 202015004905 U1 * 8/2015 F21L 4/04
- KR 301120441.0000 * 7/2021
- KR 301144919.0000 * 1/2022

OTHER PUBLICATIONS

“Warsun LED Work Light,” Nov. 2, 2021, newegg.com, site visited Jul. 21, 2022, URL: <https://www.newegg.com/warsun-dj60-led/p/0AB-009F-00002> (Year: 2021).*

(Continued)

Primary Examiner — Lauren D McVey
Assistant Examiner — Sarah L Smith
(74) *Attorney, Agent, or Firm* — Rumit Ranjit Kanakia

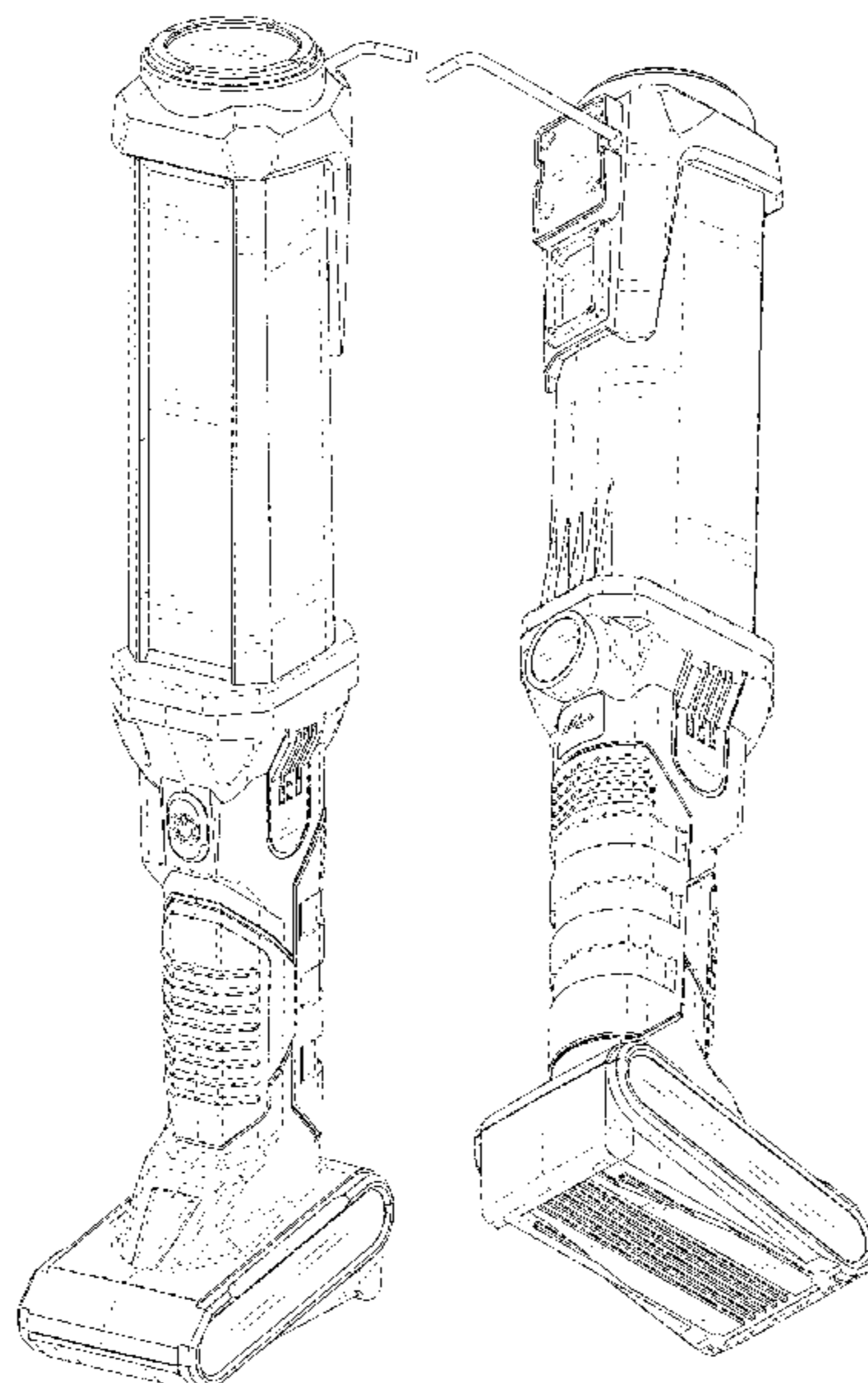
(57) **CLAIM**

The ornamental design for a work light, as shown and described.

DESCRIPTION

FIG. 1 is a perspective view of a work light showing my new design;
FIG. 2 is another perspective view thereof;
FIG. 3 is a front elevational view thereof;
FIG. 4 is a rear elevational view thereof;
FIG. 5 is a left side view thereof;
FIG. 6 is a right side view thereof;
FIG. 7 is a top plan view thereof; and,
FIG. 8 is a bottom plan view thereof.
The broken lines in the figures are for the purpose of illustrating portions of the work light, which form no part of the claimed design.

1 Claim, 6 Drawing Sheets



(56)

References Cited

U.S. PATENT DOCUMENTS

D689,640	S	9/2013	Leen	
D691,310	S *	10/2013	Zhou	D26/37
D742,568	S *	11/2015	Abernethy	D26/42
D742,569	S *	11/2015	Dorman	D26/45
D750,825	S *	3/2016	Bryant	D26/42
D752,792	S *	3/2016	Grandadam	D26/42
D766,478	S *	9/2016	Zhang	D26/44
9,541,244	B1 *	1/2017	Berezinski	F21V 21/0965
D810,335	S *	2/2018	Levy	D26/37
D858,837	S *	9/2019	Vasquez	D26/37
D889,714	S *	7/2020	Green	D26/43
D899,644	S *	10/2020	Dorman	D26/40
D951,793	S *	5/2022	Joyce	D10/114.9
2014/0140050	A1 *	5/2014	Wong	F21V 14/025 362/217.1

OTHER PUBLICATIONS

“Rechargeable LED Work Light,” Nov. 15, 2021, amazon.com, site visited Jul. 21, 2022, URL: <https://www.amazon.com/Rechargeable-Magnetic-Portable-Cordless-Waterproof/dp/B09LV6CMGM?th=1> (Year: 2021).*

“Warsun LED Work Light,” Jul. 20, 2021, amazon.com, site visited Jul. 21, 2022, URL: <https://www.amazon.com/WARSUN-Rechargeable-Flashlight-Worklight-Inspection/dp/B0967KD1M3> (Year: 2021).*

* cited by examiner

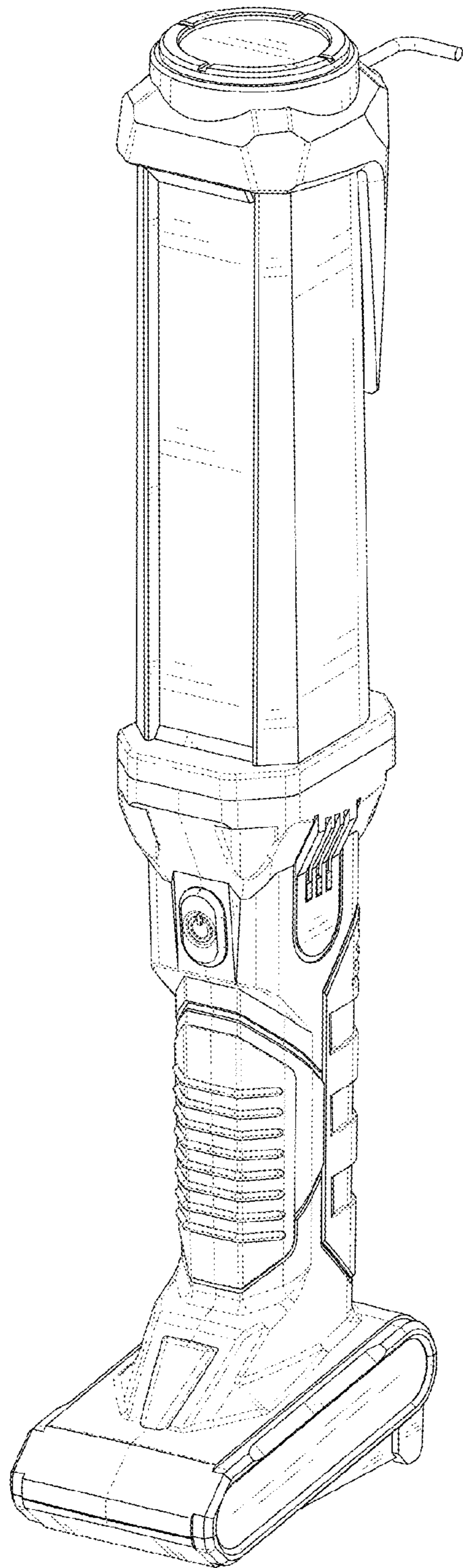


FIG. 1

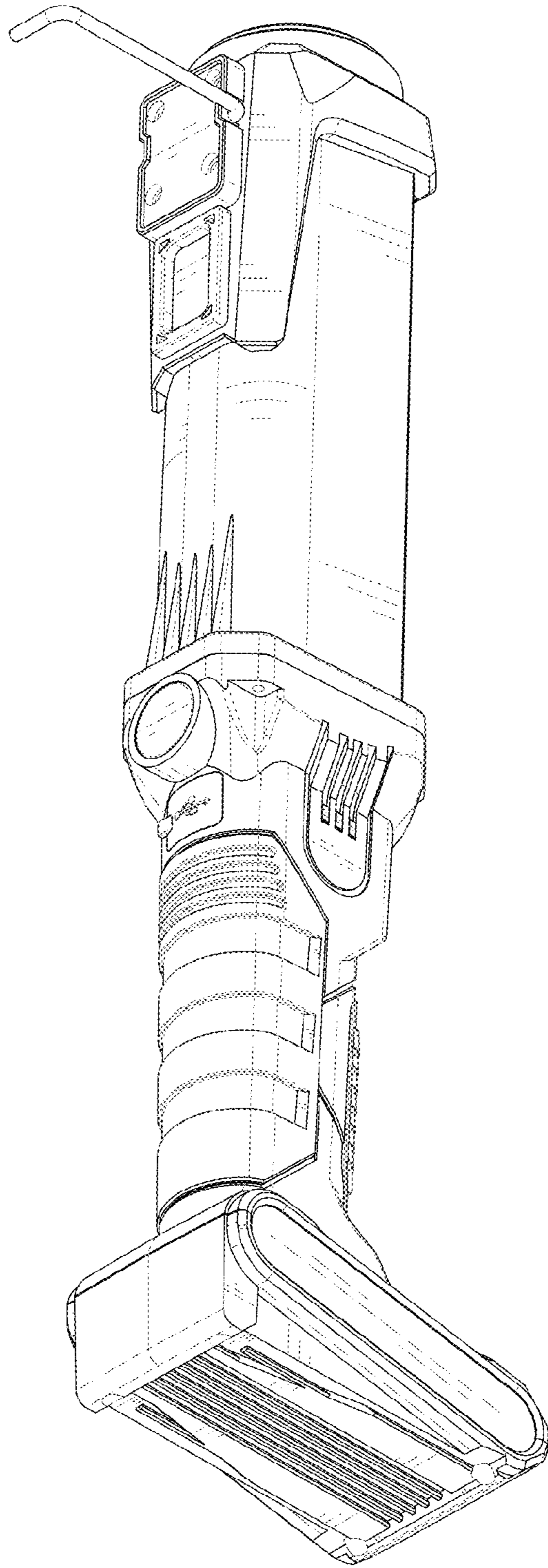


FIG. 2

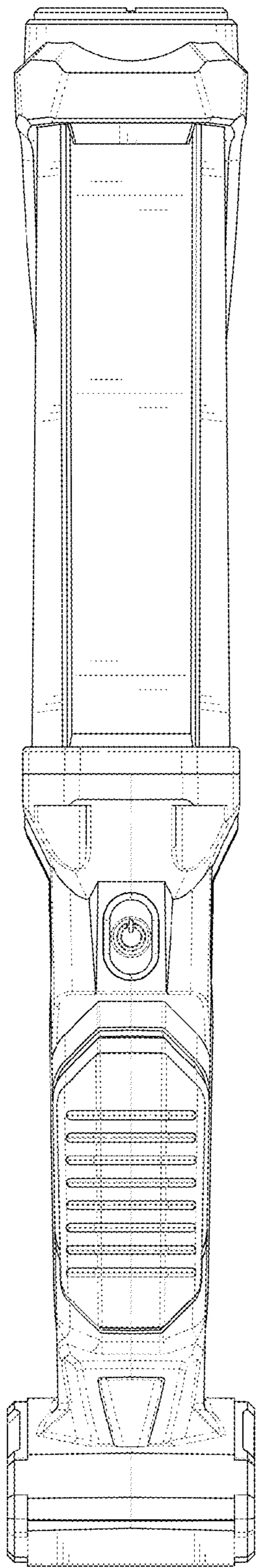


FIG. 3

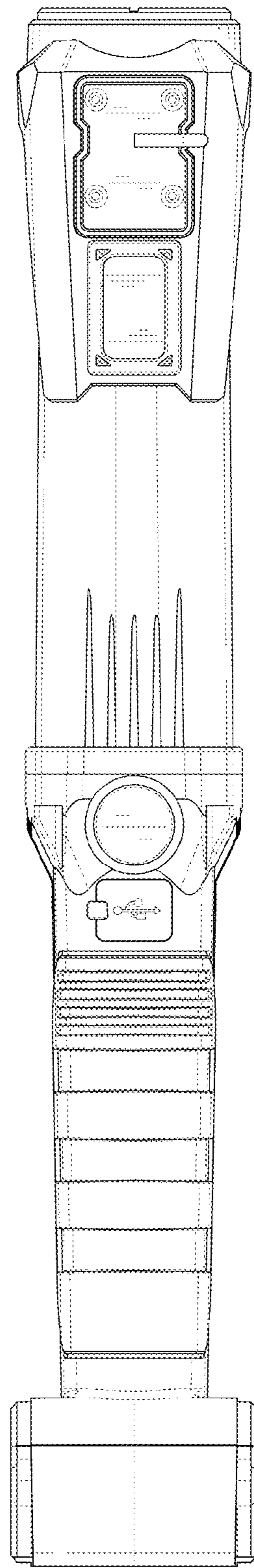


FIG. 4

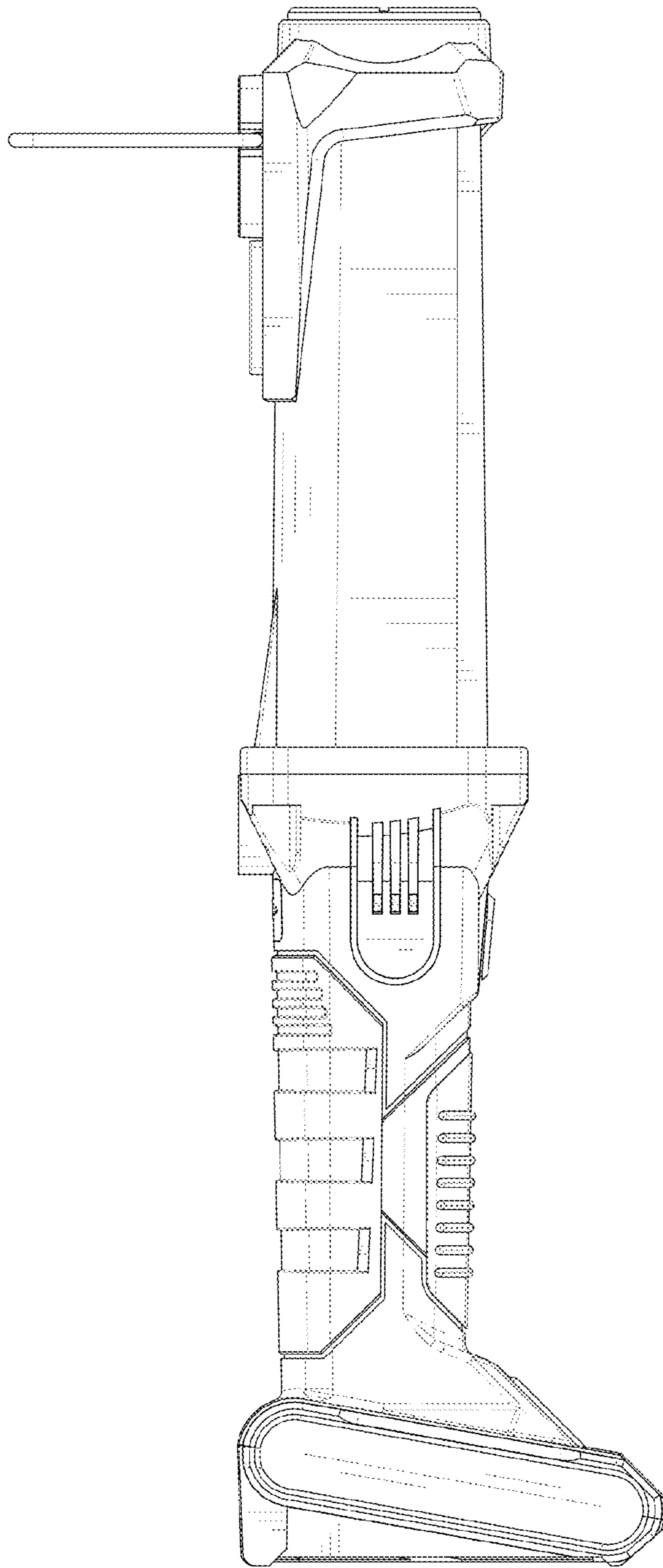


FIG. 5

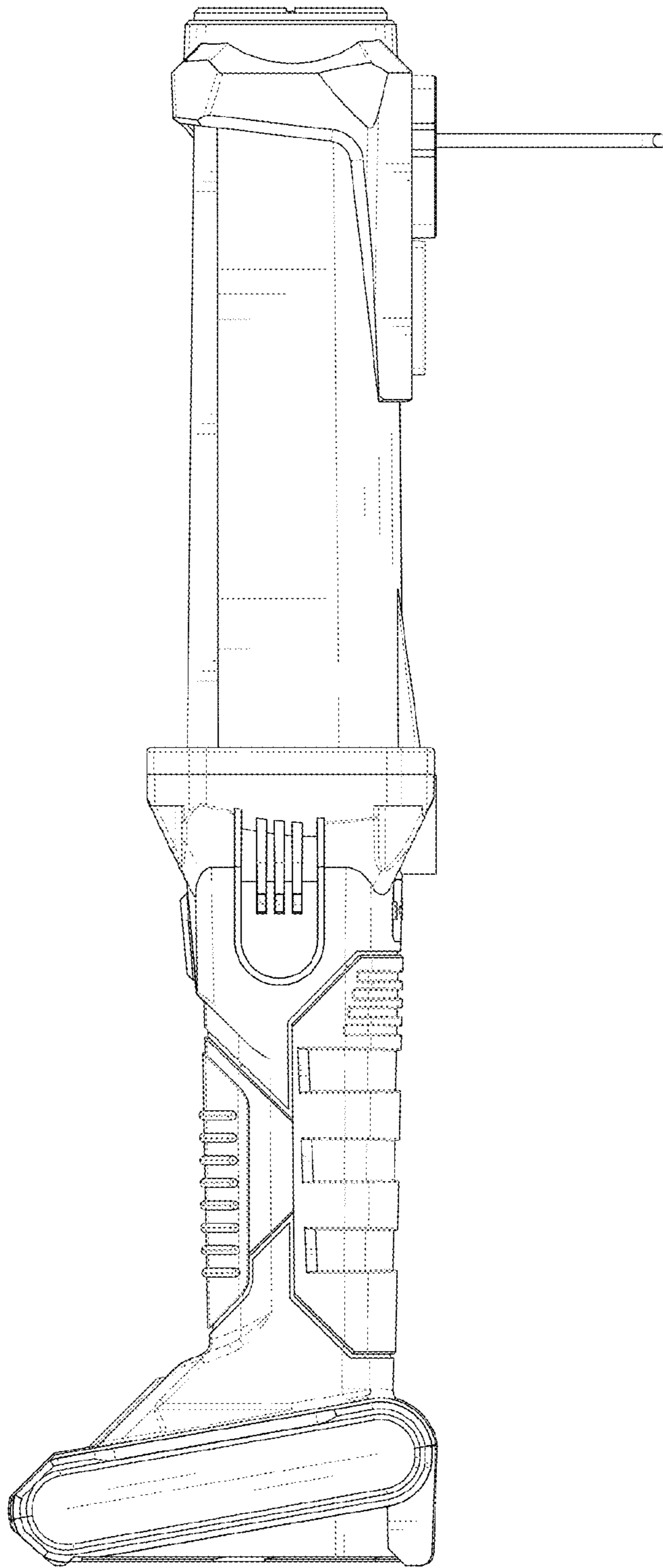


FIG. 6

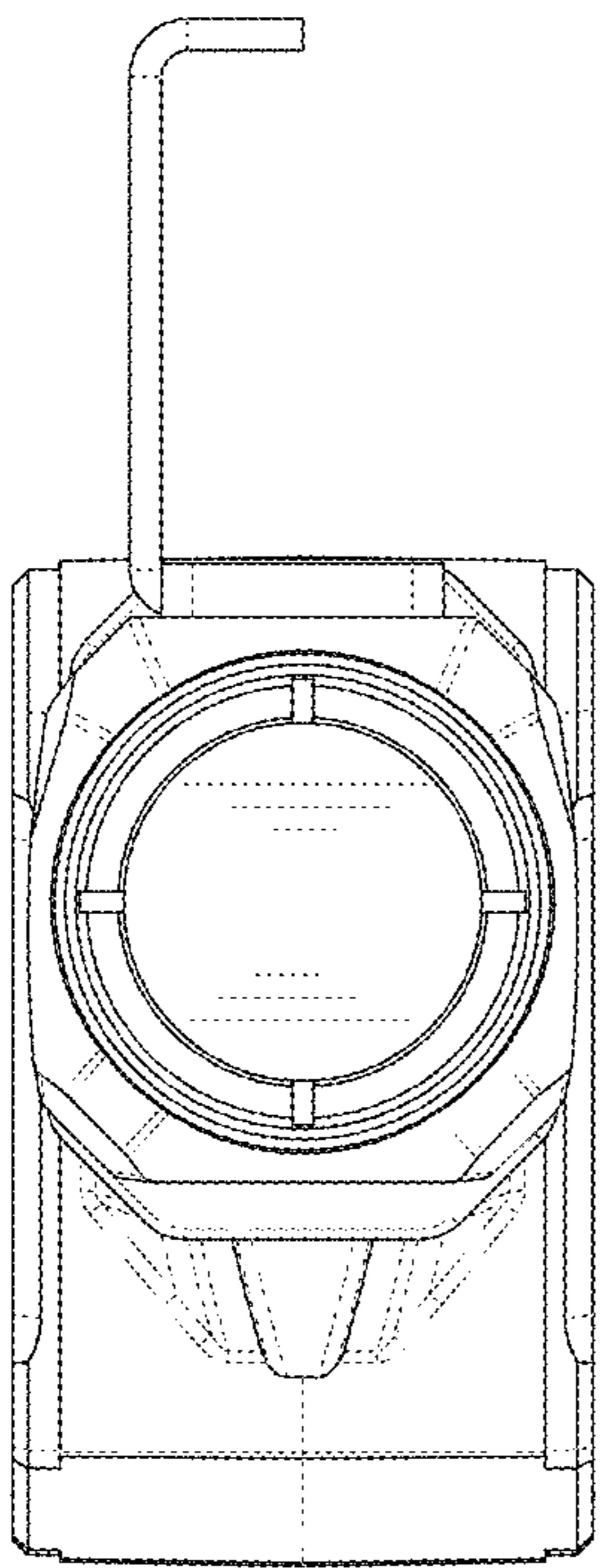


FIG. 7

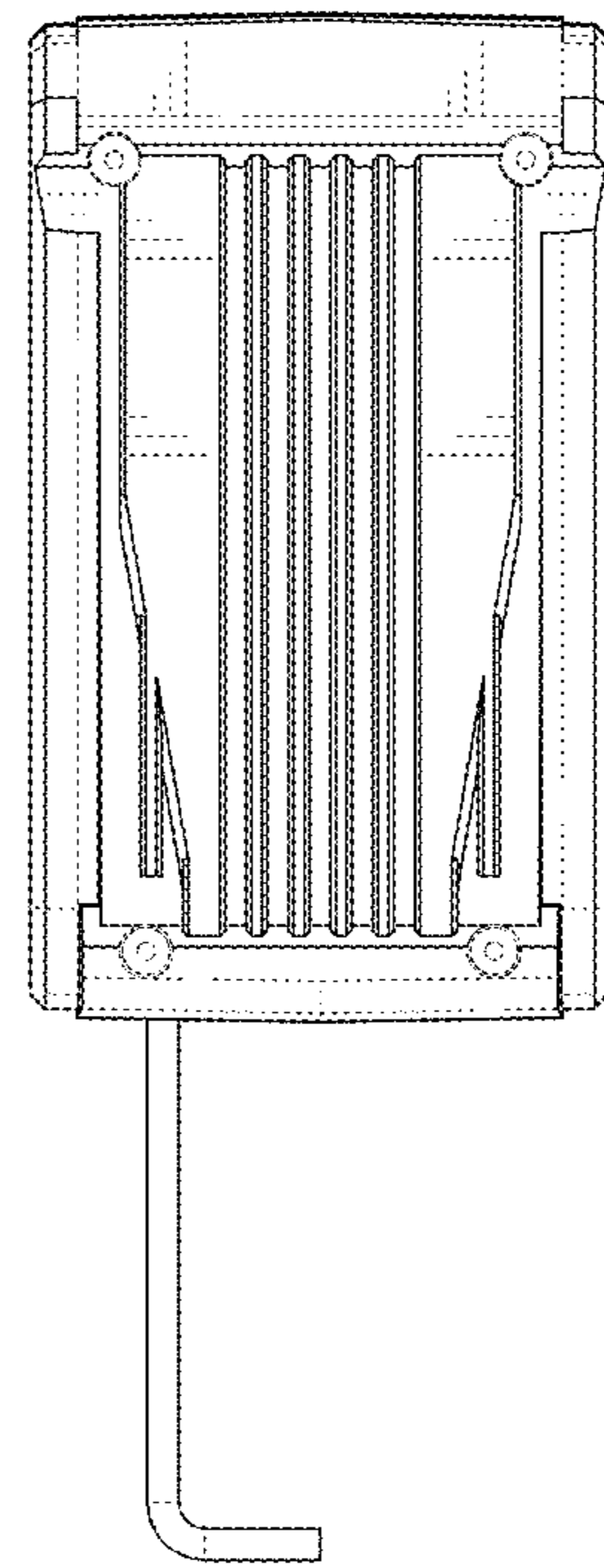


FIG. 8