



US00D988555S

(12) **United States Design Patent** (10) **Patent No.:** **US D988,555 S**
Oake, Jr. (45) **Date of Patent:** **** *Jun. 6, 2023**

(54) **VEHICLE TAIL LAMP**
(71) Applicant: **Robert G. Oake, Jr.**, Allen, TX (US)
(72) Inventor: **Robert G. Oake, Jr.**, Allen, TX (US)
(*) Notice: This patent is subject to a terminal disclaimer.
(**) Term: **15 Years**
(21) Appl. No.: **29/848,631**
(22) Filed: **Aug. 4, 2022**
(51) **LOC (14) Cl.** **26-06**
(52) **U.S. Cl.**
USPC **D26/28**
(58) **Field of Classification Search**
USPC D26/1, 24, 27, 28, 29, 34, 35, 36, 113, D26/139
CPC .. F21S 41/00; F21S 41/10; F21S 41/12; F21S 41/125; F21S 41/135; F21S 41/14; F21S 41/141; F21S 41/151; F21S 41/16; F21S 41/17; F21S 41/18; F21S 41/19; F21S 41/20; F21S 41/255; F21S 41/275; F21S 41/28; F21S 41/285
See application file for complete search history.

D866,824 S * 11/2019 Lin D26/28
D871,624 S * 12/2019 Lin D26/28
D877,945 S 3/2020 Betancourt
(Continued)

FOREIGN PATENT DOCUMENTS

CA 175090 * 3/2019
CN 301500758 S 3/2011
(Continued)

OTHER PUBLICATIONS

Amazon, "Ford Genuine CA8Z-13405-A Tail Lamp Assembly", first available Oct. 17, 2013. (<https://www.amazon.com/Genuine-Ford-CA8Z-13405-Tail-Assembly/dp/B00FYLREEU>) (Year: 2013).*
(Continued)

Primary Examiner — Leanne Was-Englehart
Assistant Examiner — Justin A Johnson

(57) **CLAIM**

The ornamental design for a vehicle tail lamp, as shown and described.

DESCRIPTION

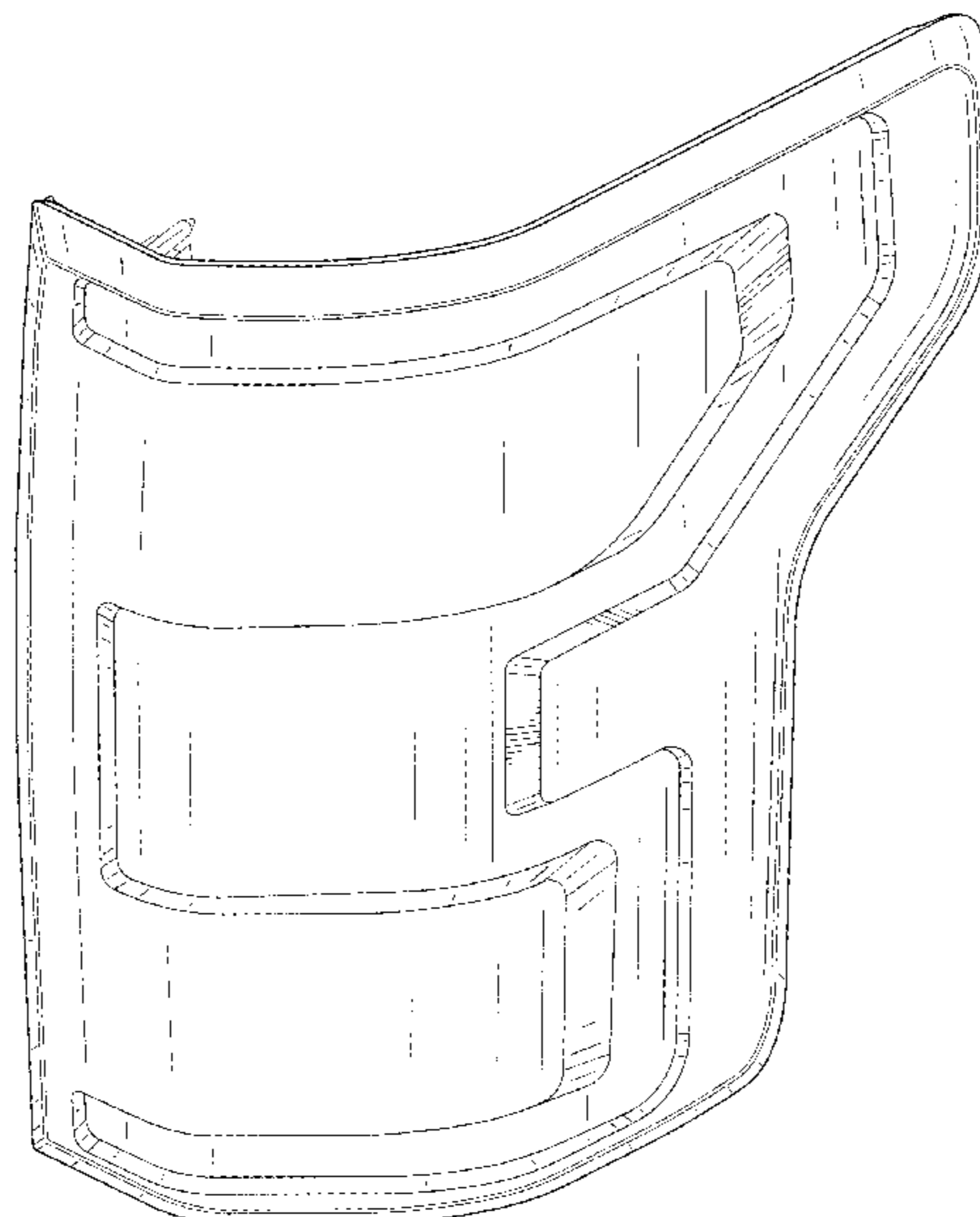
FIG. 1 is a top front perspective view of a vehicle tail lamp, showing my new design;
FIG. 2 is a bottom front perspective view thereof;
FIG. 3 is a top rear perspective view thereof;
FIG. 4 is a front elevational view thereof;
FIG. 5 is a rear elevational view thereof;
FIG. 6 is a right side elevational view thereof;
FIG. 7 is a left side elevational view thereof;
FIG. 8 is a top plan view thereof; and,
FIG. 9 is a bottom plan view thereof.
The dashed broken lines in the figures depict portions of the vehicle tail lamp that form no part of the claimed design. The dot-dashed broken lines represent boundaries of the claimed vehicle tail lamp. The dot-dashed broken lines form no part of the claimed design.

(56) **References Cited**

U.S. PATENT DOCUMENTS

D612,960 S * 3/2010 Bucher D26/28
D738,004 S * 9/2015 Lai D26/28
D750,291 S * 2/2016 Platto D26/28
D750,292 S * 2/2016 Platto D26/28
D764,690 S * 8/2016 Lai D26/28
D785,826 S 5/2017 Swenson
D806,291 S 12/2017 Platto
D806,292 S 12/2017 Platto
D831,247 S * 10/2018 Lin D26/28
D851,794 S * 6/2019 Lin D26/28
D857,257 S * 8/2019 Lin D26/28

1 Claim, 9 Drawing Sheets



(56)

References Cited

U.S. PATENT DOCUMENTS

D892,369 S * 8/2020 Lin D26/28
D893,775 S * 8/2020 Lin D26/28
D907,263 S * 1/2021 Lin D26/28

FOREIGN PATENT DOCUMENTS

CN 301649211 S 8/2011
CN 301926881 S 5/2012
CN 301970156 S 6/2012
CN 302156562 S 10/2012
CN 302711217 S 1/2014
CN 303184255 S 4/2015
CN 304976950 S 1/2019
CN 305526228 S 12/2019
CN 305539422 S 1/2020
CN 305599478 S 2/2020
CN 305907651 S 7/2020
CN 306354724 S 2/2021
CN 306445700 S 4/2021

OTHER PUBLICATIONS

Taiwan Excellence, "Eagle Eyes pickup truck headlight", first available 2018. (<https://www.taiwanexcellence.org/en/award/product/39117>) (Year: 2018).*

Parts Geek, "Tail Light Set—2018-2020 Ford F150", first available Jun. 8, 2020. (<https://www.partsgeek.com/k8mxzt9-ford-f150-tail-light-set.html>) (Year: 2020).*

Parts Geek, "Right Passenger Side Tail Light Assembly", first available Aug. 7, 2021. (<https://www.partsgeek.com/zxgqxg1-ford-f150-tail-light-assembly.html>) (Year: 2021).*

* cited by examiner

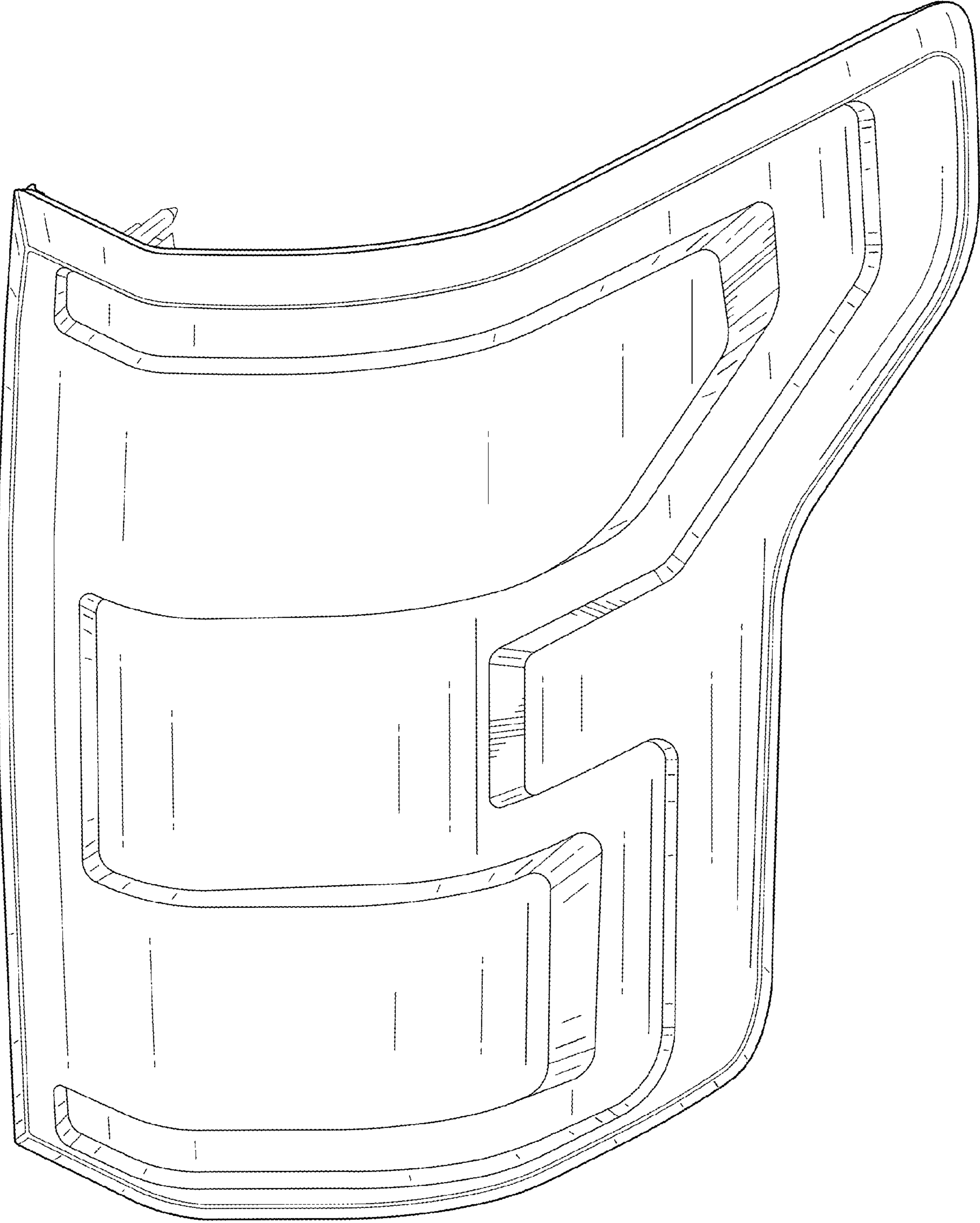


FIG. 1

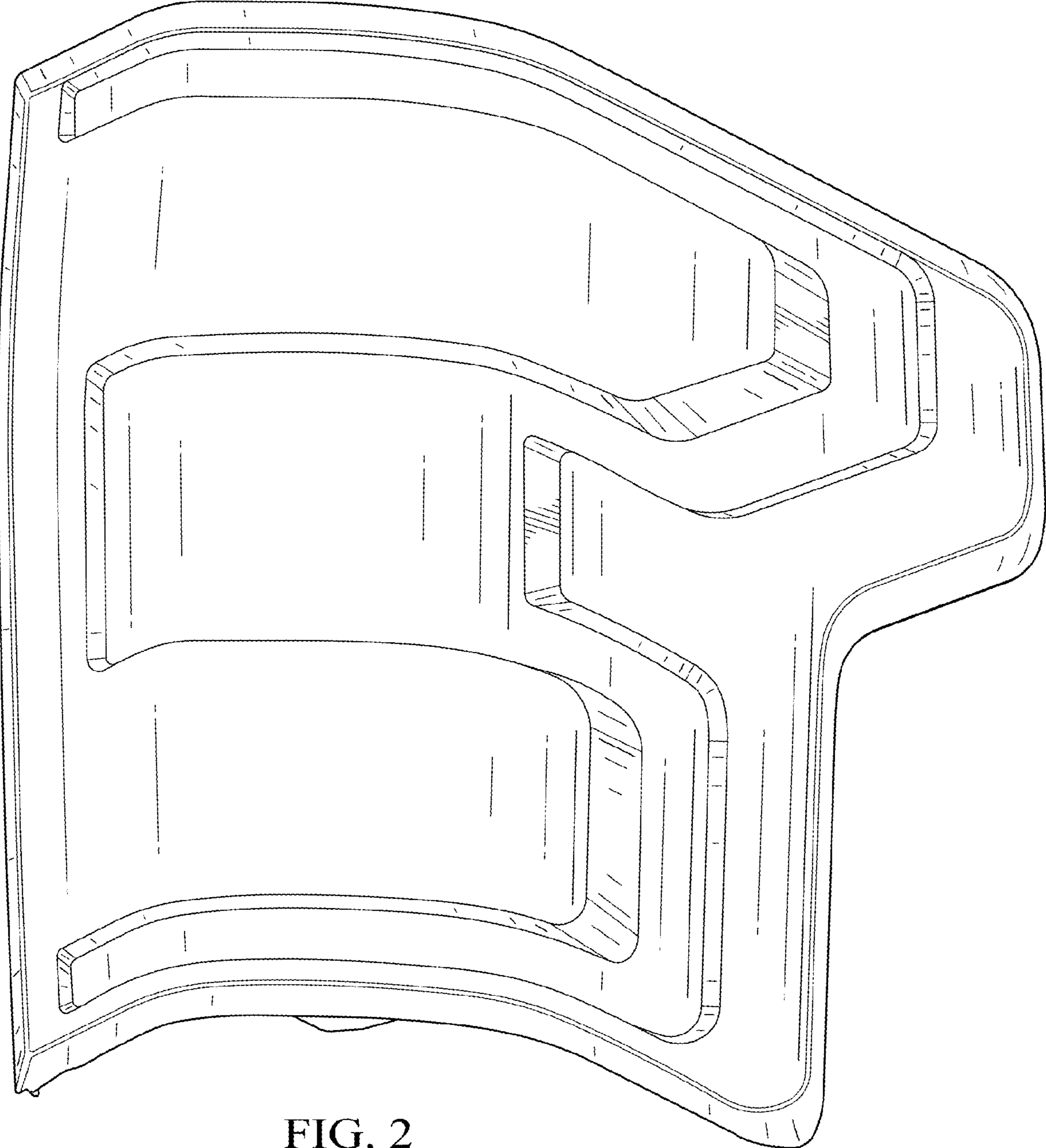


FIG. 2

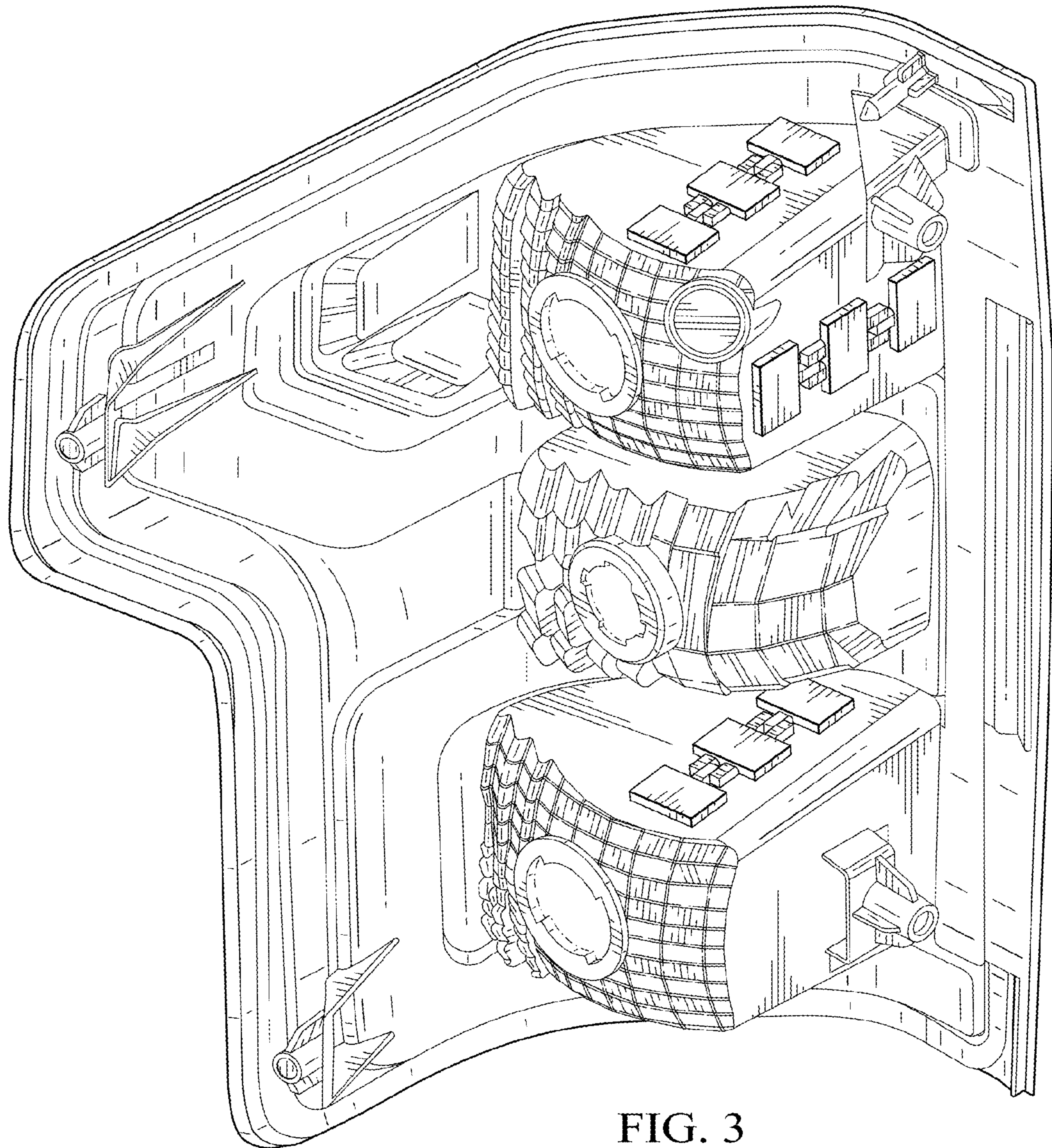


FIG. 3

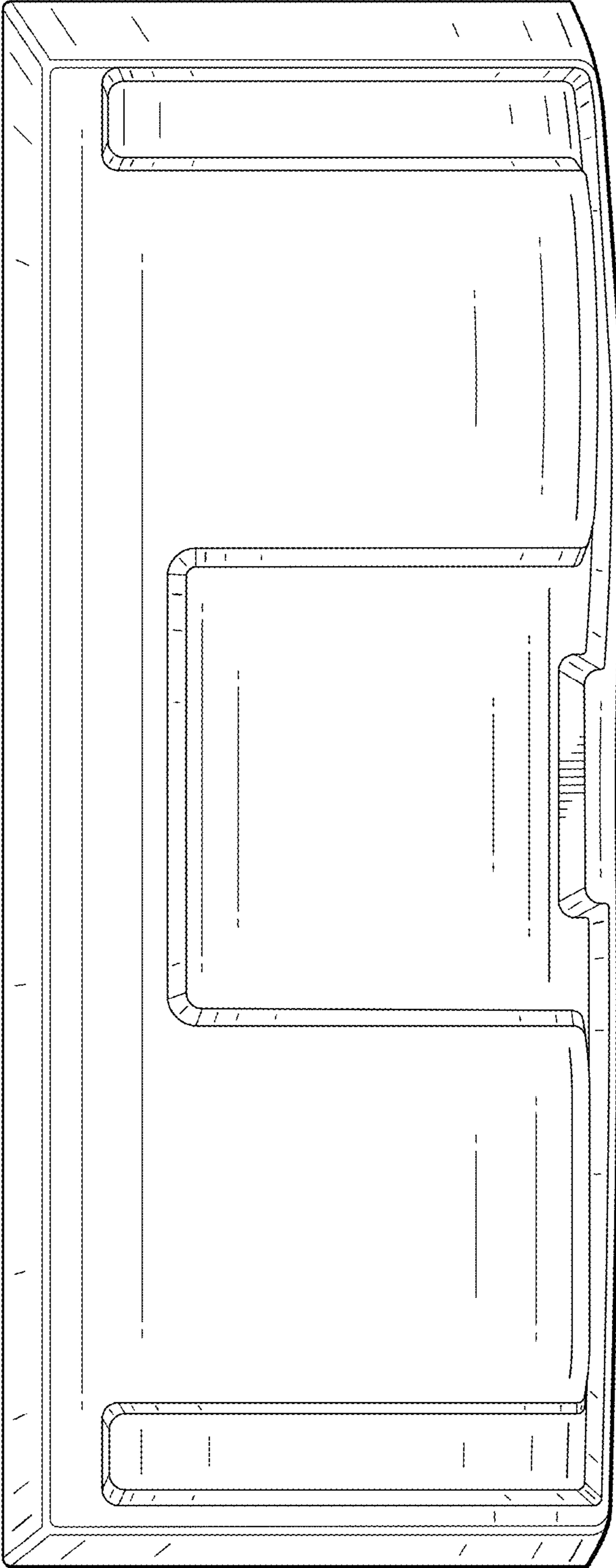


FIG. 4

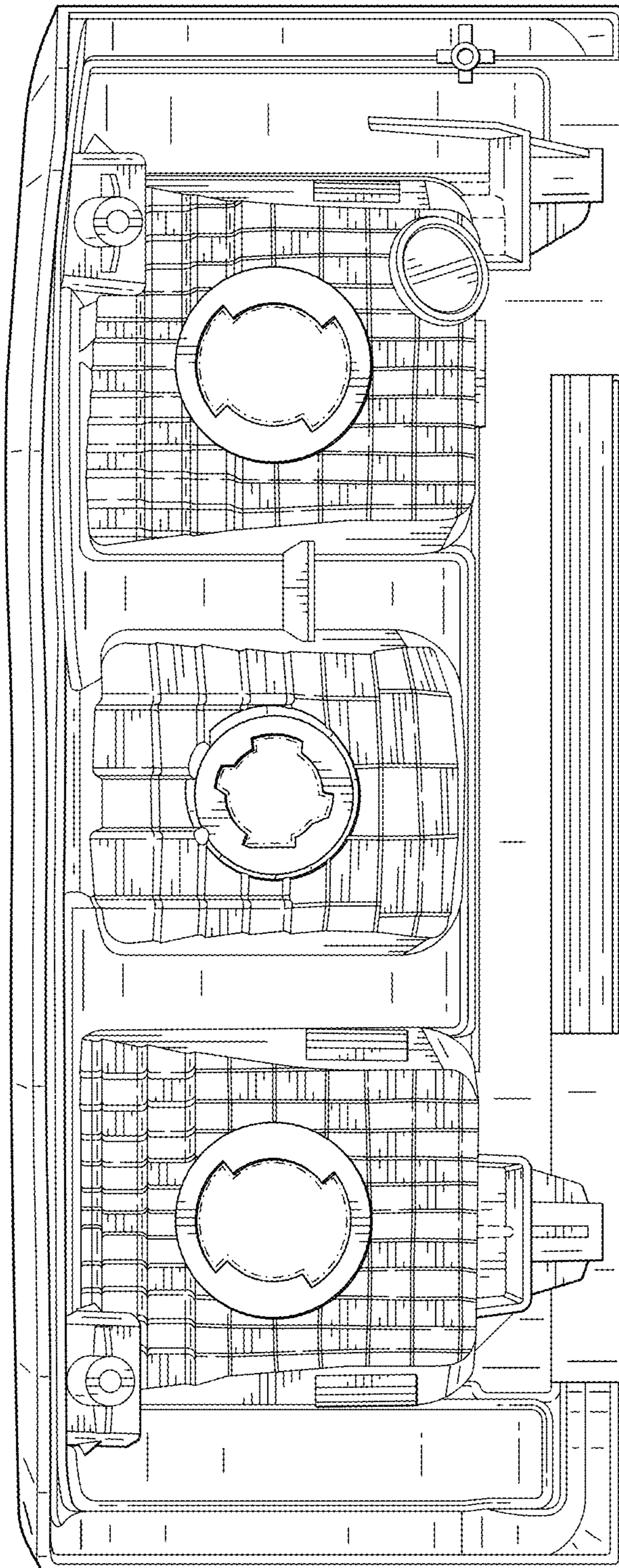


FIG. 5

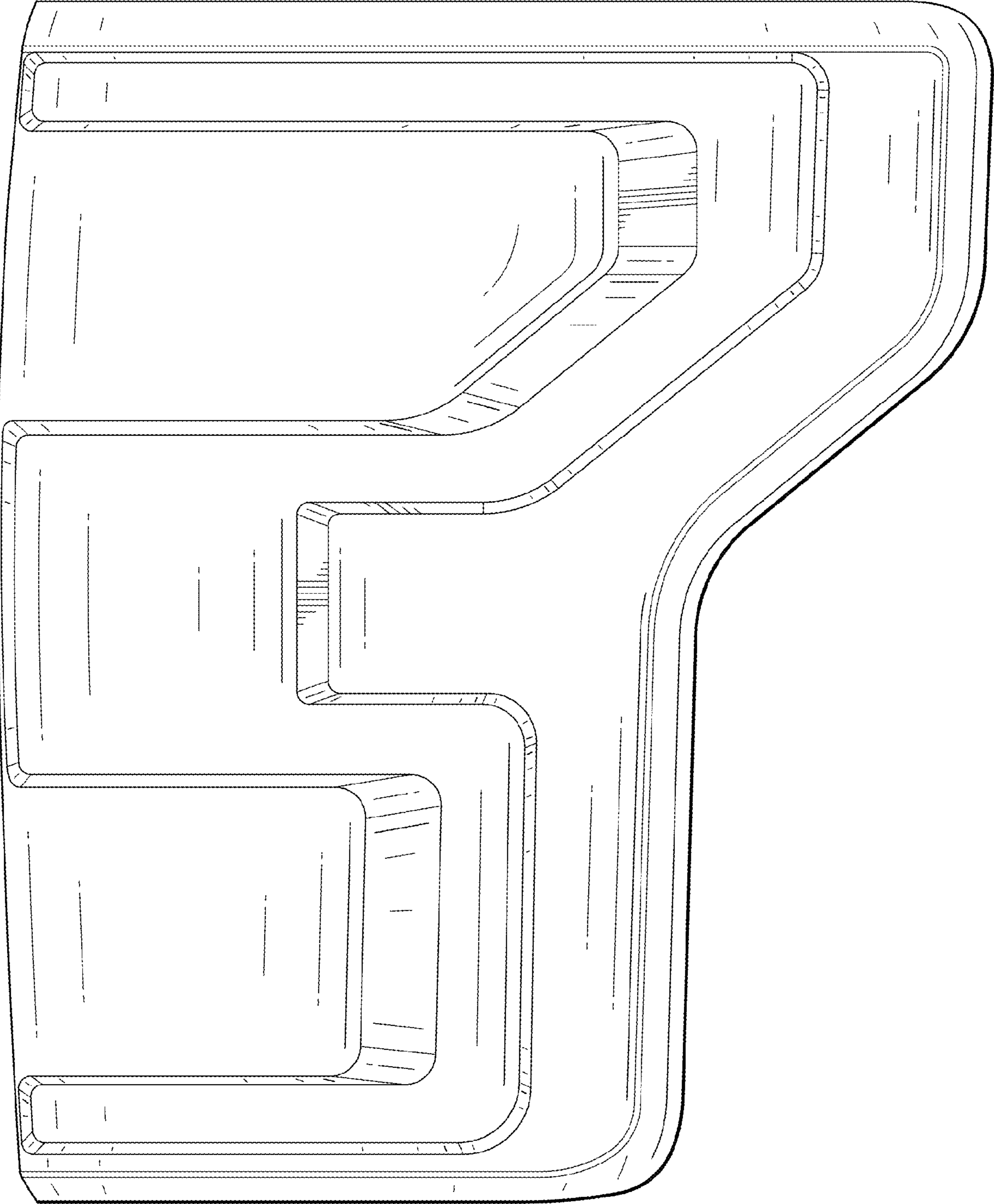


FIG. 6

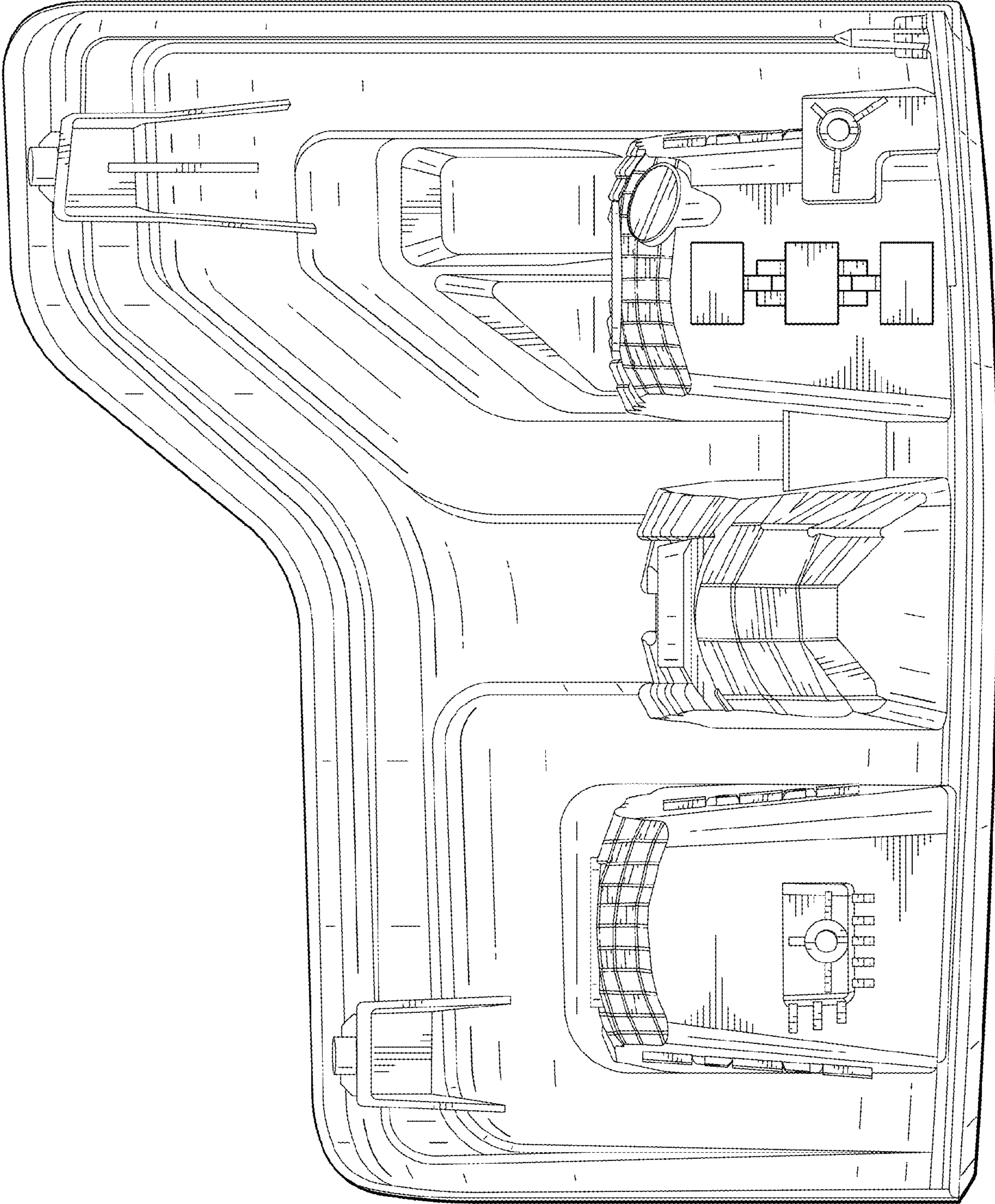


FIG. 7

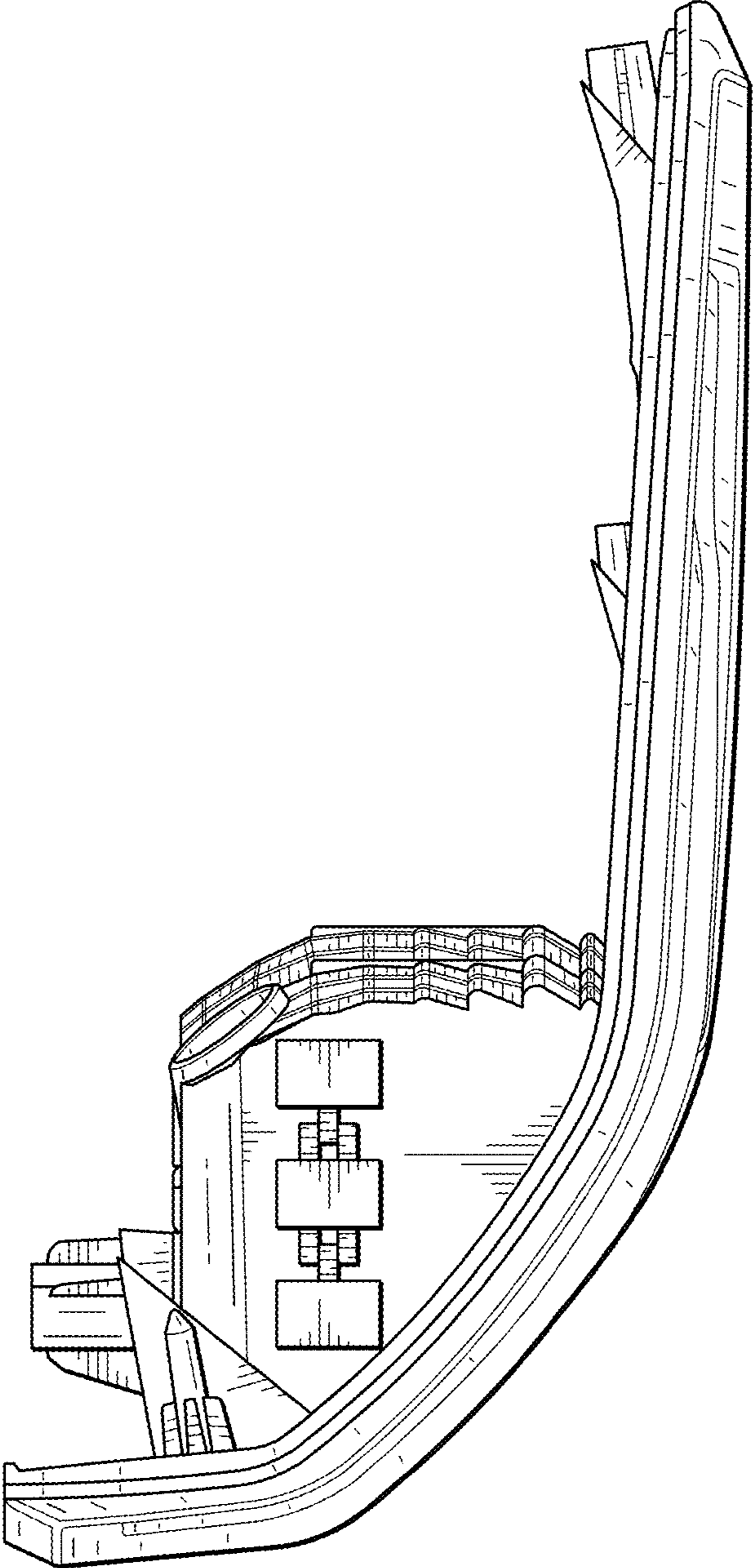


FIG. 8

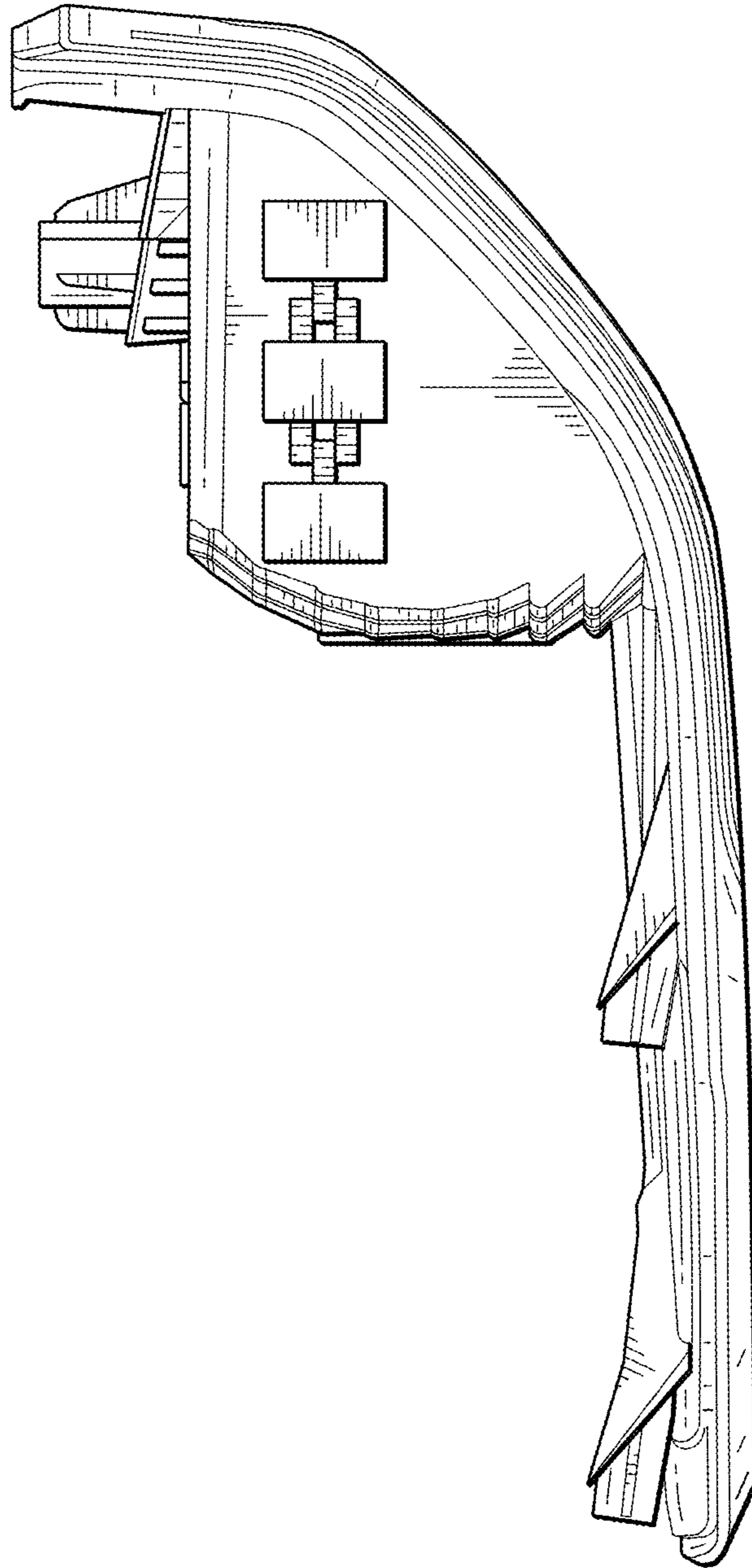


FIG. 9