



US00D988553S

(12) **United States Design Patent** (10) **Patent No.:** **US D988,553 S**  
**Oake, Jr.** (45) **Date of Patent:** **\*\* \*Jun. 6, 2023**

(54) **VEHICLE HEADLAMP**  
(71) Applicant: **Robert G. Oake, Jr.**, Allen, TX (US)  
(72) Inventor: **Robert G. Oake, Jr.**, Allen, TX (US)  
(\* ) Notice: This patent is subject to a terminal disclaimer.

D855,848 S \* 8/2019 Lai ..... D26/28  
D858,820 S \* 9/2019 McMahan ..... D26/28  
D865,245 S 10/2019 Kim  
D889,700 S 7/2020 Wang  
D913,544 S 3/2021 Thomas  
D921,941 S \* 6/2021 Lin ..... D26/28  
D939,115 S \* 12/2021 Chen ..... D26/28

(Continued)

(\*\*) Term: **15 Years**

(21) Appl. No.: **29/847,971**

(22) Filed: **Jul. 28, 2022**

(51) **LOC (14) Cl.** ..... **26-06**

(52) **U.S. Cl.**  
USPC ..... **D26/28**

(58) **Field of Classification Search**  
USPC ..... D26/1, 24, 27, 28, 29, 34, 35, 36, 113,  
D26/139

CPC .. F21S 41/00; F21S 41/10; F21S 41/12; F21S  
41/125; F21S 41/135; F21S 41/14; F21S  
41/141; F21S 41/151; F21S 41/16; F21S  
41/17; F21S 41/18; F21S 41/19; F21S  
41/20; F21S 41/255; F21S 41/275; F21S  
41/28; F21S 41/285

See application file for complete search history.

(56) **References Cited**

**U.S. PATENT DOCUMENTS**

D570,017 S \* 5/2008 Hsu ..... D26/28  
D636,506 S \* 4/2011 Kim ..... D26/28  
D677,813 S \* 3/2013 Hanaoka ..... D26/28  
D691,305 S 10/2013 Choi  
D732,720 S 6/2015 Mays  
D776,841 S \* 1/2017 Kozub ..... D26/28  
D776,843 S \* 1/2017 McCabe ..... D26/28  
D791,988 S \* 7/2017 Lin ..... D26/28  
D810,974 S \* 2/2018 Sato ..... D26/28  
D818,163 S 5/2018 Ha  
D833,659 S 11/2018 Lee  
D838,016 S \* 1/2019 McMahan ..... D26/28

**FOREIGN PATENT DOCUMENTS**

CN 304469042 S 1/2018  
CN 305830514 S 6/2019

(Continued)

**OTHER PUBLICATIONS**

Amazon, "Ford Genuine BG1Z-13008-B Headlamp Assembly", first available Oct. 23, 2012. (<https://www.amazon.com/Genuine-Ford-BG1Z-13008-B-Headlamp-Assembly/dp/B008Y8BOH8>) (Year: 2012).\*

(Continued)

*Primary Examiner* — Leanne Was-Englehart

*Assistant Examiner* — Justin A Johnson

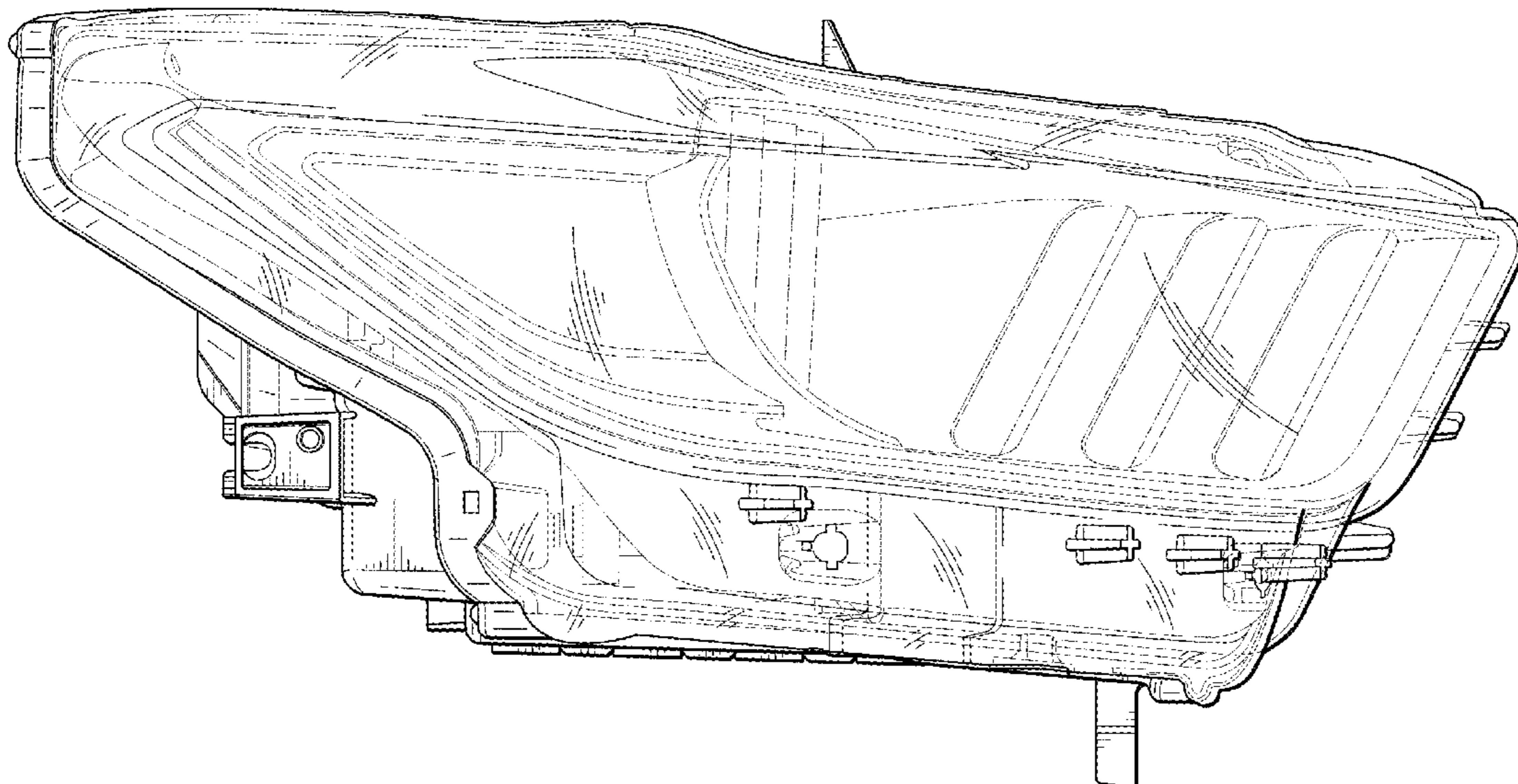
(57) **CLAIM**

The ornamental design for a vehicle headlamp, as shown and described.

**DESCRIPTION**

FIG. 1 is a right side elevational view of a vehicle headlamp; FIG. 2 is a left side elevational view thereof; FIG. 3 is a front elevational view thereof; FIG. 4 is a top plan view thereof; FIG. 5 is a bottom plan view thereof; FIG. 6 is a front perspective view thereof; and, FIG. 7 is a bottom perspective view thereof. The broken lines in the figures depict portions of the vehicle headlamp that form no part of the claimed design.

**1 Claim, 7 Drawing Sheets**



(56)

**References Cited**

U.S. PATENT DOCUMENTS

D950,811 S \* 5/2022 Jevremovic ..... D26/28  
D957,016 S 7/2022 Lee  
D958,418 S 7/2022 Choi

FOREIGN PATENT DOCUMENTS

CN 305386474 S 10/2019  
CN 305442522 S 11/2019  
CN 306275153 S 1/2021  
CN 306615806 S 6/2021  
CN 306633029 S 6/2021  
CN 306633036 S 6/2021  
CN 306764166 S 8/2021  
CN 307022157 S 12/2021  
TW 166193-0001 \* 2/2015

OTHER PUBLICATIONS

Amazon, Ford Genuine BG1Z-13008—A Headlamp Assembly, first available Feb. 1, 2013. (<https://www.amazon.com/Genuine-Ford-BG1Z-13008-A-Headlamp-Assembly/dp/B008Y8BNKG>) (Year: 2013).\*

Ford, “Lamp. Sealed Beam Headlight—Left, Front (Shelby)”, first accessed Oct. 7, 2022. (<https://parts.ford.com/shop/en/us/electrical/headlamps/lamp-assy-7824275-1?pdp=y>) (Year: 2022).\*

Ford Parts Giant, “Ford JR3Z-13008-AHeadlamp Assembly”, first available Sep. 25, 2022. ([https://www.fordpartsgiant.com/parts/ford-headlamp-asy\\_jr3z-13008-a.html](https://www.fordpartsgiant.com/parts/ford-headlamp-asy_jr3z-13008-a.html)) (Year: 2022).\*

\* cited by examiner

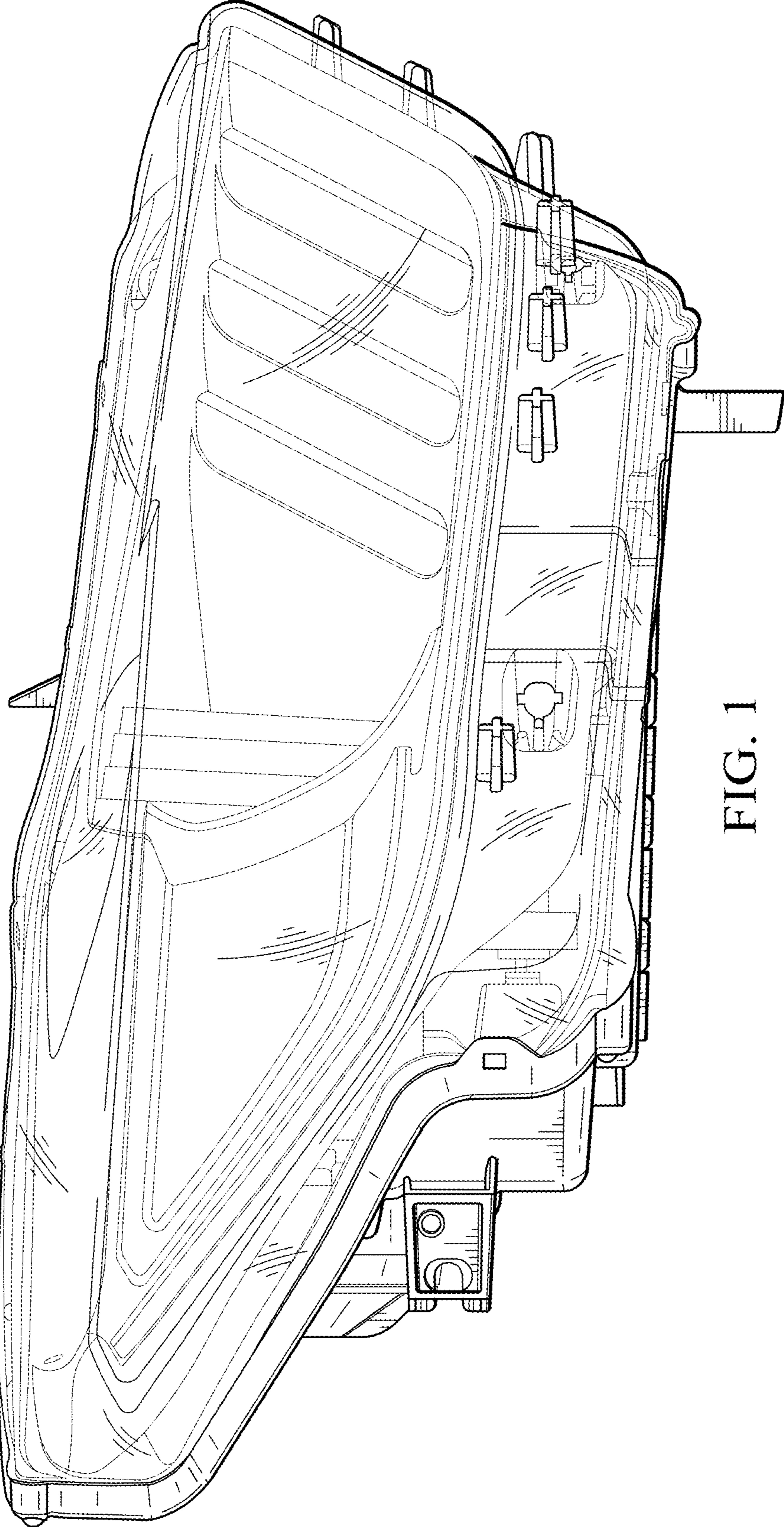


FIG. 1

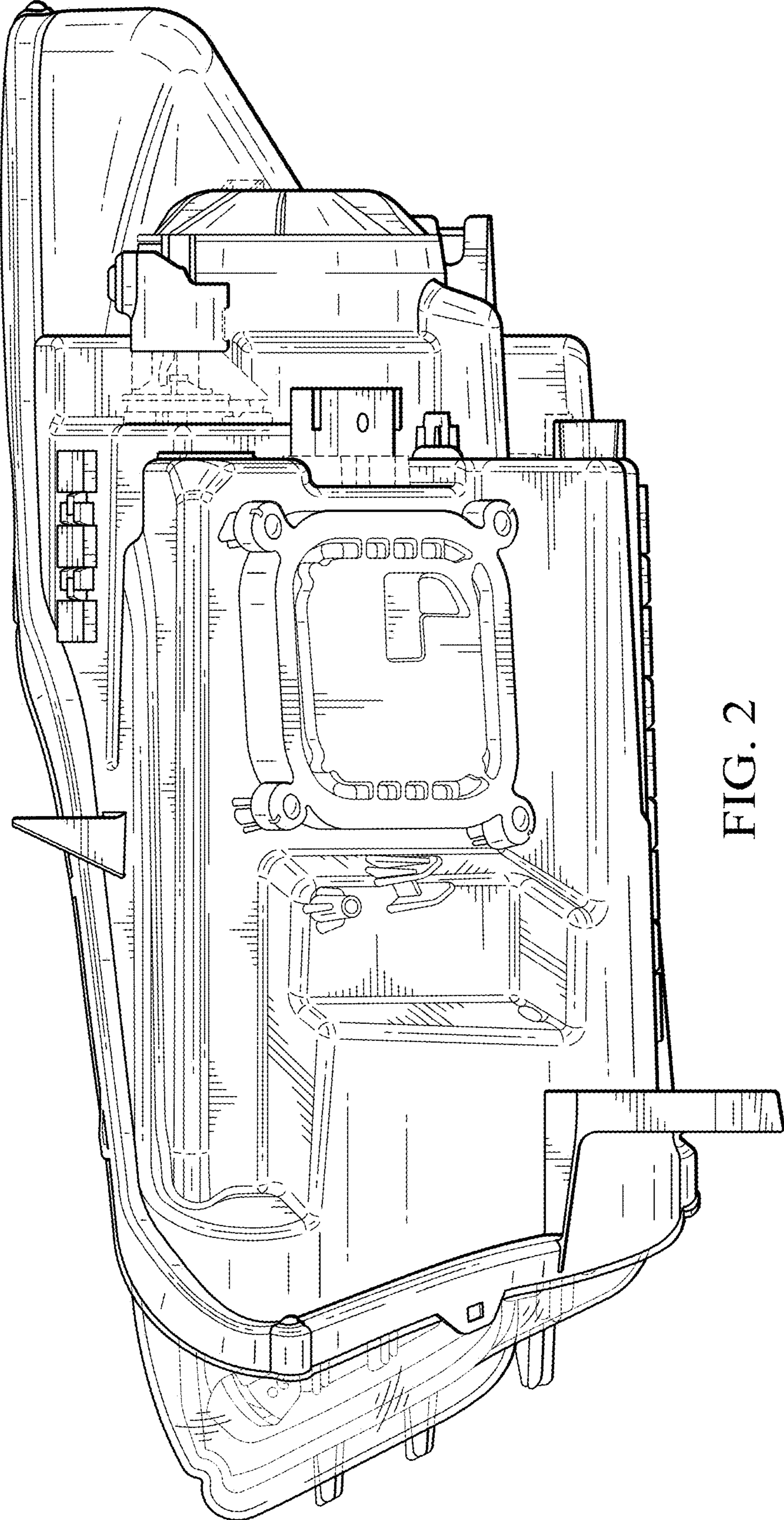


FIG. 2

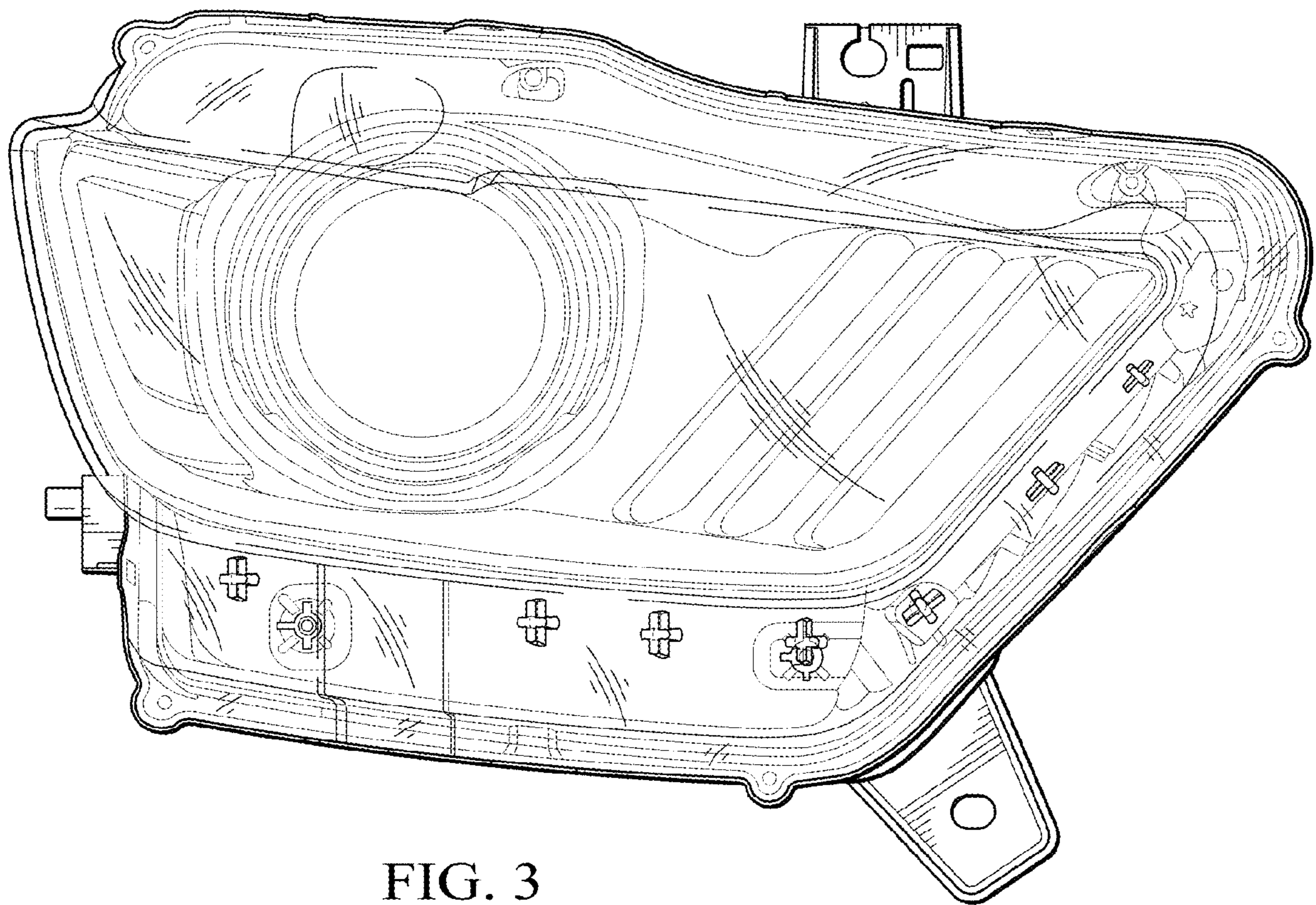


FIG. 3

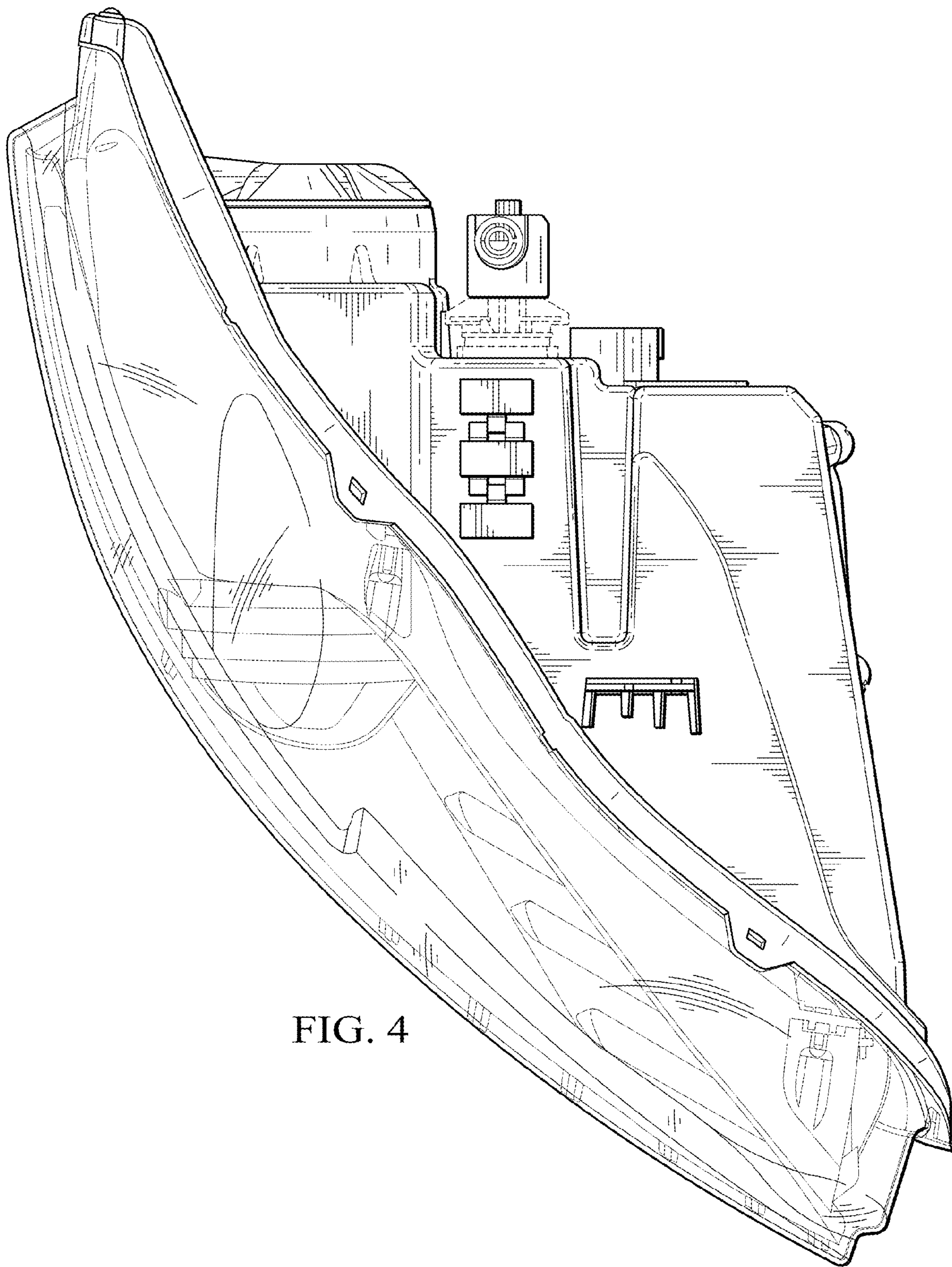


FIG. 4

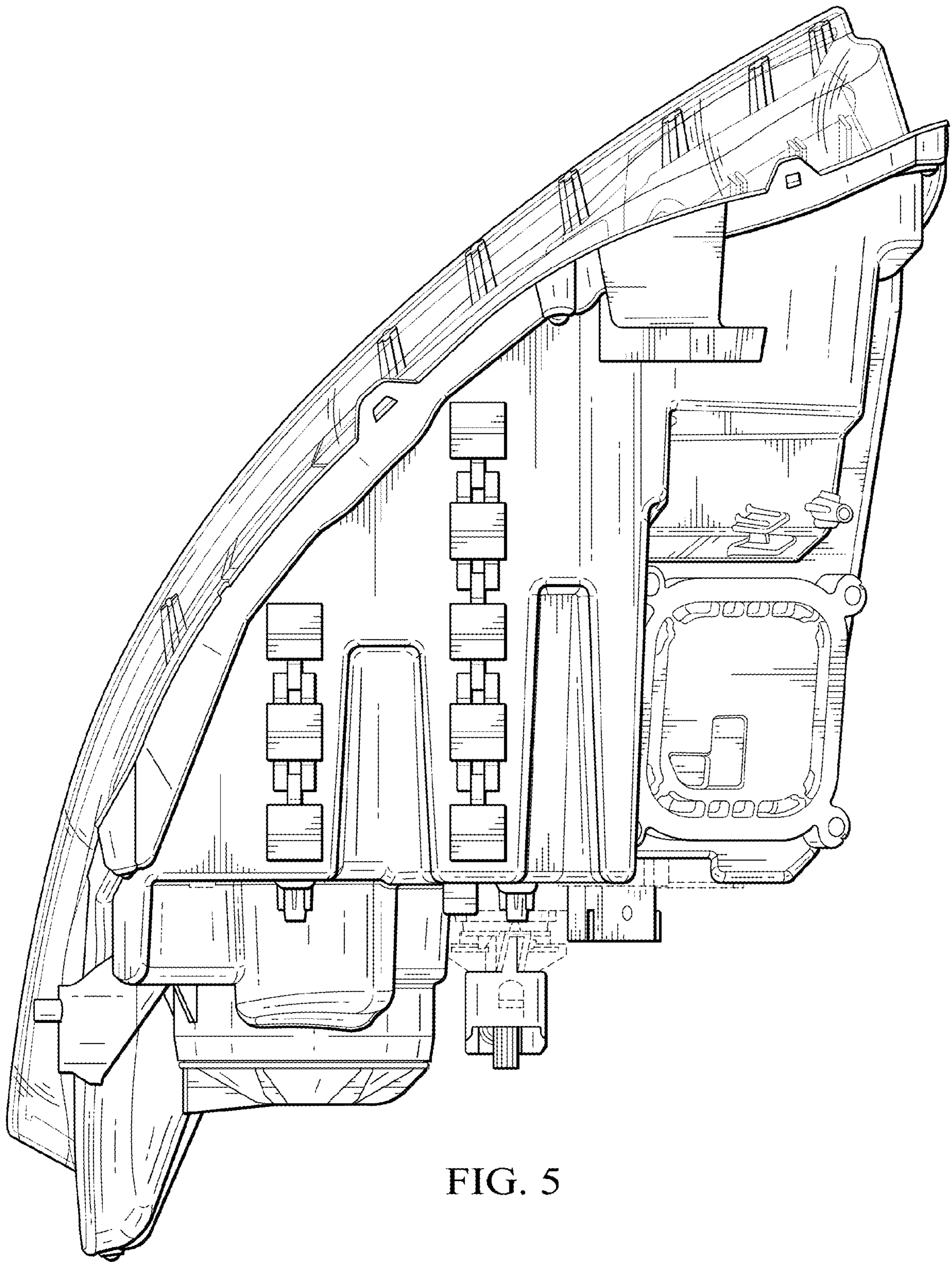


FIG. 5

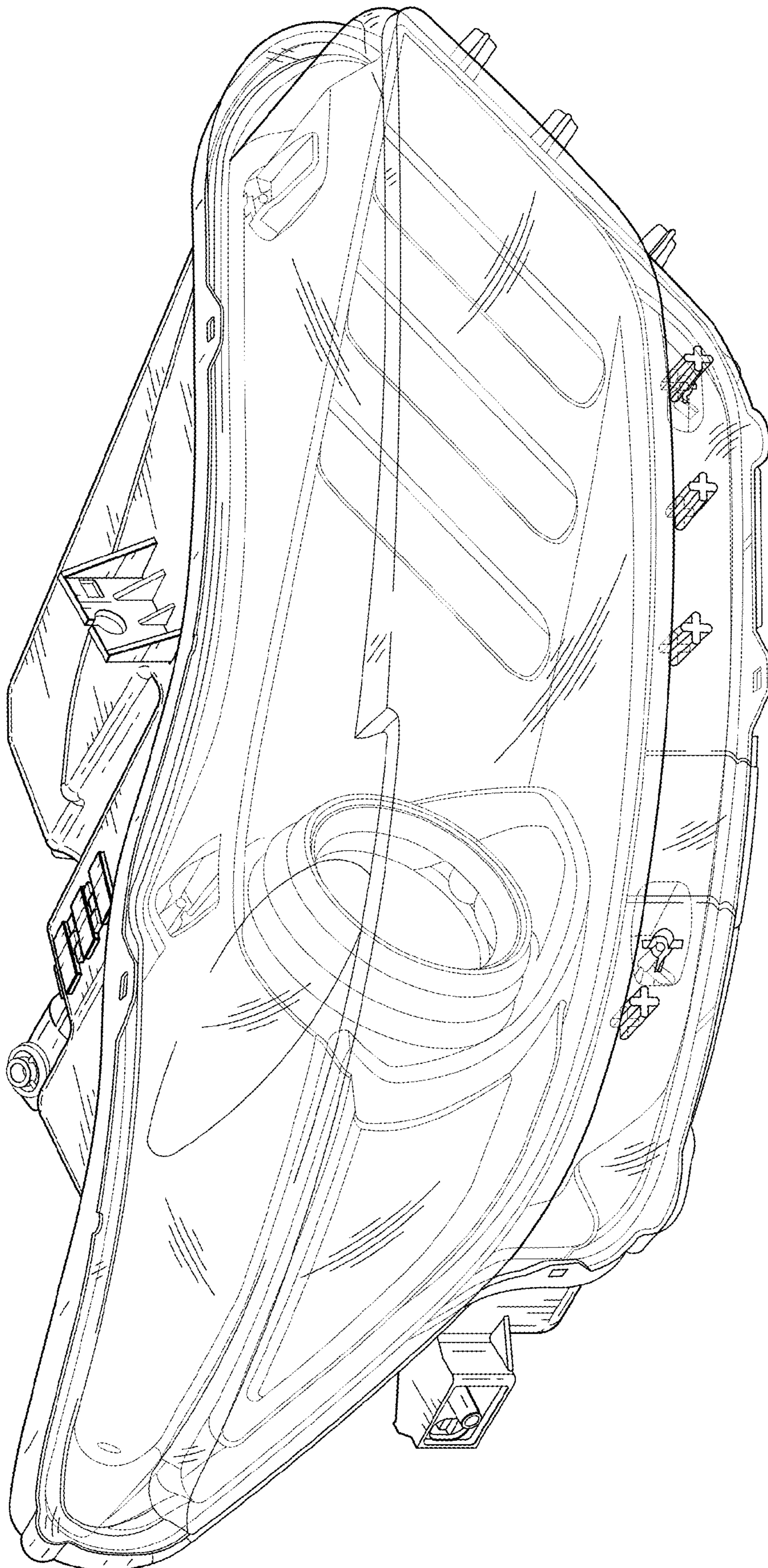


FIG. 6



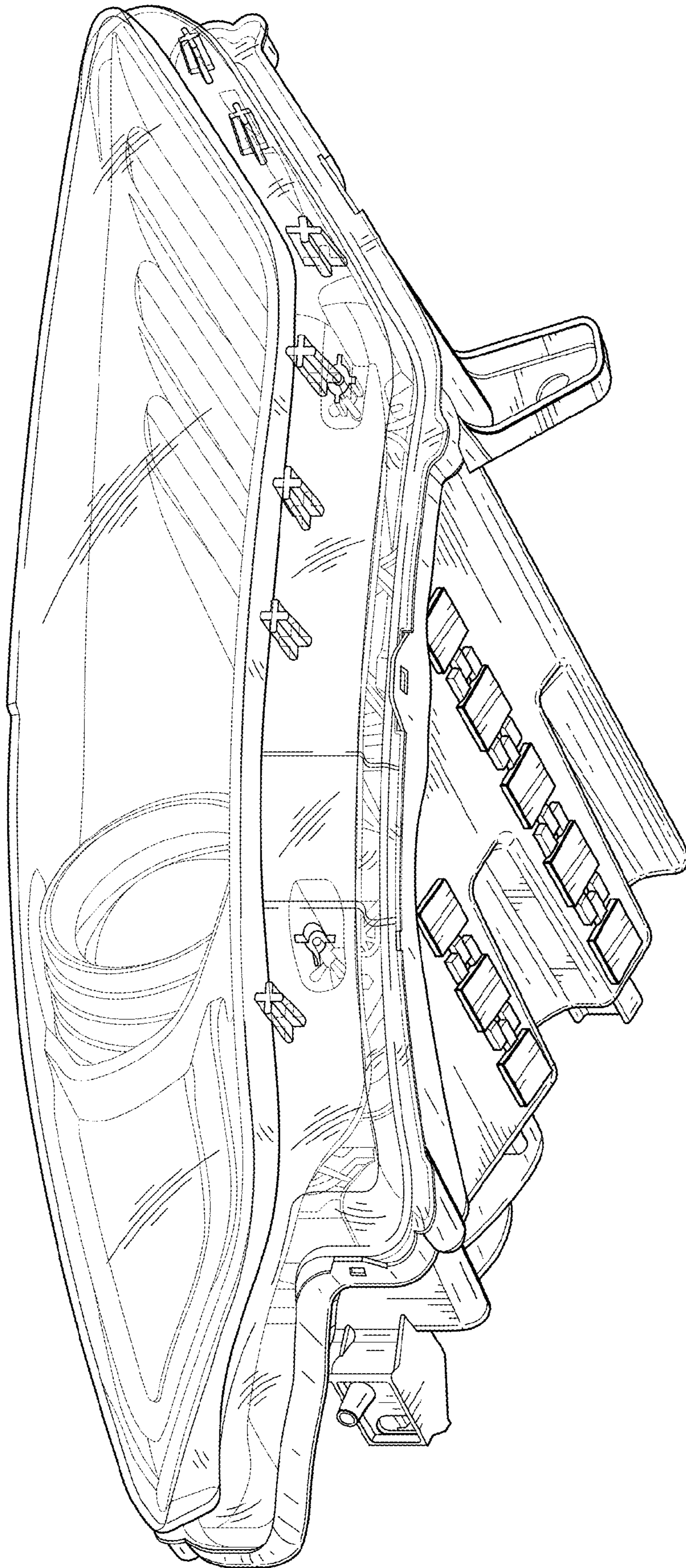


FIG. 7