



US00D988552S

(12) **United States Design Patent**
Oake, Jr.

(10) **Patent No.:** **US D988,552 S**

(45) **Date of Patent:** **** *Jun. 6, 2023**

(54) **VEHICLE HEADLAMP**

(71) Applicant: **Robert G. Oake, Jr.**, Allen, TX (US)

(72) Inventor: **Robert G. Oake, Jr.**, Allen, TX (US)

(*) Notice: This patent is subject to a terminal disclaimer.

(**) Term: **15 Years**

(21) Appl. No.: **29/847,604**

(22) Filed: **Jul. 26, 2022**

(51) **LOC (14) Cl.** **26-06**

(52) **U.S. Cl.**
USPC **D26/28**

(58) **Field of Classification Search**
USPC D26/1, 24, 27, 28, 29, 34, 35, 36, 113,
D26/139
CPC .. F21S 41/00; F21S 41/10; F21S 41/12; F21S
41/125; F21S 41/135; F21S 41/14; F21S
41/141; F21S 41/151; F21S 41/16; F21S
41/17; F21S 41/18; F21S 41/19; F21S
41/20; F21S 41/255; F21S 41/275; F21S
41/28; F21S 41/285

See application file for complete search history.

(56) **References Cited**

U.S. PATENT DOCUMENTS

D570,017 S *	5/2008	Hsu	D26/28
D636,506 S *	4/2011	Kim	D26/28
D677,813 S *	3/2013	Hanaoka	D26/28
D691,305 S	10/2013	Choi		
D732,720 S	6/2015	Mays		
D776,841 S *	1/2017	Kozub	D26/28
D776,843 S *	1/2017	McCabe	D26/28
D791,988 S *	7/2017	Lin	D26/28
D810,974 S *	2/2018	Sato	D26/28
D818,163 S	5/2018	Ha		
D833,659 S	11/2018	Lee		
D838,016 S *	1/2019	McMahan	D26/28

D855,848 S *	8/2019	Lai	D26/28
D858,820 S *	9/2019	McMahan	D26/28
D865,245 S	10/2019	Kim		
D889,700 S	7/2020	Wang		
D913,544 S	3/2021	Thomas		
D921,941 S *	6/2021	Lin	D26/28
D939,115 S *	12/2021	Chen	D26/28

(Continued)

FOREIGN PATENT DOCUMENTS

CN	304469042 S	1/2018
CN	305830514 S	6/2019

(Continued)

OTHER PUBLICATIONS

Amazon, "Ford Genuine BG1Z-13008-B Headlamp Assembly", first available Oct. 23, 2012. (<https://www.amazon.com/Genuine-Ford-BG1Z-13008-B-Headlamp-Assembly/dp/B008Y8BOH8>) (Year: 2012).*

(Continued)

Primary Examiner — Leanne Was-Englehart

Assistant Examiner — Justin A Johnson

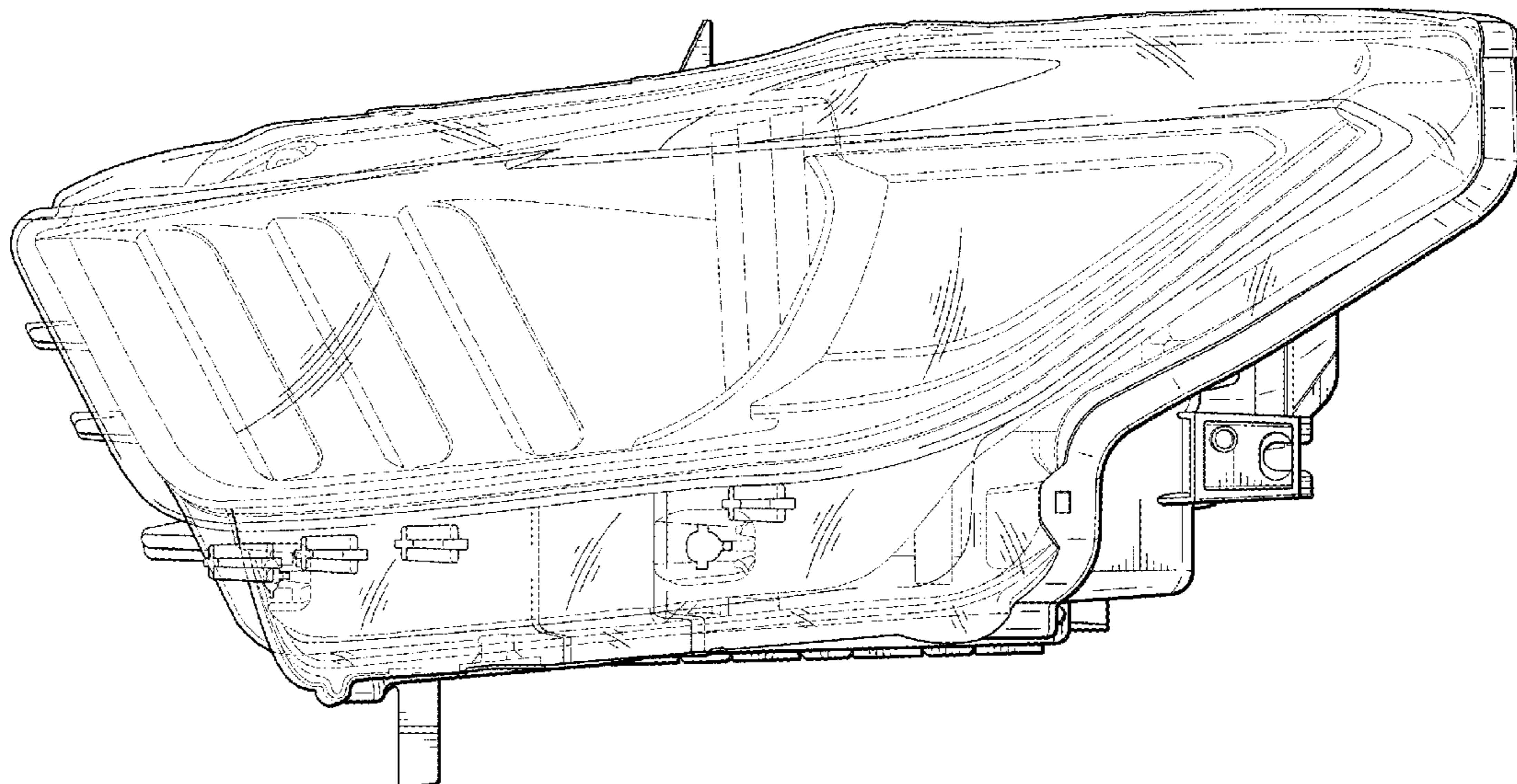
(57) **CLAIM**

The ornamental design for a vehicle headlamp, as shown and described.

DESCRIPTION

FIG. 1 is a left side elevational view of a vehicle headlamp; FIG. 2 is a right side elevational view thereof; FIG. 3 is a front elevational view thereof; FIG. 4 is a top plan view thereof; FIG. 5 is a bottom plan view thereof; FIG. 6 is a front perspective view thereof; and, FIG. 7 is a bottom perspective view thereof. The broken lines in the figures depict portions of the vehicle headlamp that form no part of the claimed design.

1 Claim, 7 Drawing Sheets



(56)

References Cited

U.S. PATENT DOCUMENTS

D950,811 S * 5/2022 Jevremovic D26/28
D957,016 S 7/2022 Lee
D958,418 S 7/2022 Choi

FOREIGN PATENT DOCUMENTS

CN 305386474 S 10/2019
CN 305442522 S 11/2019
CN 306275153 S 1/2021
CN 306615806 S 6/2021
CN 306633029 S 6/2021
CN 306633036 S 6/2021
CN 306764166 S 8/2021
CN 307022157 S 12/2021
TW 166193-0001 * 2/2015

OTHER PUBLICATIONS

Amazon, Ford Genuine BG1Z-13008-A Headlamp Assembly, first available Feb. 1, 2013. (<https://www.amazon.com/Genuine-Ford-BG1Z-13008-A-Headlamp-Assembly/dp/B008Y8BNKG>) (Year: 2013).*

Ford, "Lamp. Sealed Beam Headlight—Left, Front (Shelby)", first accessed Oct. 7, 2022. (<https://parts.ford.com/shop/en/us/electrical/headlamps/lamp-assy-7824275-1?pdp=y>) (Year: 2022).*

Ford Parts Giant, "Ford JR3Z-13008-AHeadlamp Assembly", first available Sep. 25, 2022. (https://www.fordpartsgiant.com/parts/ford-headlamp-asy_jr3z-13008-a.html) (Year: 2022).*

* cited by examiner

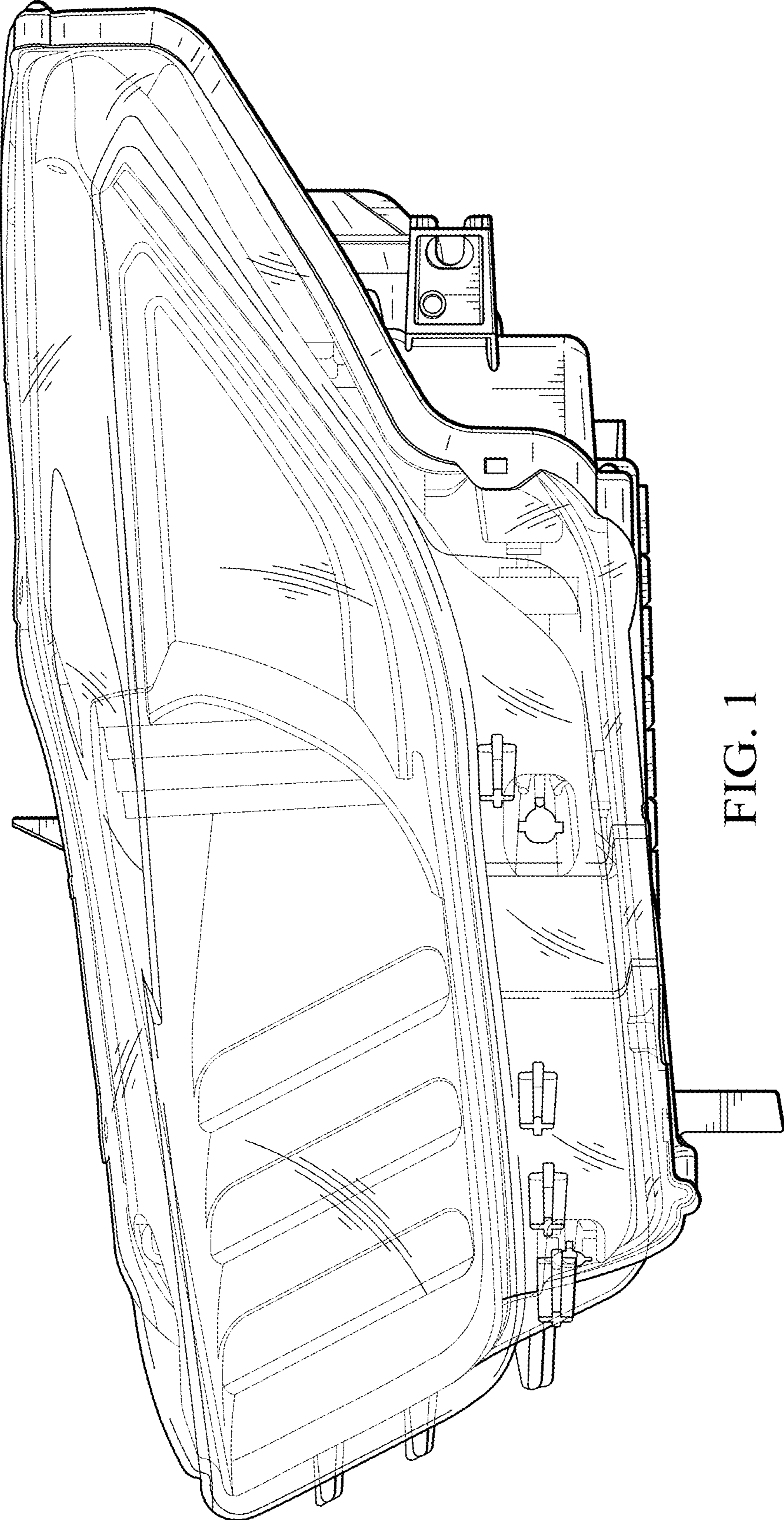


FIG. 1

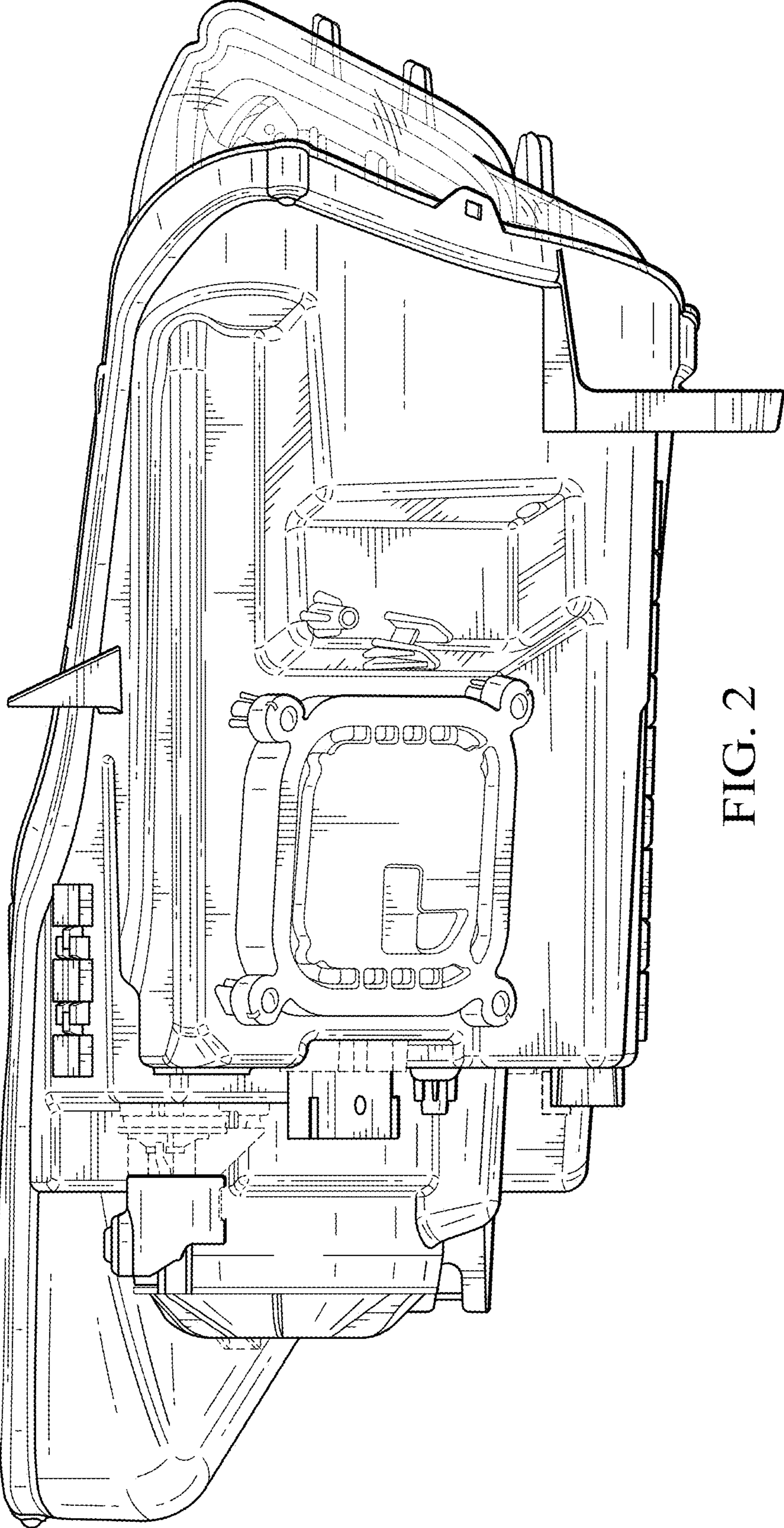


FIG. 2

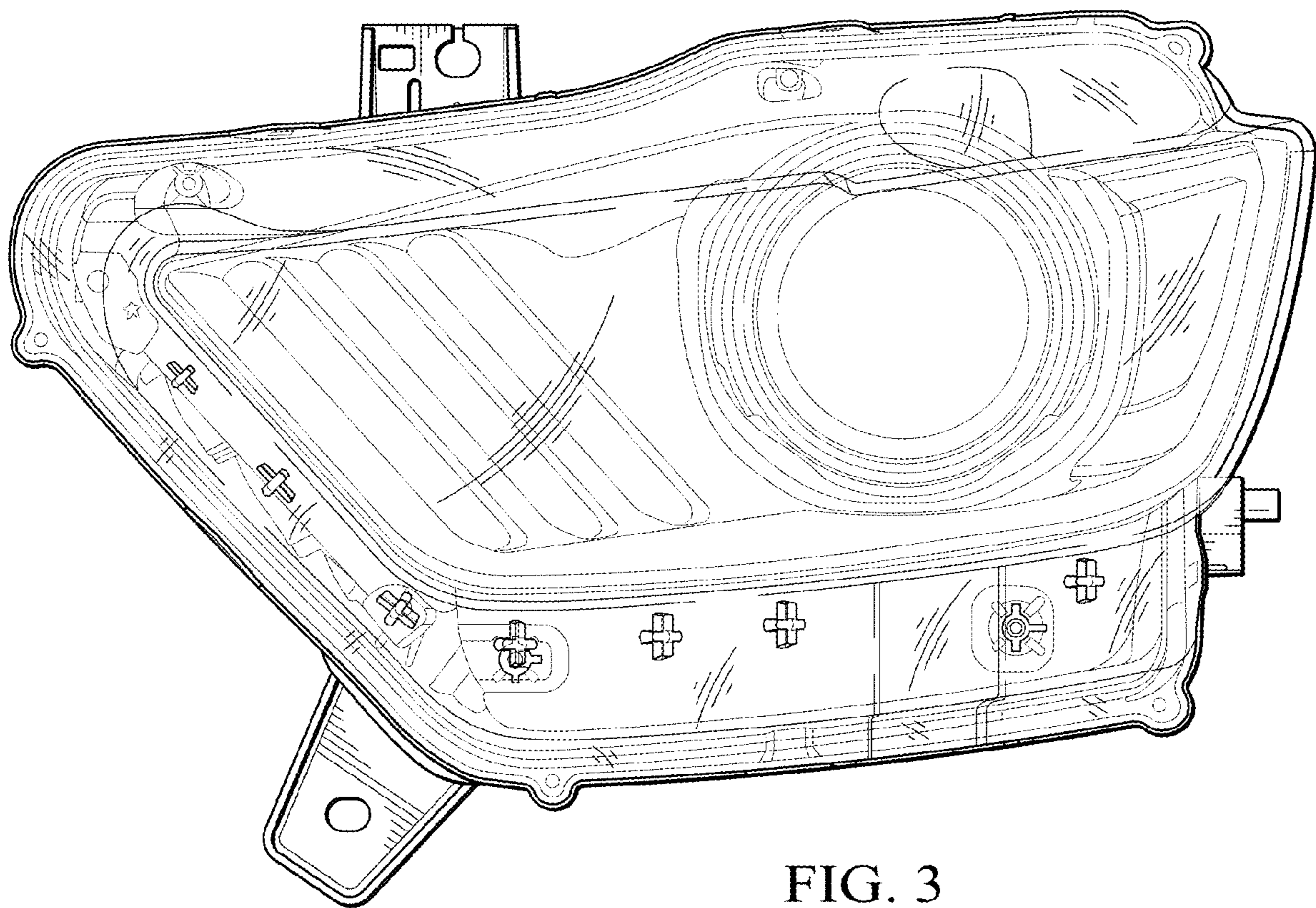


FIG. 3

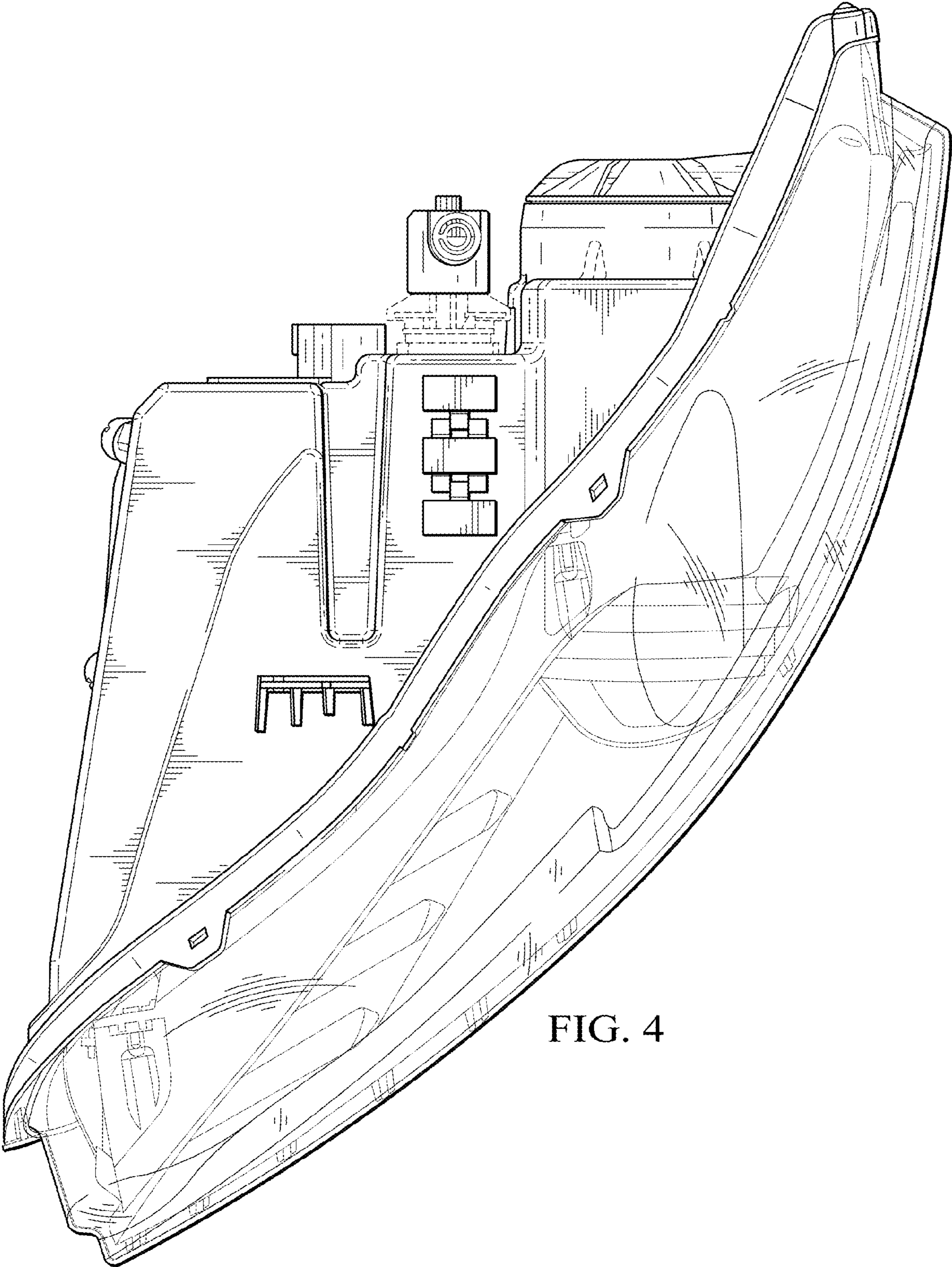


FIG. 4

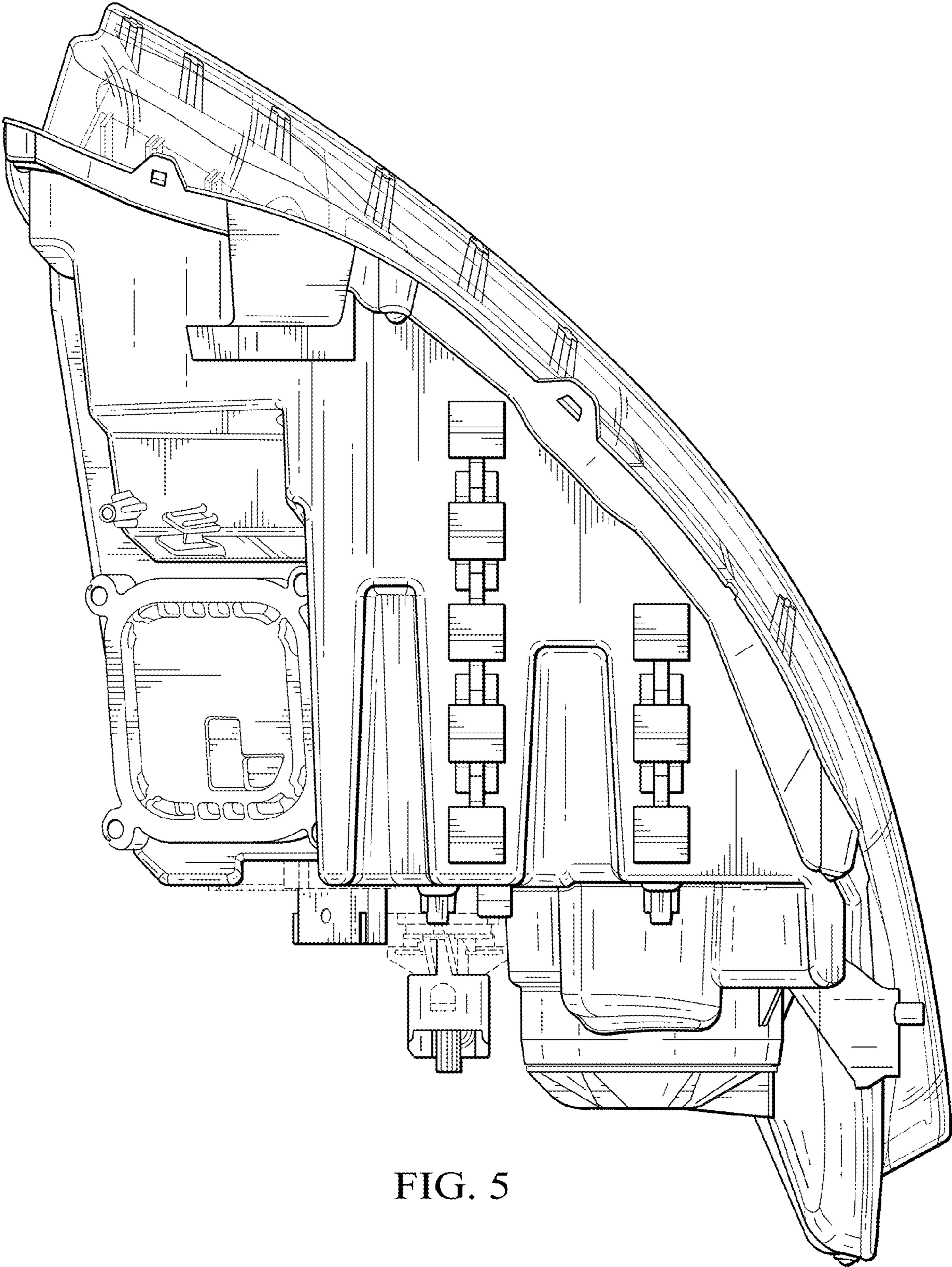


FIG. 5

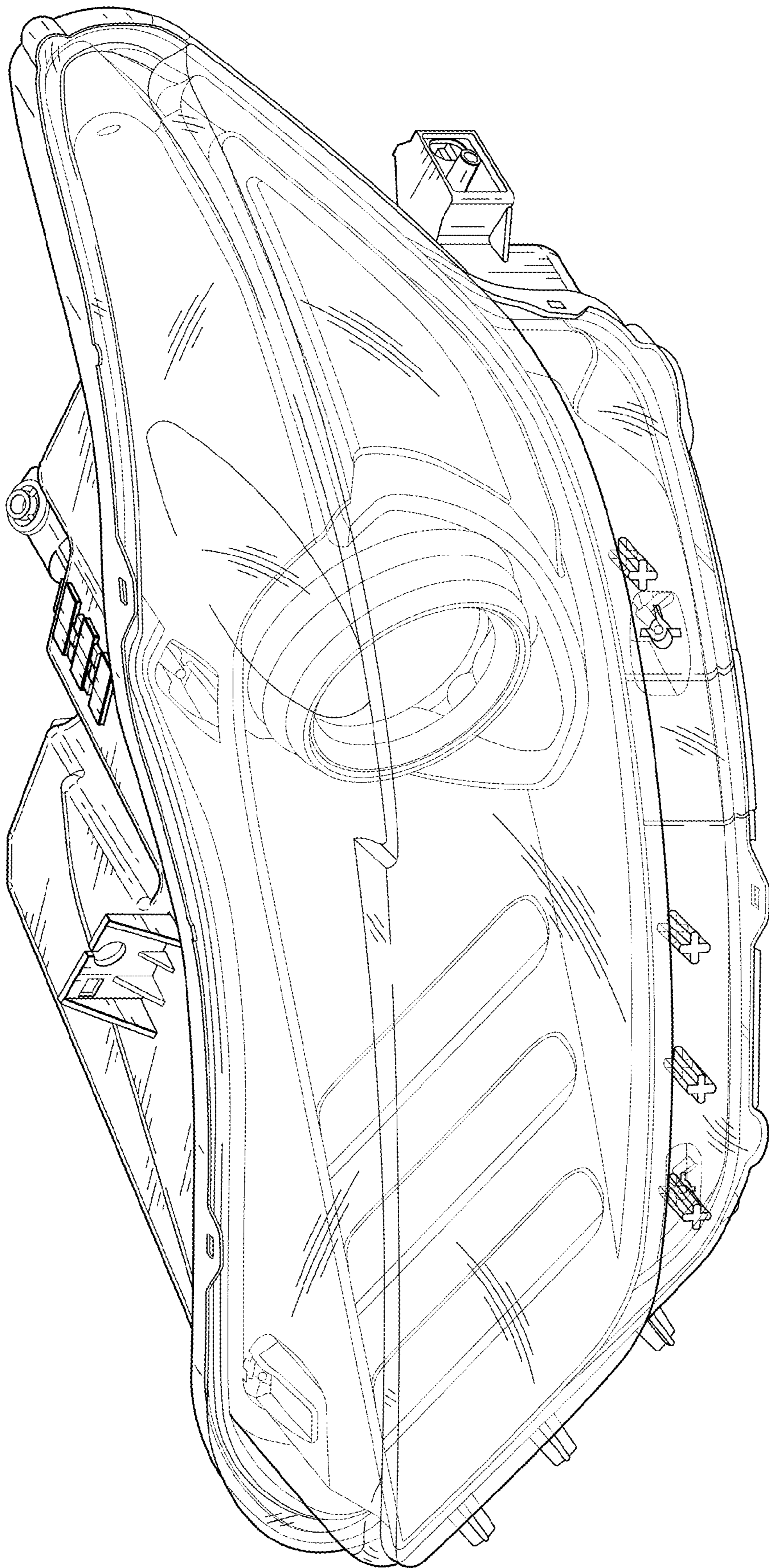


FIG. 6

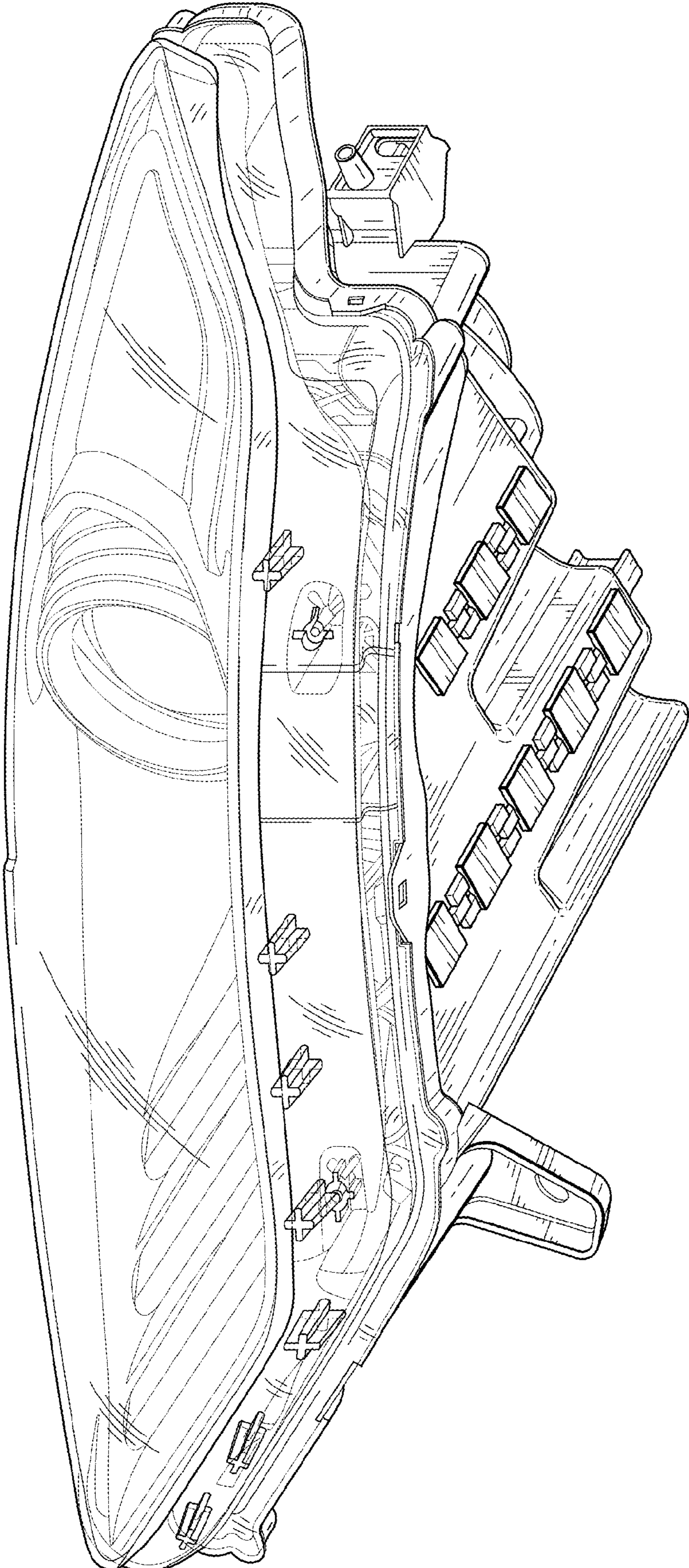


FIG. 7