



US00D988548S

(12) **United States Design Patent** (10) **Patent No.:** **US D988,548 S**
Qu (45) **Date of Patent:** **** Jun. 6, 2023**

(54) **STRING LIGHT**

FOREIGN PATENT DOCUMENTS

(71) Applicant: **Linhai Qixiang Lighting Co., Ltd.**,
Taizhou (CN)

EM 009047921-0001 * 6/2022

(72) Inventor: **Huasheng Qu**, Taizhou (CN)

OTHER PUBLICATIONS

(**) Term: **15 Years**

“MZD8391” reference by MZD8391 on Amazon.com, date first available Nov. 8, 2021 [online], site visited Nov. 15, 2022, available from internet URL: <https://www.amazon.com/MZD8391-Curtain-Wedding-Bedroom-Multicolor/dp/B09L7K3W2Y> (Year: 2021).*

(21) Appl. No.: **29/840,856**

(Continued)

(22) Filed: **Jun. 1, 2022**

(51) **LOC (14) Cl.** **26-04**

Primary Examiner — Richard Kearney

(52) **U.S. Cl.**

Assistant Examiner — Liv C Anderson

USPC **D26/25**

(58) **Field of Classification Search**

(57) **CLAIM**

USPC D26/1, 2, 4, 24, 25, 27, 57, 61, 67, 73,
D26/94, 98, 103, 110, 119, 128;
D11/117, 121, 130

The ornamental design for a string light, as shown and described.

CPC F21S 4/00; F21S 4/10; F21S 4/15; F21S
4/20; F21S 4/22; F21S 4/24; F21S 4/26;
F21W 2121/00; F21W 2121/04; F21W
2131/109

DESCRIPTION

See application file for complete search history.

FIG. 1 is a front perspective view of a string light, showing my new design;

(56) **References Cited**

U.S. PATENT DOCUMENTS

6,155,697	A	*	12/2000	Ahroni	F21S 4/10 362/249.16
D450,396	S	*	11/2001	Chang	D11/119
D450,397	S	*	11/2001	Chang	D11/119
D450,399	S	*	11/2001	Chang	D11/119
D452,921	S	*	1/2002	Chang	D11/121
D647,648	S	*	10/2011	Rahman	D26/25
D647,649	S	*	10/2011	Rahman	D26/25
D648,052	S	*	11/2011	Rahman	D26/25
D648,053	S	*	11/2011	Rahman	D26/25
D889,696	S	*	7/2020	Cao	D26/25
D941,507	S	*	1/2022	Du	D26/25
D968,661	S	*	11/2022	Liu	D26/25
D972,752	S	*	12/2022	Zhou	D26/25
D974,600	S	*	1/2023	Li	D26/25

FIG. 2 is a front view thereof;

FIG. 3 is a rear view thereof;

FIG. 4 is a top side view thereof;

FIG. 5 is a bottom side view thereof;

FIG. 6 is a right view thereof;

FIG. 7 is a left view thereof;

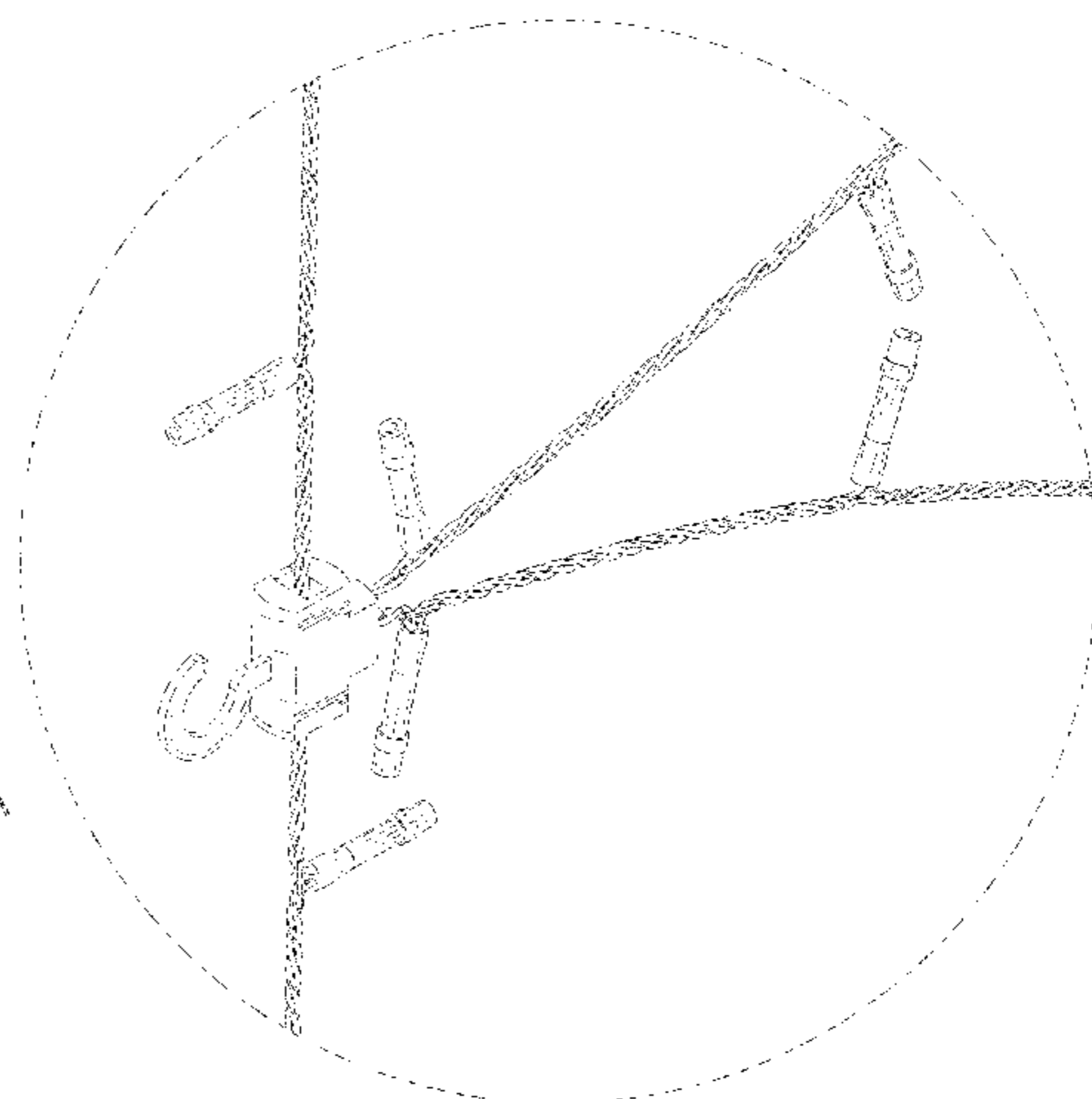
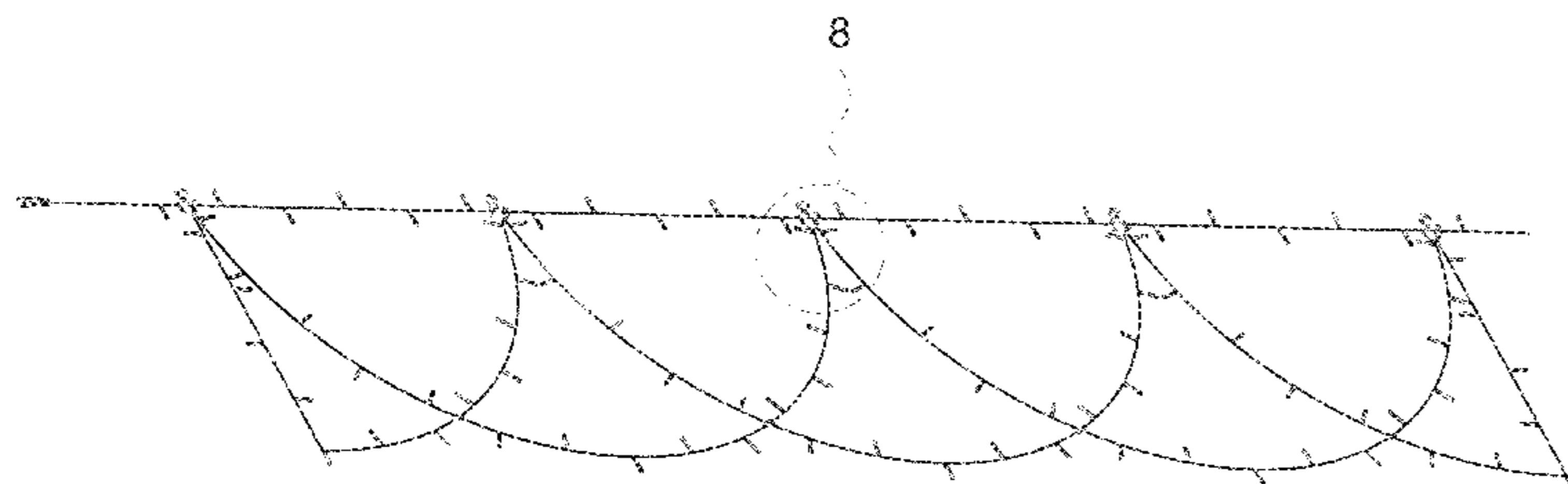
FIG. 8 is a partial enlarged view of FIG. 1;

FIG. 9 is a partial enlarged view of FIG. 3; and,

FIG. 10 is a partial enlarged view of FIG. 7.

The broken lines in the drawings illustrate the portions of the string light, which form no part of the claimed design. The dash-dot-dash broken lines encircling the enlarged views are for annotative purposes only and form no part of the claim thereof.

1 Claim, 10 Drawing Sheets



(56)

References Cited

OTHER PUBLICATIONS

“DDMY” reference by DDMY on Amazon.com, date first available Sep. 18, 2021 [online], site visited Nov. 15, 2022, available from internet URL: <https://www.amazon.com/DDMY-Christmas-Half-Round-Extendable-Decoration/dp/B09GLTHCML> (Year: 2021).*

“LED” reference by zhenqiu on Amazon.com, date first available Jul. 15, 2022 [online], site visited Nov. 15, 2022, available from internet URL: <https://www.amazon.com/Christmas-Half-Round-Extendable-Waterproof-Decoration/dp/B0B6PGHVSR> (Year: 2022).*

“Kazoku” reference on Amazon.com, date first available Jul. 4, 2022 [online], site visited Nov. 15, 2022, available from internet URL: <https://www.amazon.com/KAZOKU-LED-Christmas-Lights-Outdoor/dp/B09KN7H9H4> (Year: 2022).*

* cited by examiner

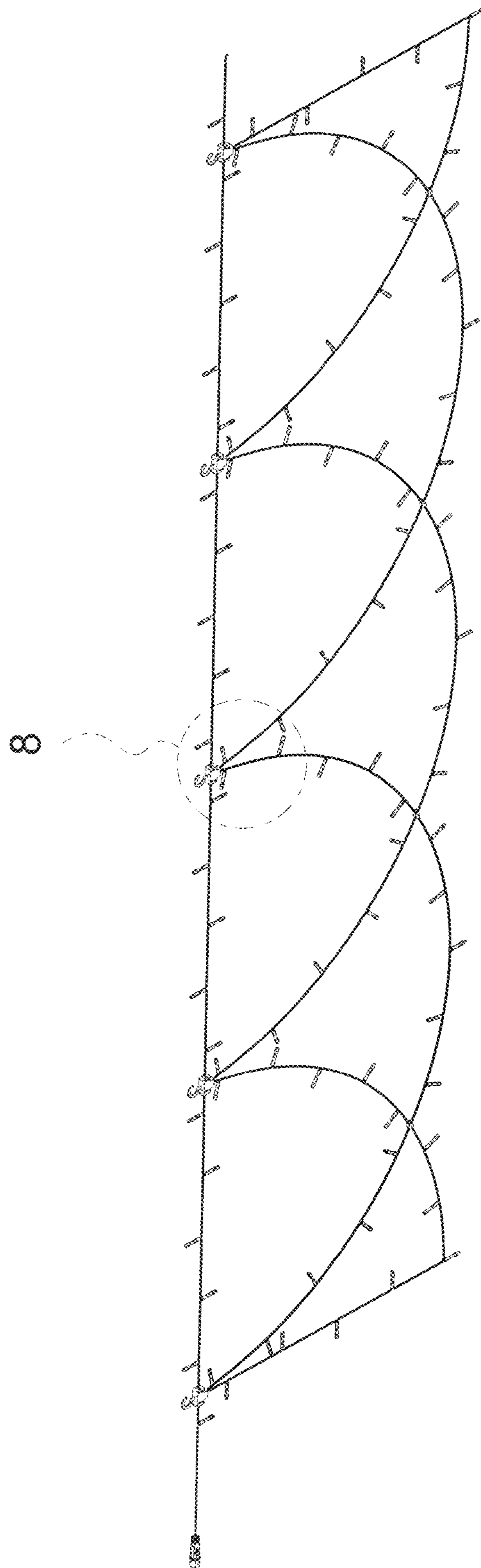


FIG. 1

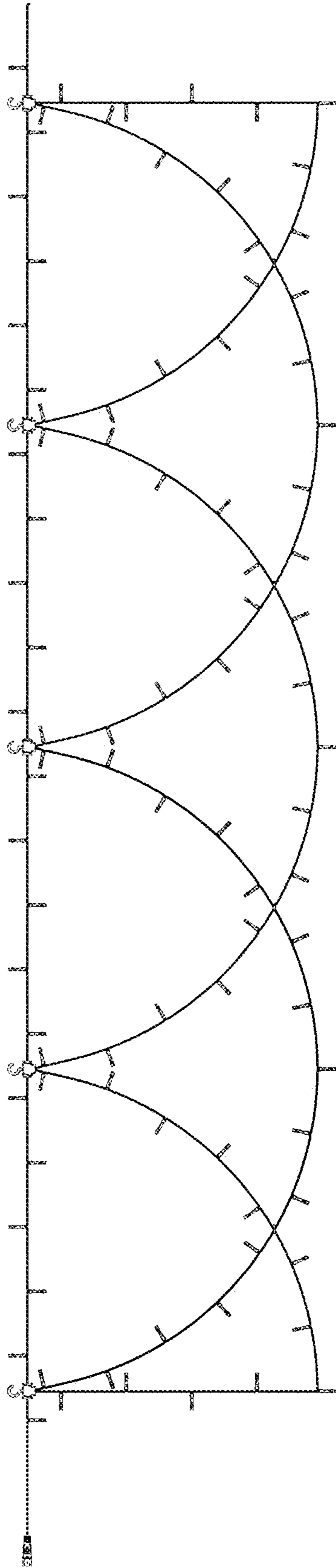


FIG. 2

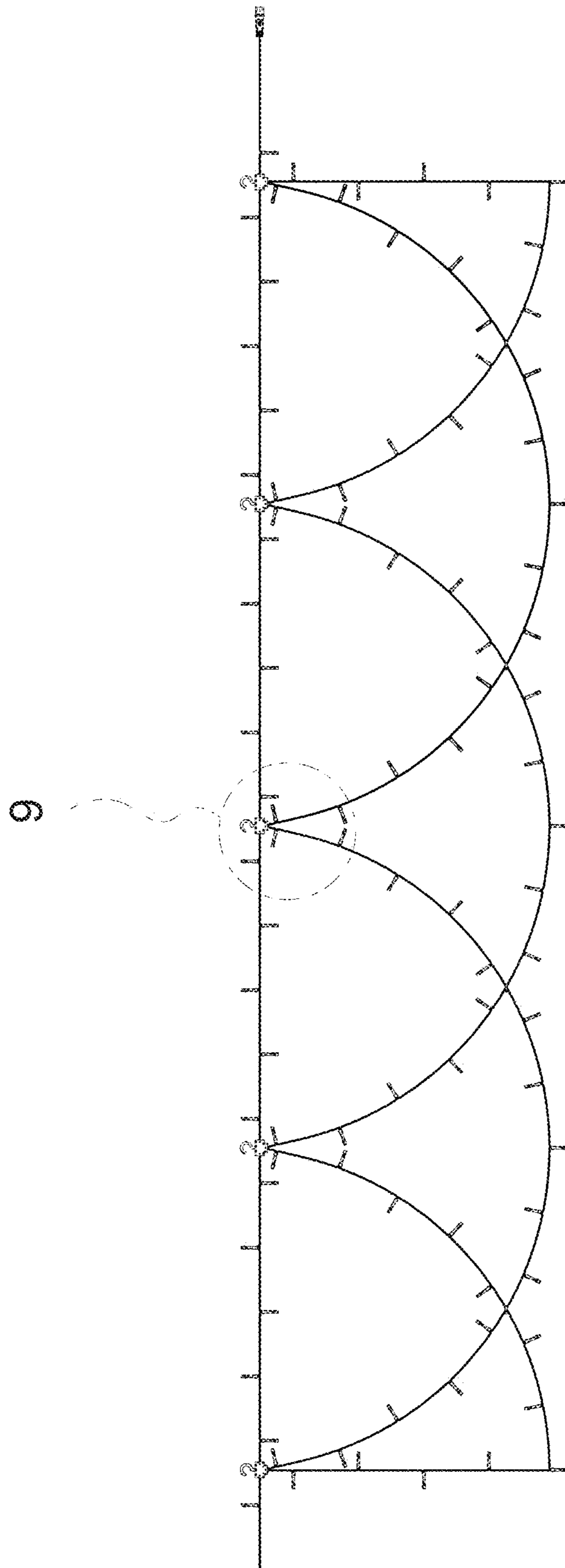


FIG. 3

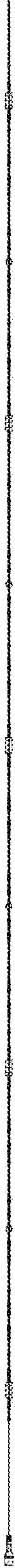


FIG. 4



FIG. 5

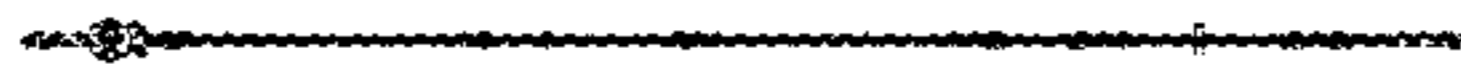


FIG. 6

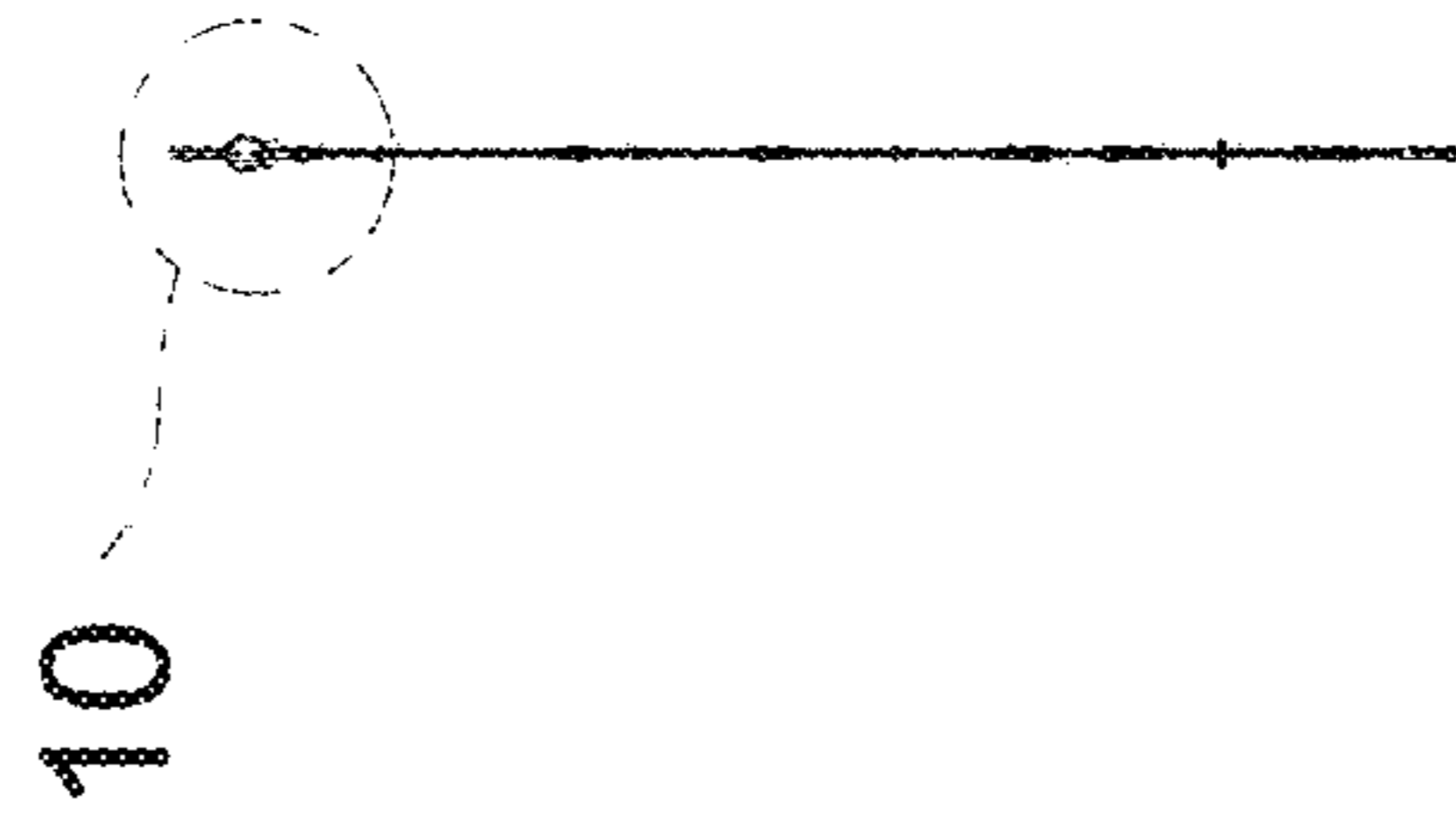


FIG. 7

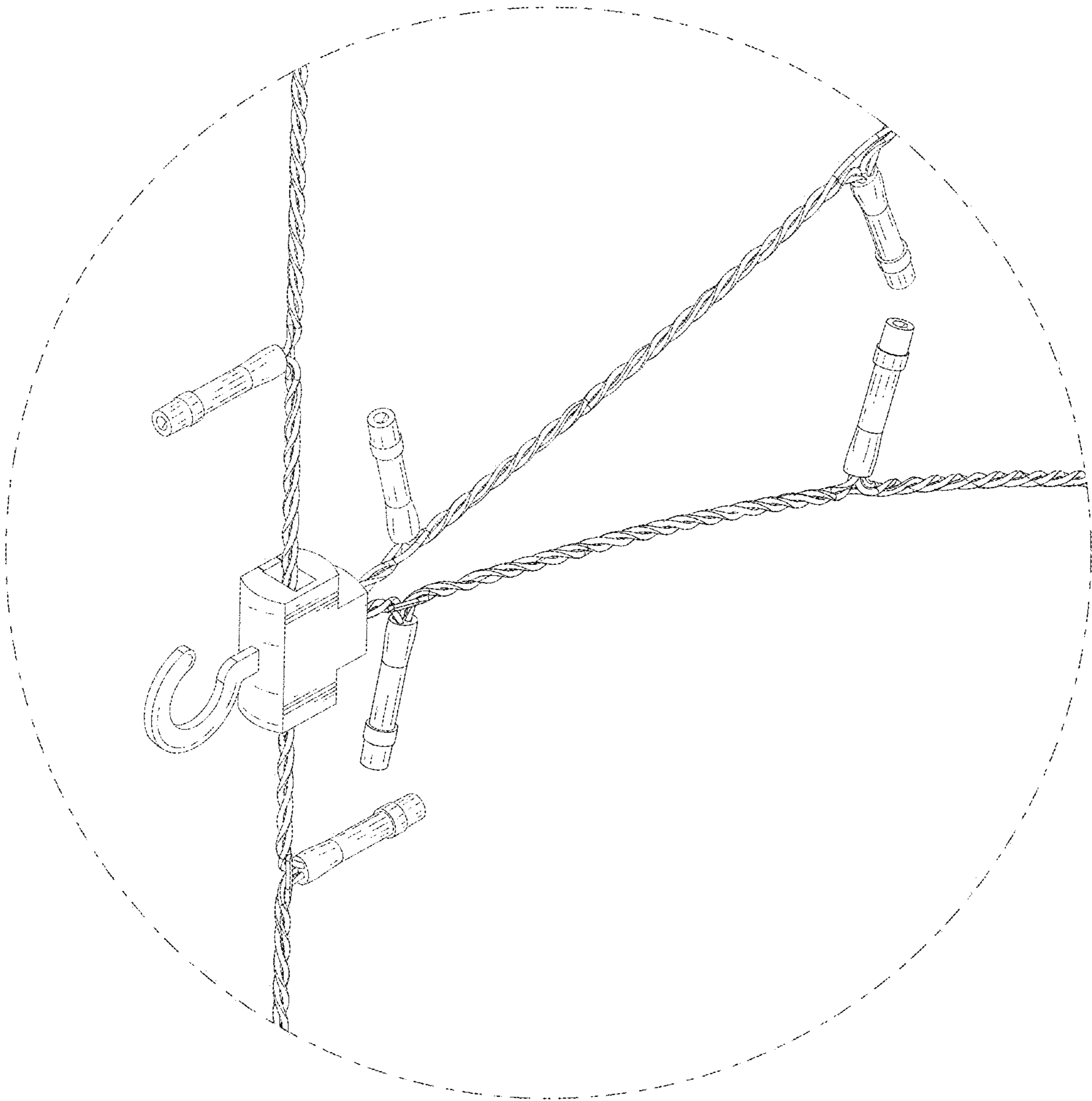


FIG. 8

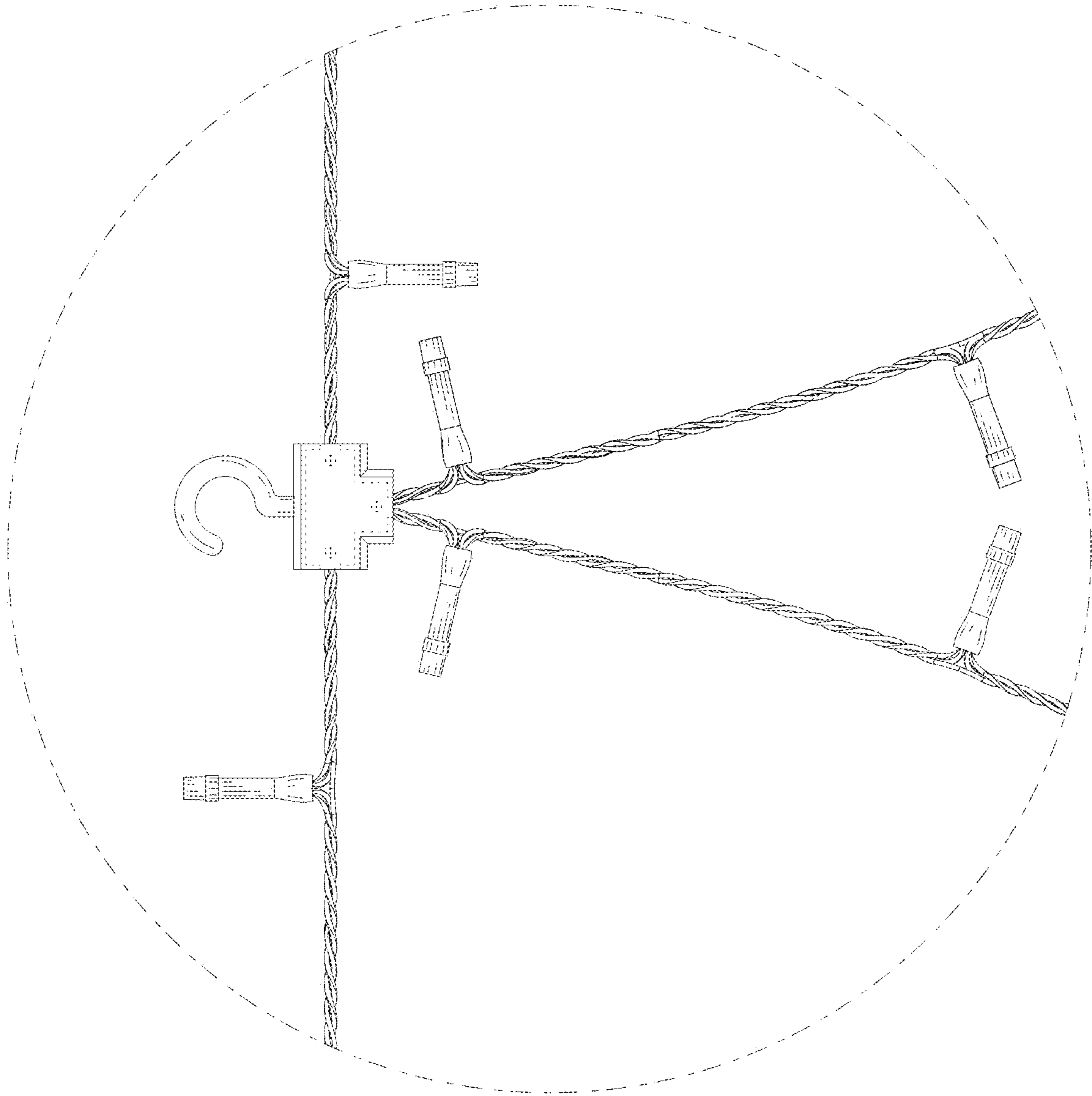


FIG. 9

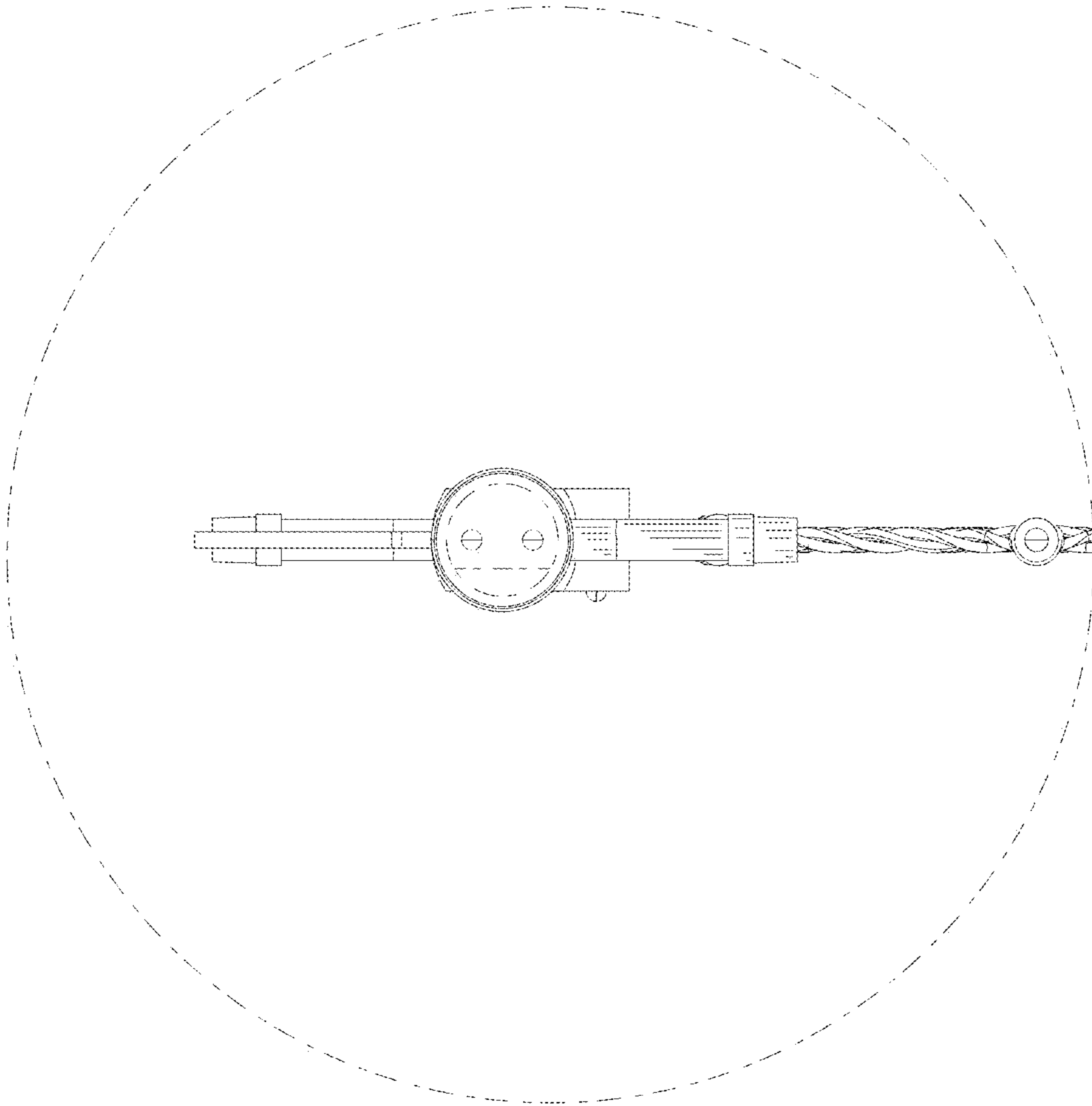


FIG. 10