



US00D988547S

(12) **United States Design Patent**
Zhou

(10) **Patent No.:** **US D988,547 S**
(45) **Date of Patent:** **** Jun. 6, 2023**

(54) **LAMP**

(71) Applicant: **SHENZHEN YULIANG ELECTRONIC LIGHTING CO., LTD.**, Shenzhen (CN)

(72) Inventor: **Hongxue Zhou**, Taizhou (CN)

(73) Assignee: **SHENZHEN YULIANG ELECTRONIC LIGHTING CO., LTD.**, Shenzhen (CN)

(**) Term: **15 Years**

(21) Appl. No.: **29/771,716**

(22) Filed: **Feb. 24, 2021**

Related U.S. Application Data

(62) Division of application No. 29/758,227, filed on Nov. 13, 2020, now Pat. No. Des. 917,083.

(51) **LOC (14) Cl.** **26-04**

(52) **U.S. Cl.**
USPC **D26/25; D11/121**

(58) **Field of Classification Search**
USPC D11/117, 121, 124, 125; D26/1-4, 24, D26/25, 27, 72, 73, 85, 93, 94
CPC F21K 9/232; F21S 4/00; F21S 4/10; F21S 4/15; F21S 4/20; F21S 6/001; F21W 2121/00; F21W 2121/04
See application file for complete search history.

(56) **References Cited**

U.S. PATENT DOCUMENTS

D816,884 S	5/2018	Rachele	
D873,461 S	1/2020	Chen	
D899,965 S *	10/2020	Zhou	D26/25
D917,083 S *	4/2021	Zhou	D26/25
D917,084 S *	4/2021	Zhou	D26/25
D932,935 S *	10/2021	Huang	D26/94

D940,357 S *	1/2022	Wang	D26/4
D952,199 S *	5/2022	Xu	D26/25
D952,200 S *	5/2022	Zhou	D11/124
D962,497 S *	8/2022	Yu	D11/121
D970,761 S *	11/2022	Zhao	D26/25
D971,455 S *	11/2022	Zhou	D11/121
D971,458 S *	11/2022	Dai	D26/25

(Continued)

OTHER PUBLICATIONS

Joiedomi Christmas Outdoor Star String Lights, first available Sep. 2, 2020, retrieved Feb. 1, 2023 from URL: <https://www.amazon.com/Joiedomi-Decoration-Lighting-Waterproof-Christmas/dp/B08HBF5N4H?th=1> (Year: 2020).*

(Continued)

Primary Examiner — Richard Kearney
Assistant Examiner — Christina M. Dodson

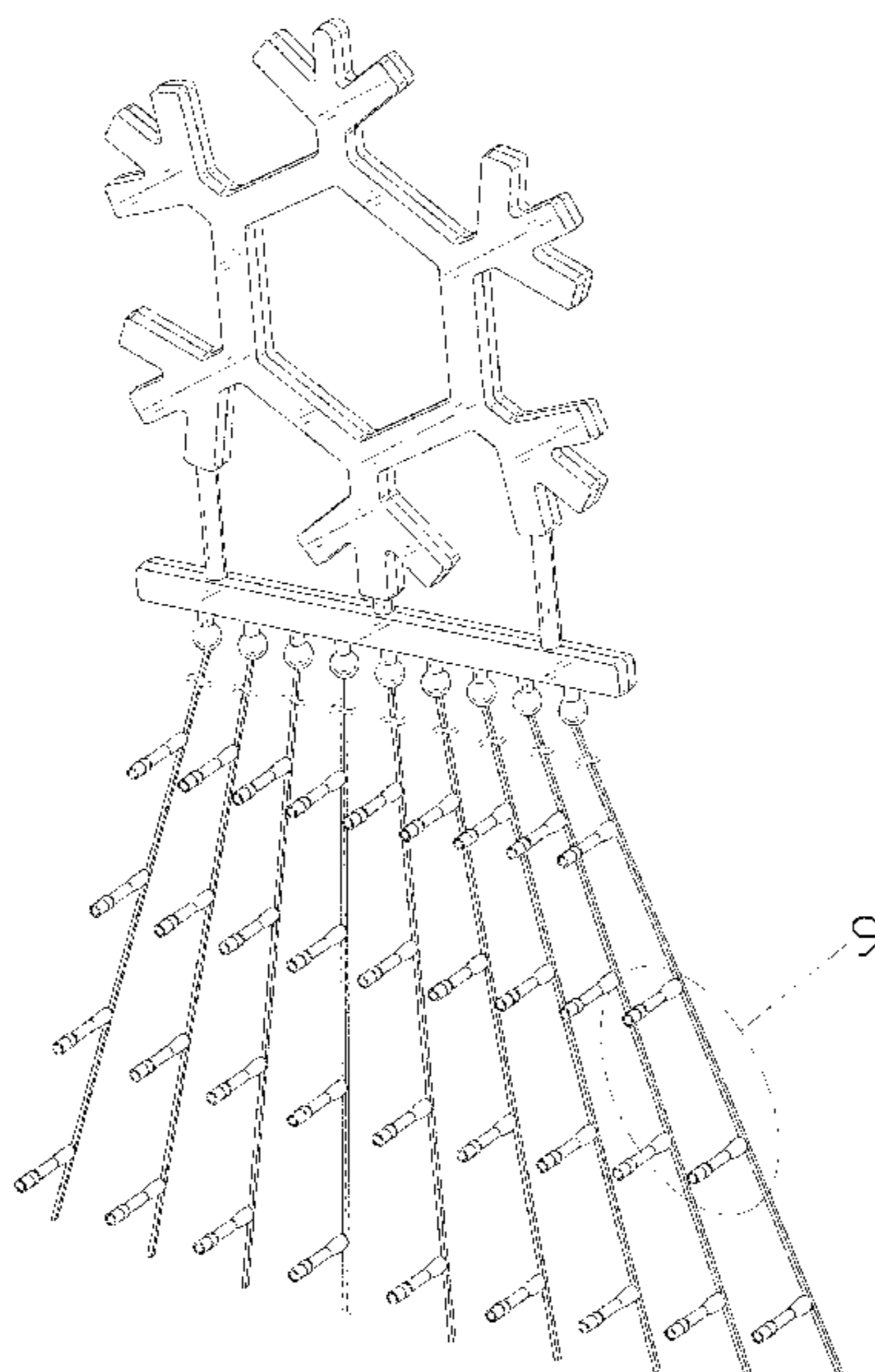
(57) **CLAIM**

The ornamental design for a lamp, as shown and described.

DESCRIPTION

FIG. 1 is a perspective view of a lamp showing my new design;
FIG. 2 is another perspective view thereof;
FIG. 3 is a front elevational view thereof;
FIG. 4 is a rear elevational view thereof;
FIG. 5 is a left side elevational view thereof;
FIG. 6 is a right side elevational view thereof;
FIG. 7 is a top plan view thereof;
FIG. 8 is a bottom plan view thereof;
FIG. 9 is an enlarged view of portion 9 shown in FIG. 1; and,
FIG. 10 is an enlarged view of portion 10 shown in FIG. 2.
The lamp is shown with a symbolic break in its length and the appearance of any portion of the lamp between the break lines form no part of the claimed design.

1 Claim, 10 Drawing Sheets



(56)

References Cited

U.S. PATENT DOCUMENTS

D974,601 S * 1/2023 Guo D26/25
D975,328 S * 1/2023 Yang D11/121
D976,452 S * 1/2023 Zhu D26/25
2008/0253116 A1 * 10/2008 Liao F21S 4/28
362/235
2009/0256472 A1 * 10/2009 Lohneis H01L 27/3237
313/504
2012/0218761 A1 * 8/2012 Lohneis G09F 13/22
445/44
2022/0221114 A1 * 7/2022 Jiang F21V 21/0824

OTHER PUBLICATIONS

Funiao Christmas Decorations Outdoor String Lights, first available Oct. 22, 2021, retrieved Feb. 1, 2023 from URL: <https://www.amazon.com/FUNIAO-Christmas-Decorations-Snowflakes-Multicolor/dp/B09JK4R7ND/?th=1> (Year: 2021).*

* cited by examiner

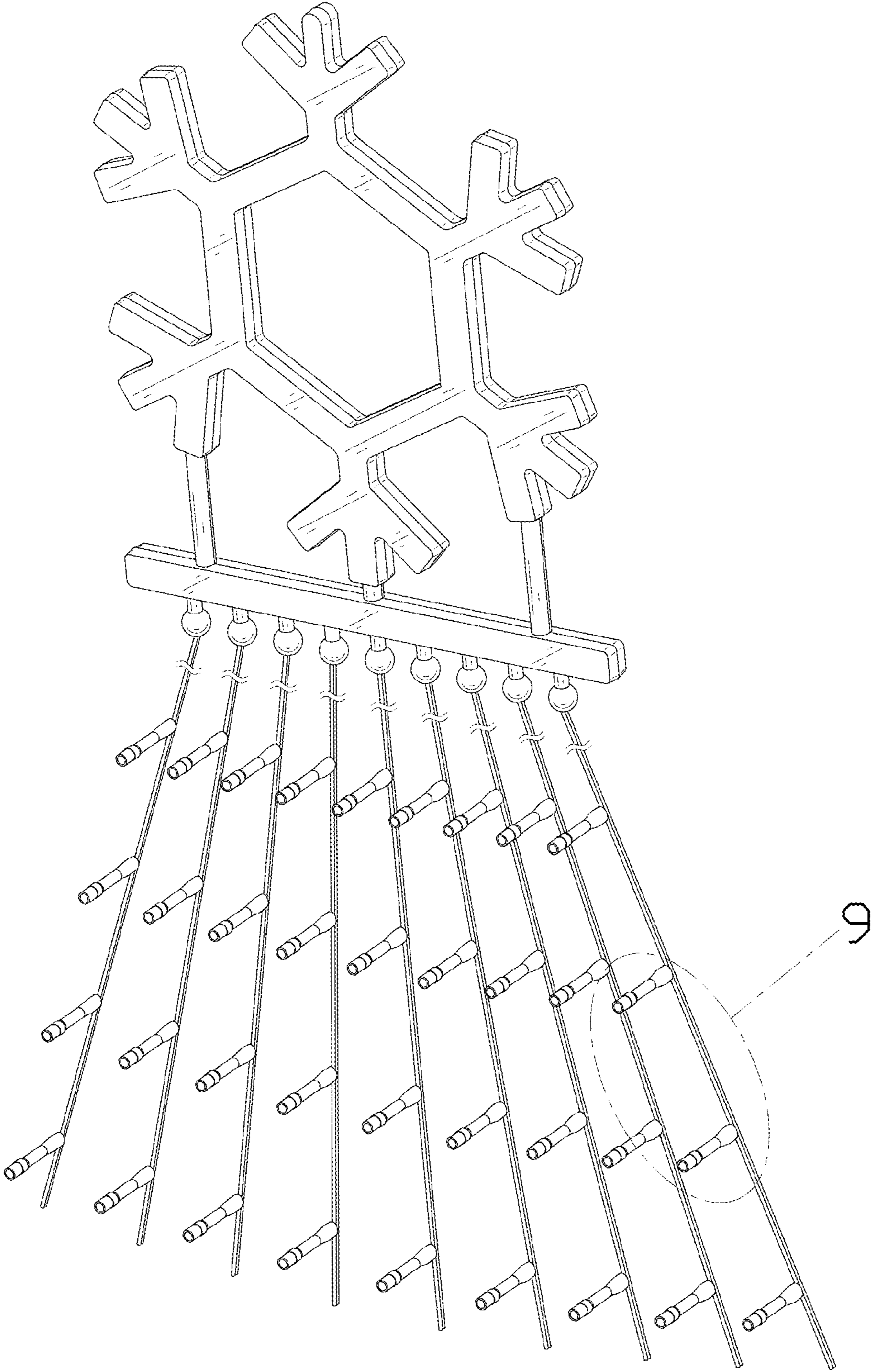


FIG. 1

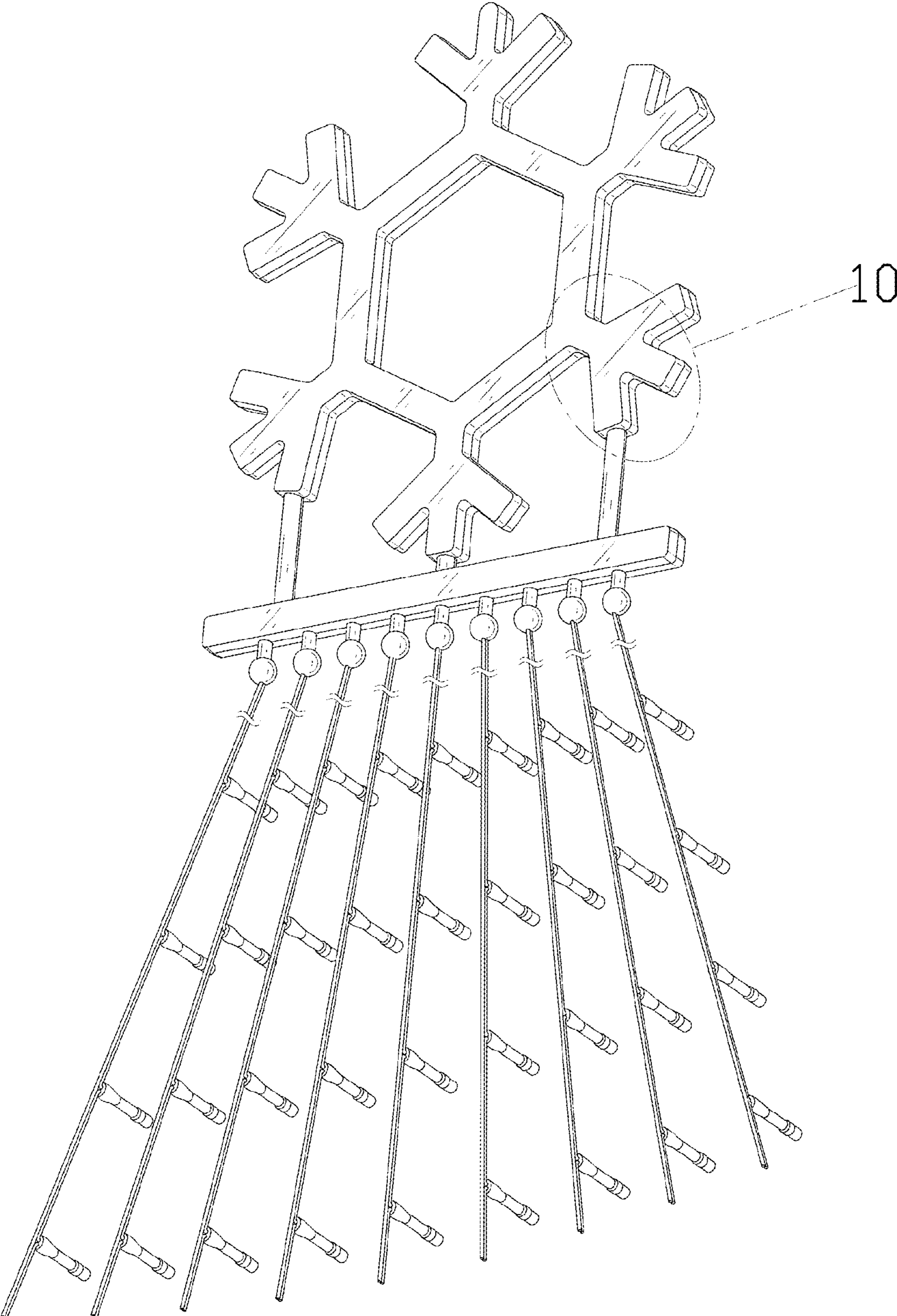


FIG. 2

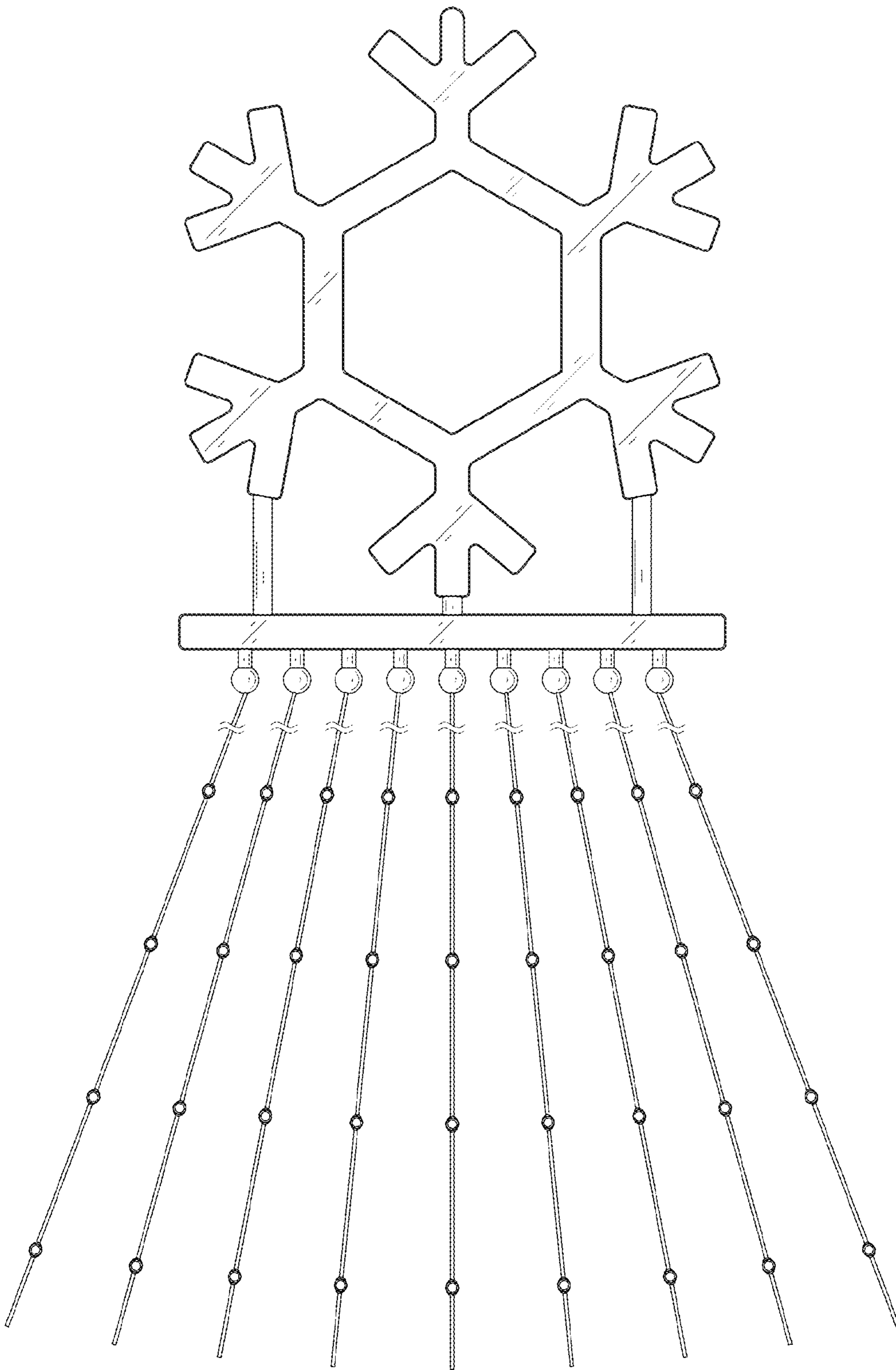


FIG. 3

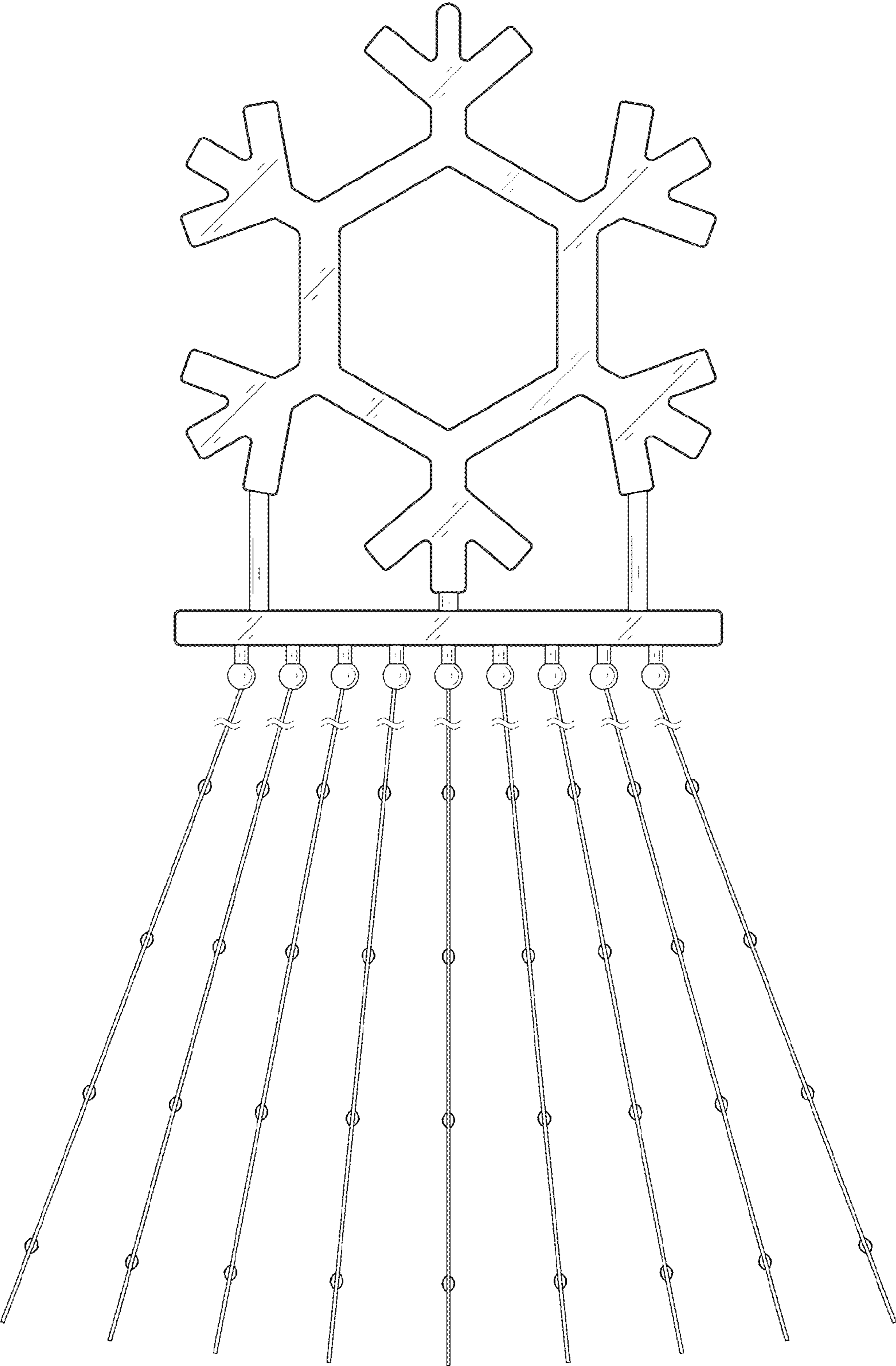


FIG. 4

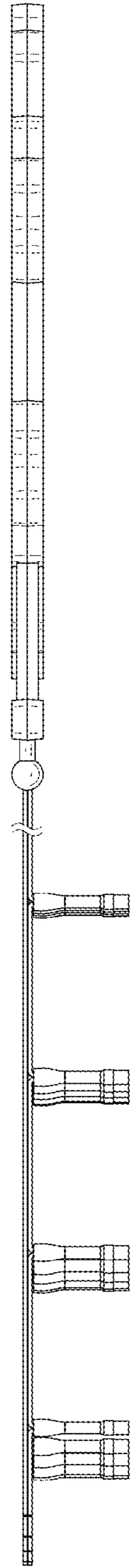


FIG. 5

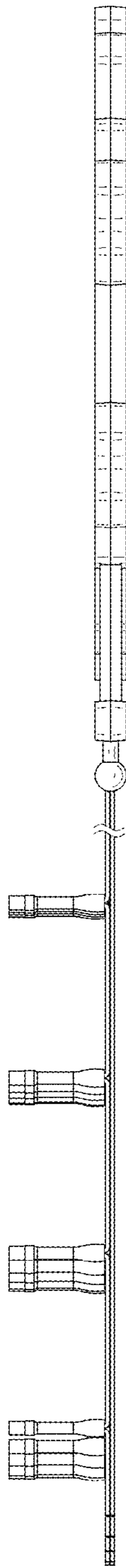


FIG. 6

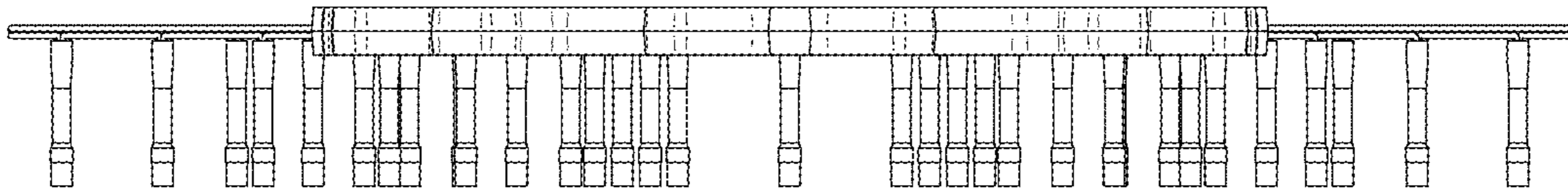


FIG. 7

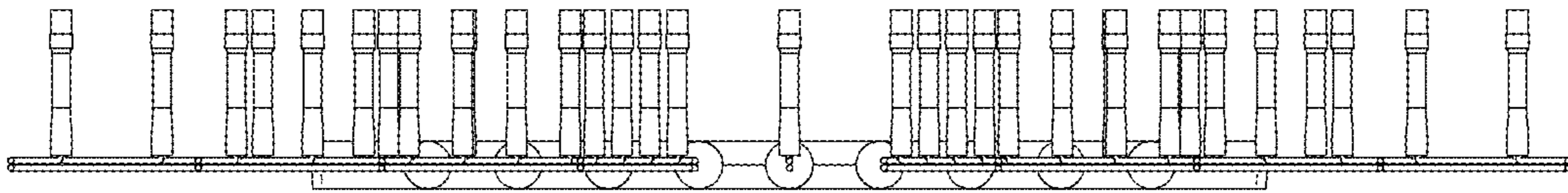


FIG. 8

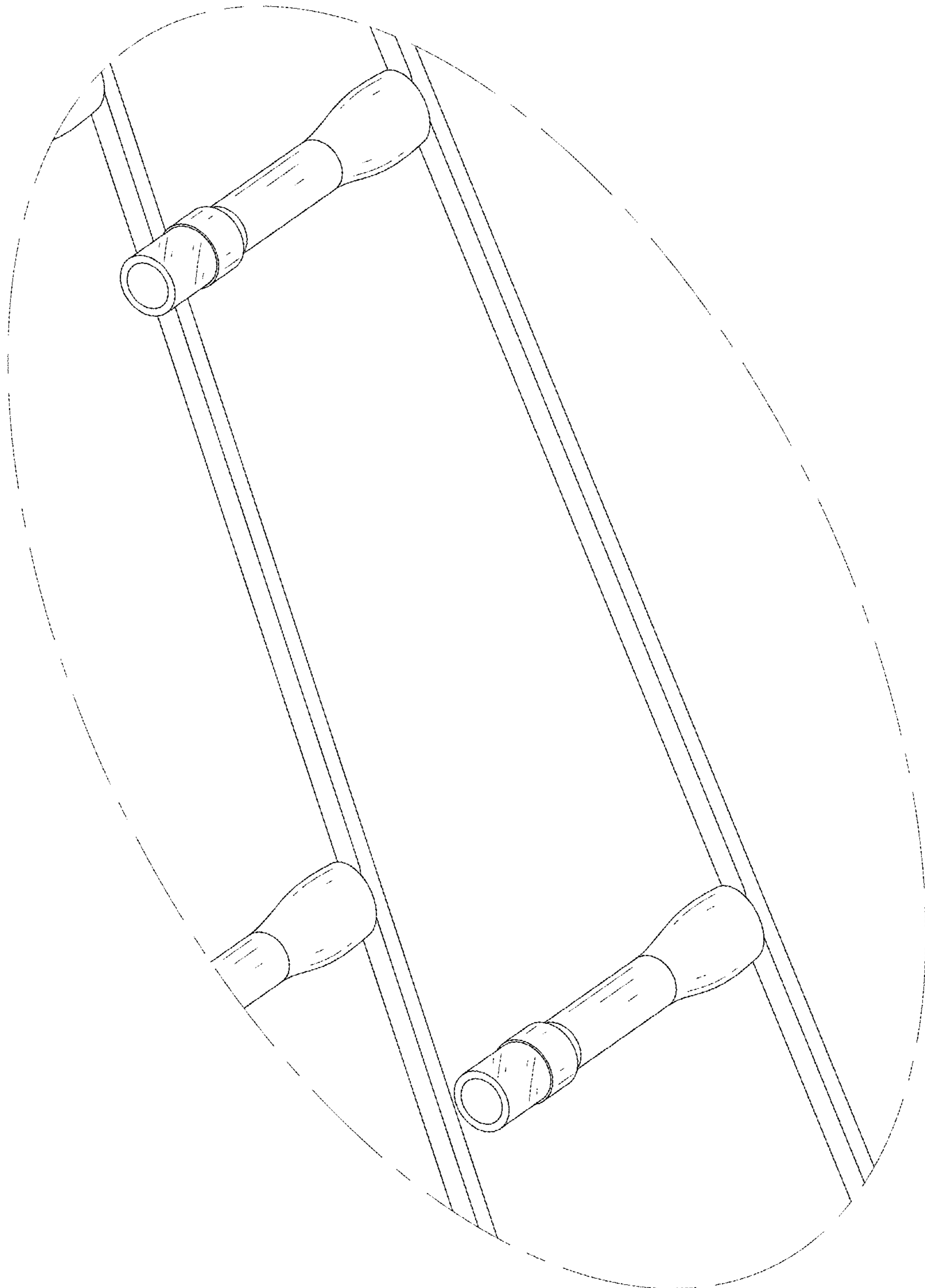


FIG. 9

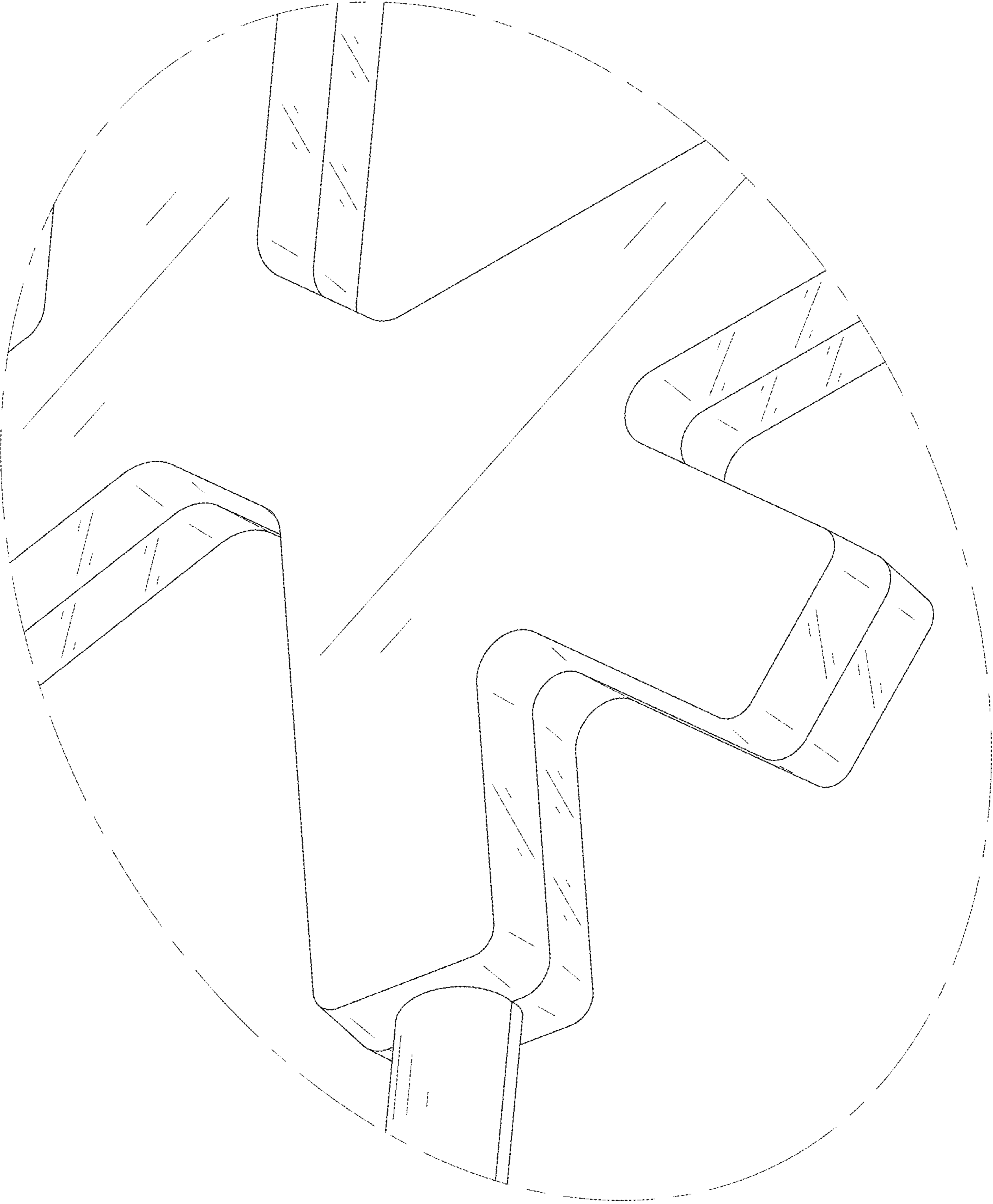


FIG. 10