



US00D988546S

(12) **United States Design Patent**
Wang

(10) **Patent No.:** **US D988,546 S**
(45) **Date of Patent:** **** Jun. 6, 2023**

(54) **LIGHT BULB**

(71) Applicant: **DONGGUAN HUIHUAN LIGHTING CO., LTD.**, Dongguan (CN)

(72) Inventor: **Song Wang**, Chengdu (CN)

(73) Assignee: **DONGGUAN HUIHUAN LIGHTING CO., LTD.**, Dongguan (CN)

(**) Term: **15 Years**

(21) Appl. No.: **29/836,093**

(22) Filed: **Apr. 25, 2022**

(30) **Foreign Application Priority Data**

Apr. 11, 2022 (CN) 202230200617.3

(51) **LOC (14) Cl.** **26-04**

(52) **U.S. Cl.**
USPC **D26/2**

(58) **Field of Classification Search**
USPC D26/1-4, 113, 138

(Continued)

(56) **References Cited**

U.S. PATENT DOCUMENTS

D340,295 S * 10/1993 Beauchamp D10/116.1

D461,573 S * 8/2002 Oetken D26/2

(Continued)

FOREIGN PATENT DOCUMENTS

CN 307074484 * 1/2022

OTHER PUBLICATIONS

25 Pack Emmiting shatterproof and Waterproof S14 Replacement LED Light Bulbs. By Emmitting. Dated Sep. 19, 2019. Found

online [Jan. 13, 2023]. <https://www.amazon.com/Emitting-Shatterproof-Waterproof-Replacement-Light/dp/B07Y1DG4GF> (Year: 2019).*

(Continued)

Primary Examiner — Mark A Goodwin
Assistant Examiner — William B Melliar

(57) **CLAIM**

The ornamental design for a light bulb, as shown and described.

DESCRIPTION

FIG. 1 is a perspective view of a first embodiment of a light bulb showing my new design;

FIG. 2 is another perspective view thereof;

FIG. 3 is a front elevational view thereof;

FIG. 4 is a rear elevational view thereof;

FIG. 5 is a left side elevational view thereof;

FIG. 6 is a right side elevational view thereof;

FIG. 7 is a top plan view thereof;

FIG. 8 is a bottom plan view thereof;

FIG. 9 is a perspective view of a second embodiment of the light bulb;

FIG. 10 is another perspective view thereof;

FIG. 11 is a front elevational view thereof;

FIG. 12 is a rear elevational view thereof;

FIG. 13 is a left side elevational view thereof;

FIG. 14 is a right side elevational view thereof;

FIG. 15 is a top plan view thereof;

FIG. 16 is a bottom plan view thereof;

FIG. 17 is a perspective view of a third embodiment of the light bulb;

FIG. 18 is another perspective view thereof;

FIG. 19 is a front elevational view thereof;

FIG. 20 is a rear elevational view thereof;

FIG. 21 is a left side elevational view thereof;

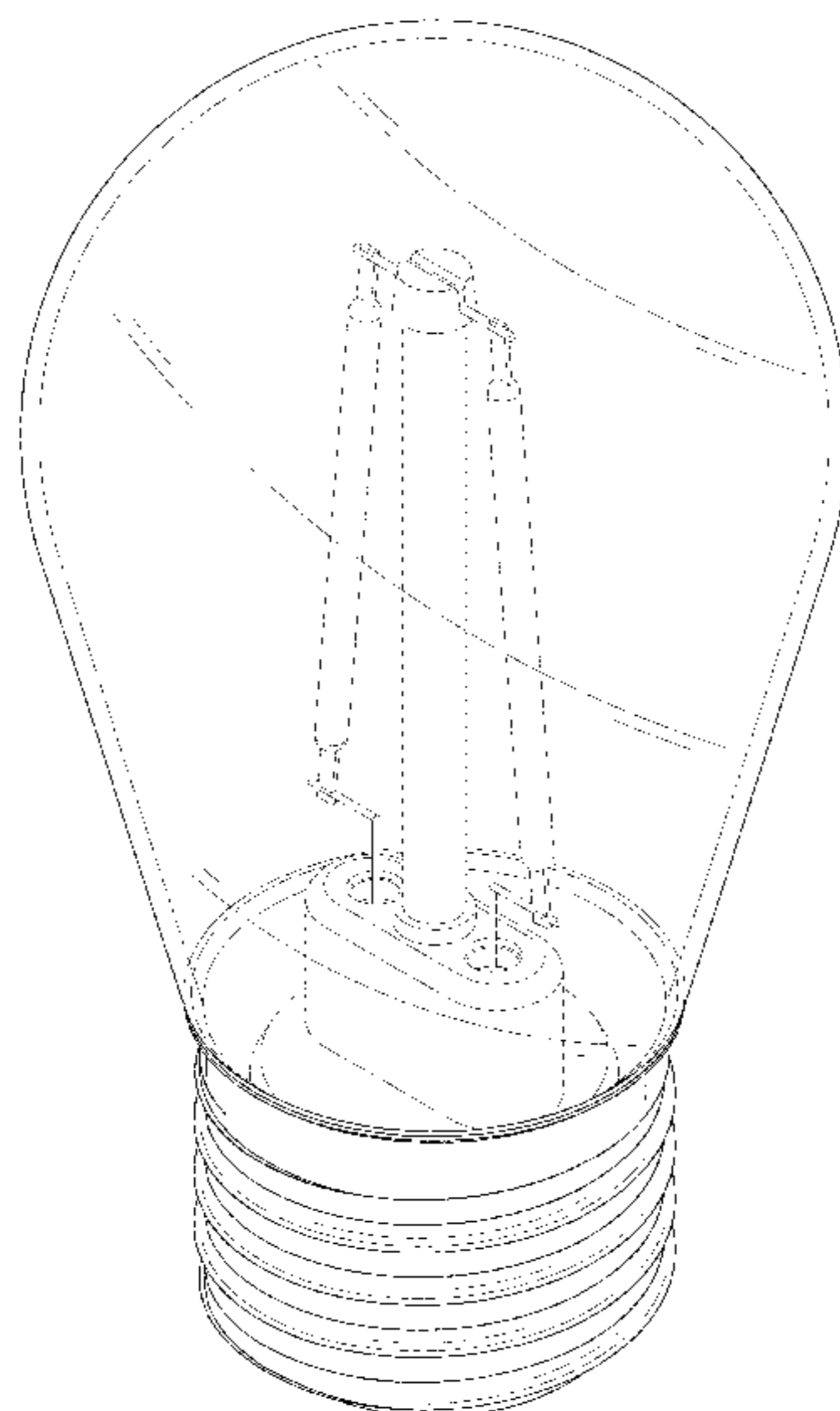
FIG. 22 is a right side elevational view thereof;

FIG. 23 is a top plan view thereof; and,

FIG. 24 is a bottom plan view thereof.

The broken lines in the drawings depict portions of the light bulb that form no part of the claimed design.

1 Claim, 24 Drawing Sheets



- (58) **Field of Classification Search**
 CPC F21Y 2115/10; F21K 9/232; F21V 3/02;
 F21V 3/00; F21V 19/006; F21W 2131/30
 See application file for complete search history.

(56) **References Cited**

U.S. PATENT DOCUMENTS

D484,995	S	1/2004	Vakil	
D549,360	S *	8/2007	An	D26/2
D655,024	S *	2/2012	deBetak	D26/2
D690,446	S *	9/2013	Buttstaedt	D26/2
D789,566	S	6/2017	Morneau et al.	
D793,585	S *	8/2017	Zhang	D26/2
D801,556	S *	10/2017	Yao	D26/2
D804,063	S *	11/2017	Yeung	D26/2
D820,478	S *	6/2018	Jiang	D26/2
D820,479	S *	6/2018	Jiang	D26/2
D824,051	S *	7/2018	Jiang	D26/2
D827,163	S *	8/2018	Jiang	D26/2
D827,164	S *	8/2018	Jiang	D26/2
D829,941	S *	10/2018	Wang	D26/2
D829,942	S *	10/2018	Gao	D26/2
D829,943	S *	10/2018	Wu	D26/2
D830,587	S *	10/2018	Wu	D26/2
D832,470	S *	10/2018	Wu	D26/2
D859,697	S *	9/2019	Yeung	D26/2

D859,698	S *	9/2019	Yeung	D26/2
D859,700	S *	9/2019	Li	D26/4
D863,609	S *	10/2019	Wang	D26/2
D866,812	S *	11/2019	Wang	D26/2
D869,008	S *	12/2019	Wang	D26/2
D872,320	S *	1/2020	Pan	D26/2
D888,291	S *	6/2020	Pan	D26/2
D905,298	S *	12/2020	Wang	D26/2
11,215,327	B1 *	1/2022	Wang	F21K 9/232
D943,786	S *	2/2022	Yan	D26/2
2016/0258600	A1 *	9/2016	Jain	F21K 9/65
2019/0368666	A1 *	12/2019	Jiang	H05B 45/30
2022/0349532	A1 *	11/2022	Wang	F21K 9/232

OTHER PUBLICATIONS

Meconard 15 Pack LED S14 Replacement Light Bulbs. By Meconard. Dated Dec. 10, 2020. Found online [Jan. 13, 2023]. <https://www.amazon.com/dp/B08Q44GKZS> (Year: 2020).*

Alampever 24 Pack Shatterproof and Waterproof S14 Replacement LED Light Bulbs. By Alampever. Dated Feb. 12, 2021. Found online [Jan. 13, 2023]. <https://www.amazon.com/dp/B08K89C54C> (Year: 2021).*

WinsaLED 15 Pack S14 LED Bulbs. By Winsa Lighting. Dated Mar. 30, 2021. Found online [Jan. 13, 2023]. <https://www.amazon.com/dp/B091CYGN7D> (Year: 2021).*

* cited by examiner

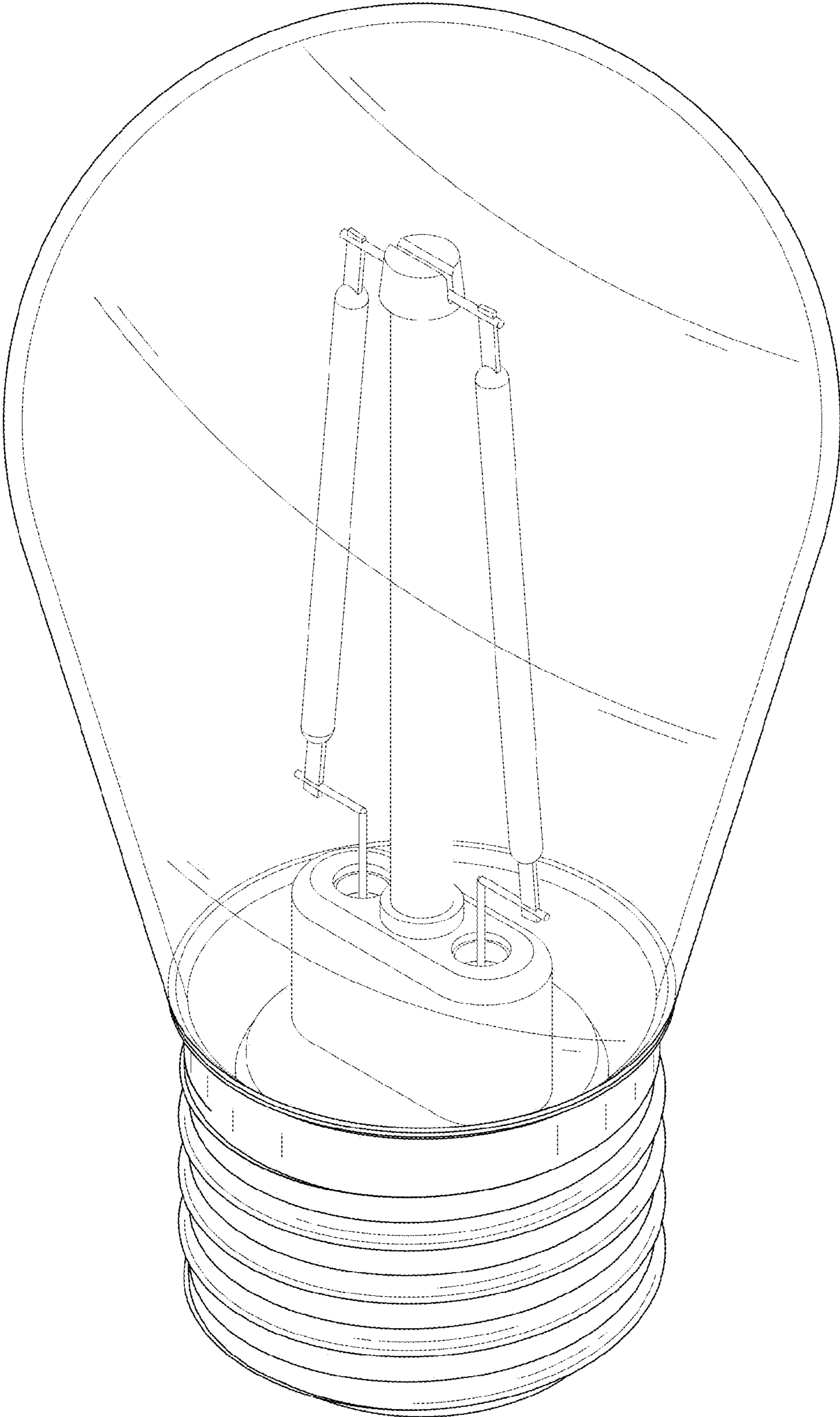


FIG. 1

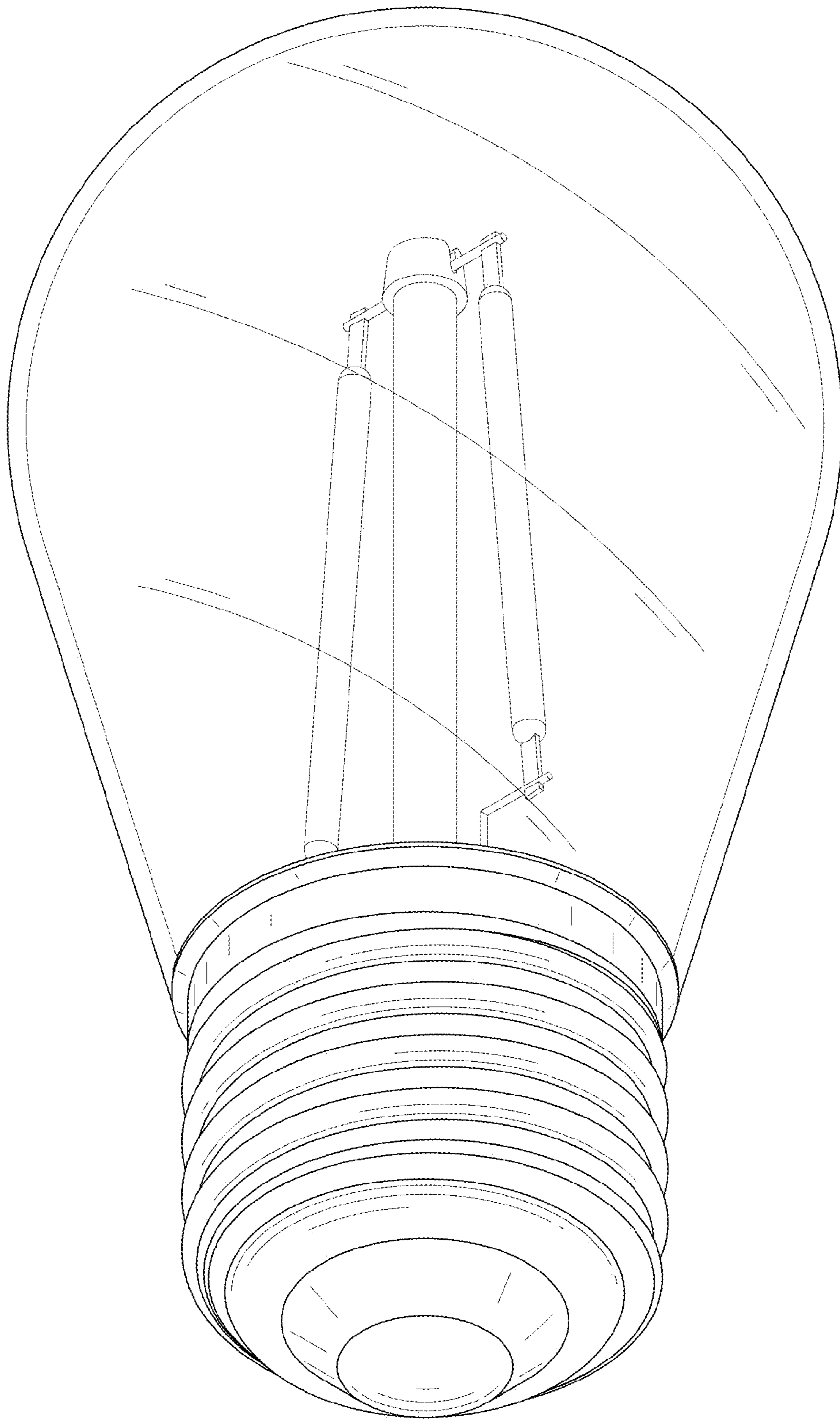


FIG. 2

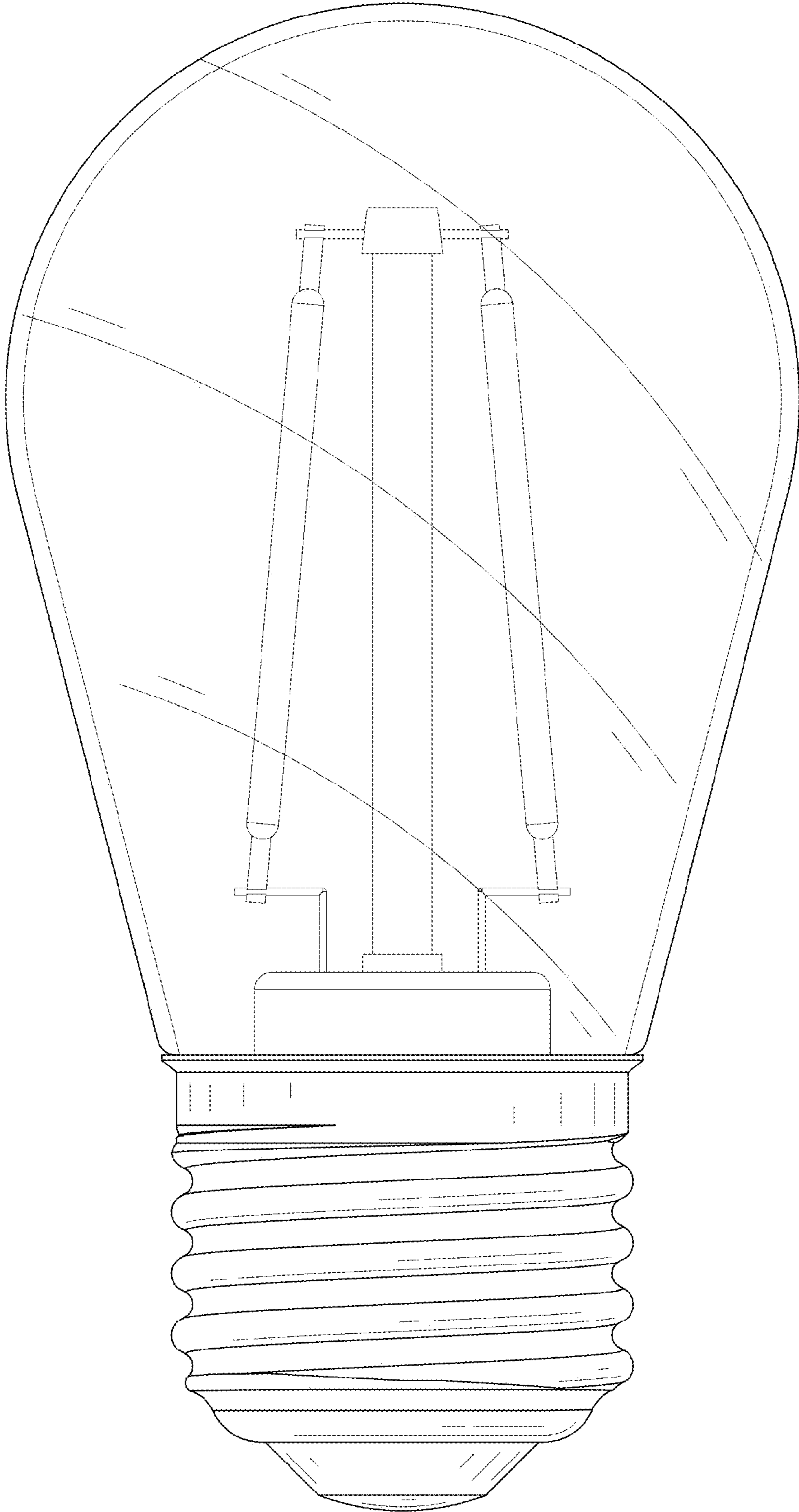


FIG. 3

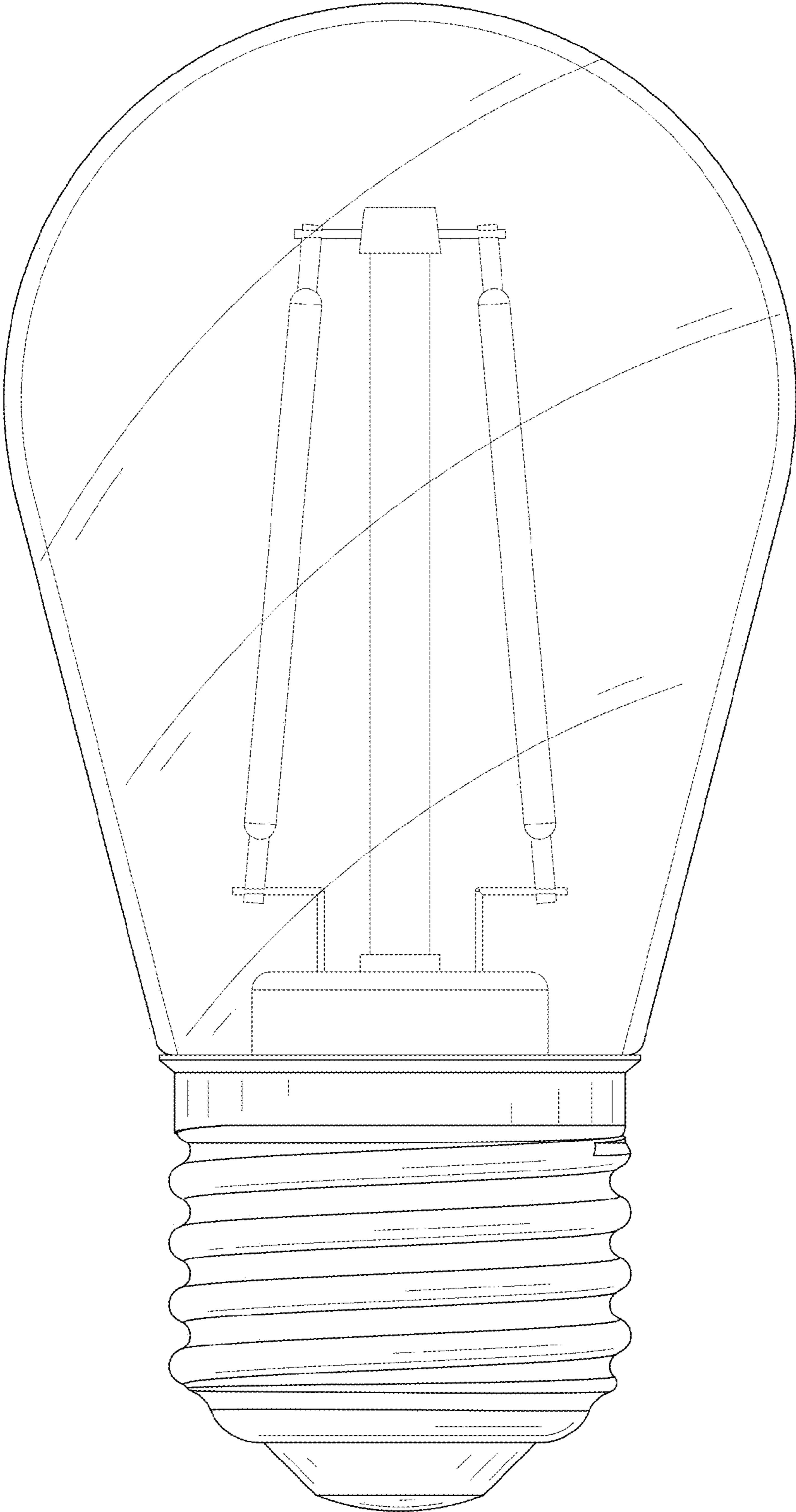


FIG. 4

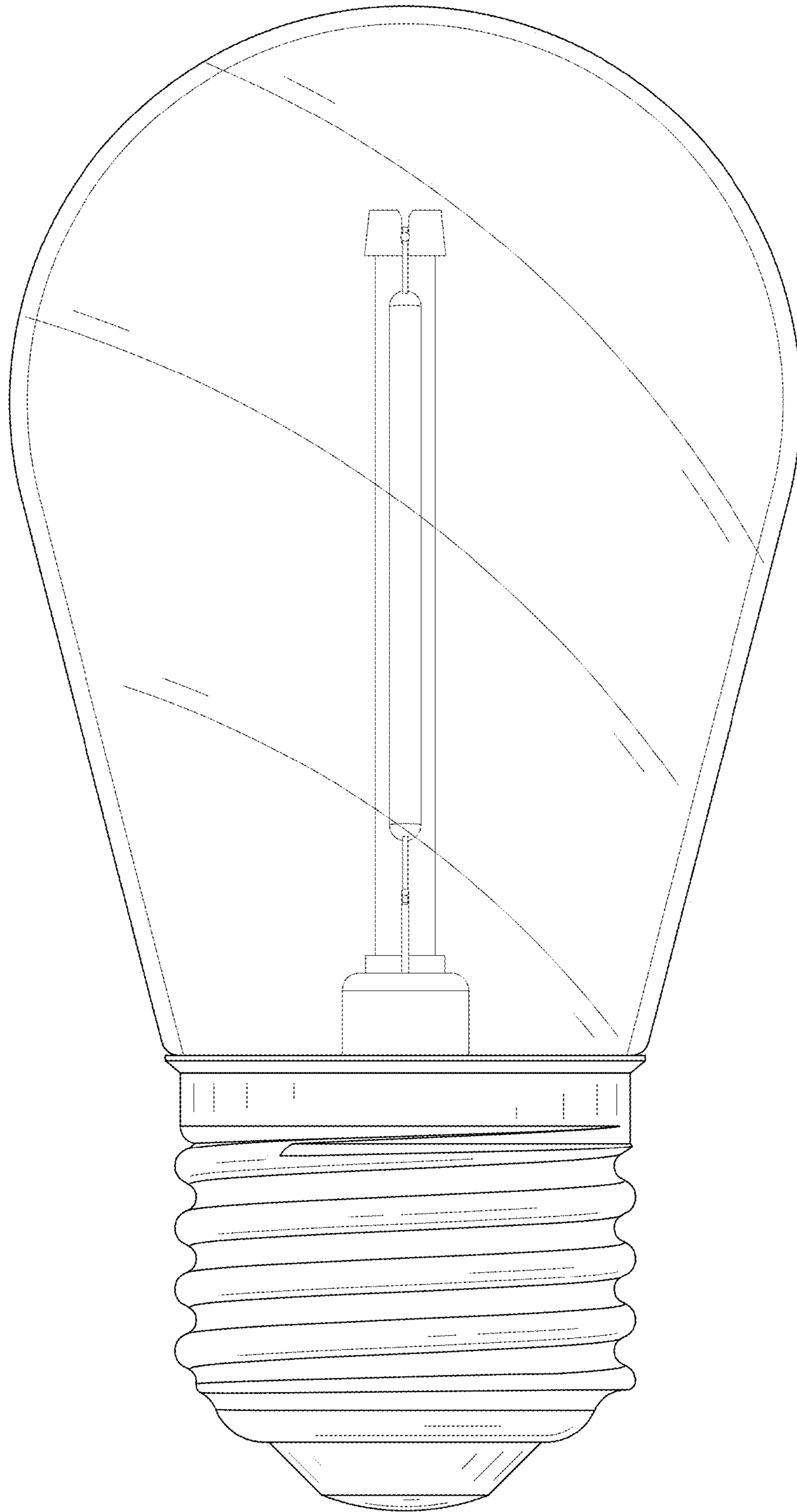


FIG. 5

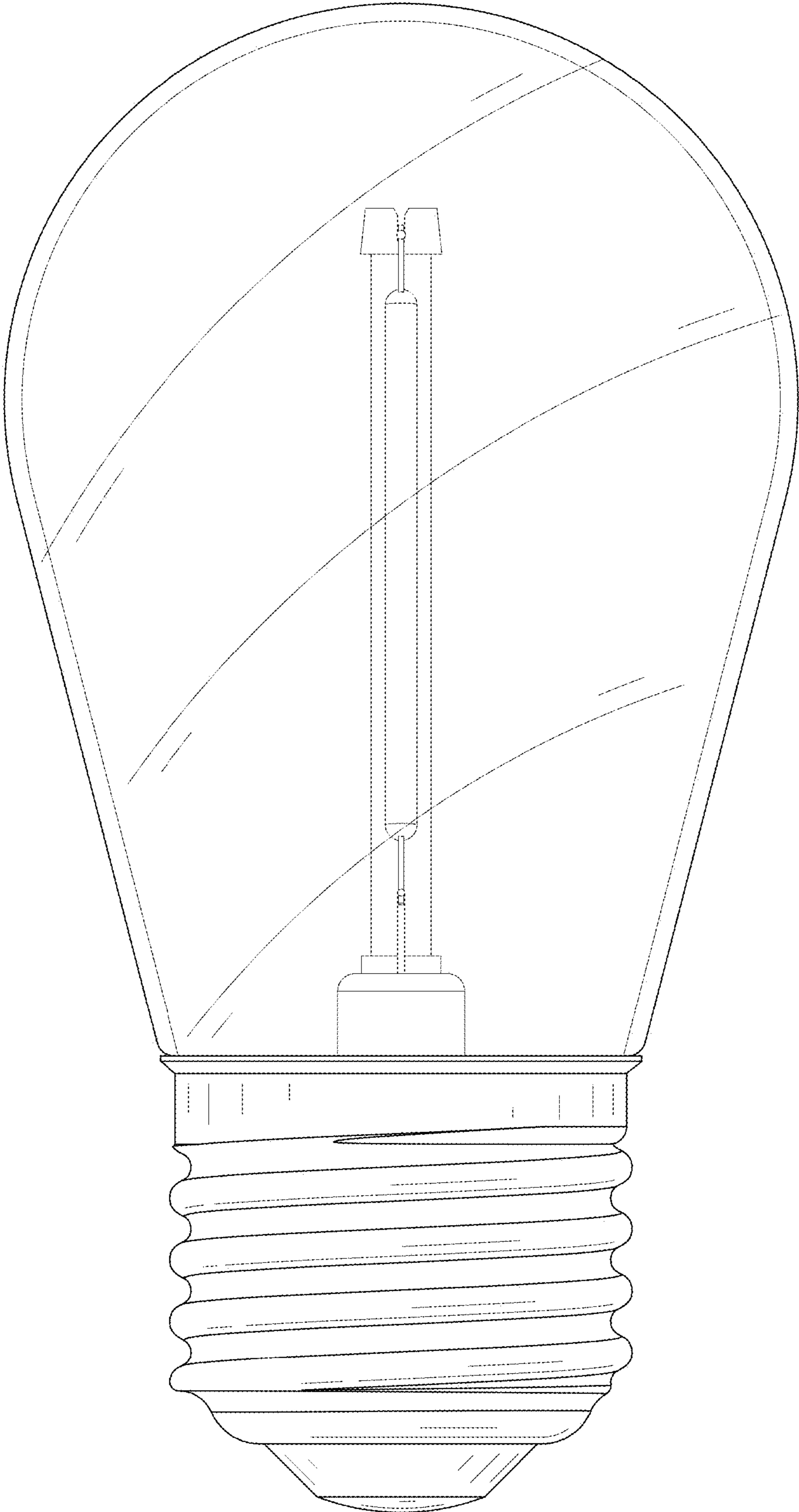


FIG. 6

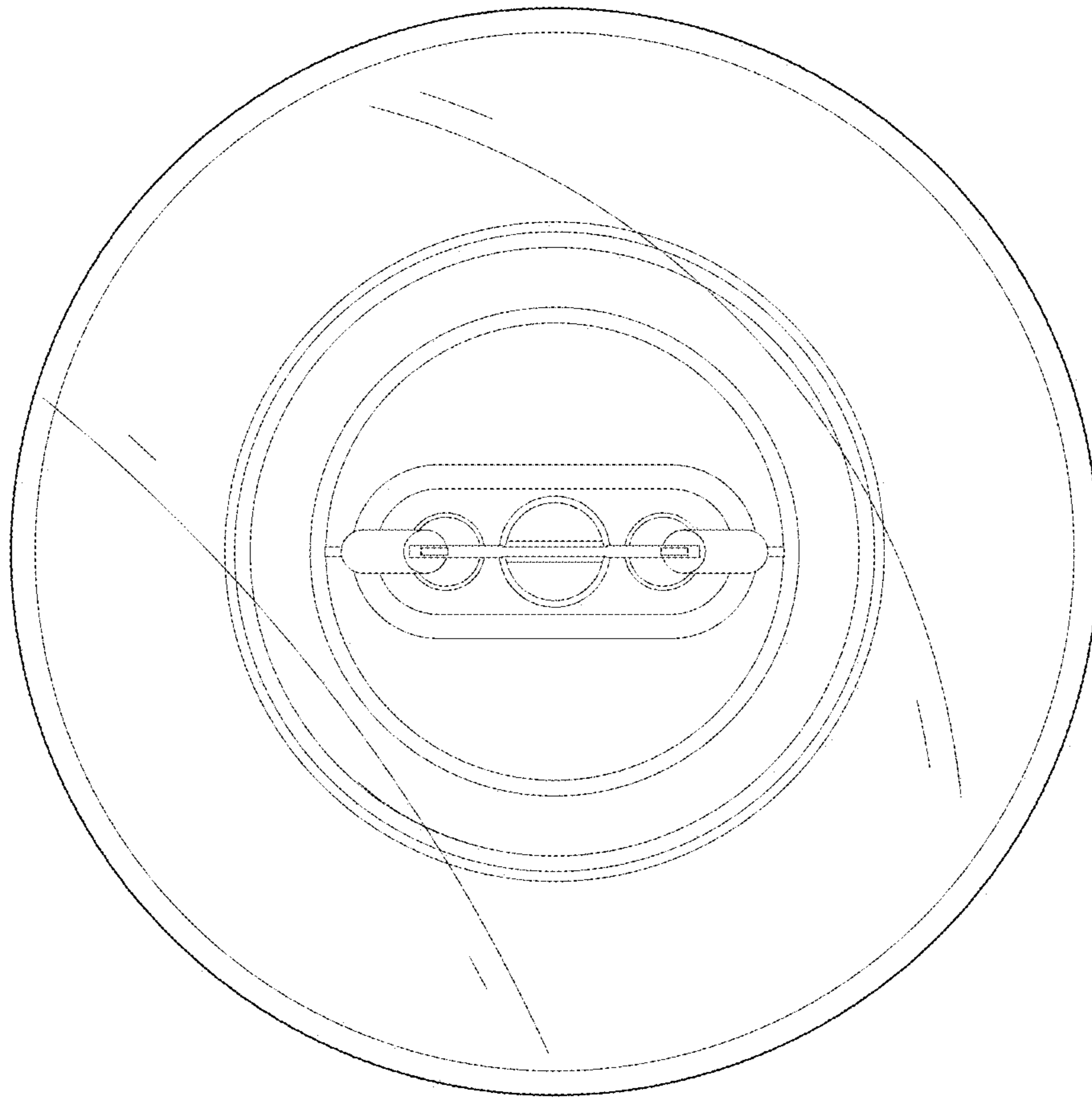


FIG. 7

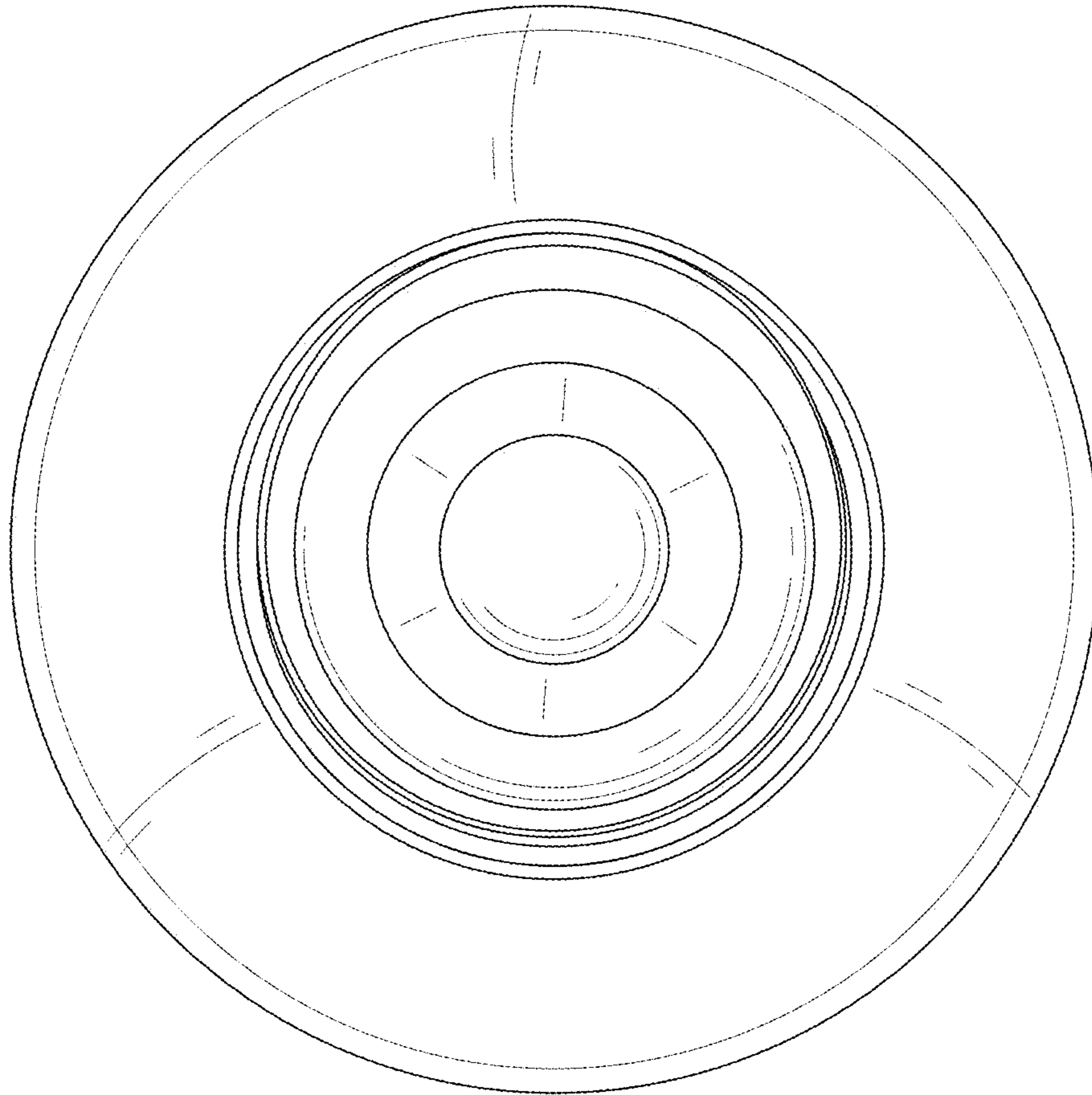


FIG. 8

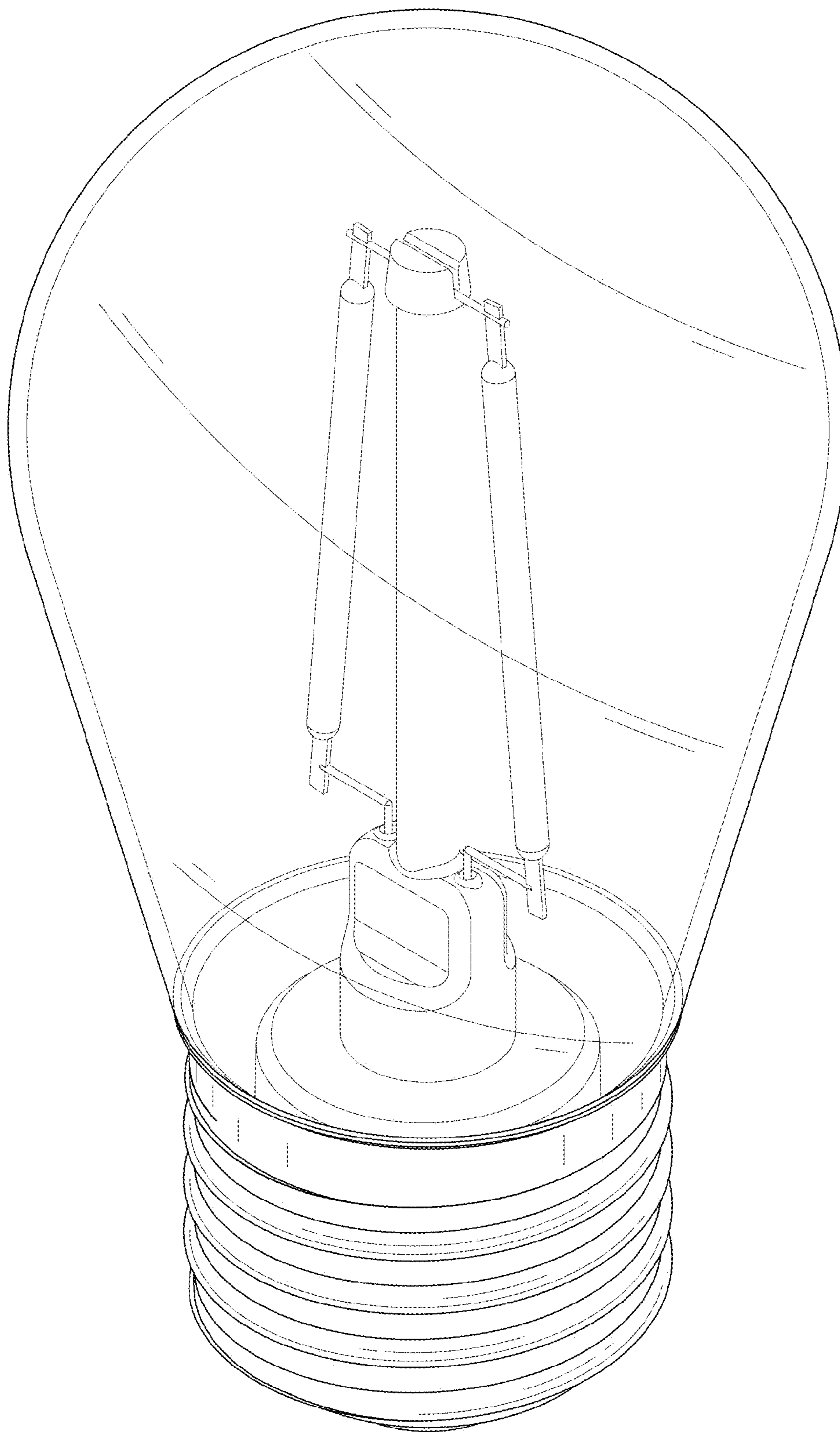


FIG. 9

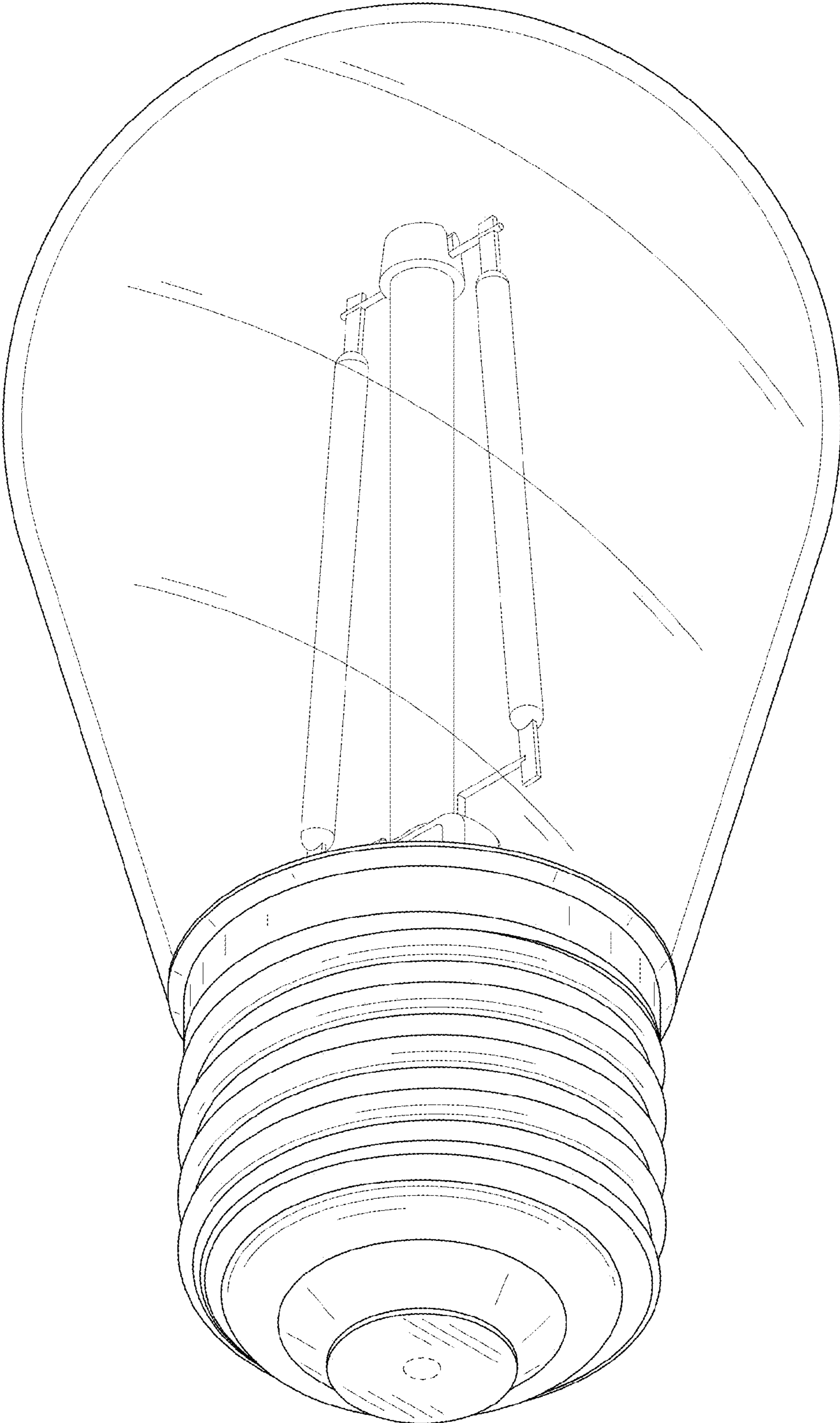


FIG. 10

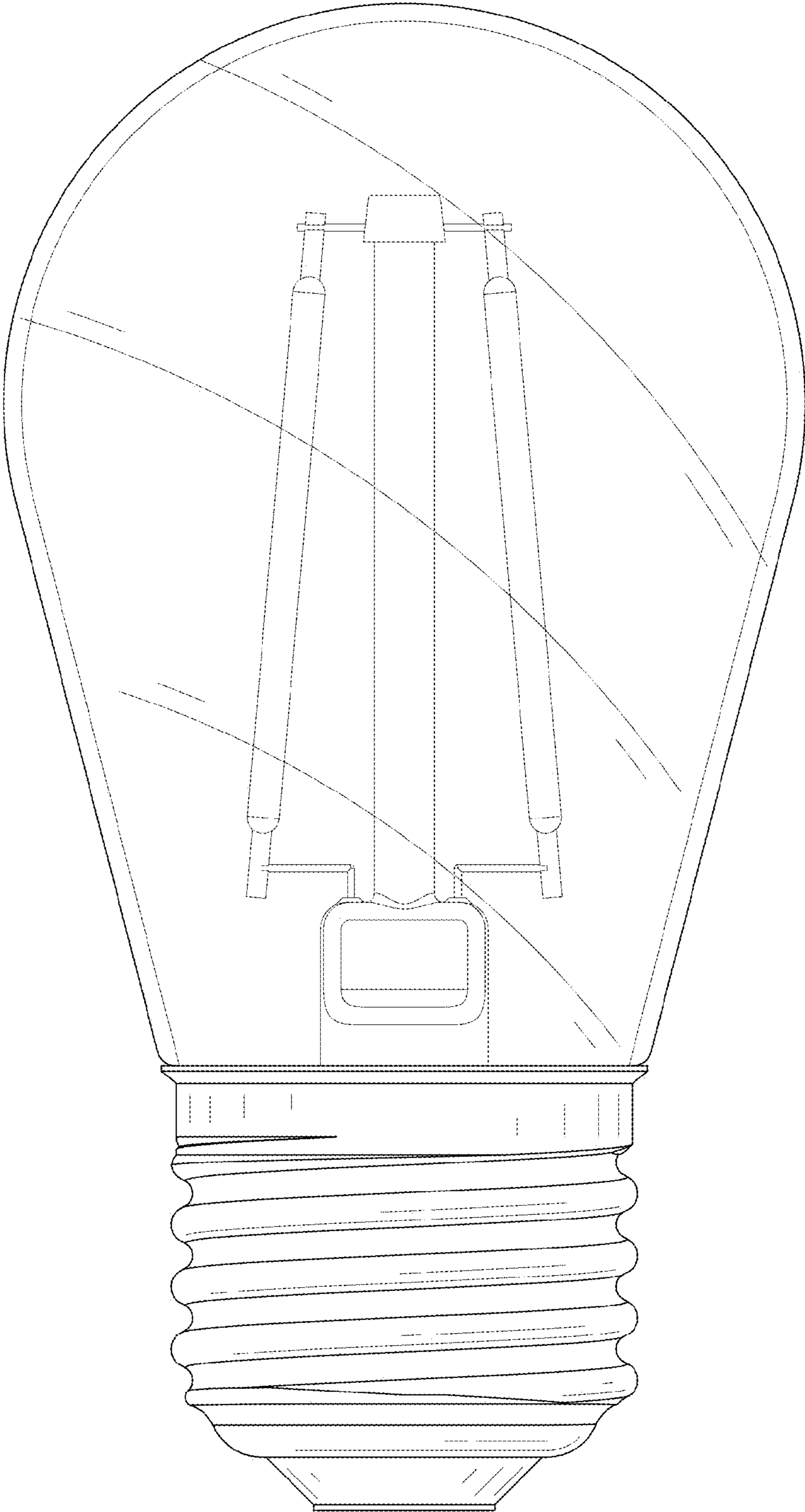


FIG. 11

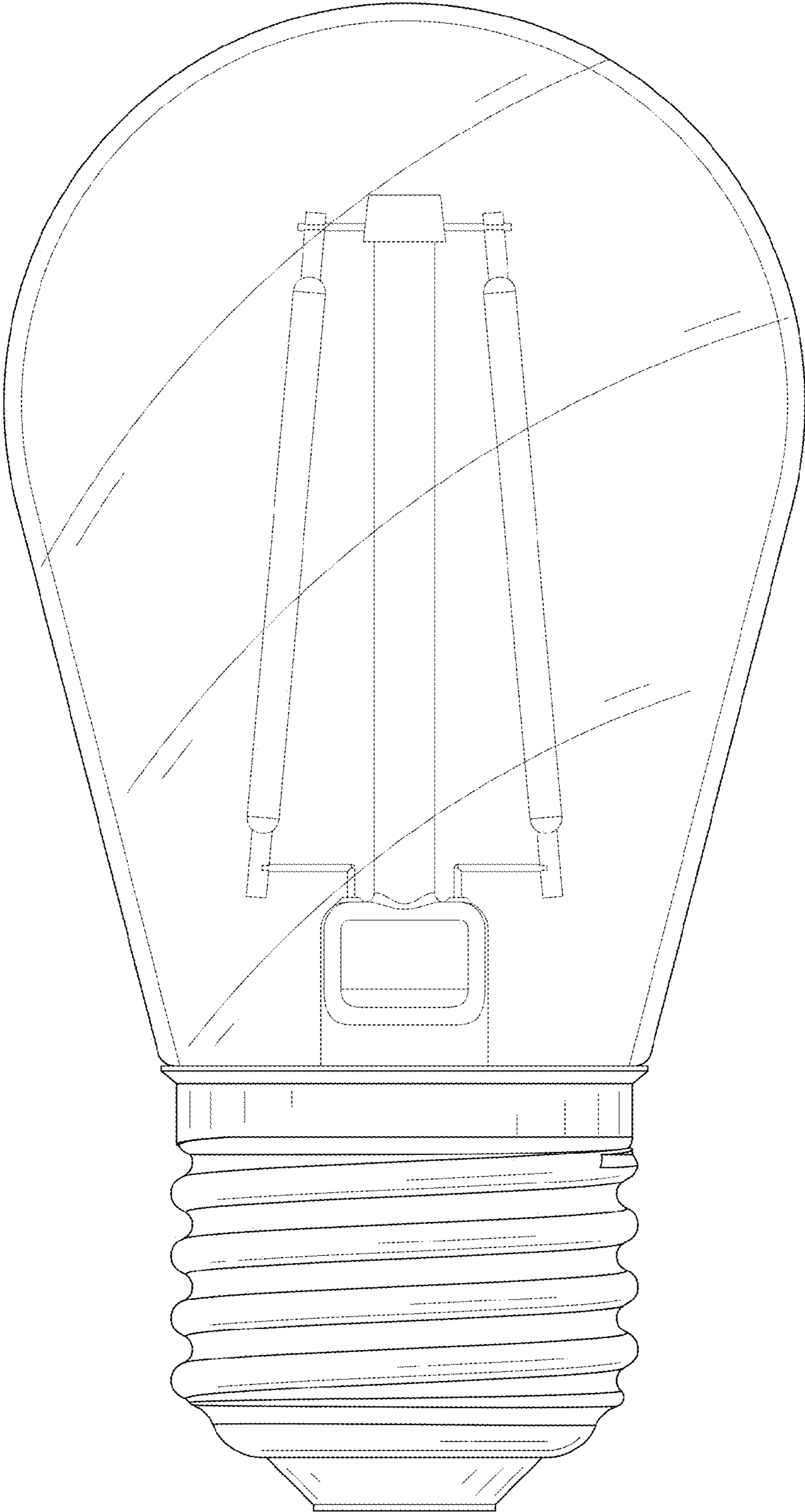


FIG. 12

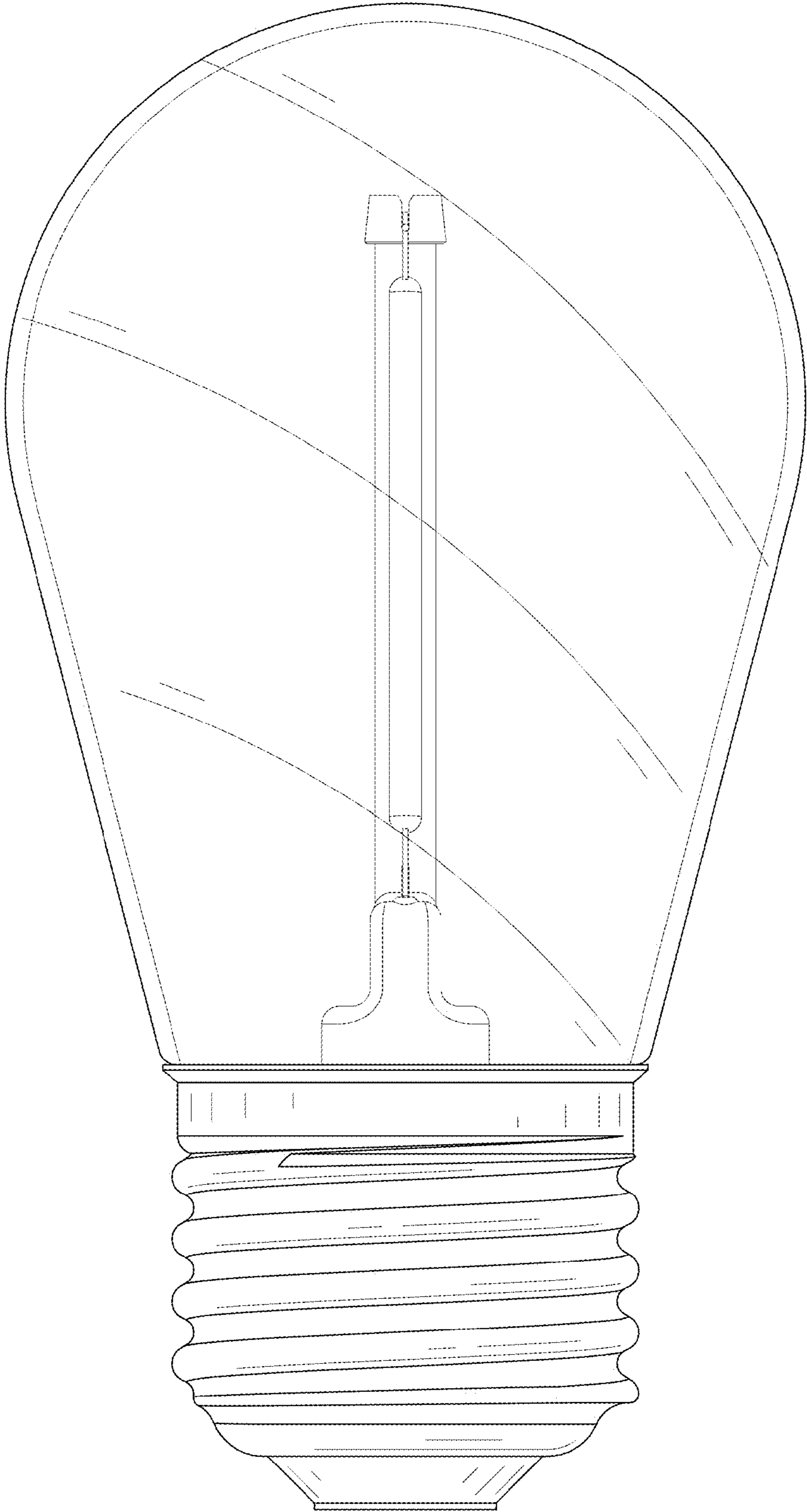


FIG. 13

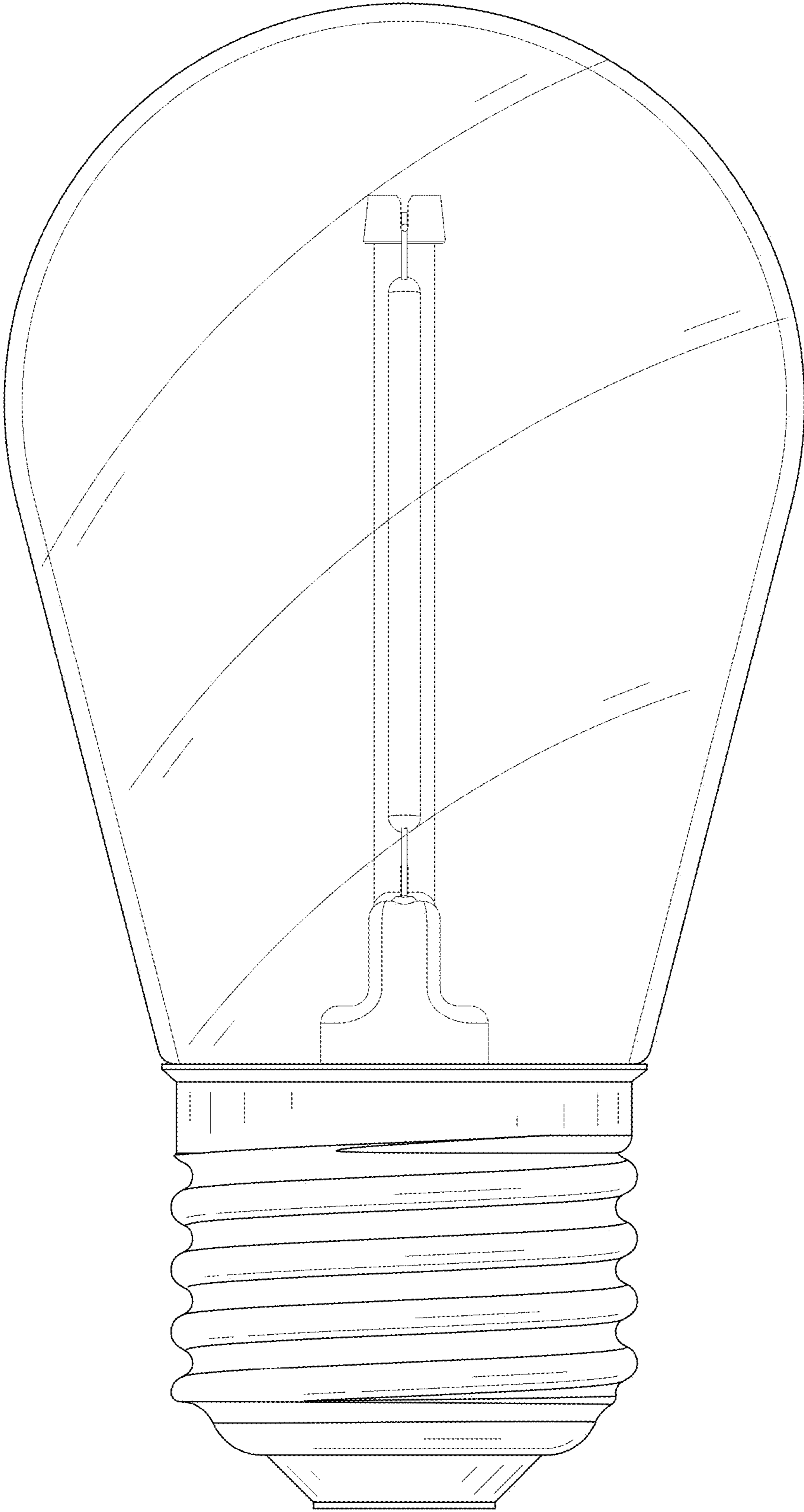


FIG. 14

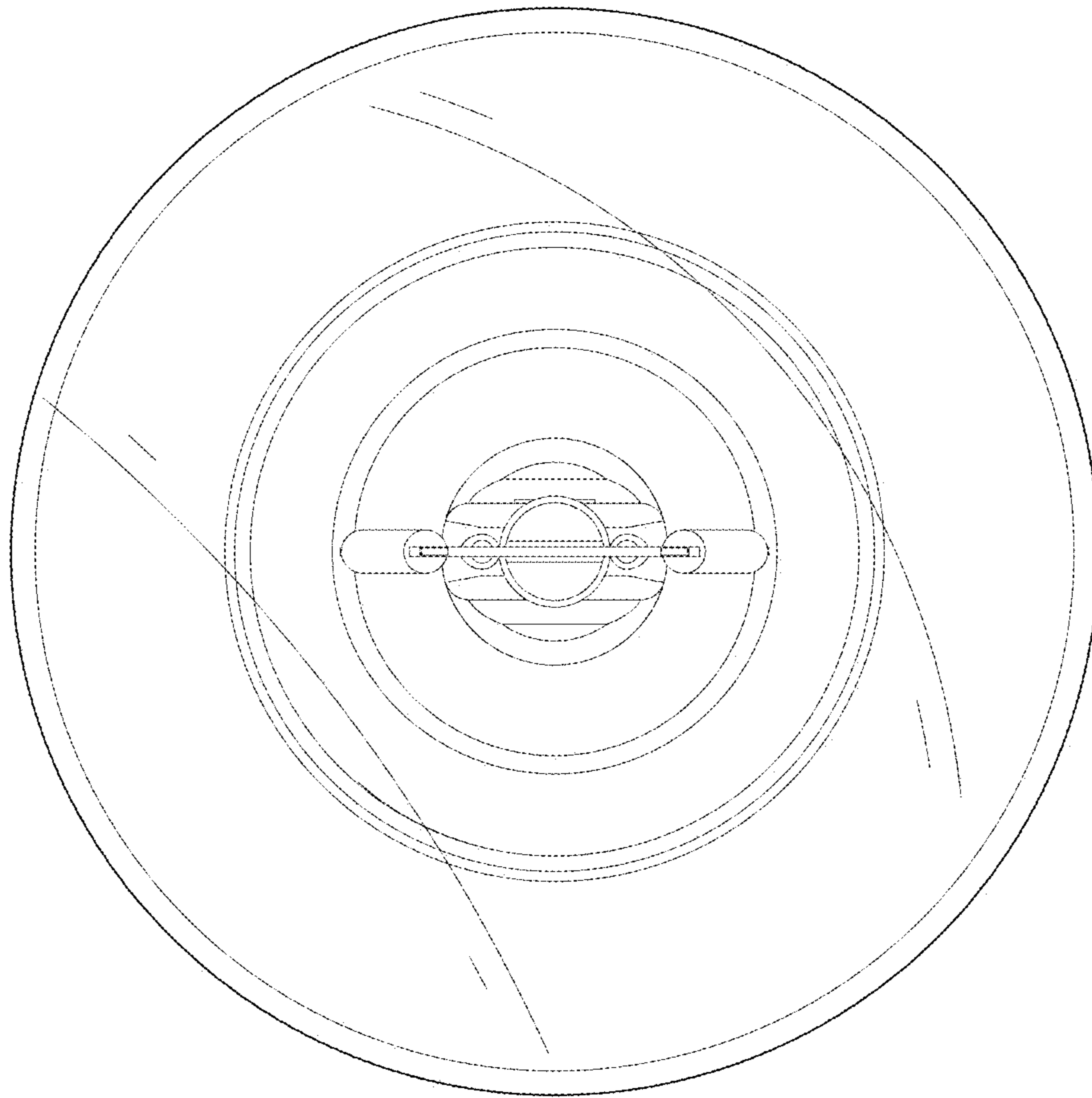


FIG. 15

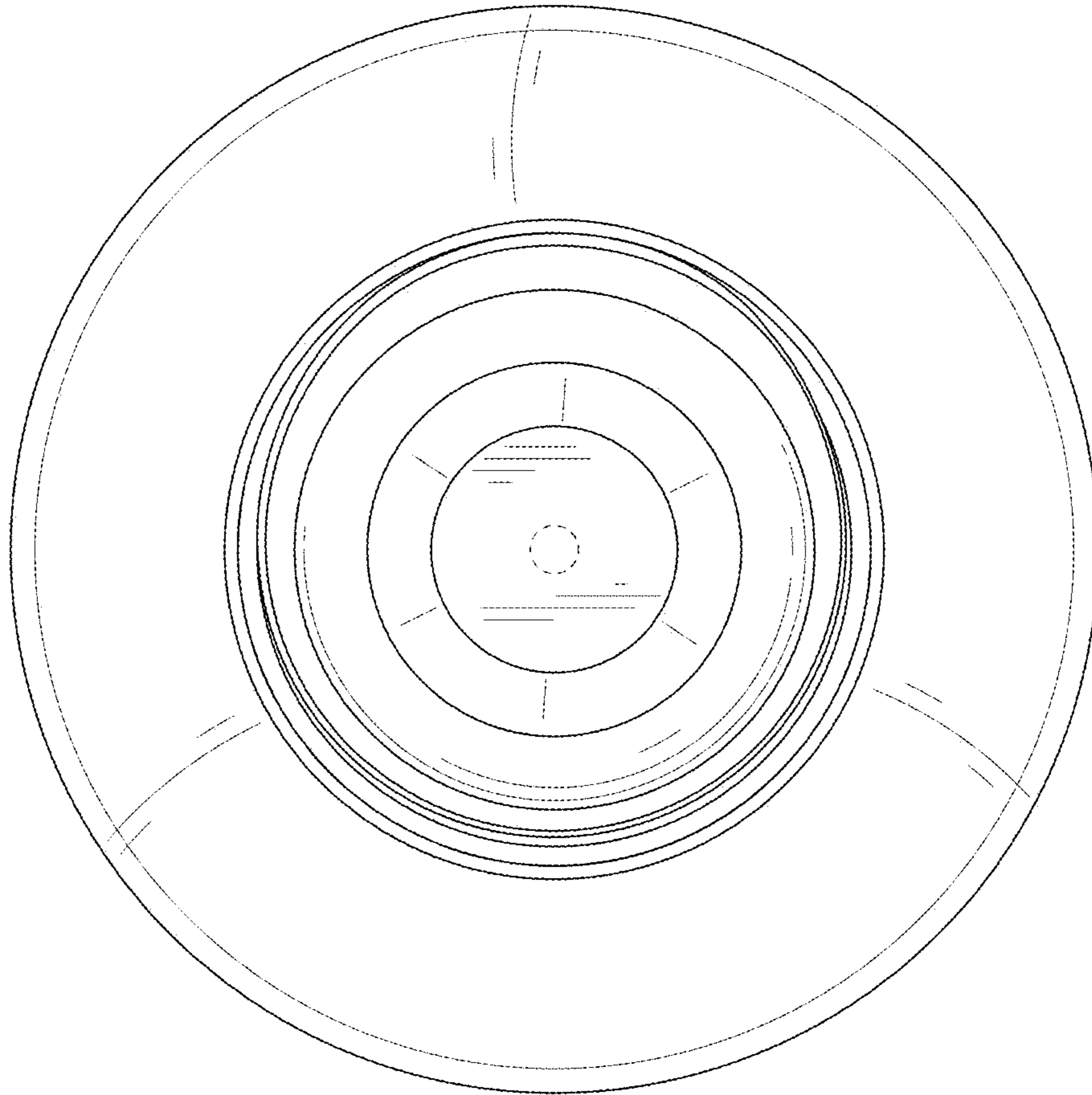


FIG. 16

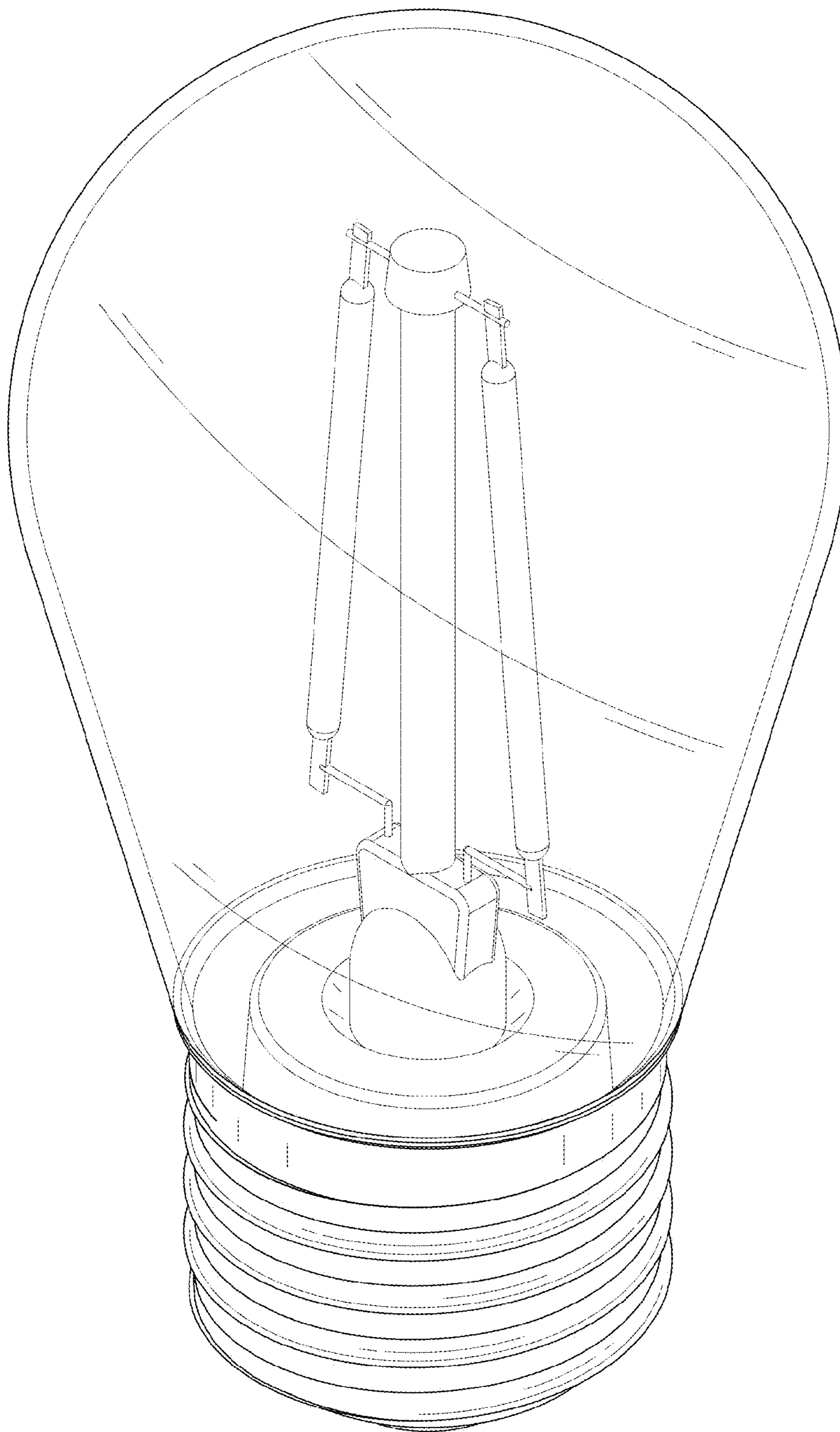


FIG. 17

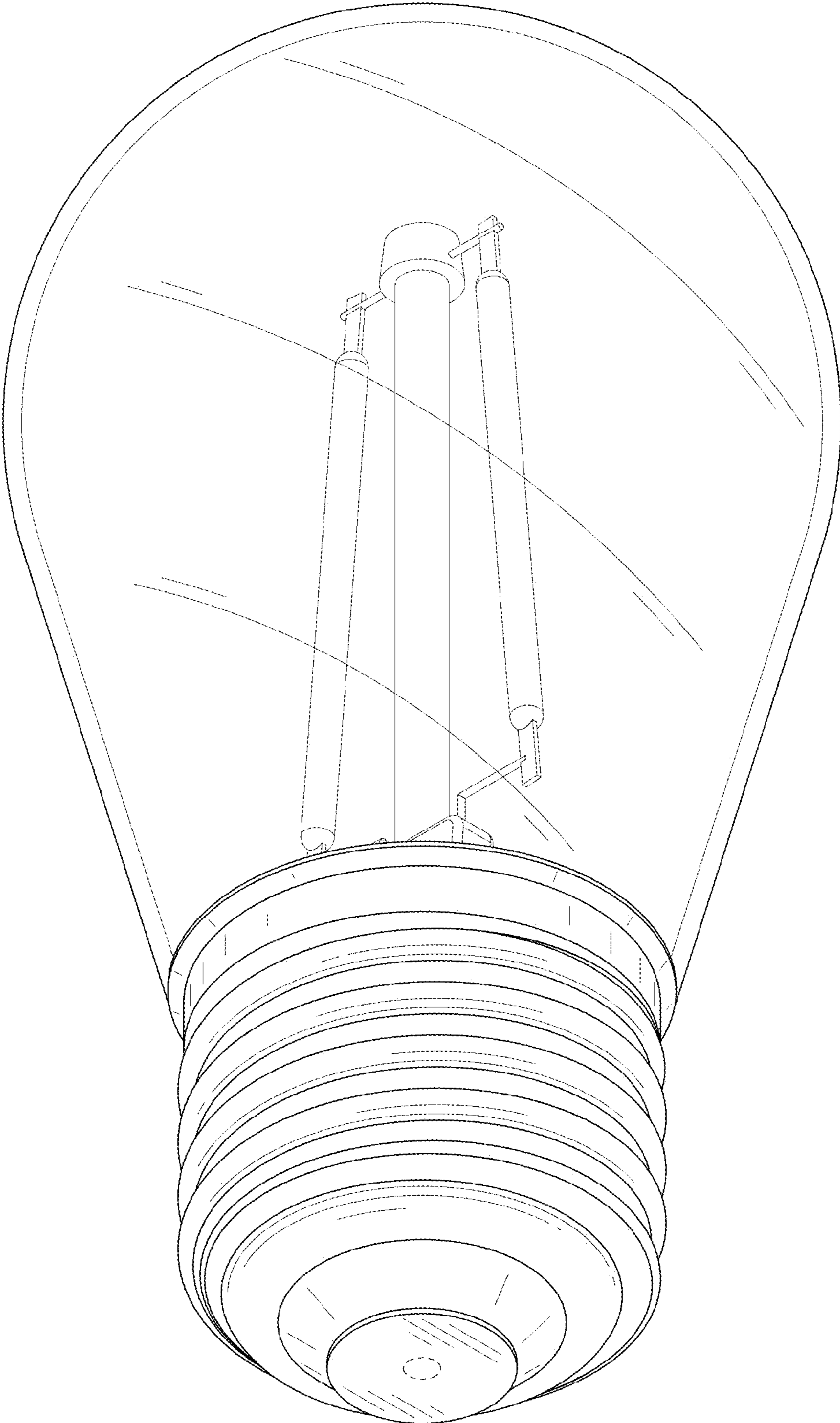


FIG. 18

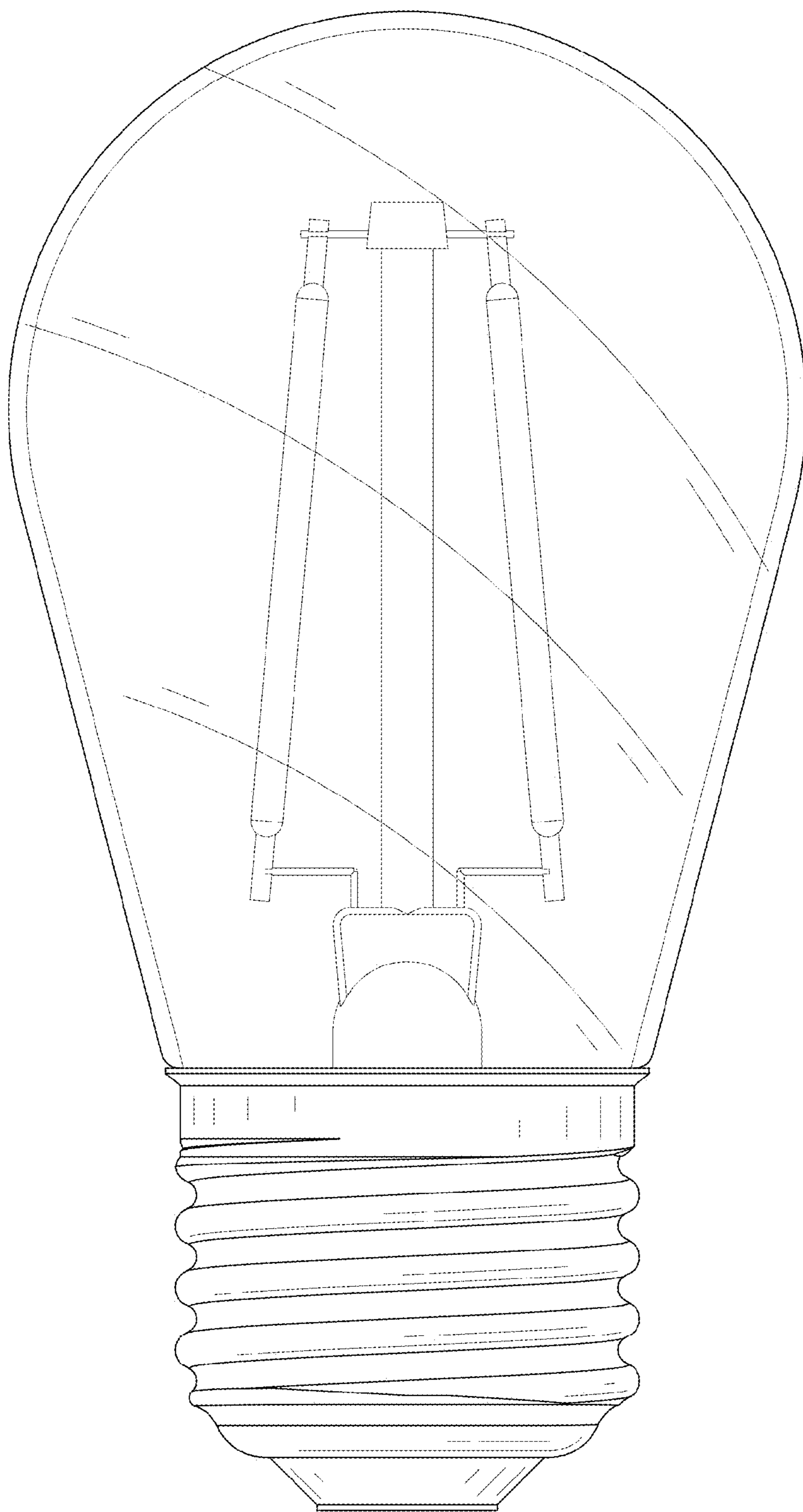


FIG. 19

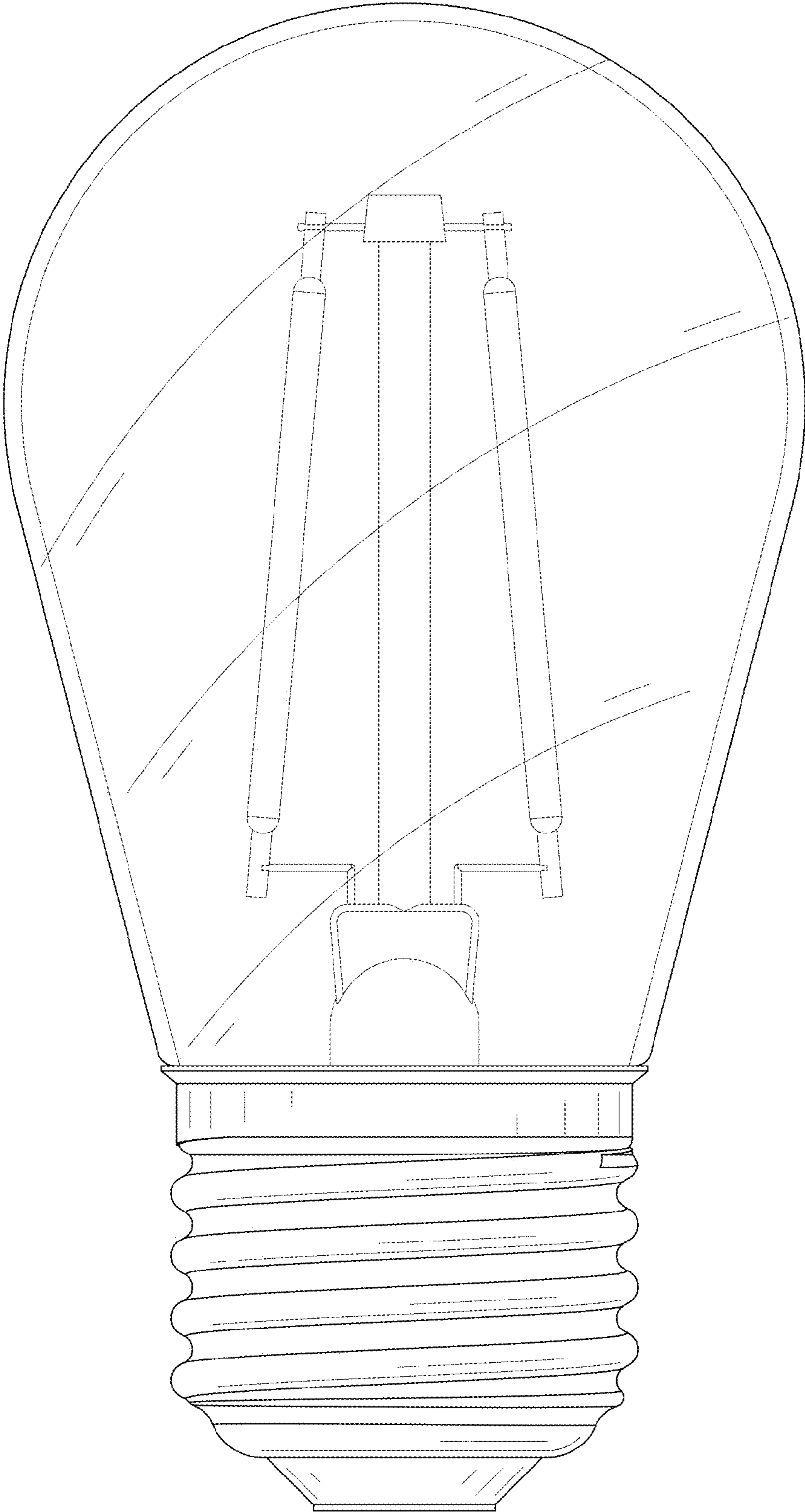


FIG. 20

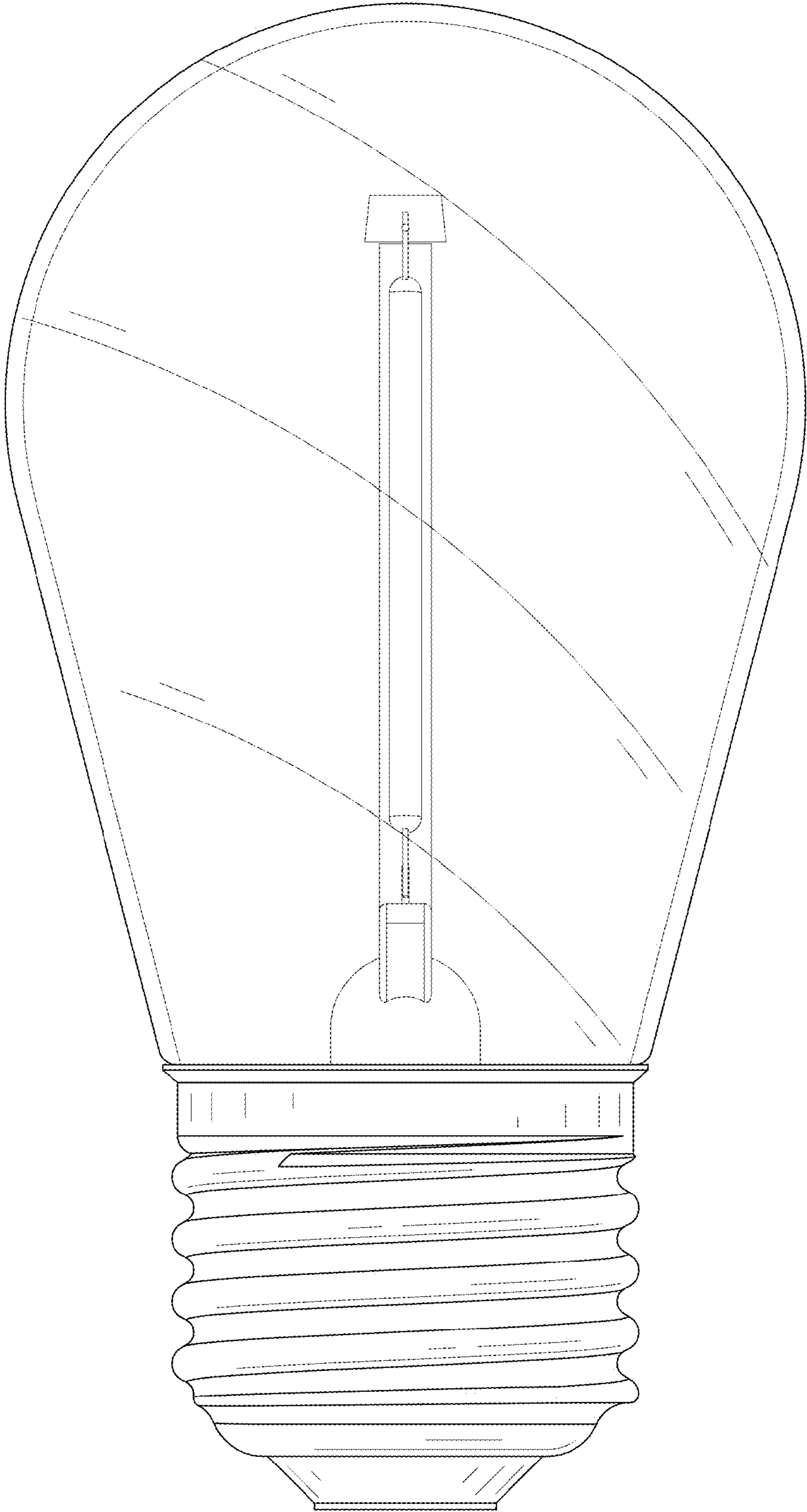


FIG. 21

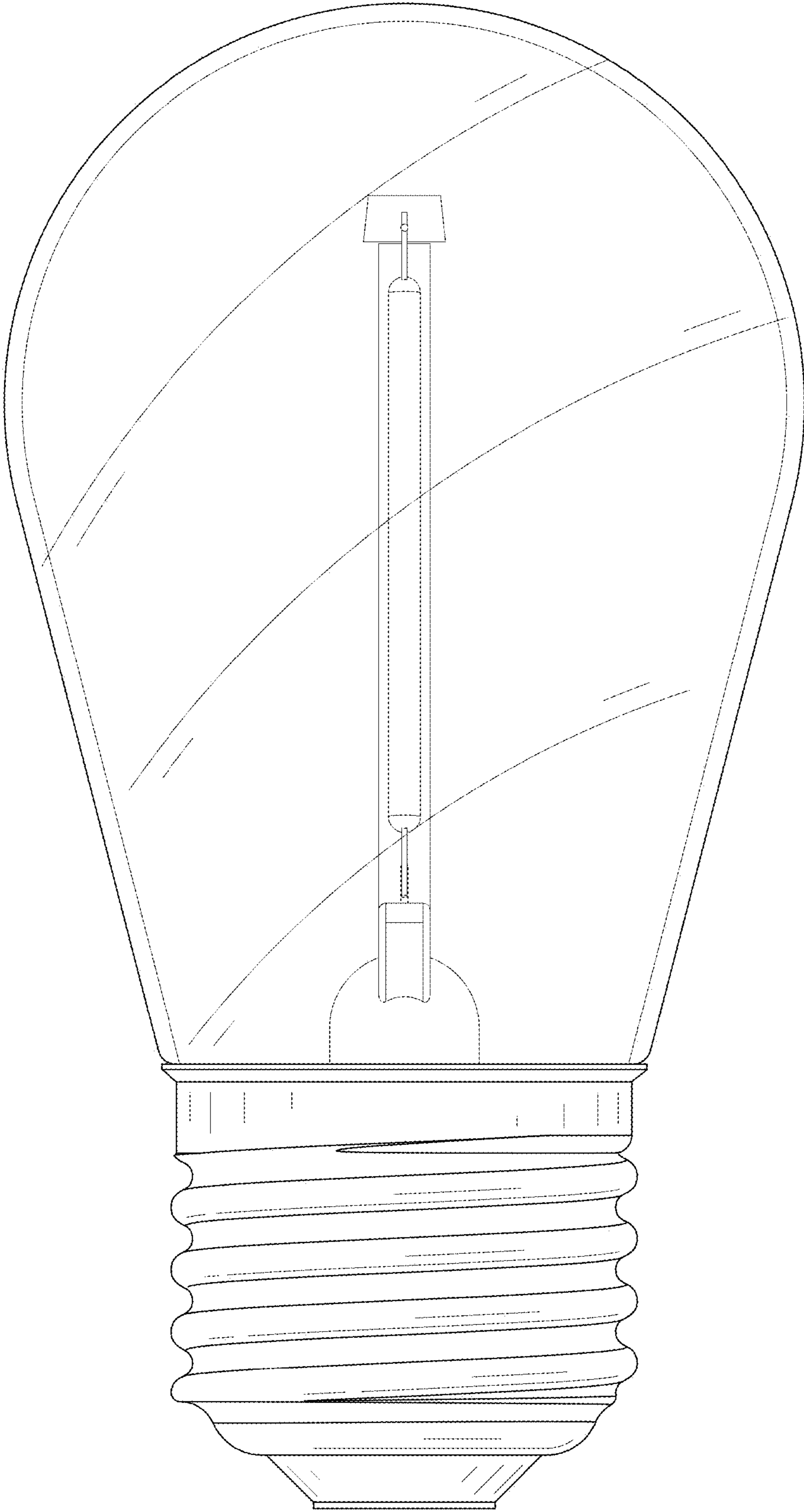


FIG. 22

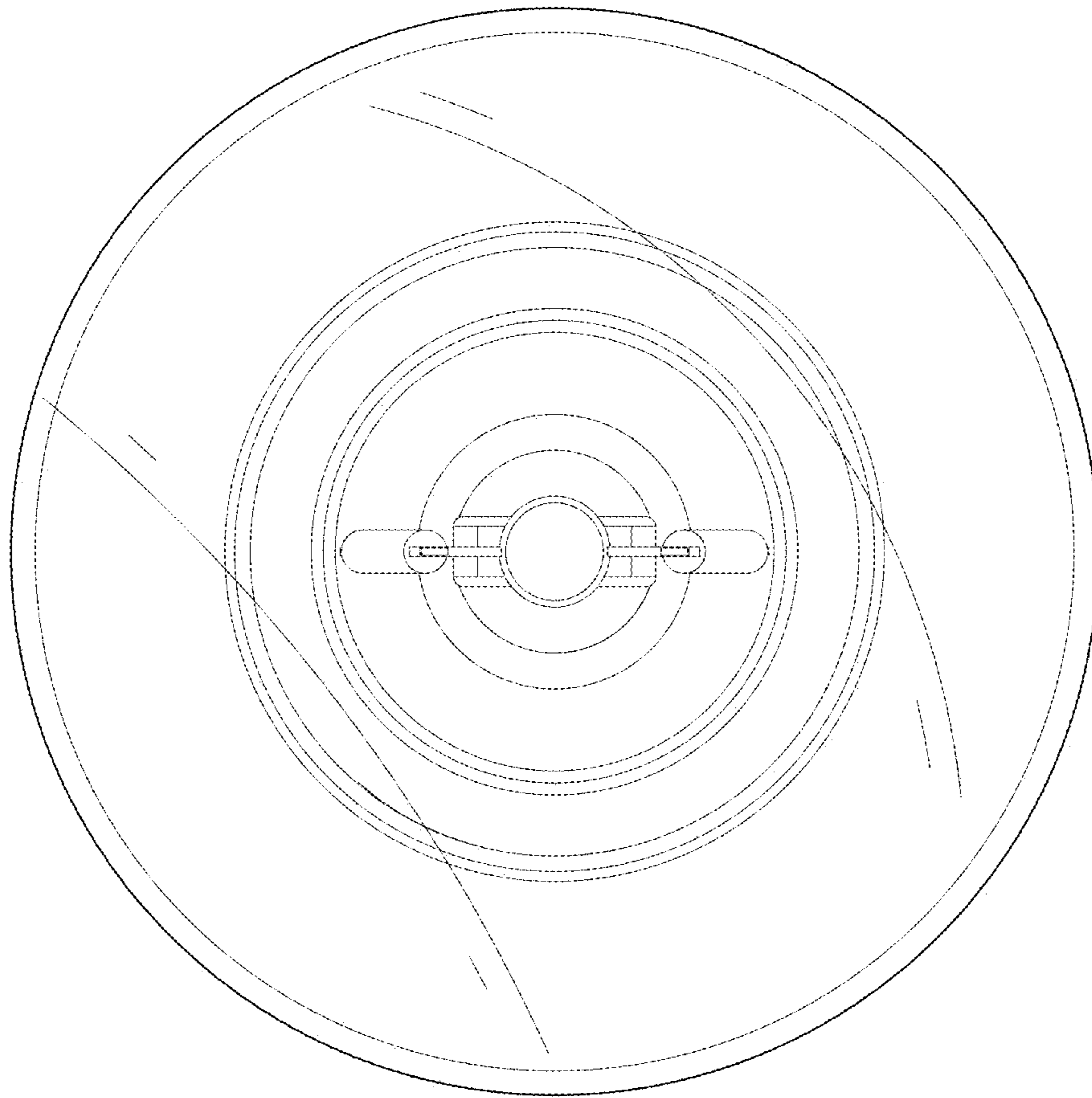


FIG. 23

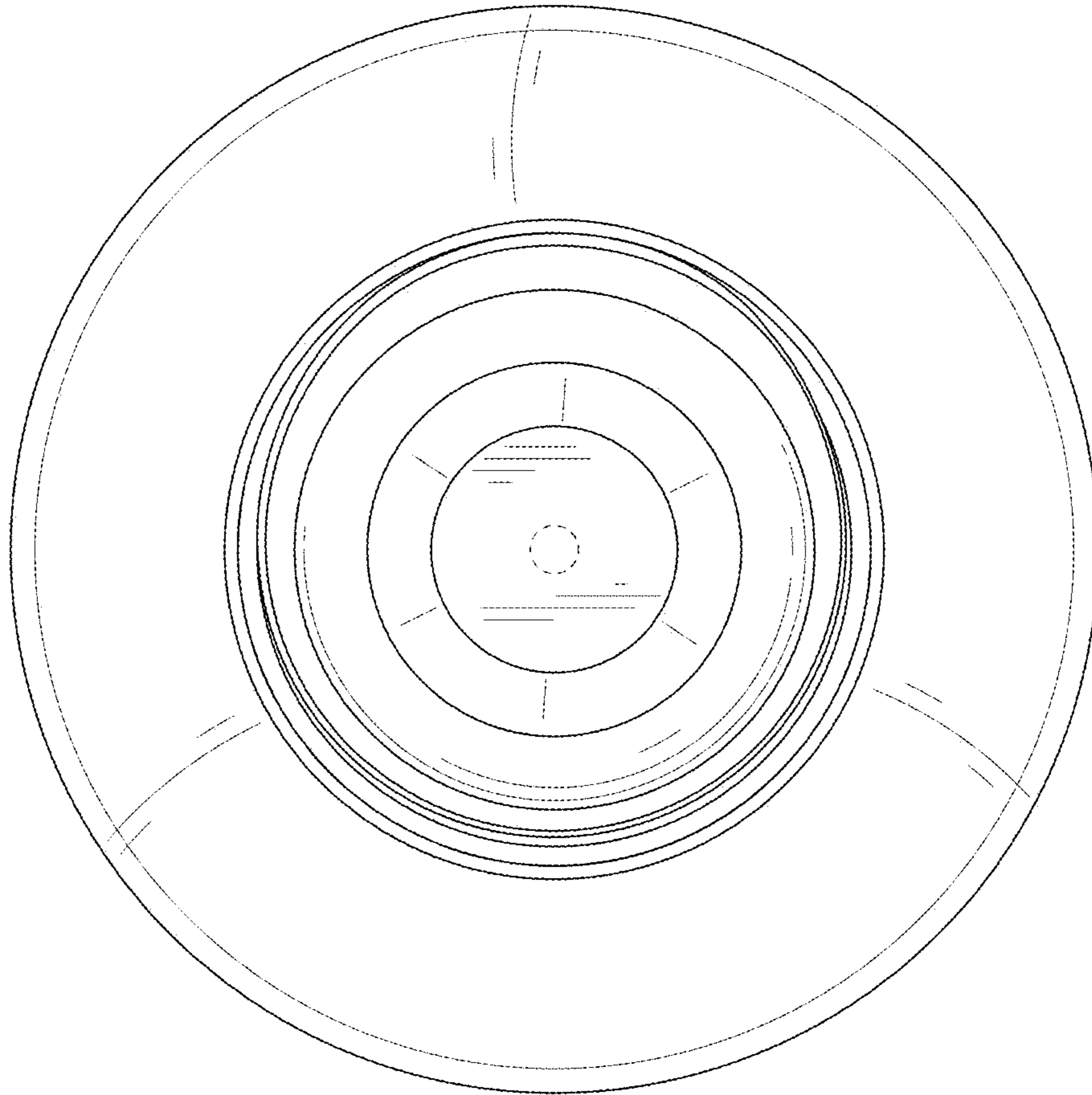


FIG. 24