



US00D988544S

(12) **United States Design Patent**  
**Yang**

(10) **Patent No.:** **US D988,544 S**  
(45) **Date of Patent:** **\*\* Jun. 6, 2023**

- (54) **GAP COVER**
- (71) Applicant: **Xiaobin Yang**, Shenzhen (CN)
- (72) Inventor: **Xiaobin Yang**, Shenzhen (CN)
- (\*\*) Term: **15 Years**
- (21) Appl. No.: **29/870,113**
- (22) Filed: **Jan. 17, 2023**
- (51) **LOC (14) Cl.** ..... **07-06**
- (52) **U.S. Cl.**  
USPC ..... **D7/407**
- (58) **Field of Classification Search**  
USPC ..... D7/406, 407; D25/119–123, 125, 136,  
D25/137, 164; D8/354, 377, 394, 395  
CPC ..... F24C 15/12; F24C 15/14  
See application file for complete search history.
- (56) **References Cited**

U.S. PATENT DOCUMENTS

- 2,778,032 A \* 1/1957 Meehan ..... E03C 1/33  
4/636
- 2,888,684 A \* 6/1959 Icenhower ..... E03C 1/33  
52/717.06
- 3,125,192 A \* 3/1964 Ramseur ..... E04B 1/6812  
52/468
- 3,446,201 A \* 5/1969 More ..... A47B 77/08  
126/39 R
- D364,234 S \* 11/1995 Caley ..... D25/119
- 5,678,380 A \* 10/1997 Azzar ..... A47B 95/043  
52/312
- 7,150,166 B2 \* 12/2006 Braun ..... D06F 39/12  
68/3 R

- D543,287 S \* 5/2007 Neuhofer, Jr. .... D25/135
- D621,076 S \* 8/2010 Vibiano ..... D25/164
- 8,196,931 B2 \* 6/2012 Burgess ..... F16J 15/061  
277/642
- 10,464,748 B2 \* 11/2019 Akerberg ..... A47B 77/022
- D902,684 S \* 11/2020 Barraco ..... B05B 12/24  
D8/71
- D964,801 S \* 9/2022 Yang ..... D7/406
- 2017/0299197 A1 \* 10/2017 Hubener ..... A47B 77/08
- 2018/0058703 A1 \* 3/2018 Pickett ..... A47B 95/00

FOREIGN PATENT DOCUMENTS

- CA 2877624 A1 7/2015
- CN 207213147 U 4/2018
- EM 3025617 A3 9/2016

\* cited by examiner

*Primary Examiner* — Llorellys Martinez

(74) *Attorney, Agent, or Firm* — RC Trademark Company

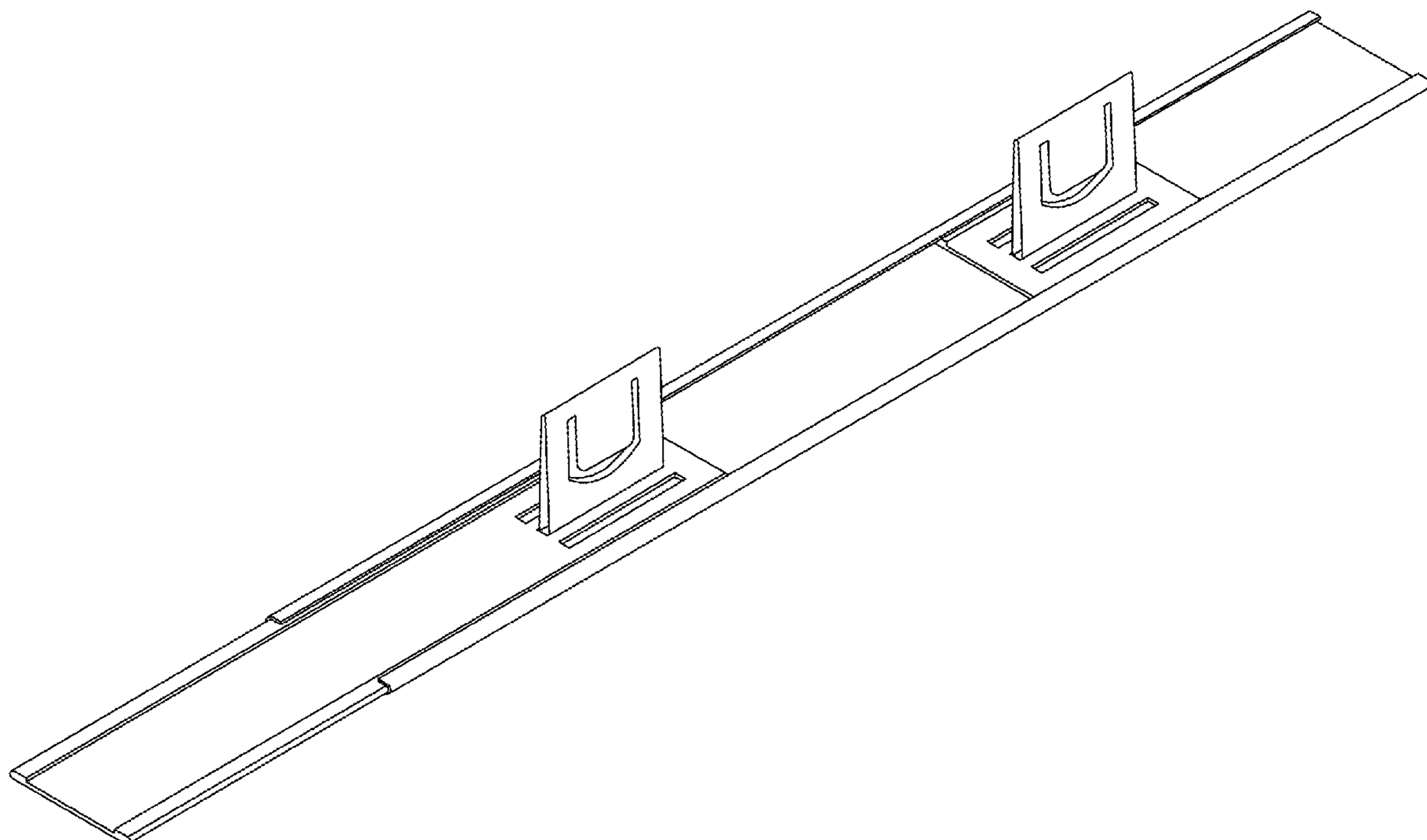
(57) **CLAIM**

The ornamental design for a gap cover as shown and described.

**DESCRIPTION**

FIG. 1 is a perspective view of a gap cover.  
 FIG. 2 is a right-side view of the gap cover of FIG. 1.  
 FIG. 3 is a left side view of the gap cover of FIG. 1.  
 FIG. 4 is a bottom view of the gap cover of FIG. 1.  
 FIG. 5 is a top view of the gap cover of FIG. 1.  
 FIG. 6 is a front view of the gap cover of FIG. 1.  
 FIG. 7 is a rear view of the gap cover of FIG. 1; and,  
 FIG. 8 is an exploded perspective view of the gap cover of FIG. 1.

**1 Claim, 8 Drawing Sheets**



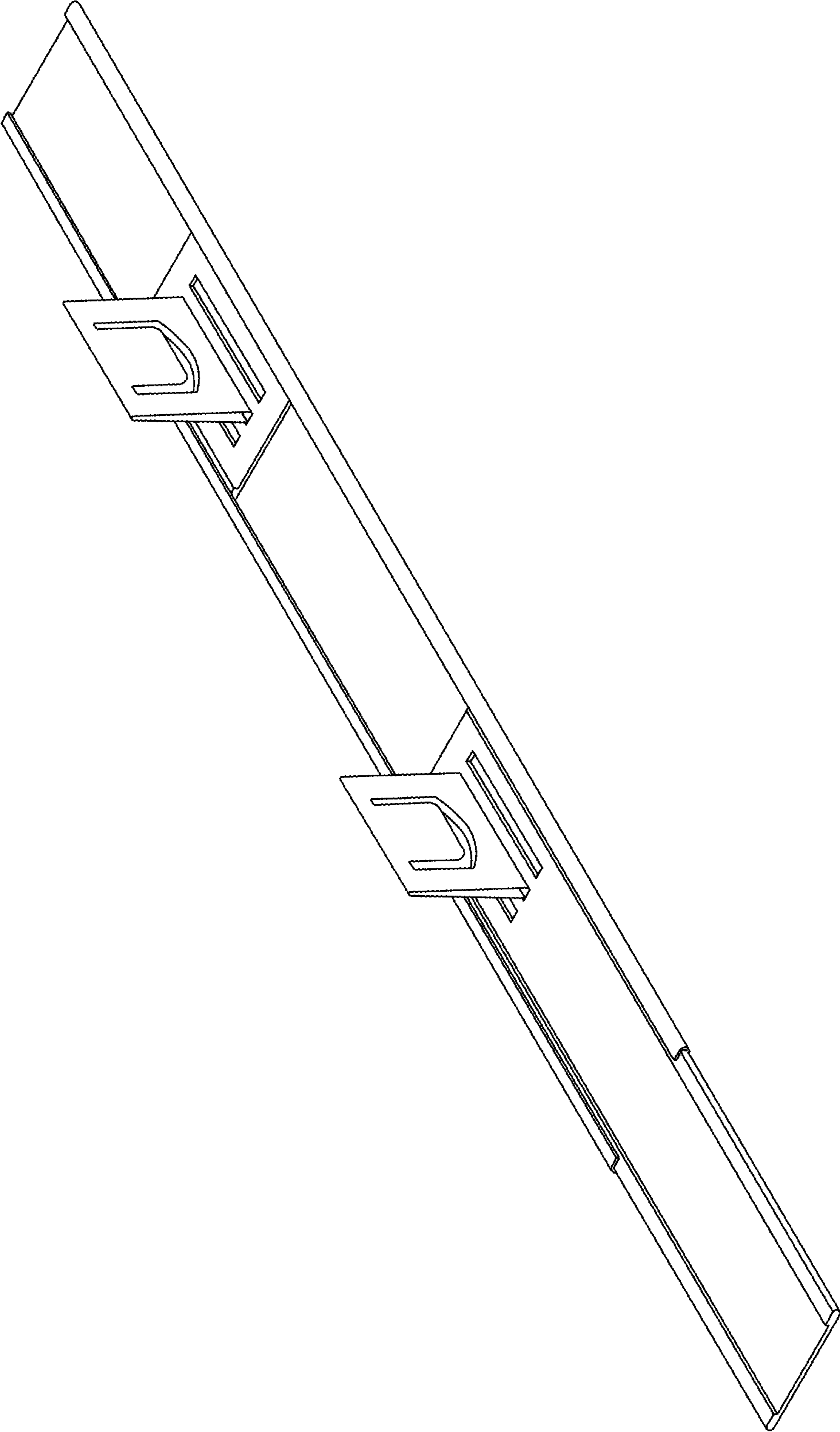


FIG. 1

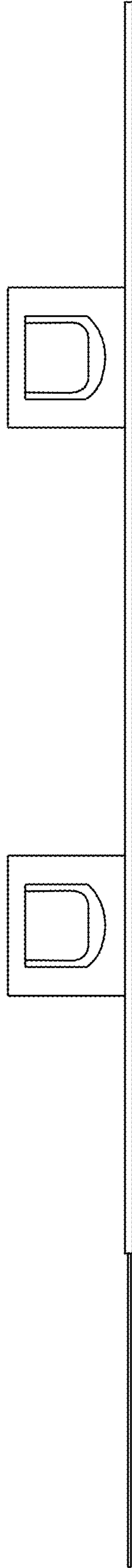


FIG. 2

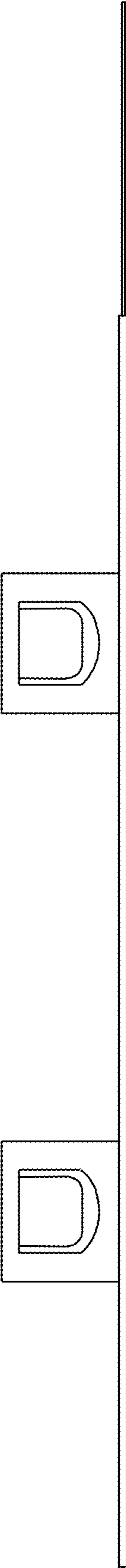


FIG. 3

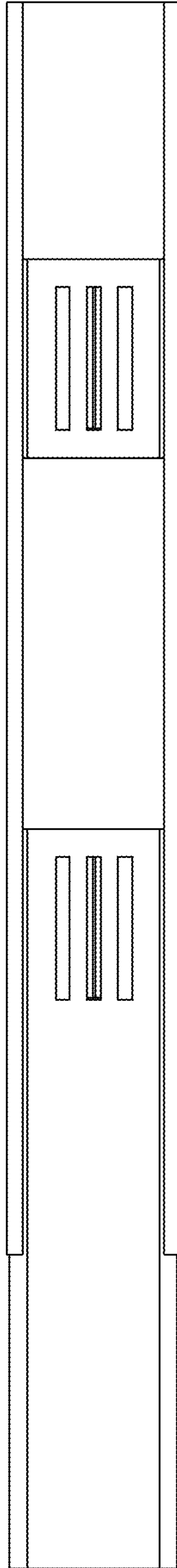


FIG. 4



FIG. 5

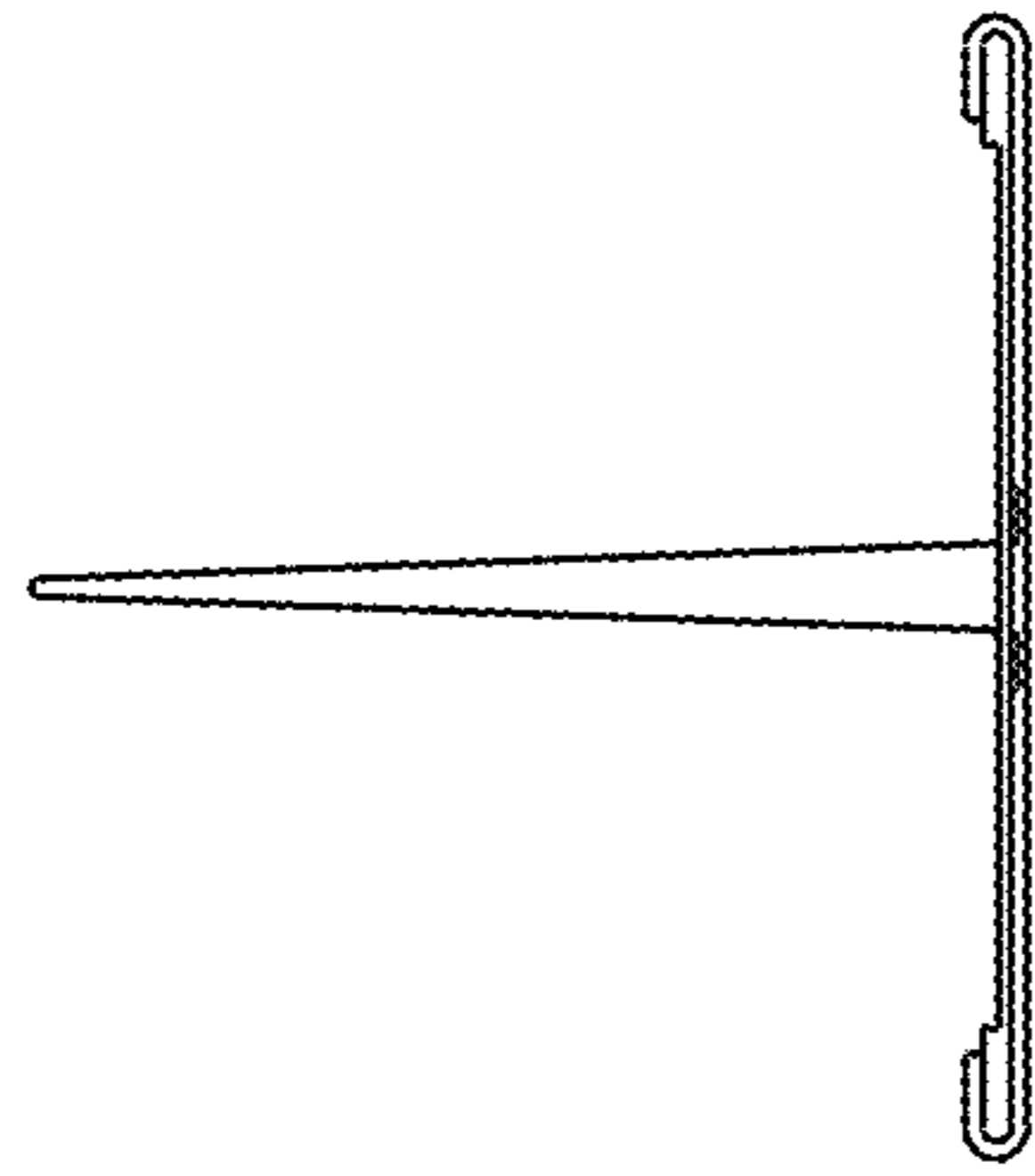


FIG. 6

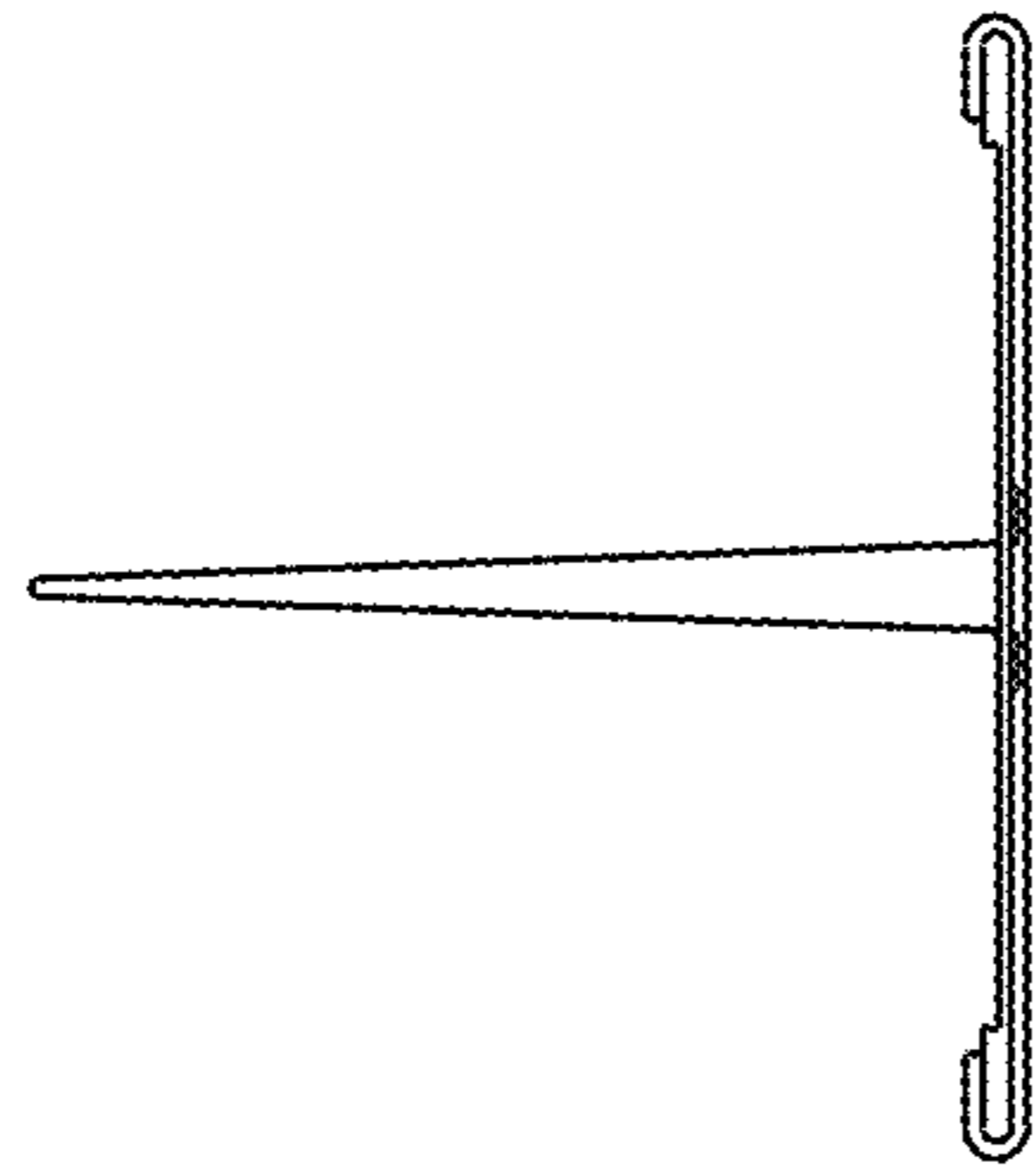


FIG. 7



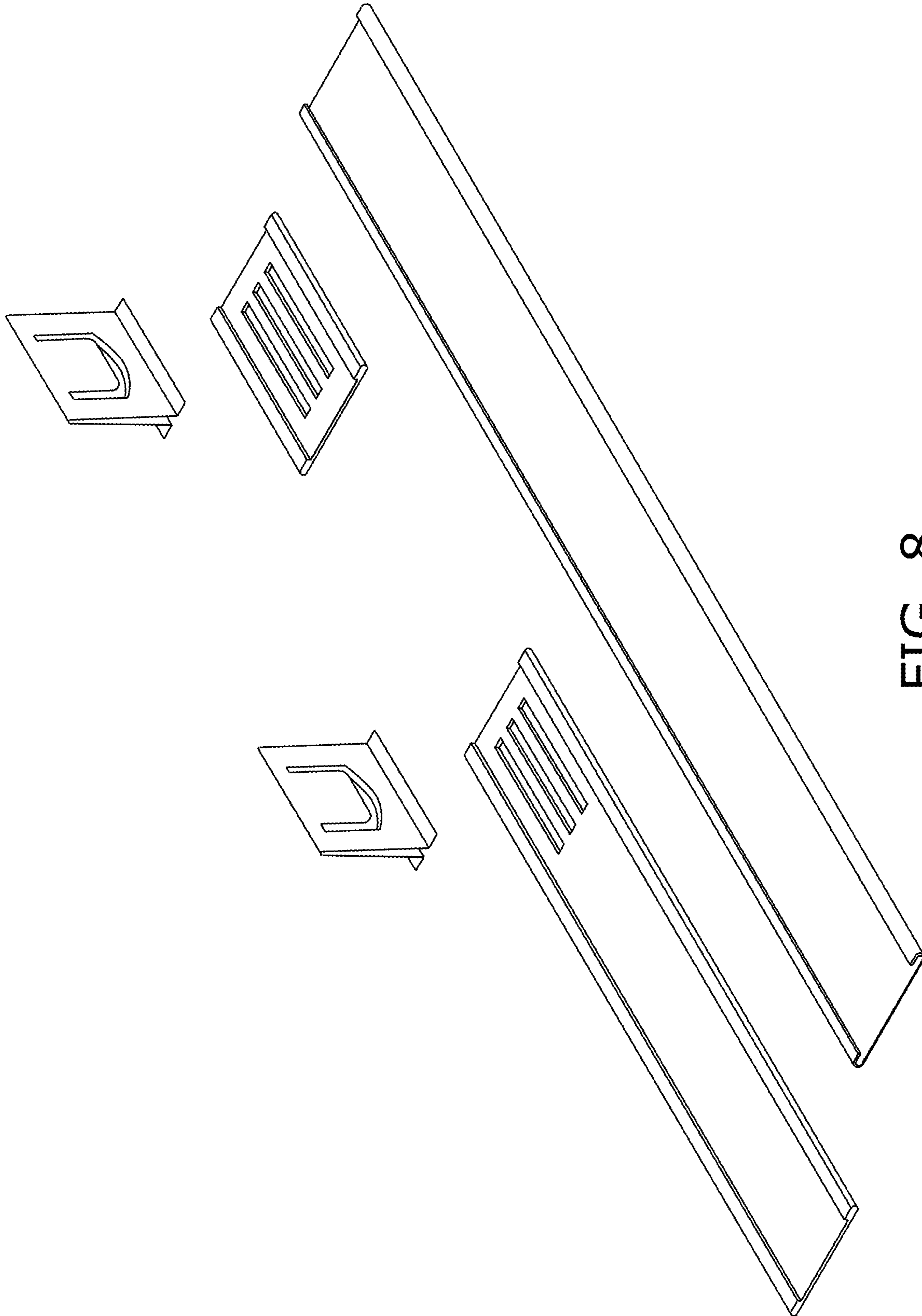


FIG. 8