



US00D988541S

(12) **United States Design Patent**
Pérez

(10) **Patent No.:** **US D988,541 S**
(45) **Date of Patent:** **** Jun. 6, 2023**

(54) **DRAFT EXCLUDER FOR DOORS AND WINDOWS**

(71) Applicant: **Daniel Cortavitarte Pérez**, Oviedo (ES)

(72) Inventor: **Daniel Cortavitarte Pérez**, Oviedo (ES)

(**) Term: **15 Years**

(21) Appl. No.: **35/511,865**

(22) Filed: **Oct. 2, 2020**

(80) **Hague Agreement Data**

Int. Filing Date: **Oct. 2, 2020**

Int. Reg. No.: **DM/214166**

Int. Reg. Date: **Oct. 2, 2020**

Int. Reg. Pub. Date: **May 21, 2021**

(51) **LOC (14) Cl.** **25-02**

(52) **U.S. Cl.**
USPC **D25/48.2**

(58) **Field of Classification Search**
USPC D25/48.2, 48.3, 60, 48.4
CPC E06B 7/16; E06B 7/18; E06B 7/2316
See application file for complete search history.

(56) **References Cited**

U.S. PATENT DOCUMENTS

- 317,630 A * 5/1885 Cramer E06B 7/2316
49/469
- 341,102 A * 5/1886 Hadesty E06B 7/18
49/320
- 598,381 A * 2/1898 March E06B 7/18
49/480.1
- 600,301 A * 3/1898 Barger E06B 7/2316
49/304
- D49,144 S * 6/1916 Hester D25/60
- D49,145 S * 6/1916 Hester D25/60
- D49,146 S * 6/1916 Hester D25/60

- 1,197,031 A * 9/1916 Kelly E06B 1/20
D25/60
- 1,481,580 A * 1/1924 Wright E06B 7/2316
49/436
- 1,936,641 A * 11/1933 Plym E06B 1/70
49/470
- 2,078,069 A * 4/1937 Eliel E04B 2/00
52/283
- 2,422,607 A * 6/1947 Wynne E06B 7/20
49/307
- 2,572,154 A * 10/1951 Howard E06B 7/2316
49/467
- 2,741,002 A * 4/1956 Ladson E06B 7/2316
49/311
- 2,851,744 A * 9/1958 Oehmig E06B 7/2309
D25/60

(Continued)

FOREIGN PATENT DOCUMENTS

- CH 595543 A5 * 2/1978
- GB 2181772 A * 4/1987 E06B 7/22

OTHER PUBLICATIONS

Machined_Profiles (available online) Retrieved from the internet Oct. 26, 2022 from URL: <http://www.abseals.com.au/wp-content/uploads/2015/07/AB-Seals-Machined-Profiles-150708.pdf>.*

(Continued)

Primary Examiner — Richard Kearney

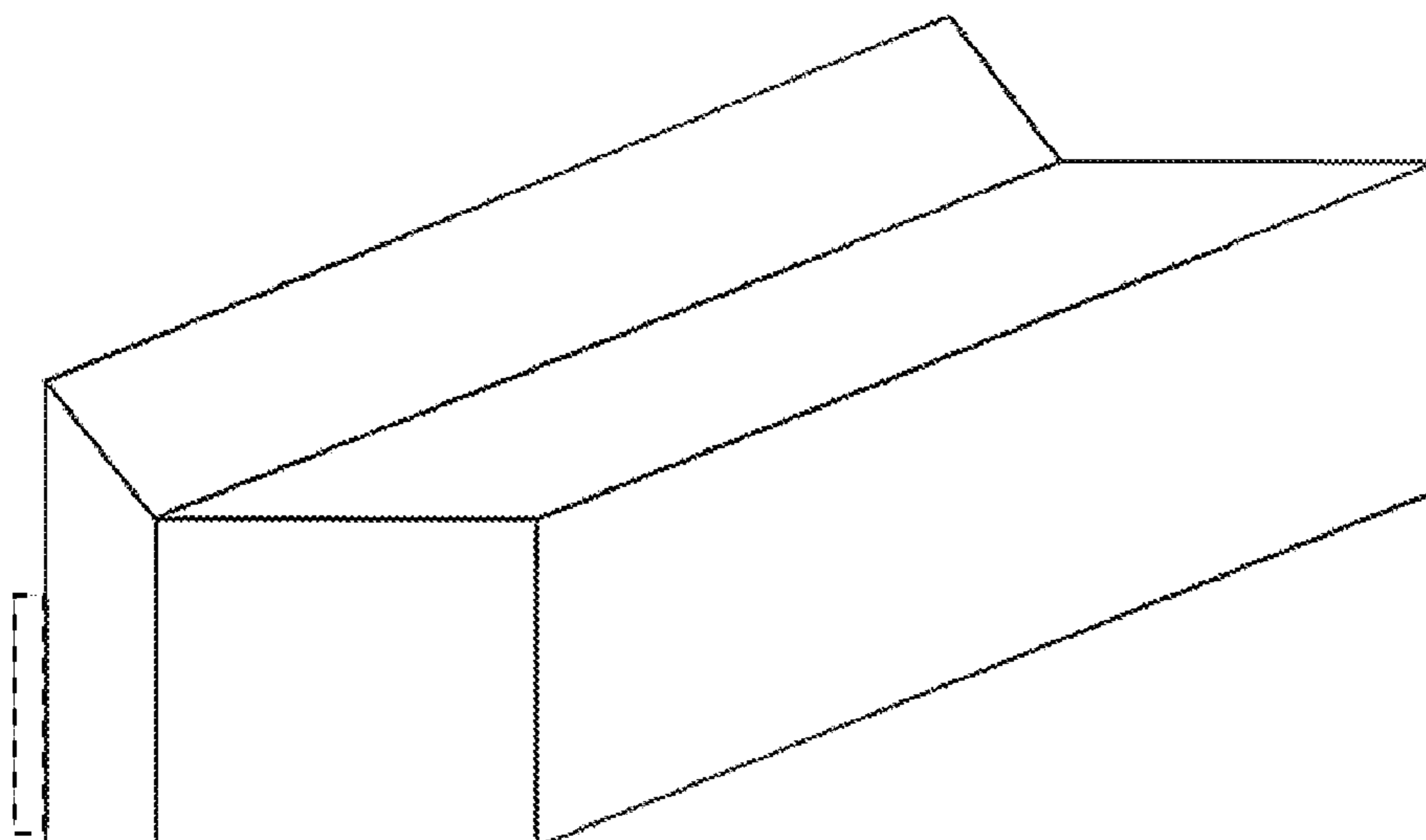
(57) **CLAIM**

The ornamental design for a draft excluder for doors and windows, as shown and described.

DESCRIPTION

FIG. 1 is a perspective view of the draft excluder for doors and windows claimed herein. Adhesive draft excluders for closing a hollow joint in doors or windows. The rectangular feature shown in broken lines illustrates a portion of the article and forms no part of the claimed design.

1 Claim, 1 Drawing Sheet



(56)

References Cited

U.S. PATENT DOCUMENTS

2,952,053 A * 9/1960 Frehse E06B 7/2309
49/489.1
D205,933 S * 10/1966 Macey D25/60
D220,757 S * 5/1971 Smith D25/60
4,413,446 A * 11/1983 Dittrich E06B 7/2314
49/470
4,765,094 A * 8/1988 Gemmell E06B 7/2316
49/58
D345,218 S * 3/1994 Haskins D25/60
D448,089 S * 9/2001 Fening D25/60
D452,014 S * 12/2001 Pittman D25/48.2
D465,579 S * 11/2002 Fening D25/60
D474,844 S * 5/2003 Babka D25/48.2
D486,248 S * 2/2004 Sudano D25/55
6,755,556 B2 * 6/2004 Gasquet F21S 43/315
362/337
D549,848 S * 8/2007 Takeuchi D25/119
D638,519 S * 5/2011 Ammons D25/60
D665,503 S * 8/2012 Dennewald D24/183
D665,513 S * 8/2012 Engel D25/113
D674,122 S * 1/2013 Sims D25/60
D680,654 S * 4/2013 Borreli D24/188
D692,593 S * 10/2013 Hanser D25/124
D697,640 S * 1/2014 Ksiezopolski D25/124
D725,796 S * 3/2015 Van Camp D25/60
D731,078 S * 6/2015 Frenette D25/119
D739,036 S * 9/2015 McAviney D25/119
9,187,906 B2 * 11/2015 Iyoda E04F 11/1808
D844,842 S * 4/2019 Wright D25/48.2
D872,891 S * 1/2020 Hawthorne D25/124

D872,906 S * 1/2020 Oetlinger D25/199
D901,718 S * 11/2020 Schoonover D25/48.2
D901,951 S * 11/2020 Chapuis D6/678
D905,294 S * 12/2020 Lanuza D25/164
D907,749 S * 1/2021 Wang D23/303
D951,484 S * 5/2022 Schoonover D25/48.2
D965,711 S * 10/2022 Speas D21/691
11,466,228 B1 * 10/2022 Preister C10M 147/00
2004/0028471 A1 * 2/2004 Smithdale E01C 11/223
404/44
2006/0174556 A1 * 8/2006 Kornfalt B27N 7/005
52/181
2011/0113696 A1 * 5/2011 Gallagher E06B 7/205
49/475.1
2011/0265388 A1 * 11/2011 Salgado E06B 7/2303
49/493.1
2012/0175065 A1 * 7/2012 Mayzum E06B 7/16
160/24
2020/0248500 A1 * 8/2020 O'Shea E06B 7/18
2022/0042371 A1 * 2/2022 Borovitz-Linda E06B 7/18

OTHER PUBLICATIONS

Stormguard_EPDM_Weatherstrip_P_Profile (available online) Retrieved from the internet Oct. 26, 2022 from URL: <https://www.toolstation.com/stormguard-epdm-weatherstrip-p-profile/p23386>.
ST-200-E_-Hercules_for_o-rings_hydraulic_seals (available online) Retrieved from the internet Oct. 26, 2022 from URL: <https://www.hercules.com/product.php?productcode=ST-200-E&pd=Y&pid=6297>.

* cited by examiner

