



US00D988539S

(12) **United States Design Patent**
Yang

(10) **Patent No.:** **US D988,539 S**
(45) **Date of Patent:** **** Jun. 6, 2023**

- (54) **PERGOLA**
- (71) Applicant: **Cheng-Hung Yang**, Taichung (TW)
- (72) Inventor: **Cheng-Hung Yang**, Taichung (TW)
- (**) Term: **15 Years**
- (21) Appl. No.: **29/809,615**
- (22) Filed: **Sep. 29, 2021**
- (51) **LOC (14) Cl.** **25-02**
- (52) **U.S. Cl.**
USPC **D25/56; D25/57**
- (58) **Field of Classification Search**
USPC D25/55-57; 52/74, 78; 135/87, 157;
160/19, 32, 38, 61, 130
CPC E04B 1/2604; E04B 2001/266; E04B
2103/04; E04H 1/1205
See application file for complete search history.

- D467,354 S * 12/2002 Panek D25/100
- D469,547 S * 1/2003 Panek D25/100
- D469,883 S * 2/2003 Panek D25/100
- D470,600 S * 2/2003 Cantley D25/100
- D533,381 S * 12/2006 Snell D6/536
- 8,074,339 B1 * 12/2011 Brandt E04C 2/421
29/527.1
- D651,722 S * 1/2012 Hendricks D25/100

(Continued)

Primary Examiner — T Chase Nelson
Assistant Examiner — Sydney Margaret Parsley
(74) *Attorney, Agent, or Firm* — WPAT, P.C.

(57) **CLAIM**

The ornamental design for a pergola, as shown and described.

DESCRIPTION

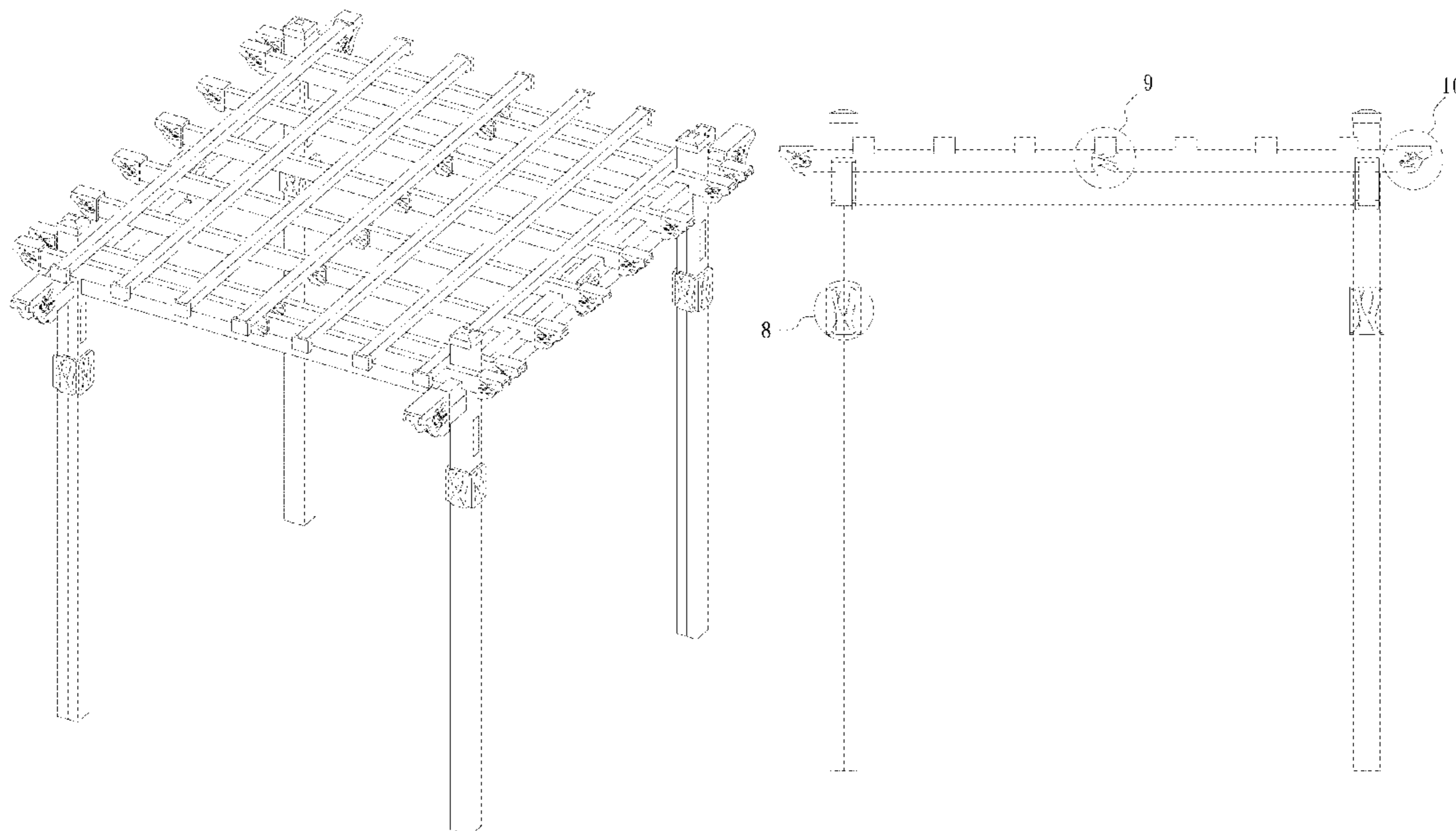
FIG. 1 is a perspective view of a pergola showing my new design;
FIG. 2 is a front elevational view thereof;
FIG. 3 is a rear elevational view thereof;
FIG. 4 is a left side elevational view thereof;
FIG. 5 is a right side elevational view thereof;
FIG. 6 is a top plan view thereof;
FIG. 7 is a bottom plan view thereof;
FIG. 8 is a partial enlarged view of label 8 from FIG. 2;
FIG. 9 is a partial enlarged view of label 9 from FIG. 2;
FIG. 10 is a partial enlarged view of label 10 from FIG. 2;
FIG. 11 is a partial enlarged view of label 11 from FIG. 4;
FIG. 12 is a partial enlarged view of label 12 from FIG. 4;
and,
FIG. 13 is a partial enlarged view of label 13 from FIG. 4.
The broken lines in FIGS. 2, 4, and 8 through 13 identify the locations and boundaries of the areas of enlargement for the partial enlarged views, and form no part of the claimed design.

(56) **References Cited**

U.S. PATENT DOCUMENTS

- 4,706,430 A * 11/1987 Sugita E04C 5/07
428/110
- D293,934 S * 1/1988 Lambert D25/56
- 5,263,288 A * 11/1993 Yang E04H 6/025
52/489.1
- D357,073 S * 4/1995 Reum D25/100
- D366,532 S * 1/1996 Herbst D25/100
- 5,555,692 A * 9/1996 Griffith E04C 2/426
52/662
- D402,381 S * 12/1998 Gruda D25/100
- D423,687 S * 4/2000 Cantley D25/100
- D441,095 S * 4/2001 Schwartz D25/100
- D441,097 S * 4/2001 Schwartz D25/100
- 6,345,483 B1 * 2/2002 Clark E04C 5/07
428/113
- D454,211 S * 3/2002 Jones D25/100
- 6,470,643 B1 * 10/2002 Cantley E04H 17/16
52/311.1

1 Claim, 13 Drawing Sheets



(56)

References Cited

U.S. PATENT DOCUMENTS

D744,116	S *	11/2015	Gervais	D25/100
9,469,998	B1 *	10/2016	Guevara	E04F 13/045
D777,943	S *	1/2017	Kilian	D25/58
D777,944	S *	1/2017	Kilian	E04C 5/07
					D25/58
D777,945	S *	1/2017	Kilian	D25/58
9,624,689	B2 *	4/2017	Bailey	E04H 15/644
D788,940	S *	6/2017	Lavery	D25/56
D788,942	S *	6/2017	Lavery	D25/57
D863,597	S *	10/2019	Li	E04C 2/426
					D25/56
D914,240	S *	3/2021	Pan	D25/56
D919,123	S *	5/2021	de Alborán Peralta	D25/56
D972,749	S *	12/2022	Flynn	E04B 1/30
2011/0197536	A1 *	8/2011	Clark	E04F 10/08
					52/650.1
2015/0284952	A1 *	10/2015	Hilliaho	E04B 1/0046
					52/704
2016/0010321	A1 *	1/2016	Lavery	E04H 1/1205
					52/656.9
2020/0115908	A1 *	4/2020	Lavery	E04H 1/1205
2021/0076574	A1 *	3/2021	Reiger	B65D 25/14
2021/0254326	A1 *	8/2021	Yang	E04B 1/30

* cited by examiner

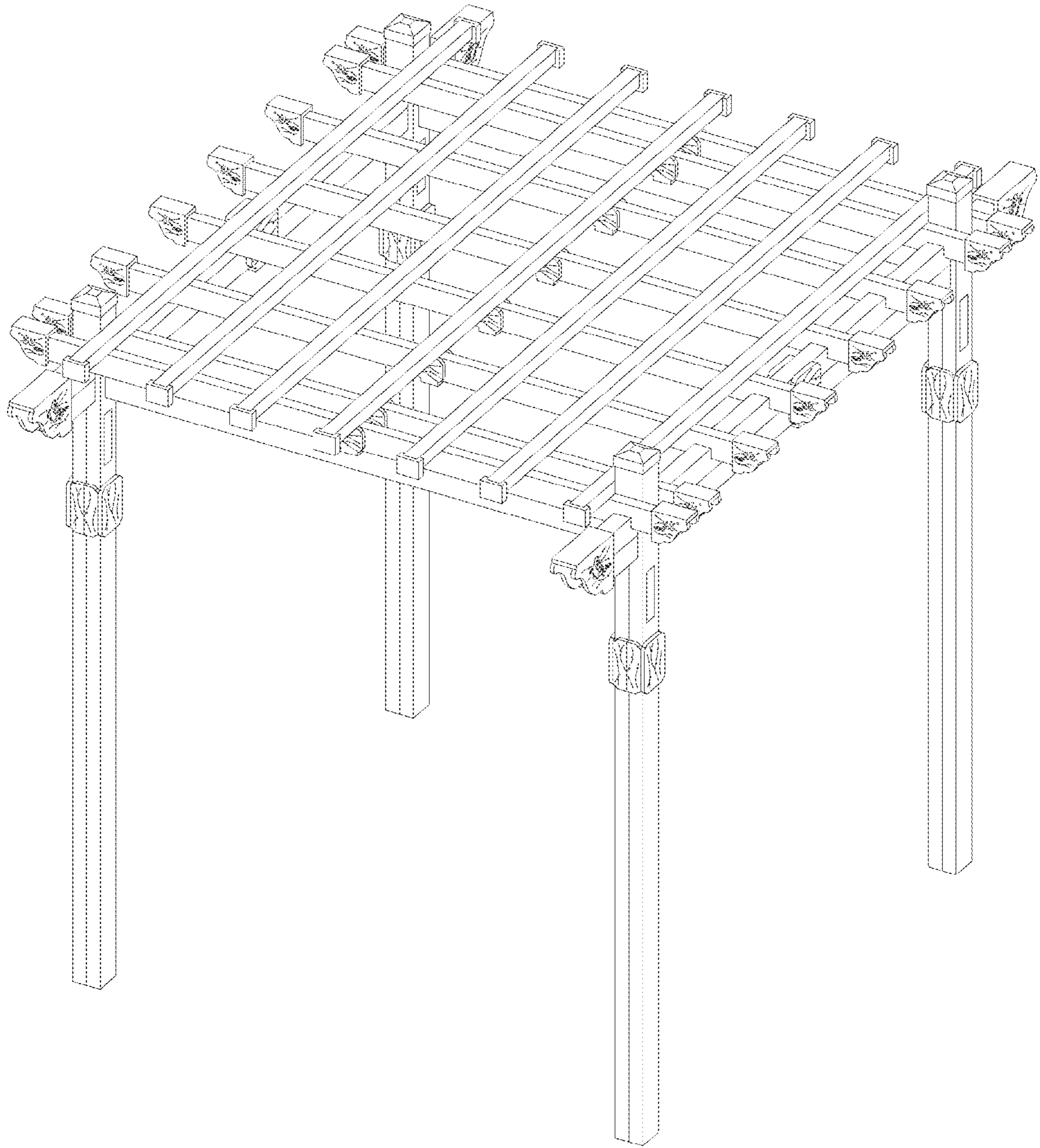


FIG. 1

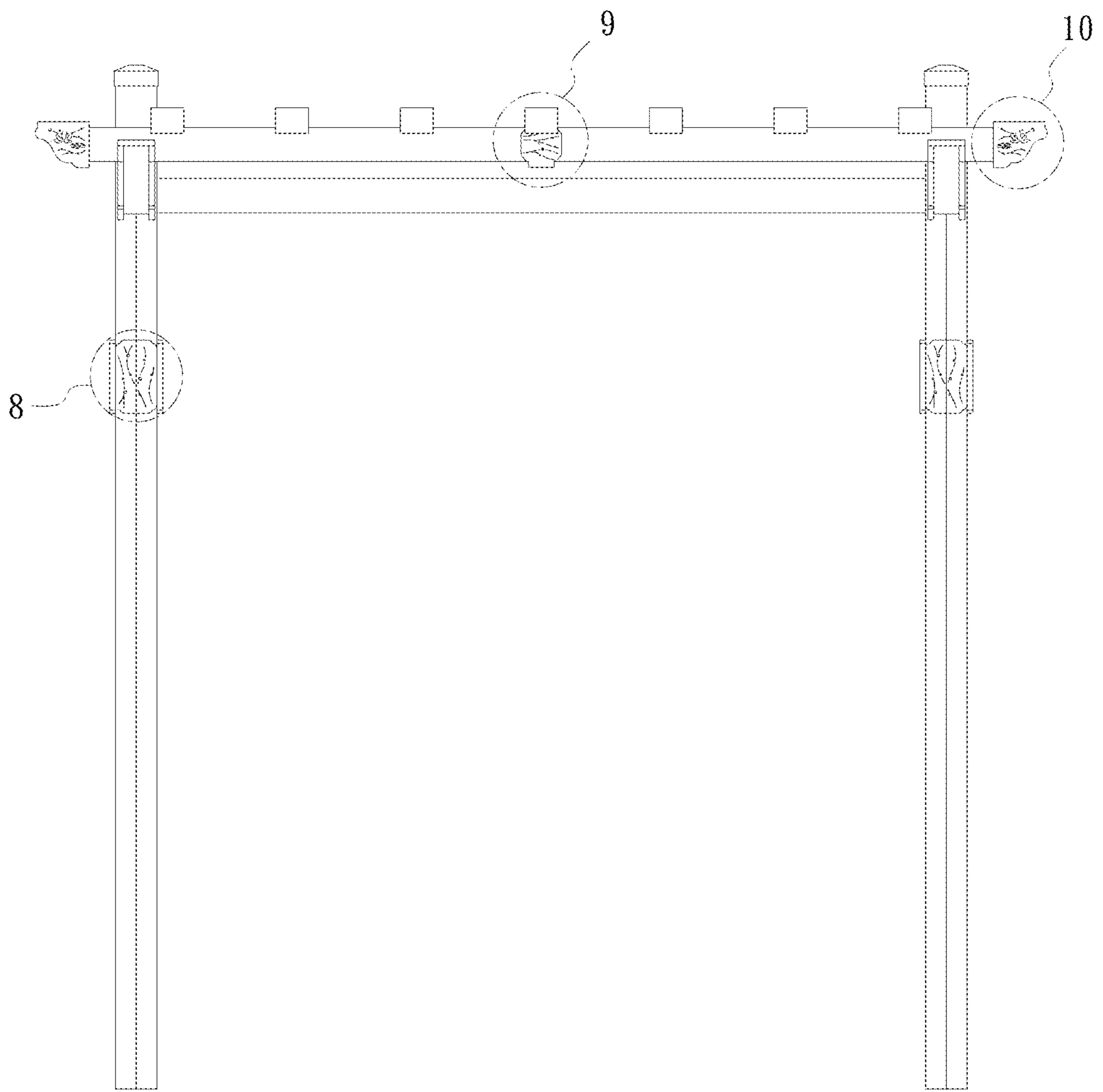


FIG. 2

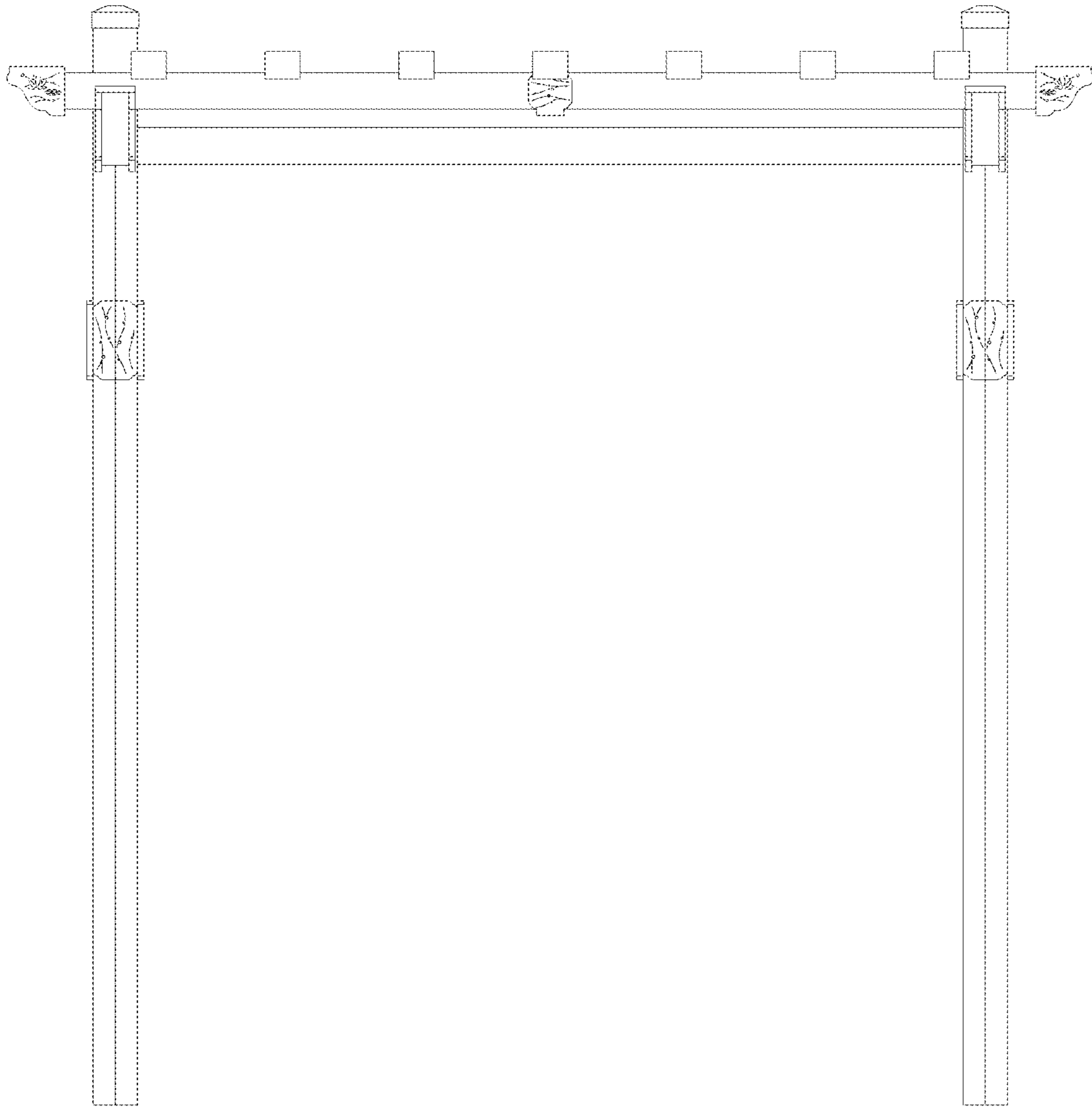


FIG. 3

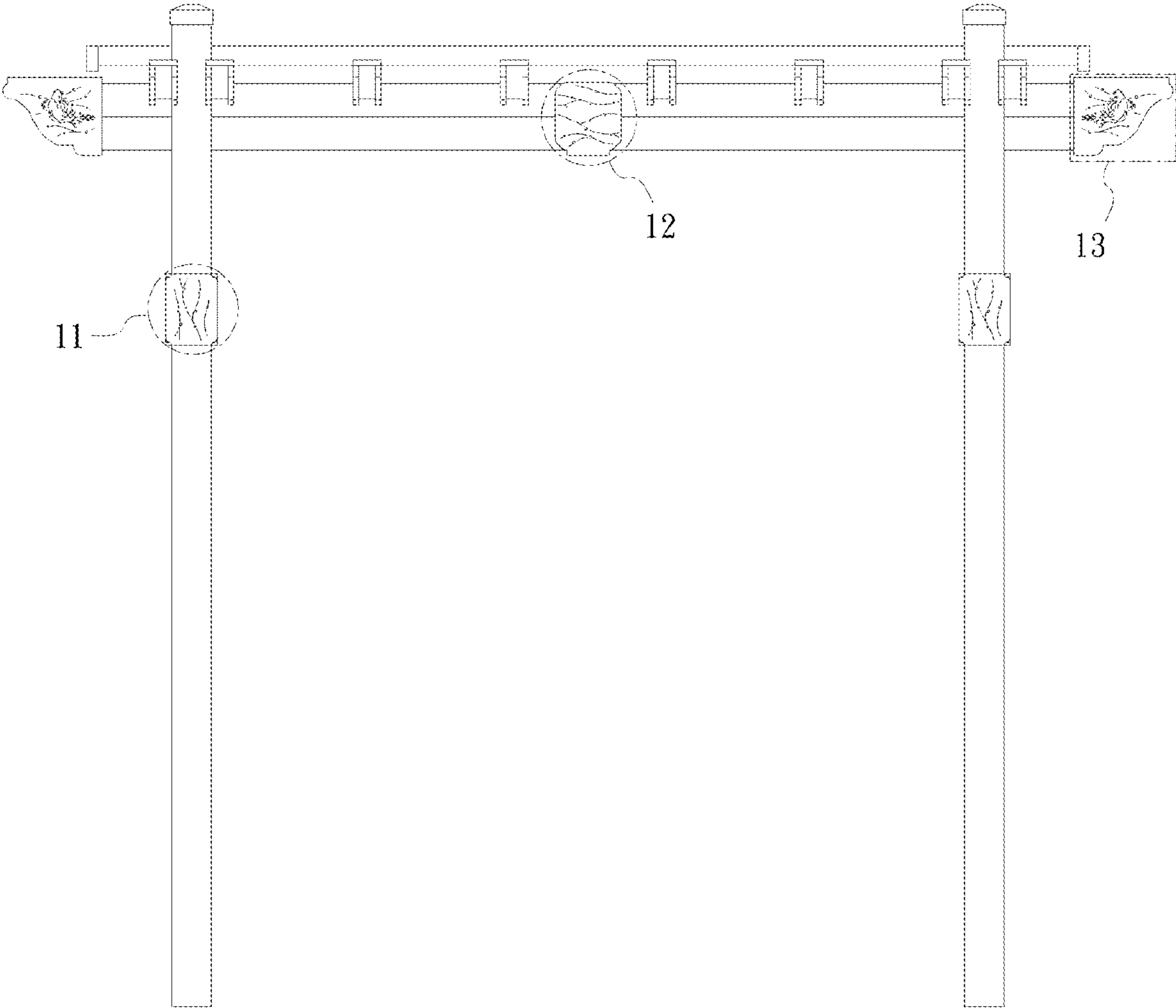


FIG. 4

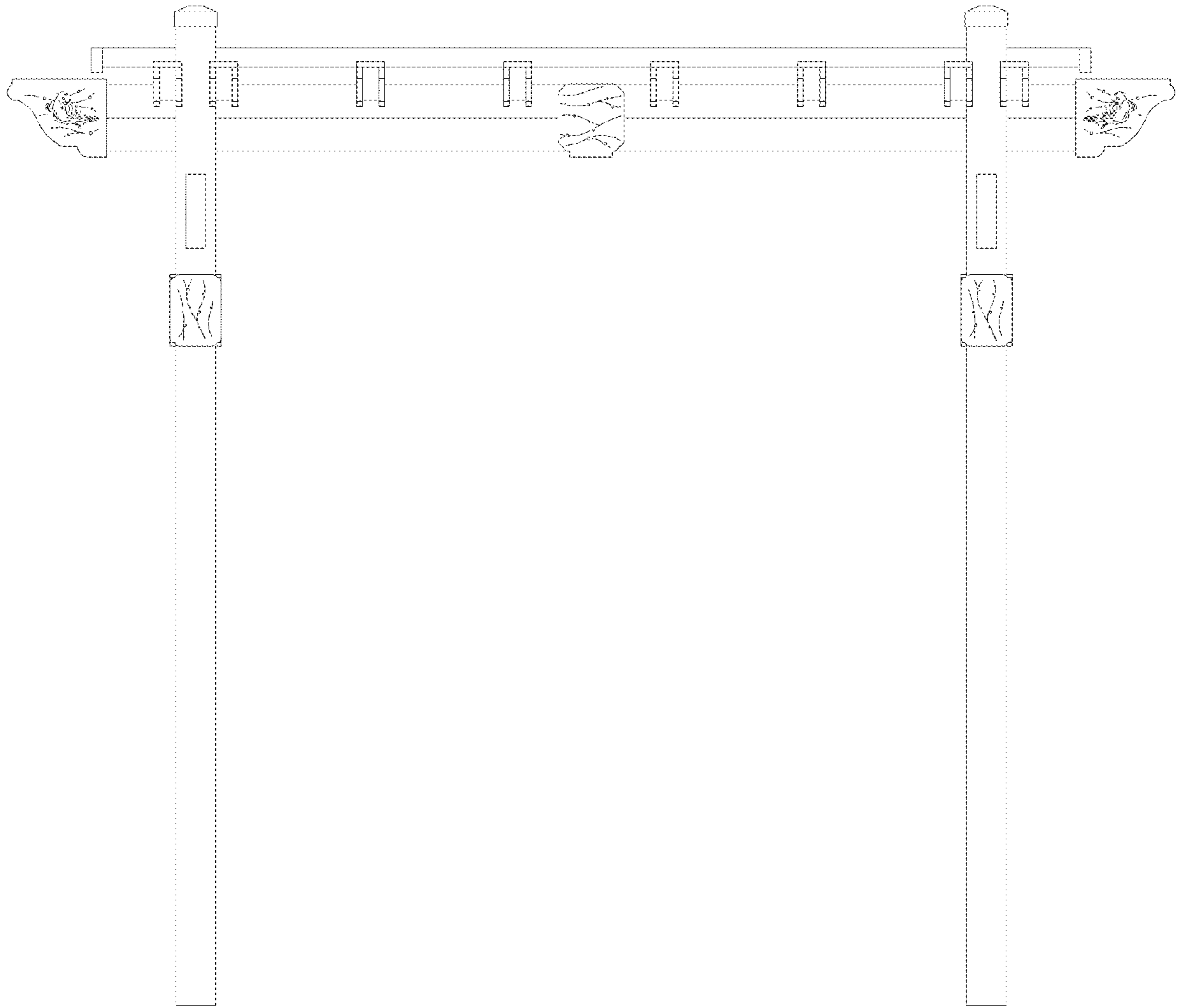


FIG. 5

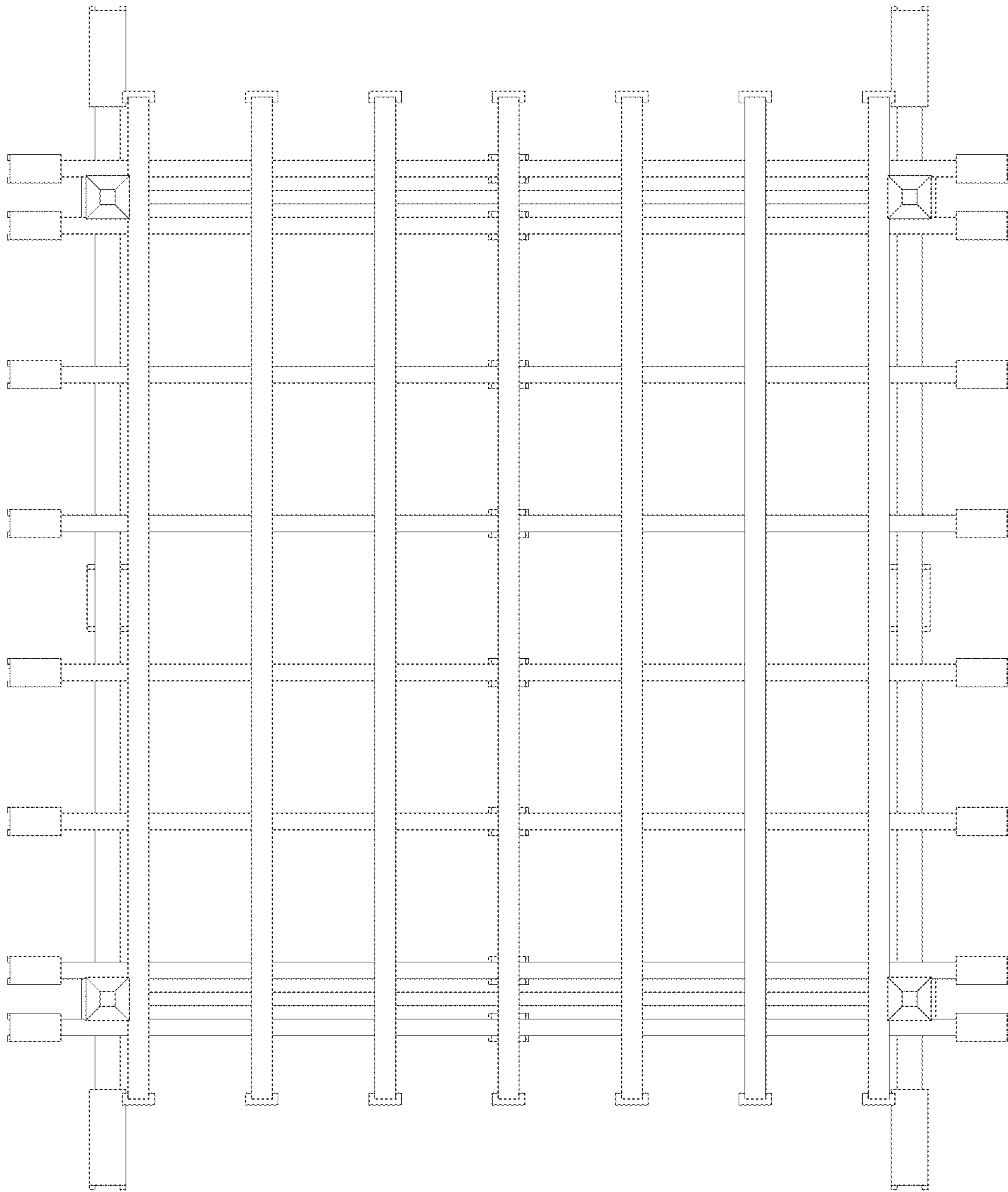


FIG. 6

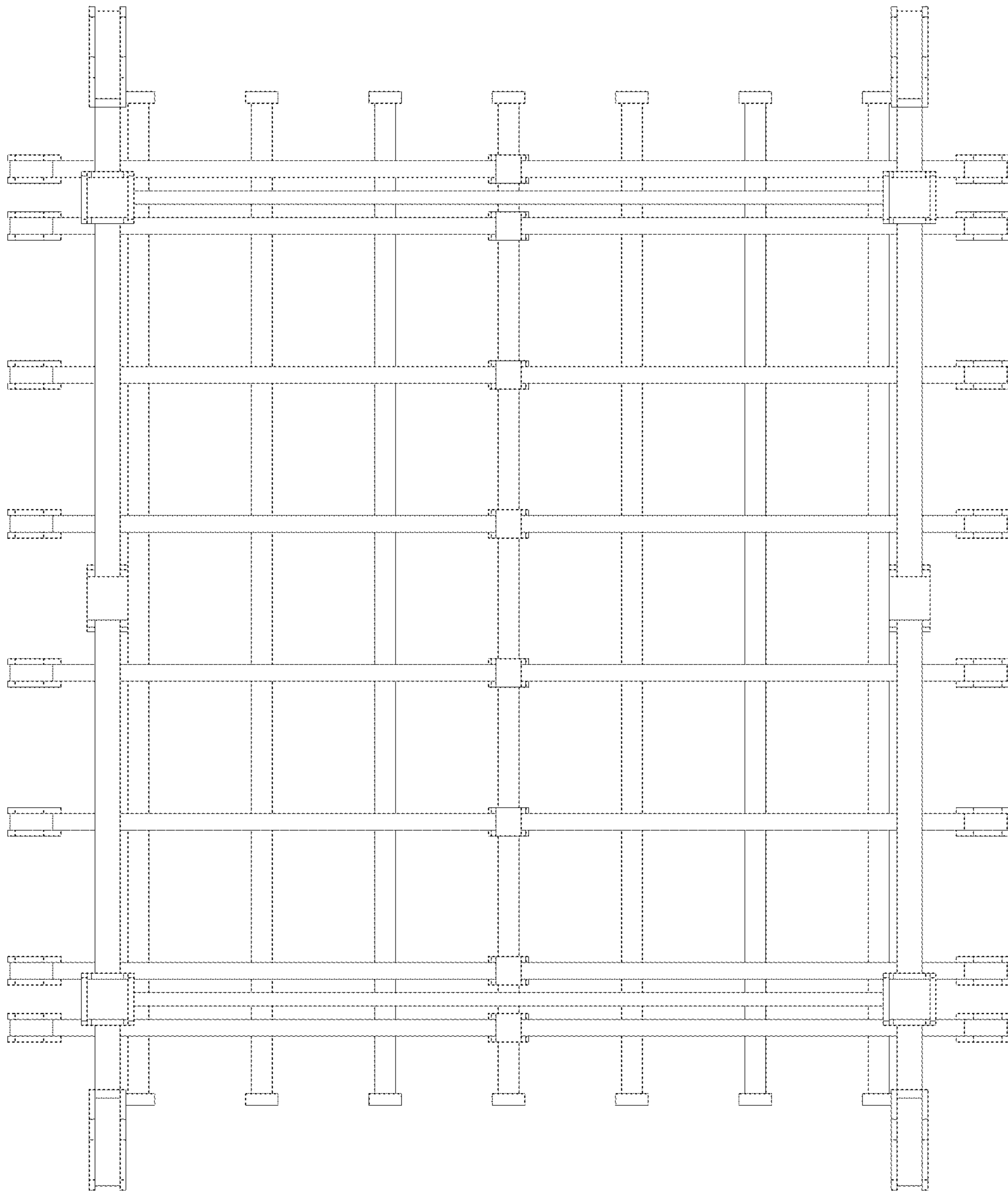


FIG. 7

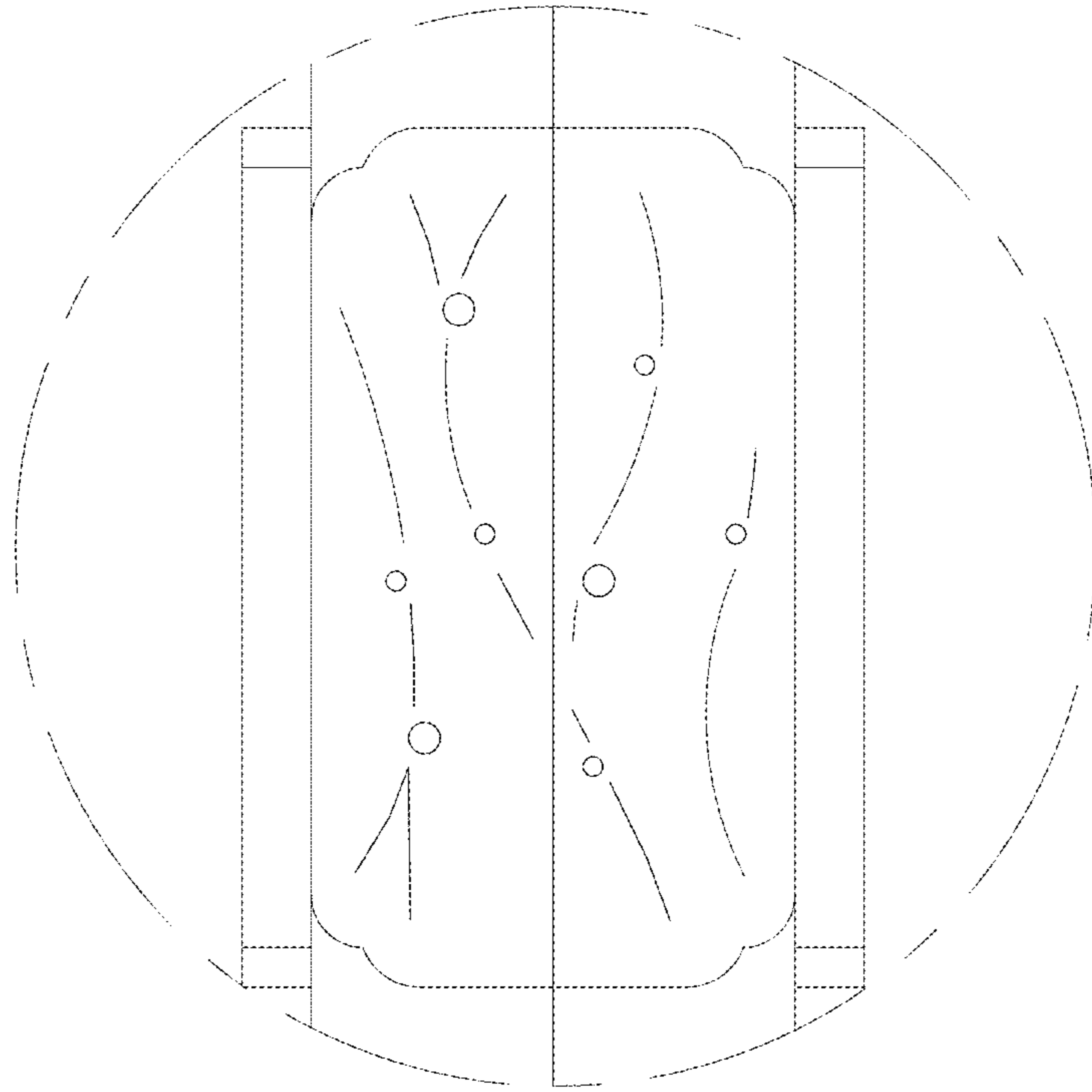


FIG. 8

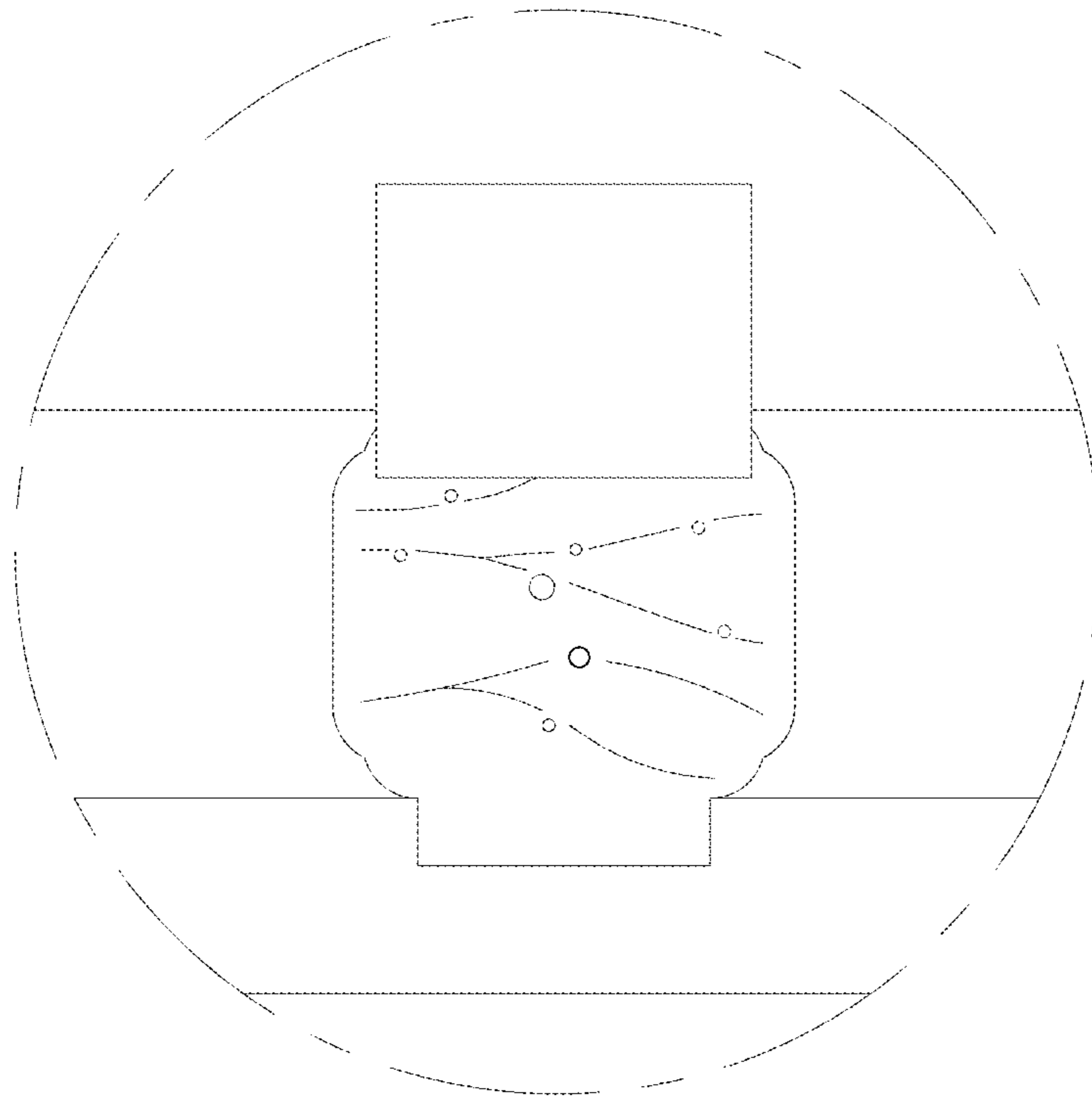


FIG. 9



FIG. 10

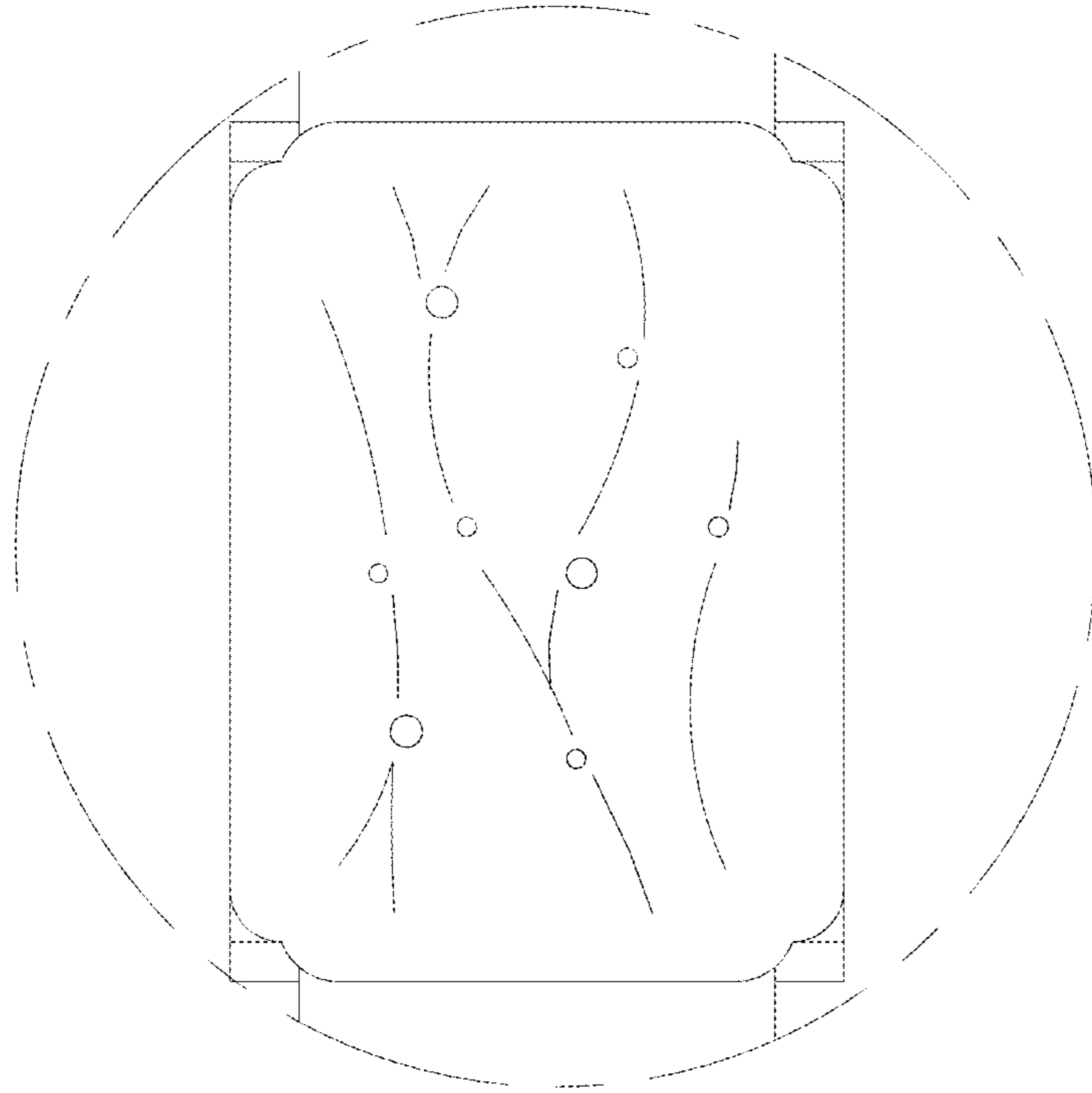


FIG. 11

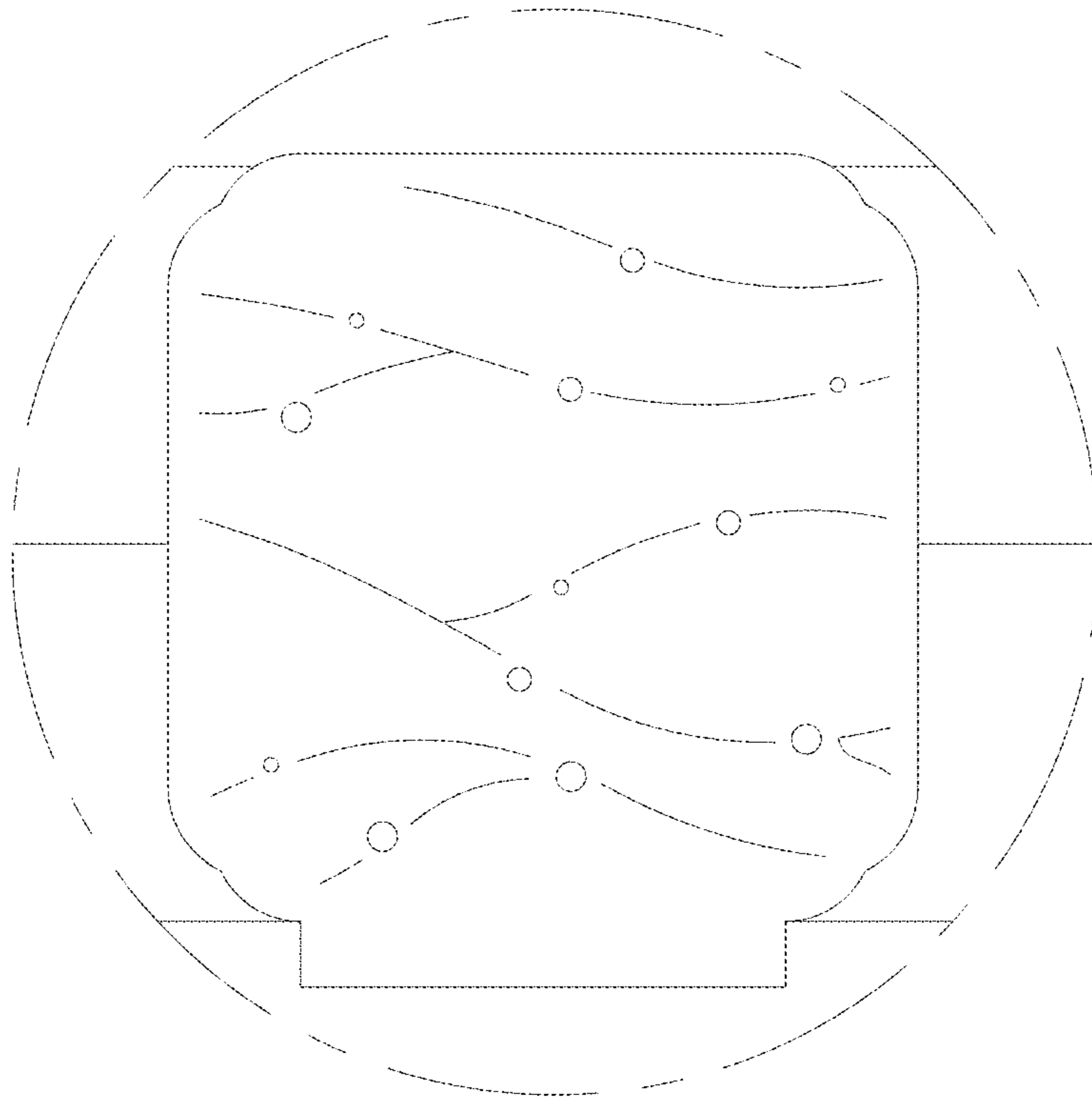


FIG. 12

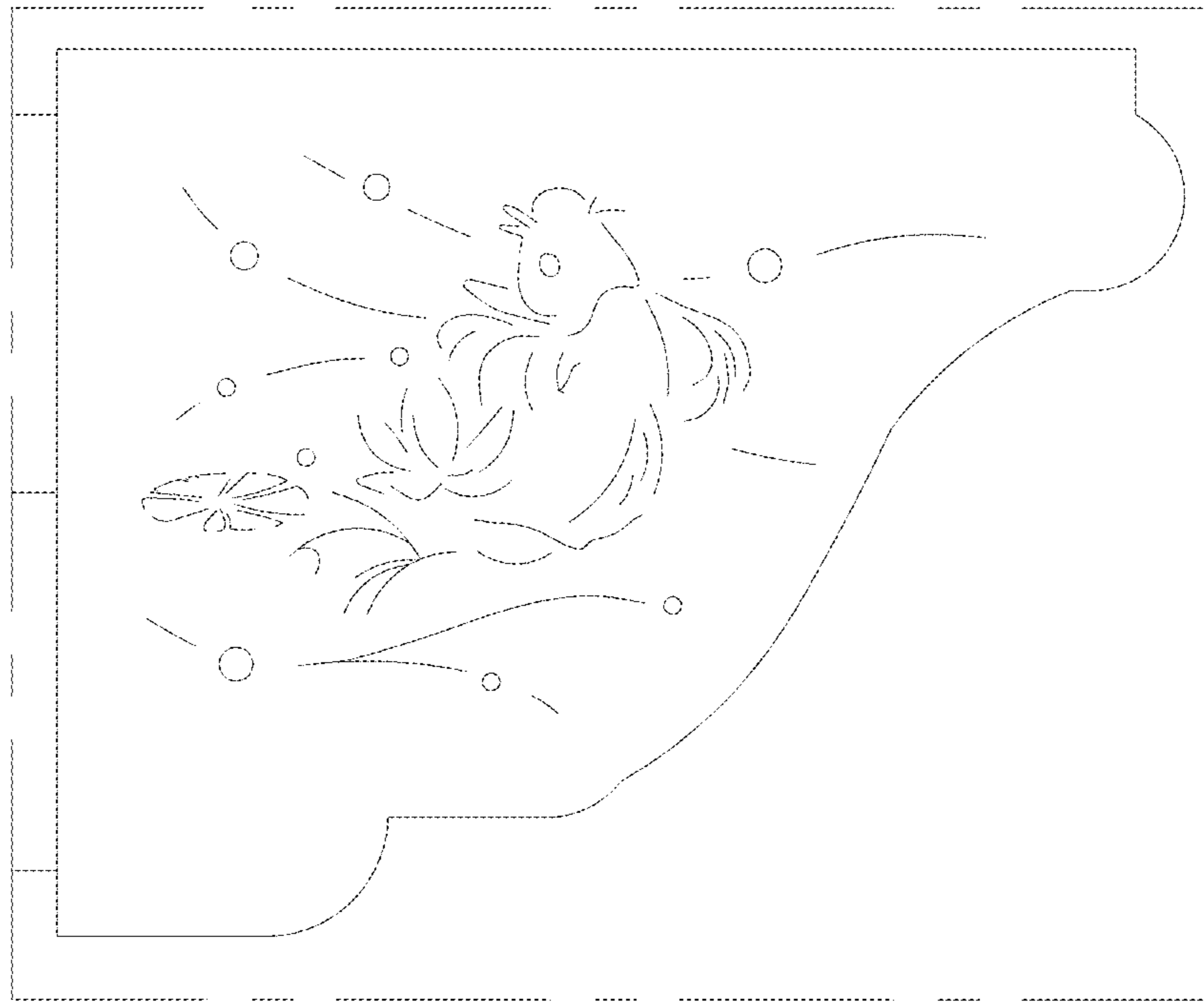


FIG. 13