



US00D988538S

(12) **United States Design Patent** (10) **Patent No.:** **US D988,538 S**  
**Divekar et al.** (45) **Date of Patent:** **\*\* Jun. 6, 2023**

(54) **TISSUE PROCESSING BAG**  
(71) Applicant: **Global Life Sciences Solutions Operations UK Ltd, Sheffield (GB)**  
(72) Inventors: **Devina Divekar, Cambridge (GB); Thiyaga Rajan, Karnataka (IN)**  
(73) Assignee: **Global Life Sciences Solutions Operations UK Ltd, Sheffield (GB)**

D490,302 S \* 5/2004 Nakatani ..... D9/711  
D584,911 S \* 1/2009 Hisey ..... D6/601  
D604,637 S \* 11/2009 Ueda ..... D9/708  
D657,832 S \* 4/2012 Beber ..... D21/683  
D720,469 S \* 12/2014 Green ..... D24/224  
D761,664 S \* 7/2016 Rodriguez ..... D9/732

(Continued)

**FOREIGN PATENT DOCUMENTS**

GB 6104900 \* 10/2020

**OTHER PUBLICATIONS**

Gmp—CellGenix Technologie Transfer GmbH Dendritic Cell Cell Culture Hematopoietic Stem Cell Good Manufacturing Practice PNG. Online, published date Sep. 1, 2018. Retrieved on Aug. 19, 2022 from URL: [https://favpng.com/png\\_view/gmp-cellgenix-technologie-transfer-gmbh-dendritic-cell-cell-culture-hematopoietic-stem-cell](https://favpng.com/png_view/gmp-cellgenix-technologie-transfer-gmbh-dendritic-cell-cell-culture-hematopoietic-stem-cell).\*

*Primary Examiner* — Omeed Agilee

(74) *Attorney, Agent, or Firm* — Eversheds Sutherland (US) LLP

(\*\*) Term: **15 Years**  
(21) Appl. No.: **29/778,672**  
(22) Filed: **Apr. 14, 2021**  
(30) **Foreign Application Priority Data**  
Oct. 27, 2020 (GB) ..... 6104891  
(51) **LOC (14) Cl.** ..... **24-02**  
(52) **U.S. Cl.**  
USPC ..... **D24/226; D24/118**  
(58) **Field of Classification Search**  
USPC ..... D24/107, 108, 110, 111–115, 122, 133, D24/152, 186, 215–219, 231, 232, 226; D9/435, 444, 574, 575, 702, 703, 707, D9/709–711, 720  
CPC .... A61J 1/10; A61J 1/1462; A61J 1/05; A61J 1/1406; A61J 1/1475; A61J 1/201; A61J 1/2024; A61J 1/2055; A61J 2200/76; A61J 15/00; A61B 2050/314; A61B 50/30  
See application file for complete search history.

(57) **CLAIM**

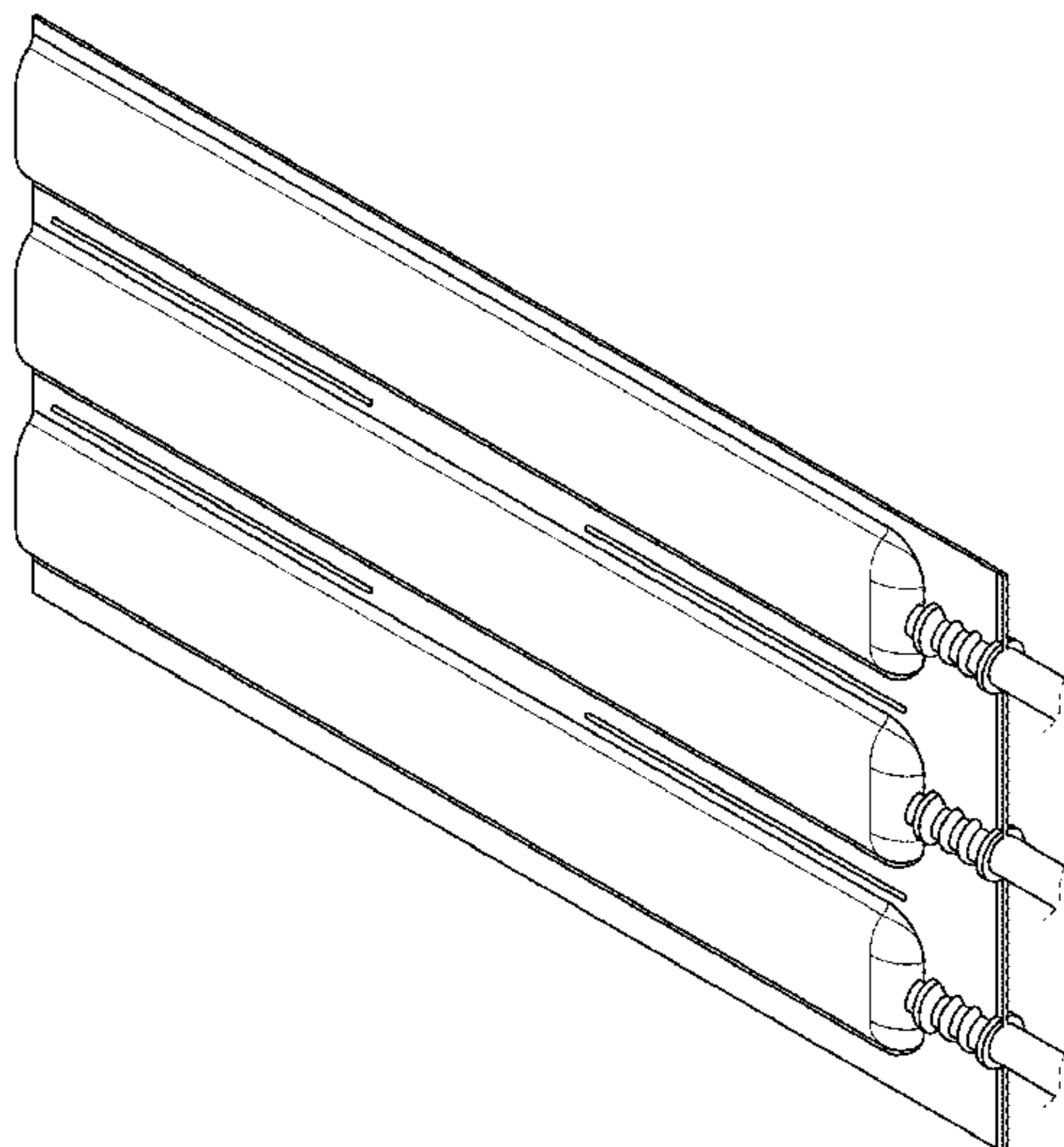
The ornamental design for a tissue processing bag, as shown and described.

**DESCRIPTION**

FIG. 1 is a front, left side perspective view of a tissue processing bag;  
FIG. 2 is a front, right perspective view thereof;  
FIG. 3 is a front view thereof (the rear view is a mirror image of the front view);  
FIG. 4 is a top view thereof (the bottom view is a mirror image of the top view);  
FIG. 5 is a right view thereof; and,  
FIG. 6 is a left view thereof.  
The broken dot-dash lines in the drawings depict symbolic break lines that form no part of the claimed design.

**1 Claim, 3 Drawing Sheets**

(56) **References Cited**  
**U.S. PATENT DOCUMENTS**  
D273,709 S \* 5/1984 Schneider ..... D24/118  
D302,306 S \* 7/1989 Steer ..... D24/117  
D355,593 S \* 2/1995 Bell ..... D7/635  
D374,616 S \* 10/1996 Smith ..... D24/224  
6,058,536 A \* 5/2000 Henry ..... A47C 27/12  
5/691  
D463,570 S \* 9/2002 Bedingham ..... D24/216



(56)

**References Cited**

U.S. PATENT DOCUMENTS

D785,165 S \* 4/2017 Nordquist ..... D24/118  
D909,572 S \* 2/2021 Knoedler ..... D24/118  
D943,091 S \* 2/2022 Dehmlow ..... D24/118  
2017/0211028 A1\* 7/2017 Kagawa ..... C12M 23/22  
2017/0335272 A1\* 11/2017 Tsai ..... C12M 47/04  
2022/0186165 A1\* 6/2022 Johnson ..... C12M 23/22

\* cited by examiner

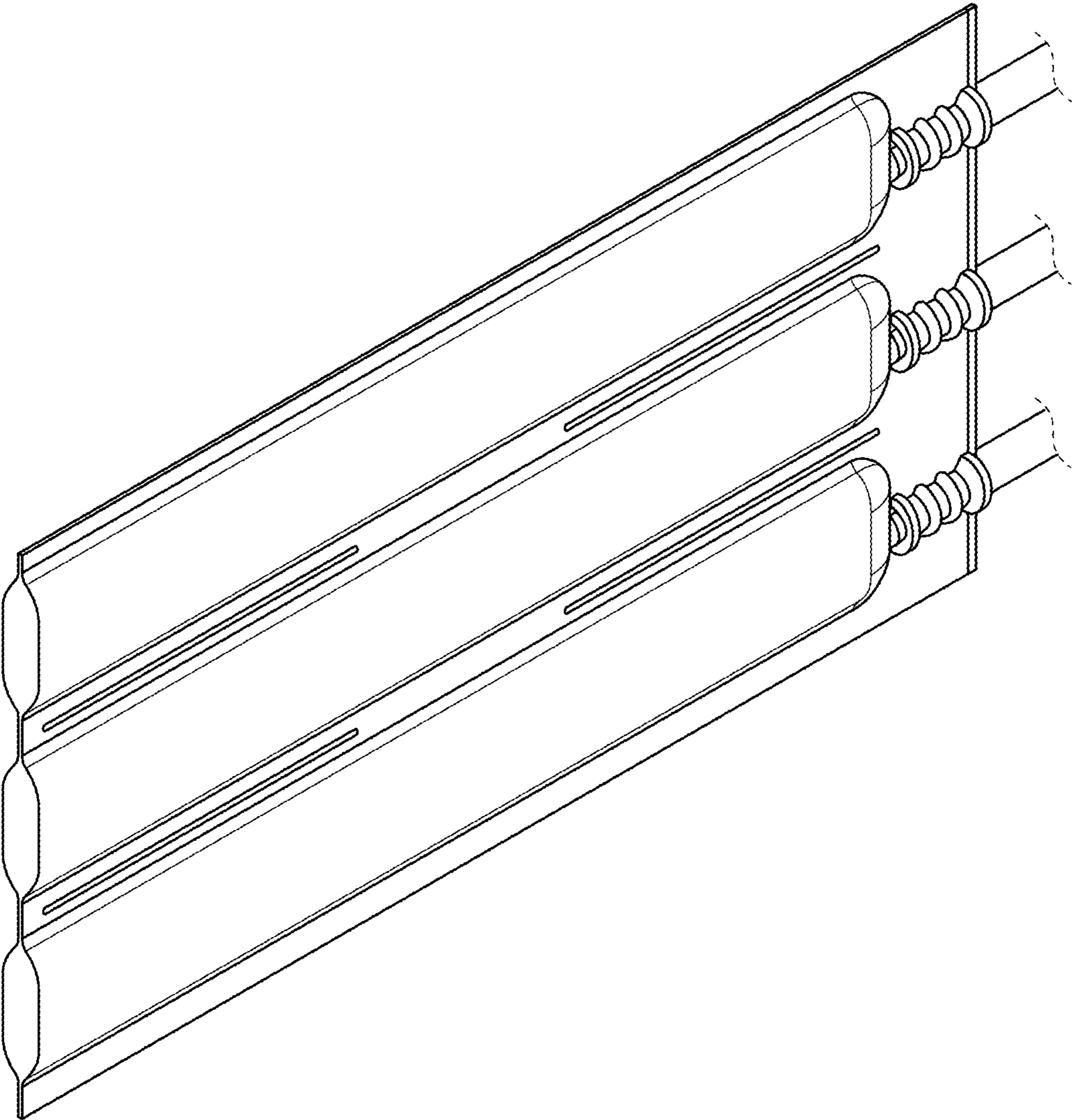


FIG. 1

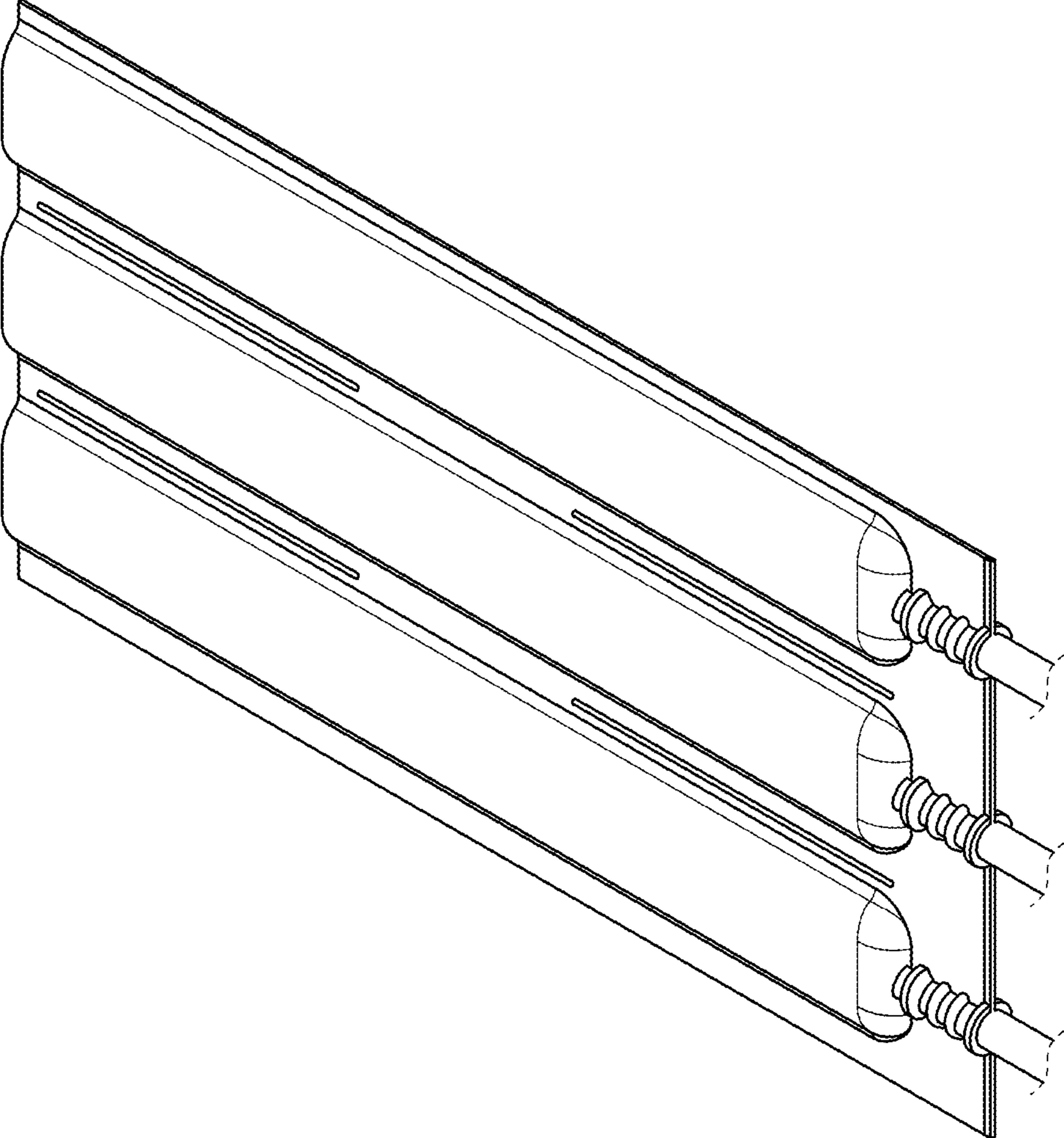


FIG. 2

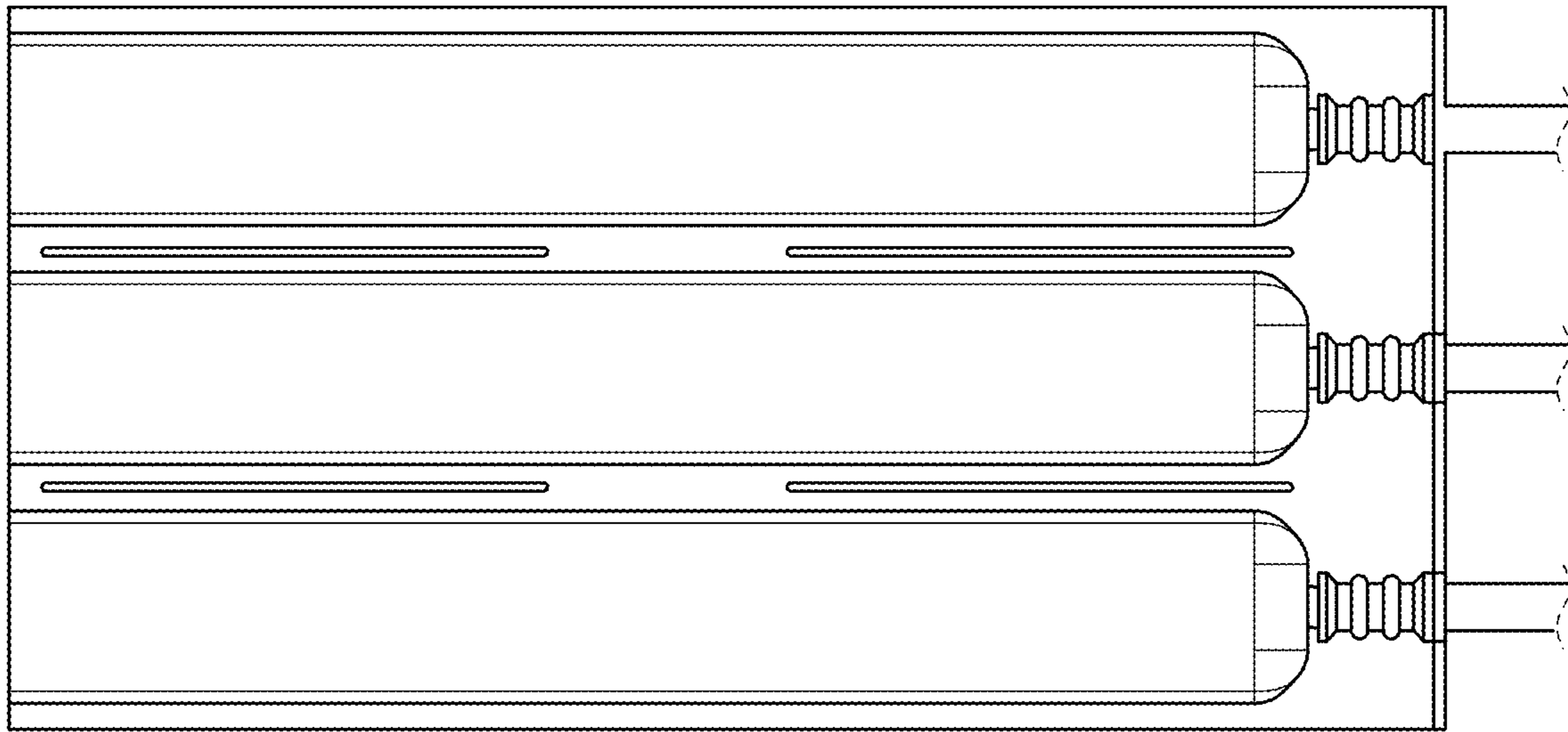


FIG. 3

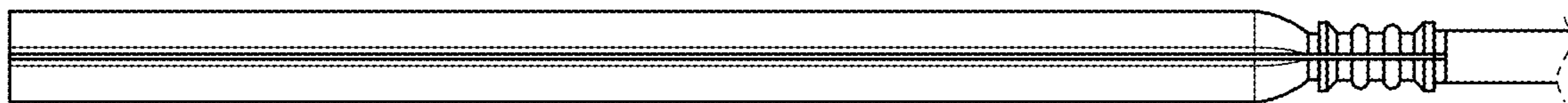


FIG. 4

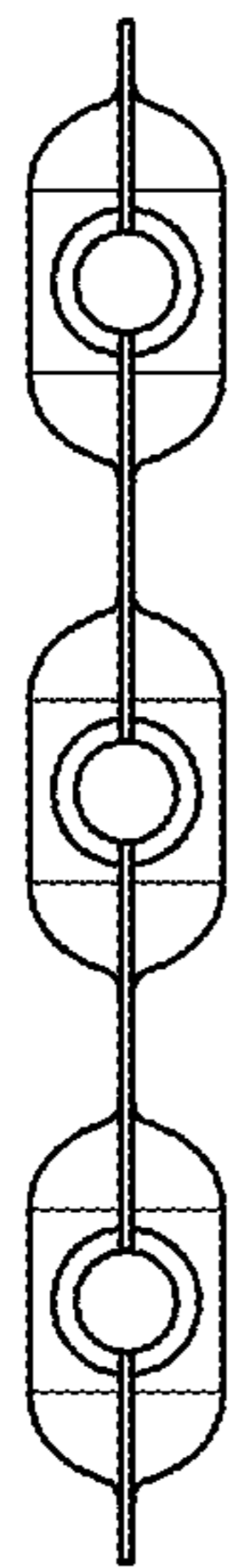


FIG. 5



FIG. 6