



US00D988537S

(12) **United States Design Patent**  
**Masuda**

(10) **Patent No.:** **US D988,537 S**  
(45) **Date of Patent:** **\*\* Jun. 6, 2023**

(54) **ANALYSIS CHIP FOR BIOCHEMICAL INSPECTION MACHINE**

(71) Applicant: **KYOCERA Corporation**, Kyoto (JP)

(72) Inventor: **Yuji Masuda**, Yasu (JP)

(73) Assignee: **KYOCERA CORPORATION**, Kyoto (JP)

(\*\*) Term: **15 Years**

(21) Appl. No.: **29/771,167**

(22) Filed: **Feb. 19, 2021**

(30) **Foreign Application Priority Data**

Aug. 21, 2020 (JP) ..... 2020-017572

(51) **LOC (14) Cl.** ..... **24-02**

(52) **U.S. Cl.**  
USPC ..... **D24/226**

(58) **Field of Classification Search**  
USPC ..... D24/216, 224, 225–227, 229–232;  
D13/180, 182, 184, 199  
CPC ..... B01L 3/5027; B01L 3/502723; B01L  
3/502738; B01L 3/502761; B01L  
3/502784

See application file for complete search history.

(56) **References Cited**

**U.S. PATENT DOCUMENTS**

D650,090 S \* 12/2011 Odeh ..... D24/225  
D887,998 S \* 6/2020 Krasnopolski ..... D13/182  
D888,273 S \* 6/2020 Thompson, II ..... D24/224  
D928,344 S \* 8/2021 Takeuchi ..... D24/233  
D932,051 S \* 9/2021 Masuda ..... D24/225  
D933,253 S \* 10/2021 Ishizawa ..... D24/226  
D938,611 S \* 12/2021 Thompson, II ..... D24/224  
2007/0249062 A1 \* 10/2007 Kageyama ..... B01L 3/502746  
436/514  
2011/0244595 A1 \* 10/2011 Chung ..... B01L 3/502707  
137/15.01

2015/0190811 A1\* 7/2015 Tachibana ..... C12M 33/00  
435/305.1  
2015/0284668 A1\* 10/2015 Hsu ..... C12M 23/38  
435/305.4  
2017/0297021 A1\* 10/2017 Chung ..... B01L 3/502715  
(Continued)

**FOREIGN PATENT DOCUMENTS**

IN 322331-001 \* 4/2021

**OTHER PUBLICATIONS**

Microfluidic Technologies Diagnose World's Return to Normal. Online, published date Jun. 22, 2020. Retrieved on Apr. 4, 2022 from URL: <https://www.eetimes.eu/microfluidic-technologies-diagnose-worlds-return-to-normal/>.\*

*Primary Examiner* — Omeed Agilee

(74) *Attorney, Agent, or Firm* — Hauptman Ham, LLP

(57) **CLAIM**

The ornamental design for an analysis chip for biochemical inspection machine, as shown and described.

**DESCRIPTION**

FIG. 1 is a top-front-right perspective view of an analysis chip for biochemical inspection machine showing my new design;

FIG. 2 is a top-rear-left perspective view thereof;

FIG. 3 is a front view thereof;

FIG. 4 is a rear view thereof;

FIG. 5 is a right side view thereof;

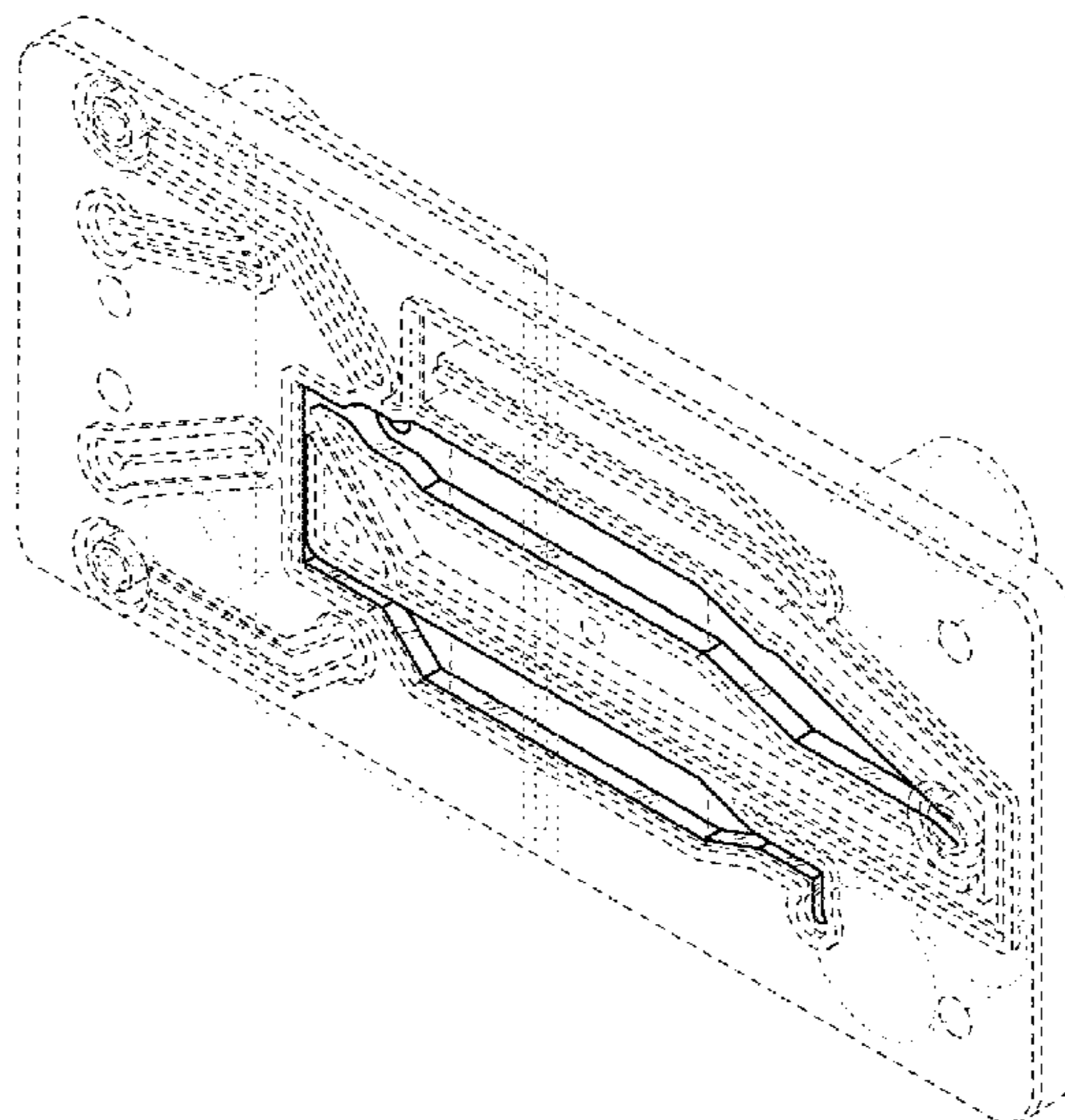
FIG. 6 is a left side view thereof;

FIG. 7 is a top plan view thereof; and,

FIG. 8 is a bottom plan view thereof.

The broken line showing portions of the analysis chip for biochemical inspection machine form no part of the claimed design.

**1 Claim, 5 Drawing Sheets**



(56)

**References Cited**

U.S. PATENT DOCUMENTS

2020/0249232 A1\* 8/2020 Konstantopoulos .....  
G01N 33/5091  
2020/0406263 A1\* 12/2020 Milgram ..... B01L 3/502776

\* cited by examiner

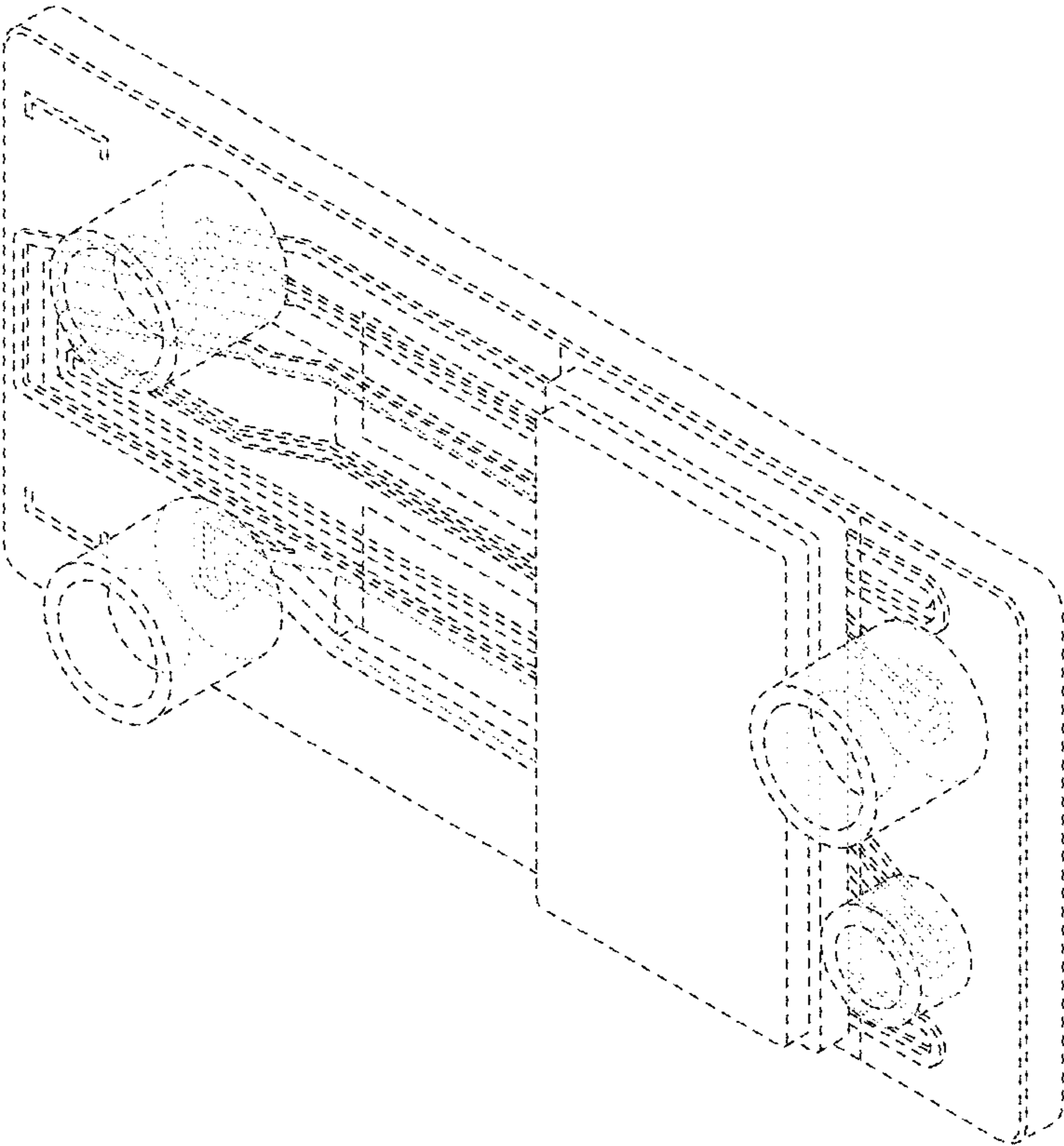


FIG. 1

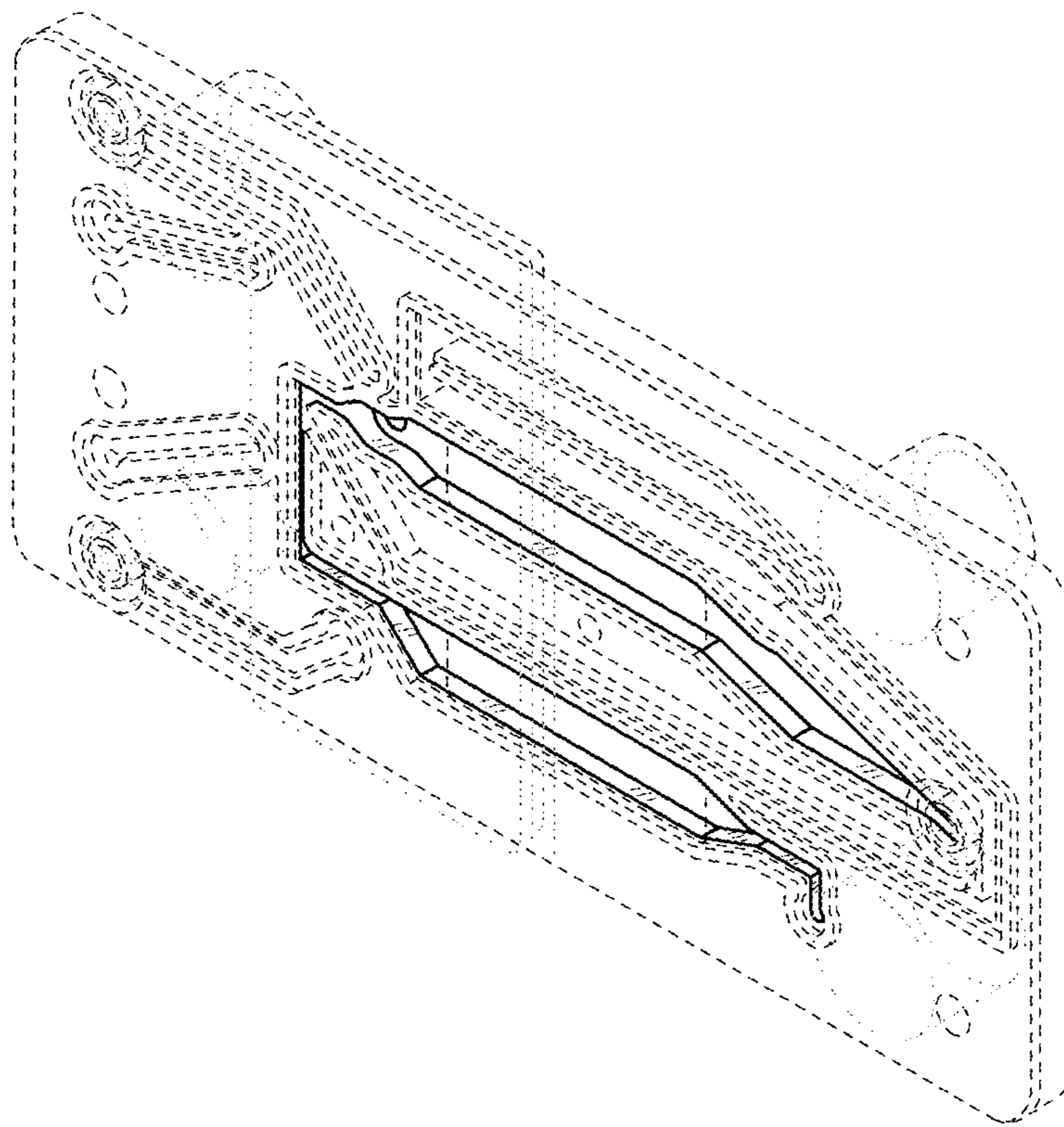


FIG. 2



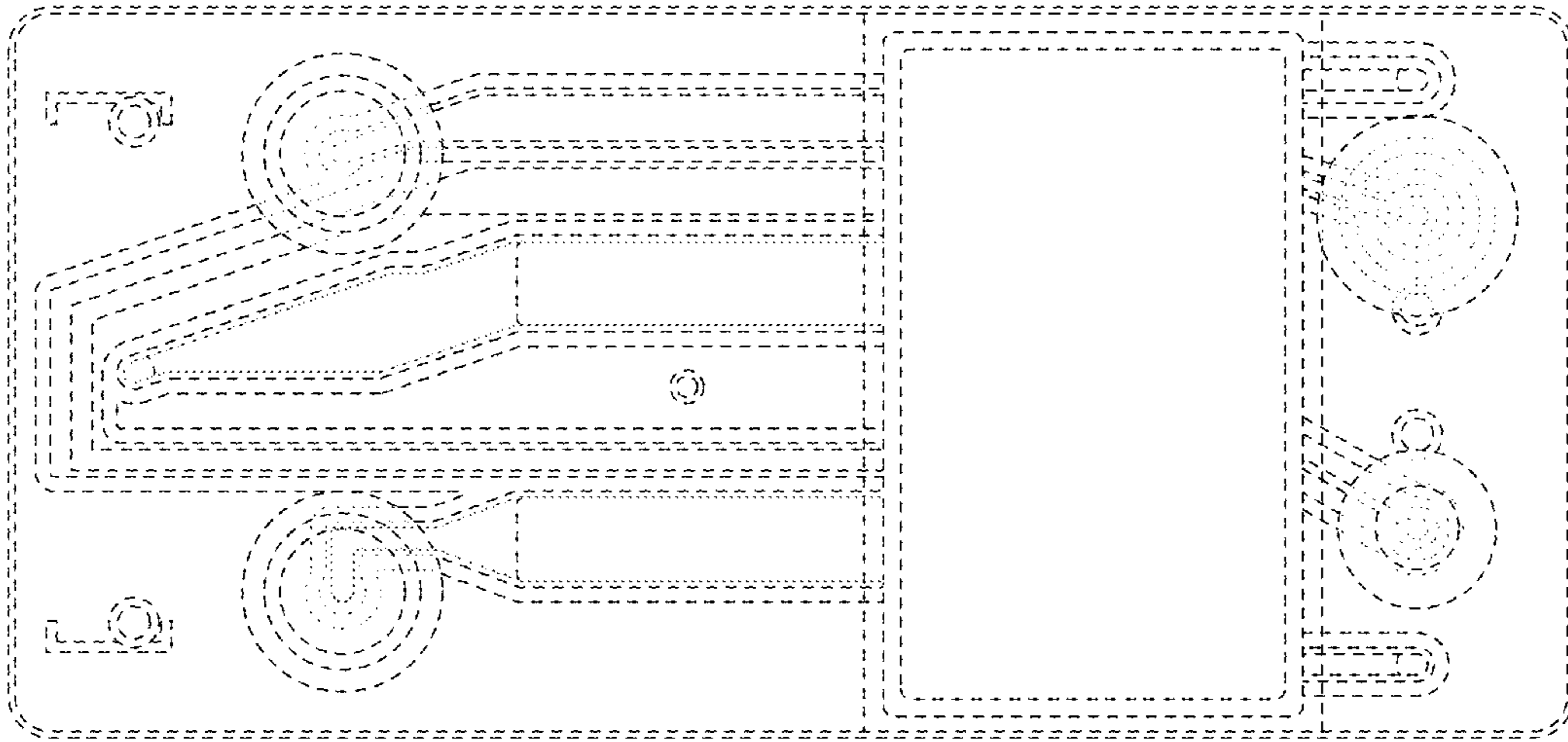


FIG. 3

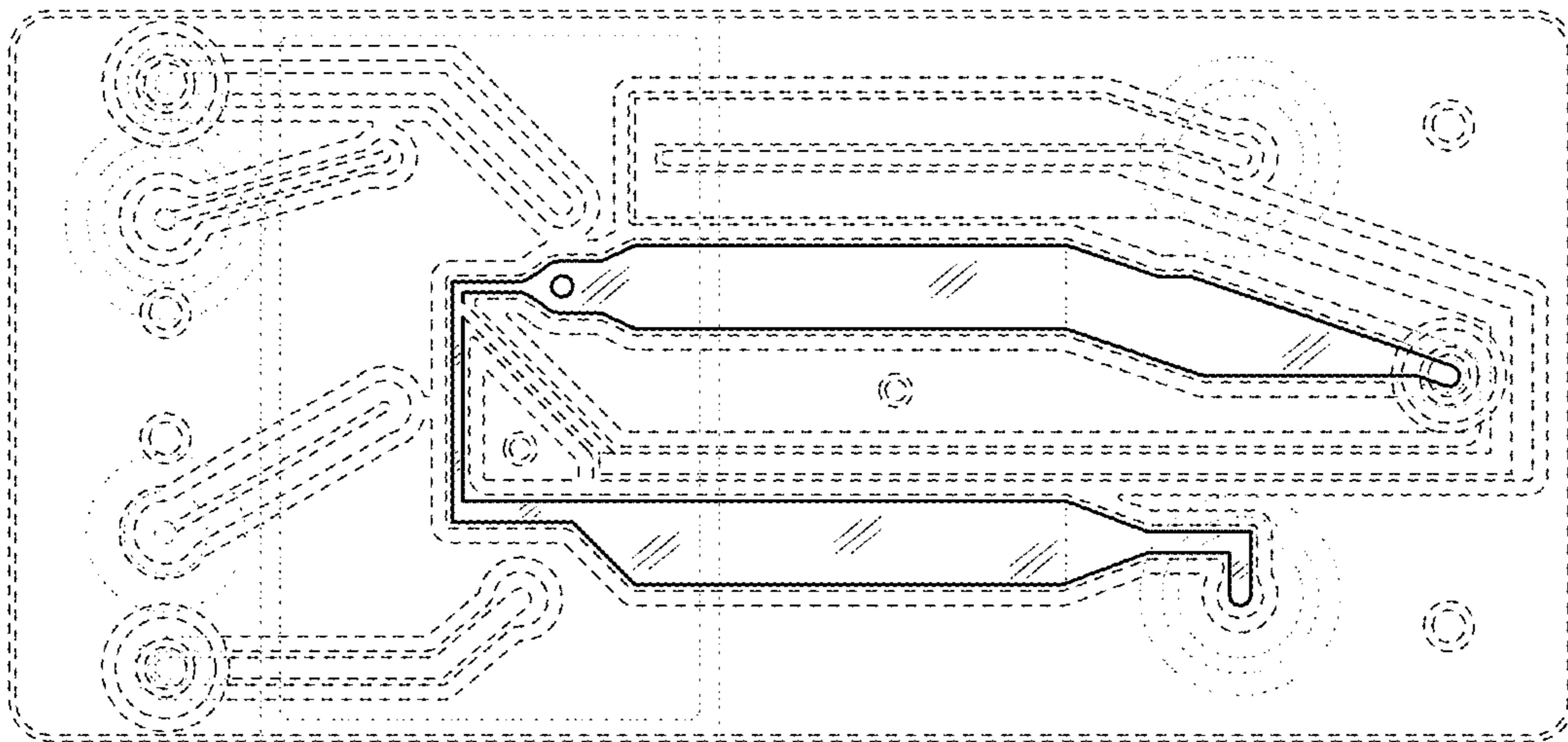


FIG. 4

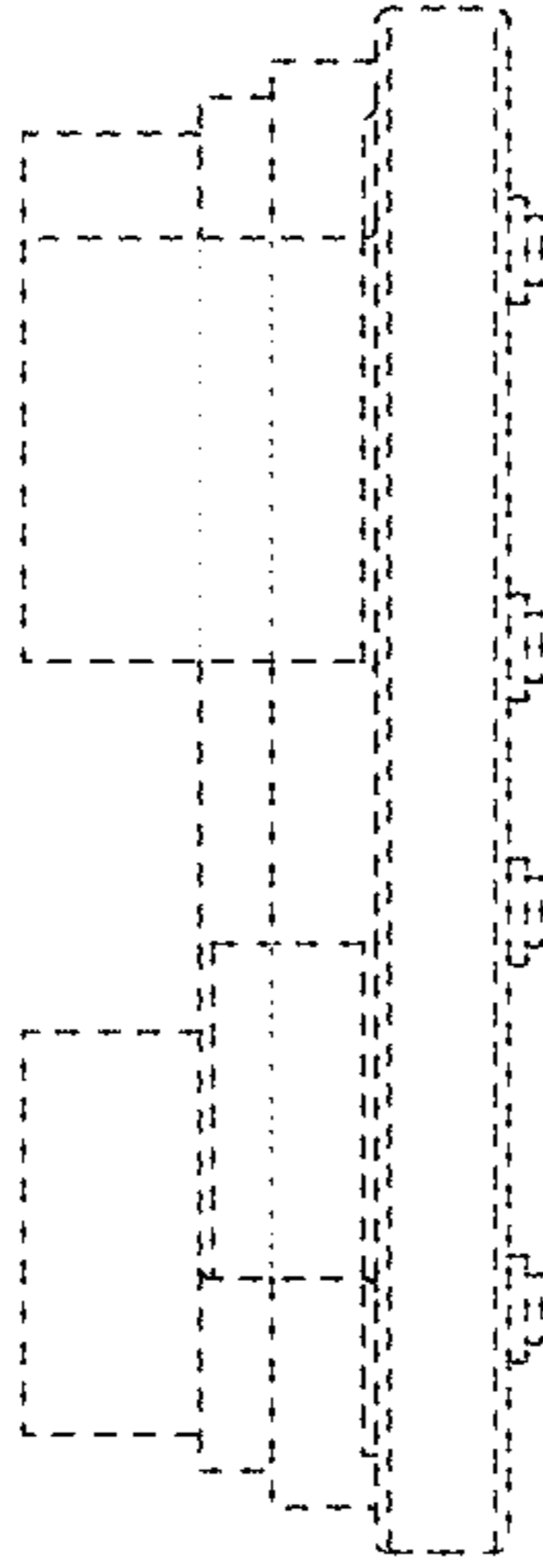


FIG. 5



FIG. 6

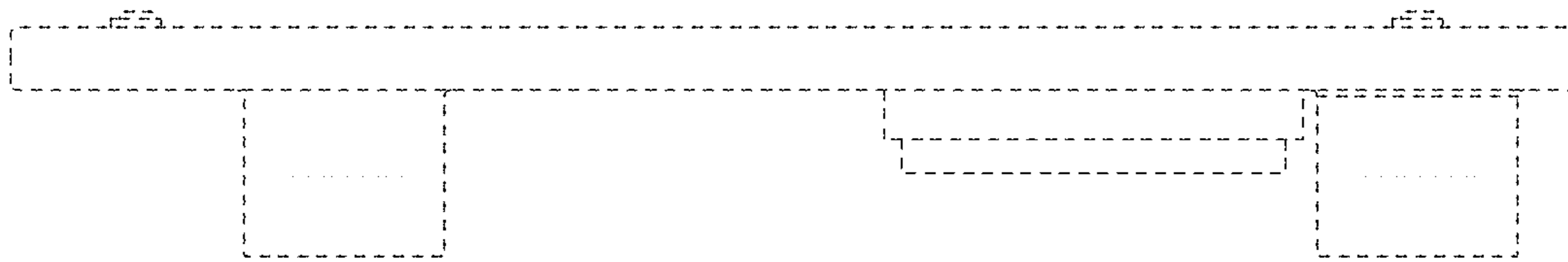


FIG. 7

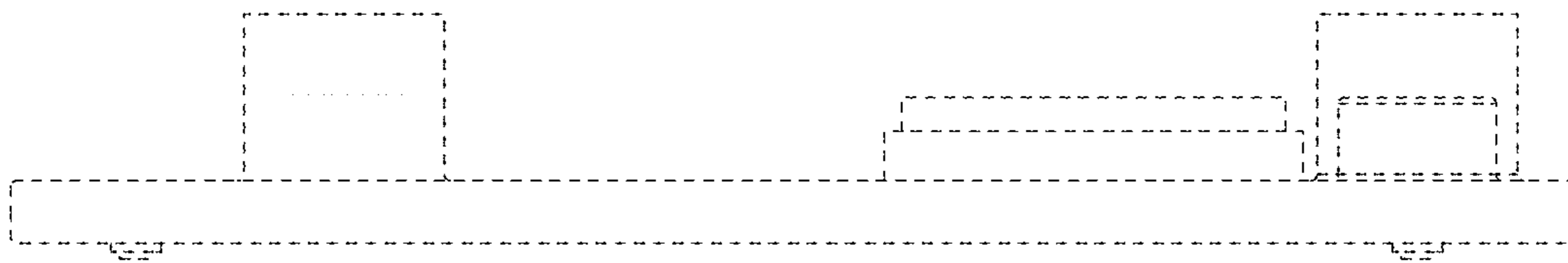


FIG. 8