



US00D988534S

(12) **United States Design Patent**
Solana et al.

(10) **Patent No.:** **US D988,534 S**
(45) **Date of Patent:** **** Jun. 6, 2023**

(54) **THERAPEUTIC DEVICE**
(71) Applicant: **Therabody, Inc.**, Los Angeles, CA (US)
(72) Inventors: **Jaime Sanchez Solana**, Los Angeles, CA (US); **Eduardo Merino**, Los Angeles, CA (US); **Alex Zhu**, Xiamen (CN)

10,493,264 B1 * 12/2019 Lefkovitz A61N 1/0456
D890,933 S 7/2020 Shurtliff et al.
D891,626 S 7/2020 Xu
D905,253 S * 12/2020 Hubelbank D24/189
D923,184 S 6/2021 Li
D928,974 S * 8/2021 Zulkosky D24/200
D932,035 S * 9/2021 McDonough D24/187
(Continued)

(73) Assignee: **Therabody, Inc.**, Los Angeles, CA (US)

CN 304334066 10/2017
CN 305493698 12/2019

(**) Term: **15 Years**

FOREIGN PATENT DOCUMENTS

(Continued)

(21) Appl. No.: **29/866,590**

OTHER PUBLICATIONS

(22) Filed: **Sep. 19, 2022**

Youtube, "Therabody RevcoveryTherm Knee Sleeve Review", Published Date: Dec. 22, 2022. https://www.youtube.com/watch?v=dHbFc_LJfw (Year: 2022).*

(51) **LOC (14) Cl.** **24-01**

(52) **U.S. Cl.**
USPC **D24/215**

(Continued)

(58) **Field of Classification Search**
USPC D21/683, 694; D2/624, 627, 702;
D3/215; D24/188, 189, 190, 215
CPC A61H 23/02; A61H 2201/5071; A61H
2207/00; A61H 39/002; A61N 1/0492;
A61N 1/36021; A61N 1/3601

See application file for complete search history.

Primary Examiner — Michael A Maharajh

(74) *Attorney, Agent, or Firm* — Sterne, Kessler, Goldstein & Fox P.L.L.C.

(57) **CLAIM**

The ornamental design for a therapeutic device, as shown and described.

(56) **References Cited**

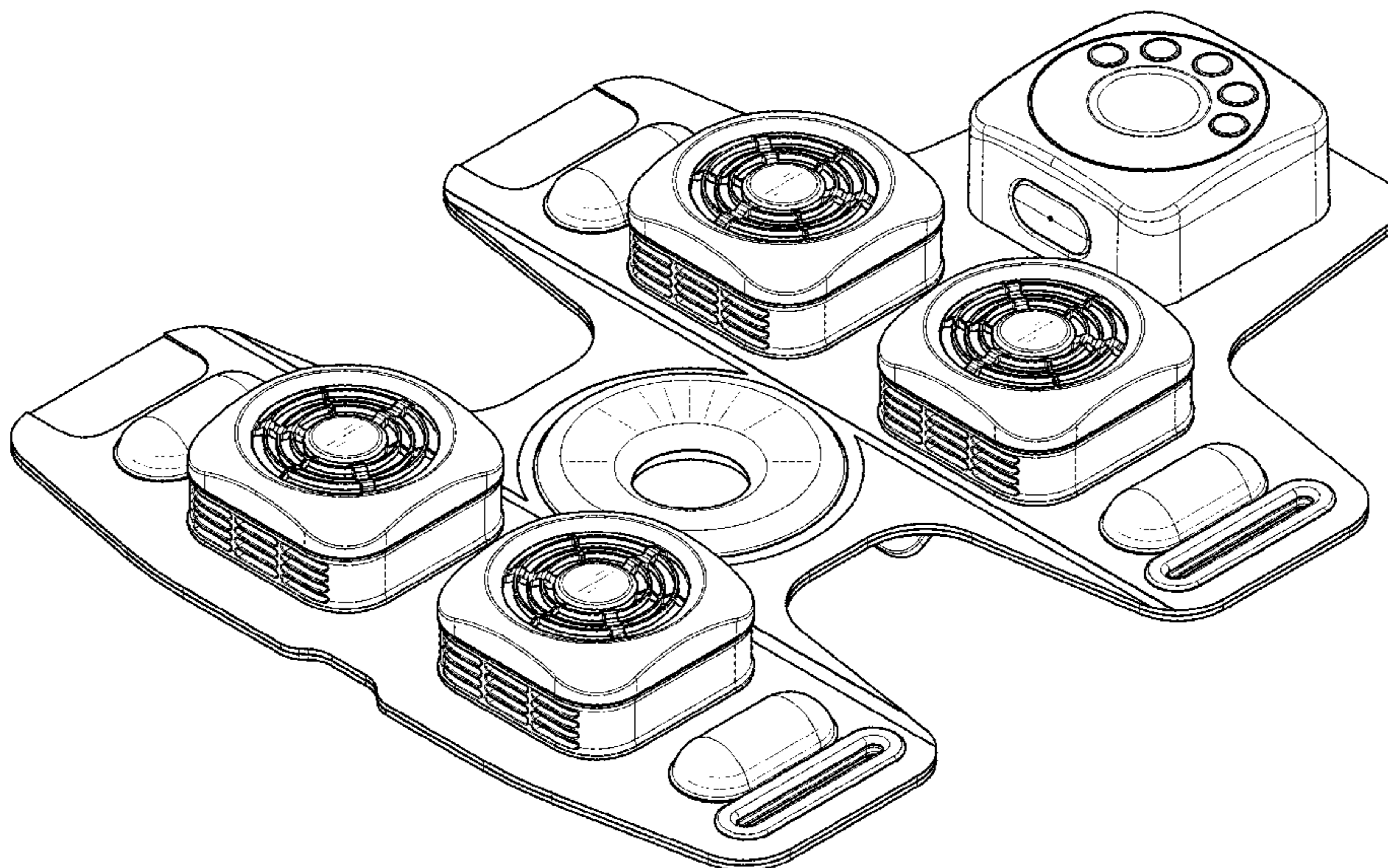
DESCRIPTION

U.S. PATENT DOCUMENTS

D571,923 S 6/2008 Roberts
D608,006 S 1/2010 Avitable et al.
D716,457 S * 10/2014 Brefka D24/186
D735,873 S * 8/2015 Brefka D24/200
D762,869 S 8/2016 Beckman et al.
D764,672 S * 8/2016 Vosch D24/187
D786,447 S * 5/2017 Bigelow D24/206
D800,326 S 10/2017 Cox
D810,311 S * 2/2018 Chen D24/200
D820,994 S * 6/2018 Trapp D24/215
D865,986 S * 11/2019 Cryan D24/214

FIG. 1 is a top front isometric view of a therapeutic device showing the claimed design;
FIG. 2 is a bottom rear isometric view thereof;
FIG. 3 is a front elevation view thereof;
FIG. 4 is a rear elevation view thereof;
FIG. 5 is a left side elevation view thereof;
FIG. 6 is a right side elevation view thereof;
FIG. 7 is a top plan view thereof; and,
FIG. 8 is a bottom plan view thereof.

1 Claim, 6 Drawing Sheets



(56)

References Cited

U.S. PATENT DOCUMENTS

D932,042 S	9/2021	Hu	
D932,638 S *	10/2021	McDonough	D24/187
D932,639 S *	10/2021	McDonough	D24/187
D932,640 S *	10/2021	McDonough	D24/187
D950,740 S *	5/2022	Caneppele	D24/189

FOREIGN PATENT DOCUMENTS

CN	305531856	1/2020
CN	306067989	9/2020
CN	306068005	9/2020
CN	306981442	12/2021
CN	306981451	12/2021
HK	2117964-0001	12/2021
JP	D1395716	8/2010
KR	300388708.0001	8/2006
KR	300941258.0000	1/2018
KR	300959951.0000	6/2018
KR	301075396.0000	9/2020
KR	301082314.0000	11/2020
RU	00129403	1/2022

OTHER PUBLICATIONS

Therabody, "RecoveryTherm Hot and Cold Vibration Knee", Access Date: Jan. 30, 2023. <https://www.therabody.com/us/en-us/recoverytherm-knee-massager-compression.html?cgid=therabody-recovery-devices#start=1> (Year: 2023).*

Amazon, "RecoveryTherm Knee", Date First Available: Aug. 3, 2022. https://www.amazon.com/RecoveryTherm-Knee-Vibration-Cryothermal-Technology/dp/B0B8GCBVYF/ref=cm_cr_arp_d_product_top?ie=UTF8 (Year: 2022).*

"Battle Creek Embrace™ Relief Knee Wrap," fsastore.com, available at least as early as 2020. <https://fsastore.com/battle-creek-embrace-relief-knee-wrap/29568.html>.

"Hyperice X," hyperice.com, available at least as early as Sep. 8, 2021. https://hyperice.com/products/hyperice-x/?wickedsource=google&wickedid=EAAlQobChMlo_D5z_-4-wlV9Y5bCh284gf8EAQYByABEgLiRvD_BwE&wickedid=&wcid=17299137048&wv=4&gclid=EAAlQobChMlo_D5z_-4-wlV9Y5bCh284gf8EAQYByABEgLiRvD_BwE.

* cited by examiner

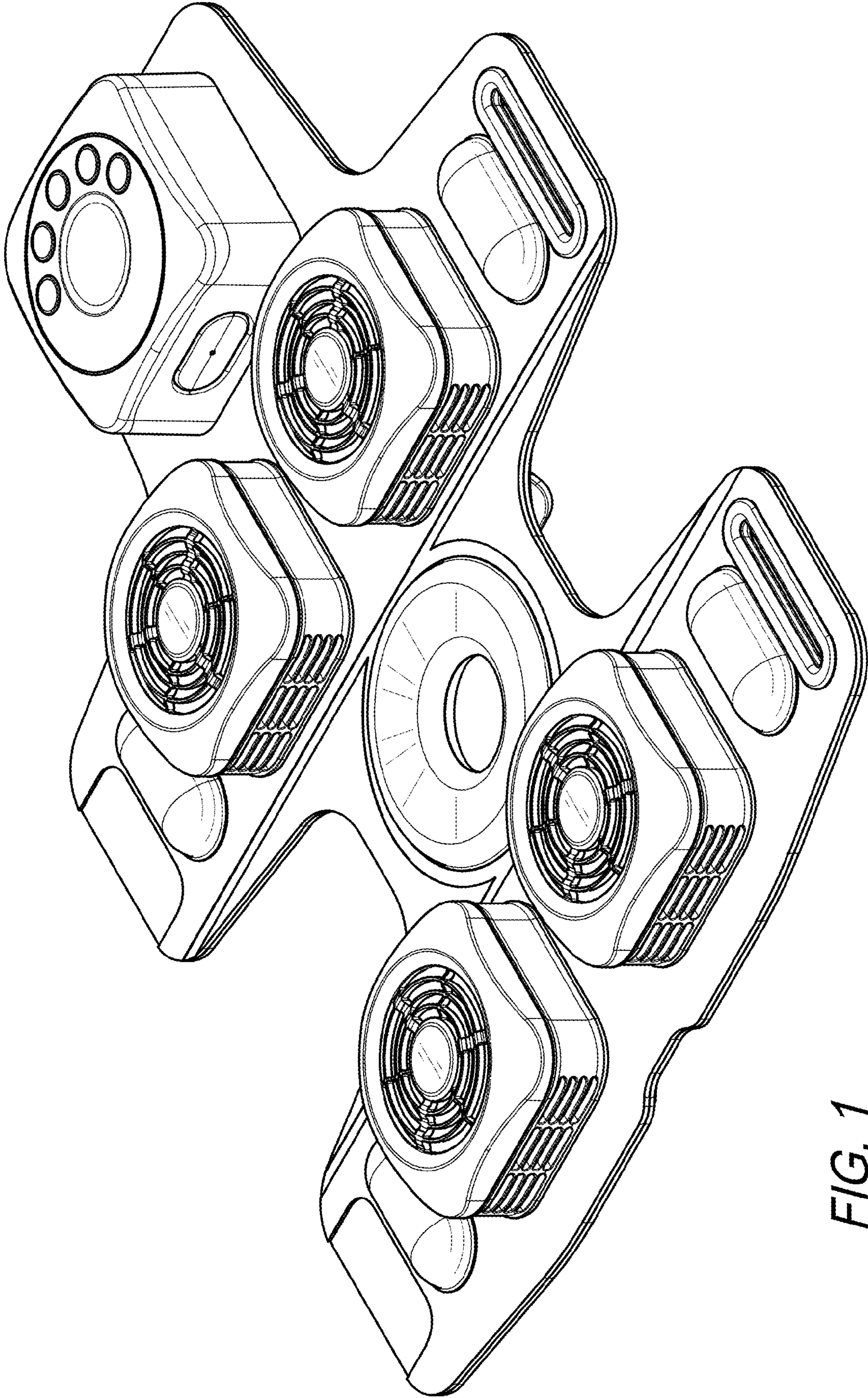


FIG. 1

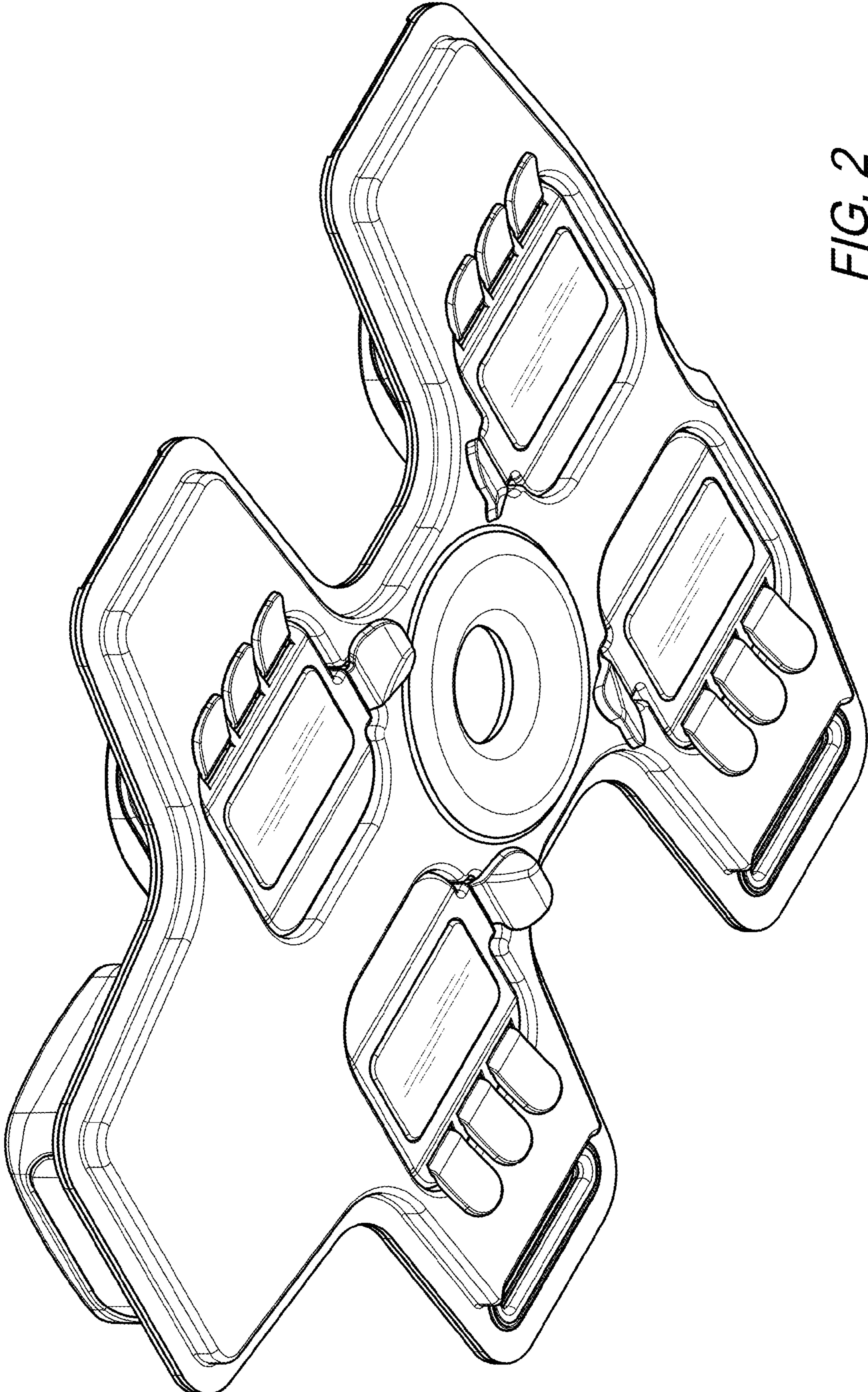


FIG. 2

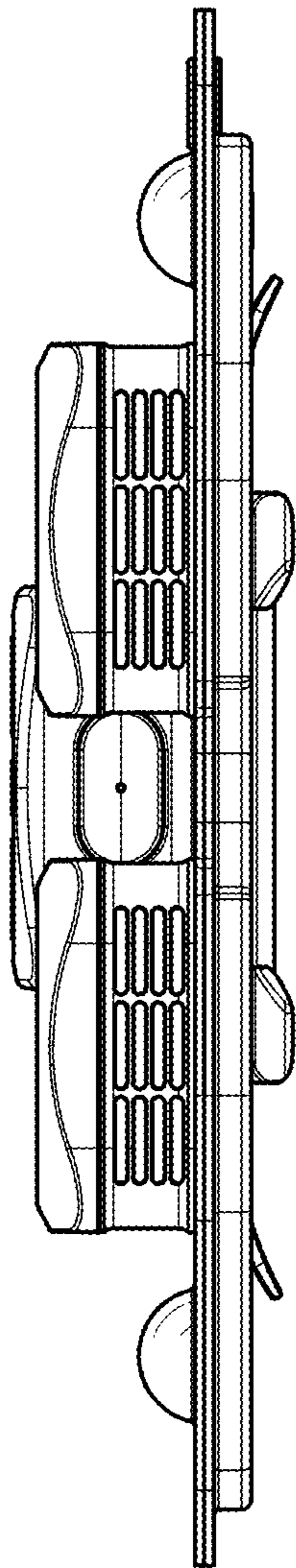


FIG. 3

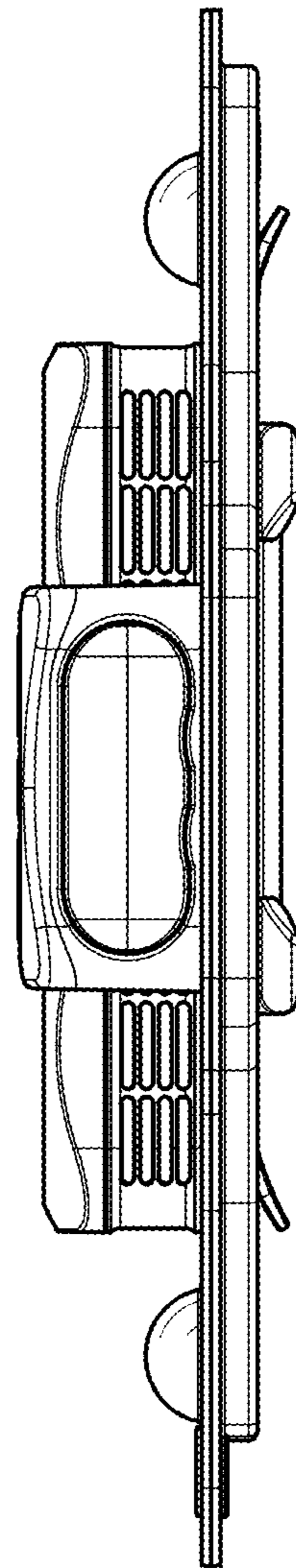


FIG. 4

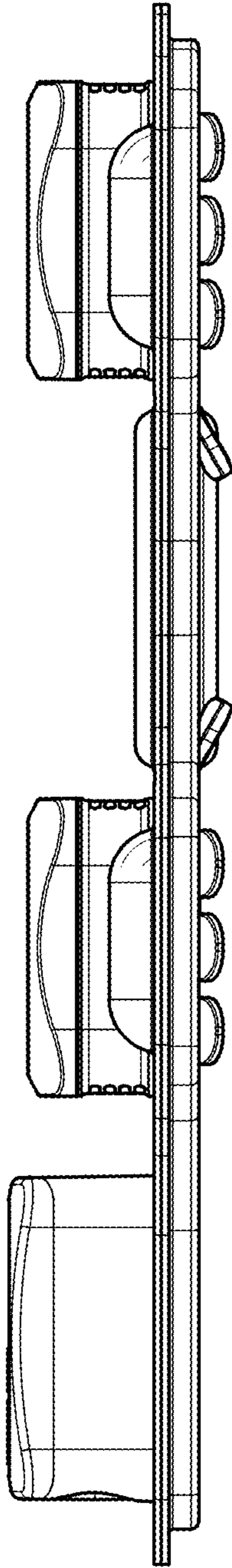


FIG. 5

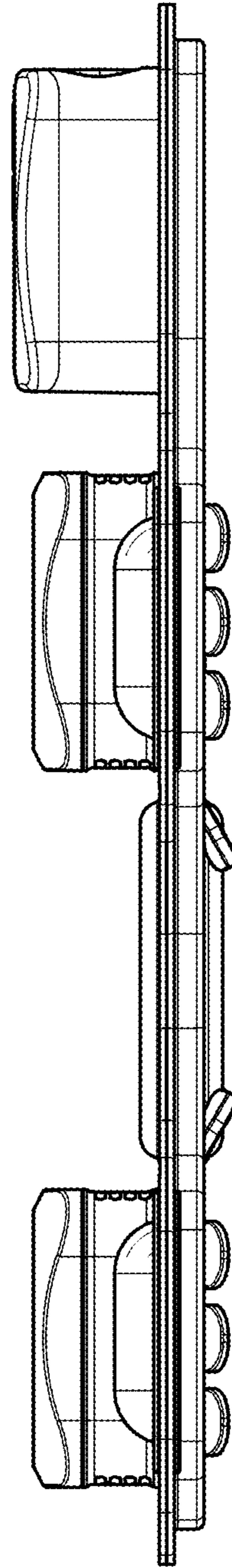


FIG. 6

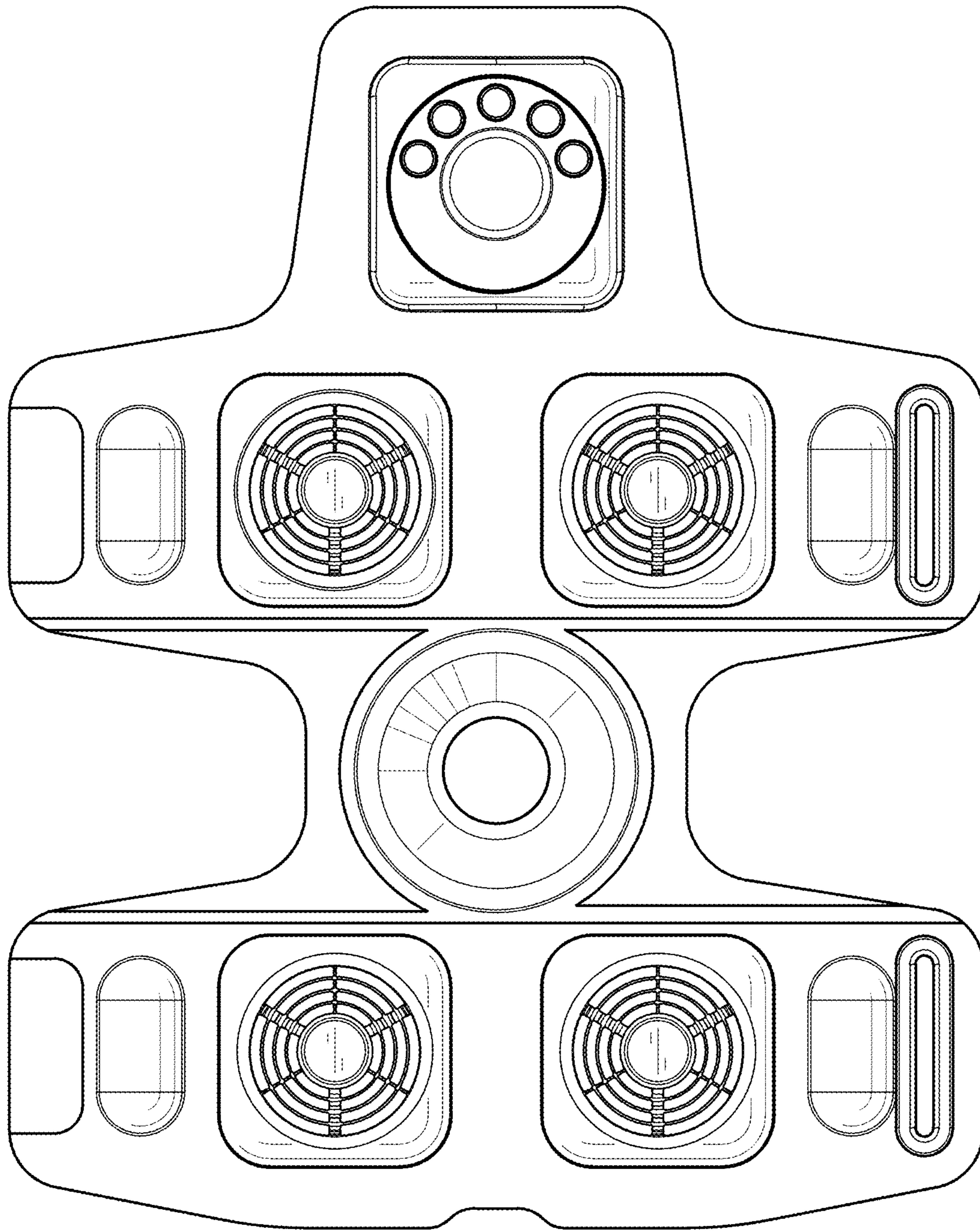


FIG. 7

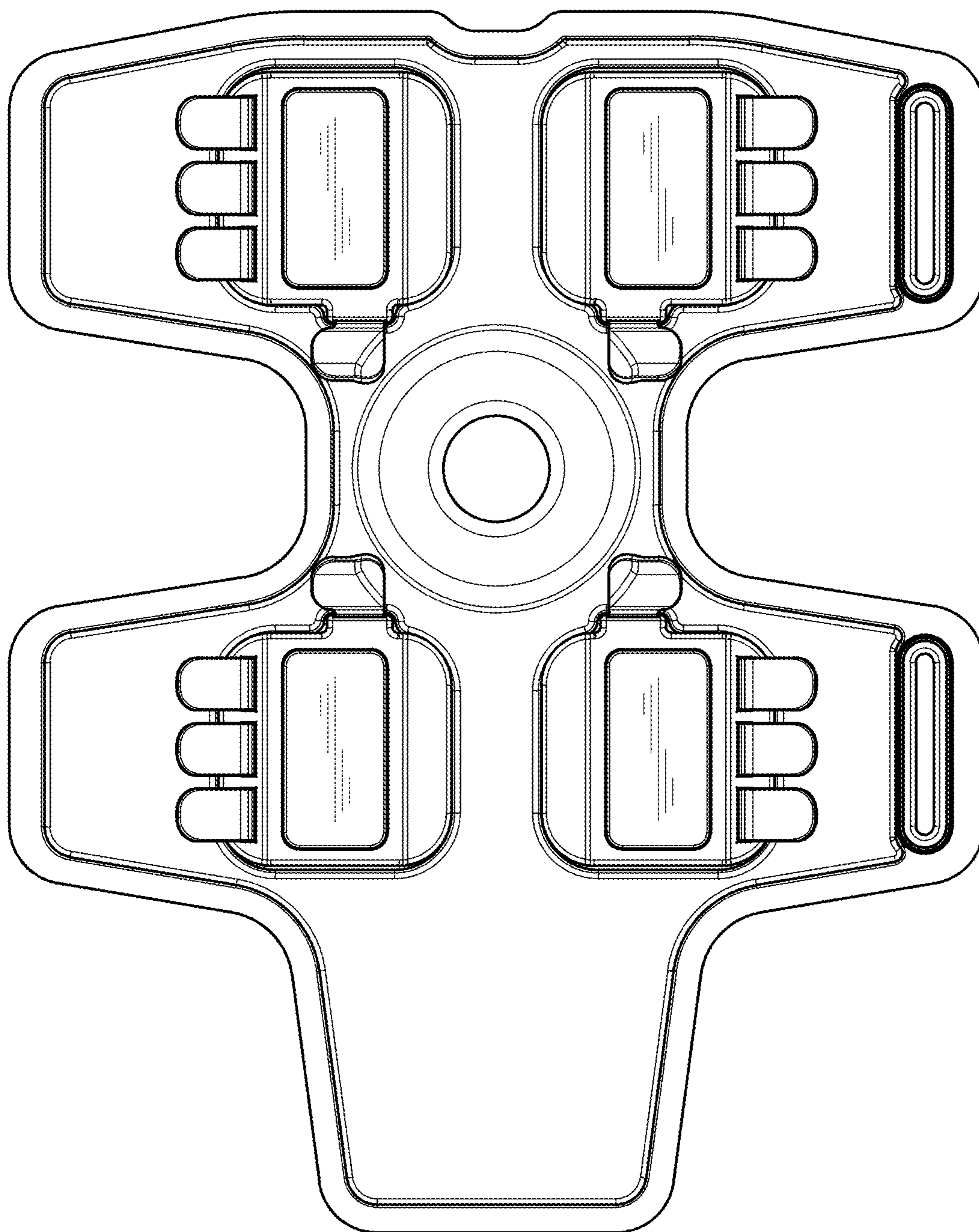


FIG. 8