



US00D988533S

(12) **United States Design Patent** (10) **Patent No.:** **US D988,533 S**  
**Sanchez Solana** (45) **Date of Patent:** **\*\* Jun. 6, 2023**

(54) <b>MESSAGE DEVICE</b>	CN	303482863	12/2015
	CN	304177930	6/2017
(71) Applicant: <b>Therabody, Inc.</b> , Los Angeles, CA (US)	CN	304871638	11/2018
	CN	305198285	6/2019
	CN	305198301	6/2019
(72) Inventor: <b>Jaime Sanchez Solana</b> , Los Angeles, CA (US)	CN	305218880	6/2019
	CN	305241924	7/2019
	CN	305241925	7/2019
	CN	305241926	7/2019
(73) Assignee: <b>Therabody, Inc.</b> , Los Angeles, CA (US)	CN	305494479	12/2019
	CN	305494553	12/2019

(Continued)

(\*\*) Term: **15 Years**

(21) Appl. No.: **29/863,143**

(22) Filed: **Dec. 15, 2022**

(51) **LOC (14) Cl.** ..... **24-01**

(52) **U.S. Cl.**  
USPC ..... **D24/215**

(58) **Field of Classification Search**  
USPC ..... D24/133, 141, 188, 189, 200, 201, 202,  
D24/203, 204, 206, 209, 211, 212, 213,  
D24/214, 215  
CPC ..... A61H 39/04; A61H 2201/0157; A61H  
1/0266; A61H 2015/0042; A61H  
2201/1614  
See application file for complete search history.

(56) **References Cited**

**U.S. PATENT DOCUMENTS**

D694,898 S	12/2013	Chen	
D939,096 S *	12/2021	Lee	D24/188
D946,916 S *	3/2022	Shin	D6/367
D968,832 S *	11/2022	Zhao	D6/367
D968,833 S *	11/2022	Zhao	D6/367
D969,510 S *	11/2022	Zhao	D6/367

**FOREIGN PATENT DOCUMENTS**

CN	300730945	1/2008
CN	301031235	9/2009

*Primary Examiner* — Michael A Maharajh  
(74) *Attorney, Agent, or Firm* — Sterne, Kessler,  
Goldstein & Fox P.L.L.C.

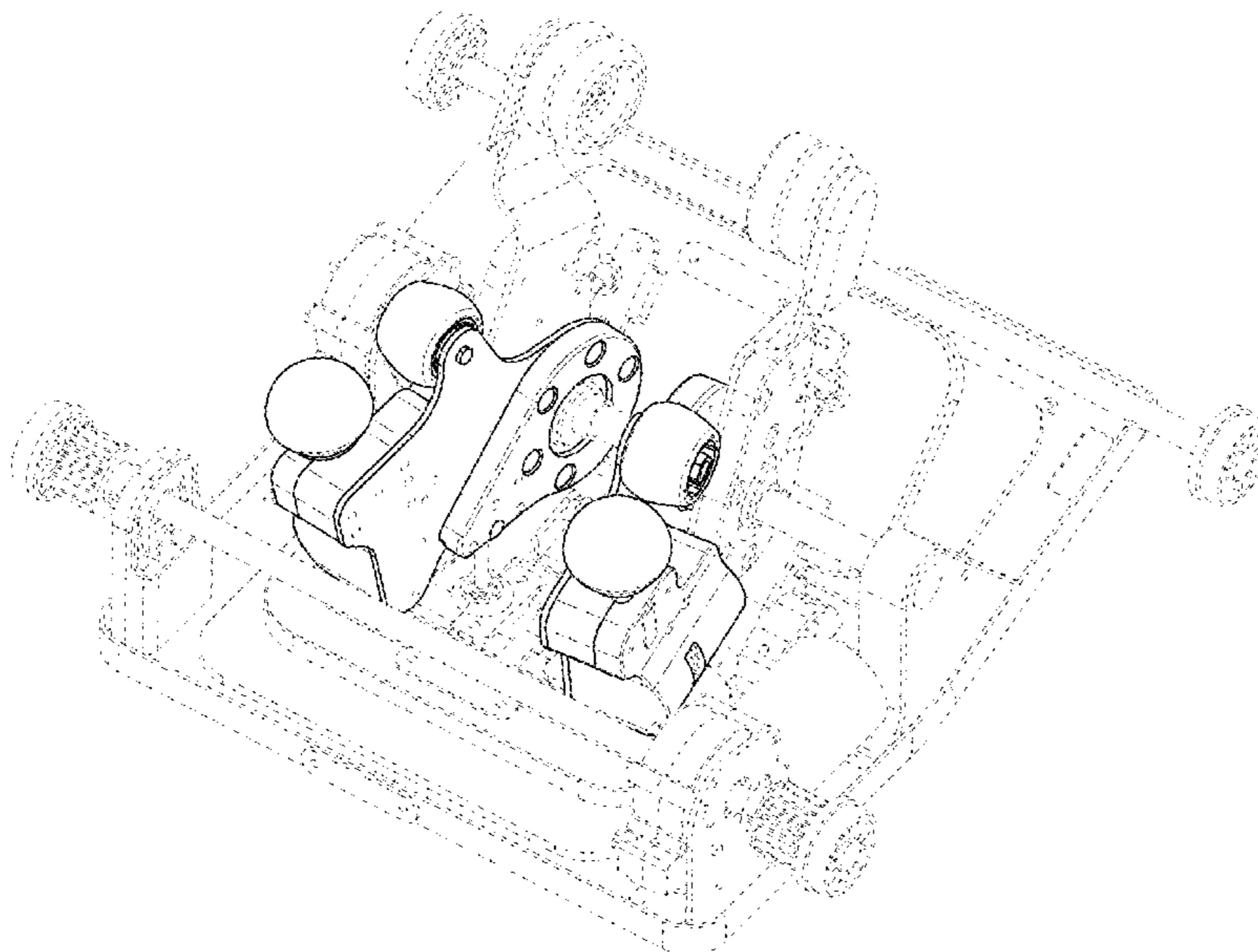
(57) **CLAIM**

The ornamental design for a massage device, as shown and described.

**DESCRIPTION**

FIG. 1 is a top front isometric view of a massage device showing the claimed design;  
FIG. 2 is a top rear isometric view thereof;  
FIG. 3 is a front elevation view thereof;  
FIG. 4 is a rear elevation view thereof;  
FIG. 5 is a right side elevation view thereof;  
FIG. 6 is a left side elevation view thereof;  
FIG. 7 is a top plan view thereof;  
FIG. 8 is a bottom plan view thereof; and,  
FIG. 9 is a top front isometric view thereof showing the claimed design in an environment in which it may be used. The broken lines shown in FIGS. 1 through 8 are for the purpose of illustrating portions of the massage device, which form no part of the claimed design. The additional broken lines shown in FIG. 9 are for the purpose of illustrating environmental structure, which form no part of the claimed design.

**1 Claim, 9 Drawing Sheets**



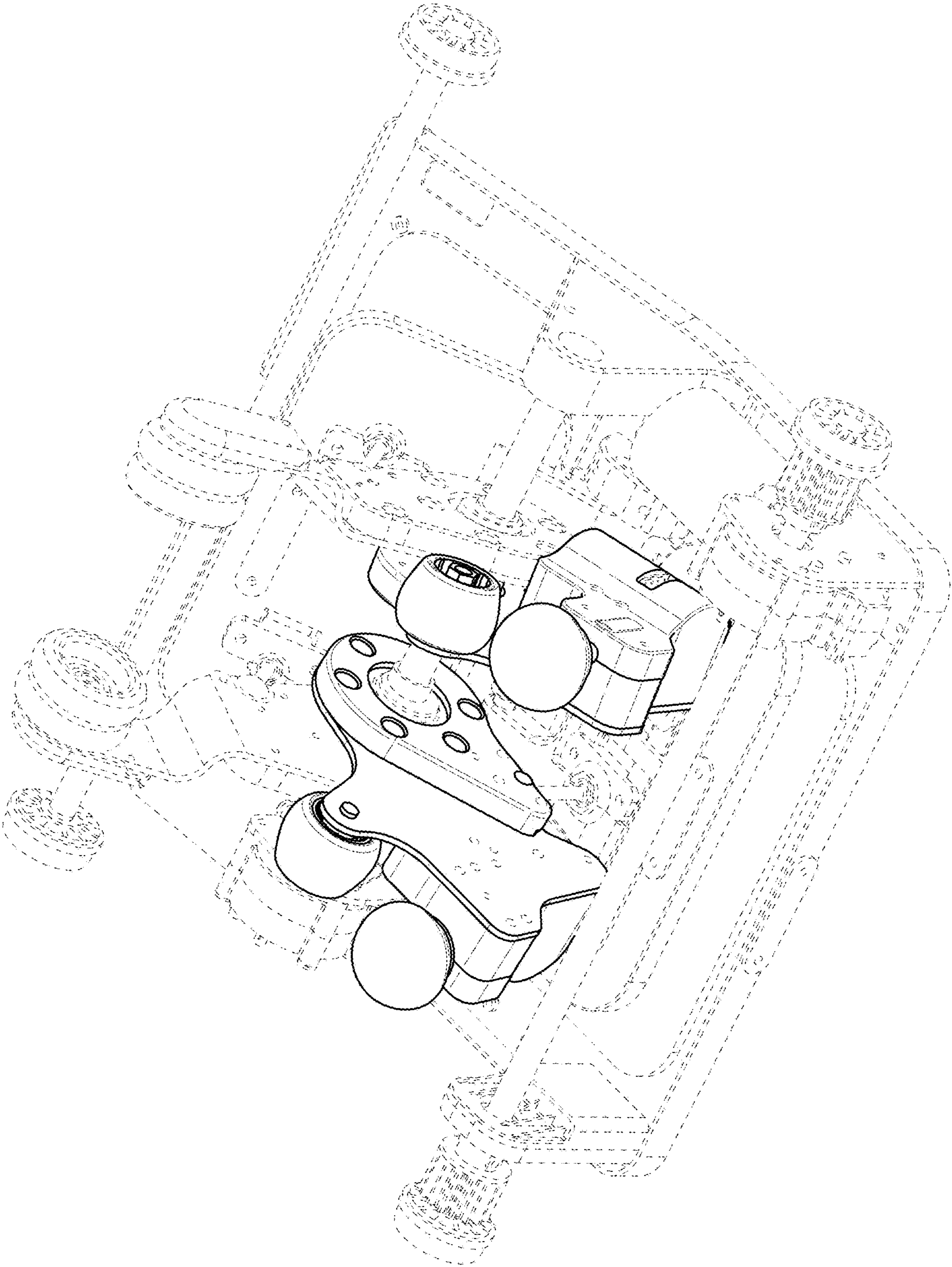
(56)

**References Cited**

FOREIGN PATENT DOCUMENTS

CN	305636284	3/2020
CN	305984498	8/2020
CN	305984499	8/2020
CN	306566935	5/2021
CN	307022347	12/2021
CN	307647905	11/2022
EM	008414544-0001	2/2021
JP	D1484398	11/2013
JP	D1496946	5/2014
JP	D1496947	5/2014

\* cited by examiner



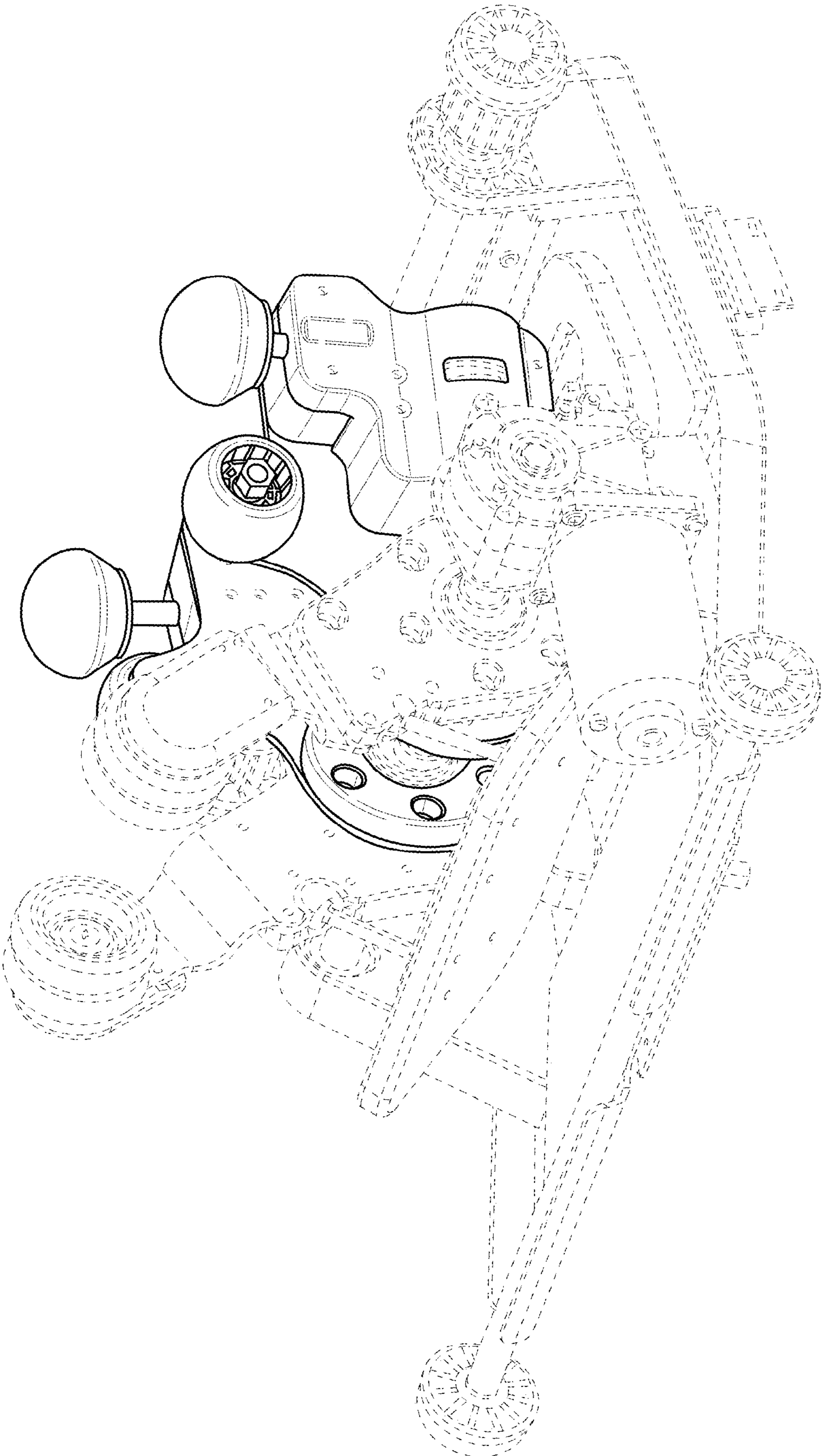


FIG. 2

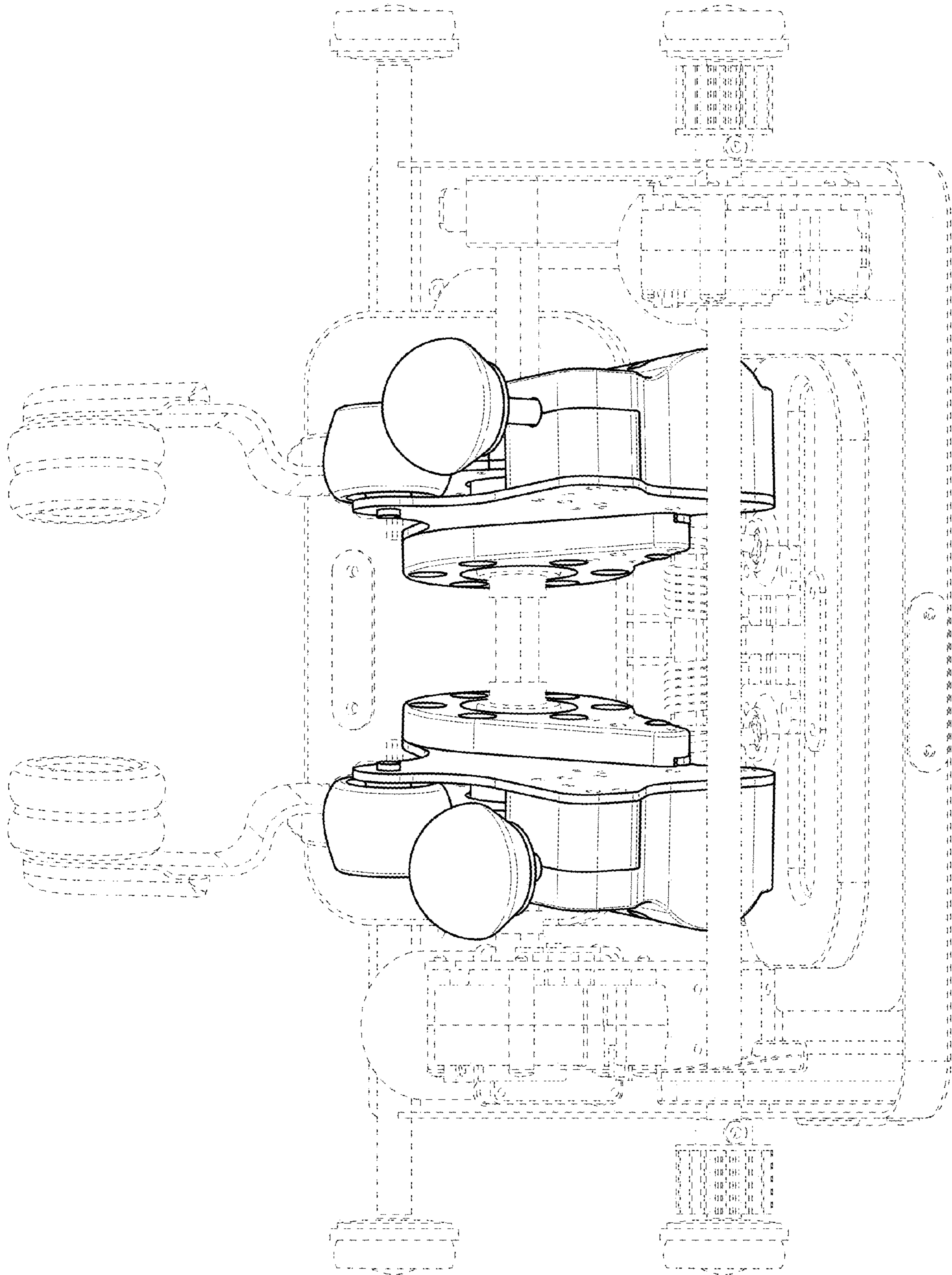


FIG. 3

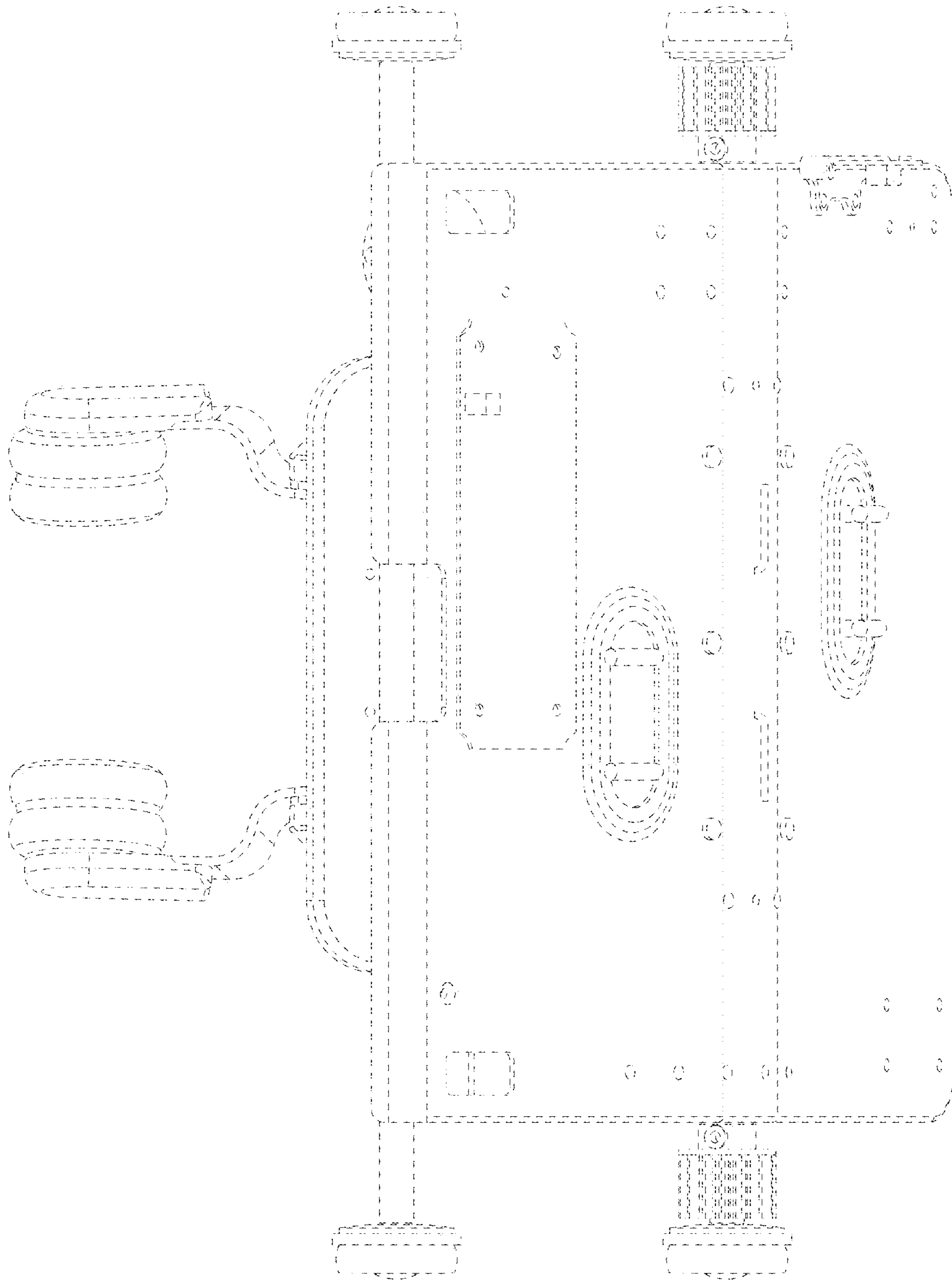


FIG. 4

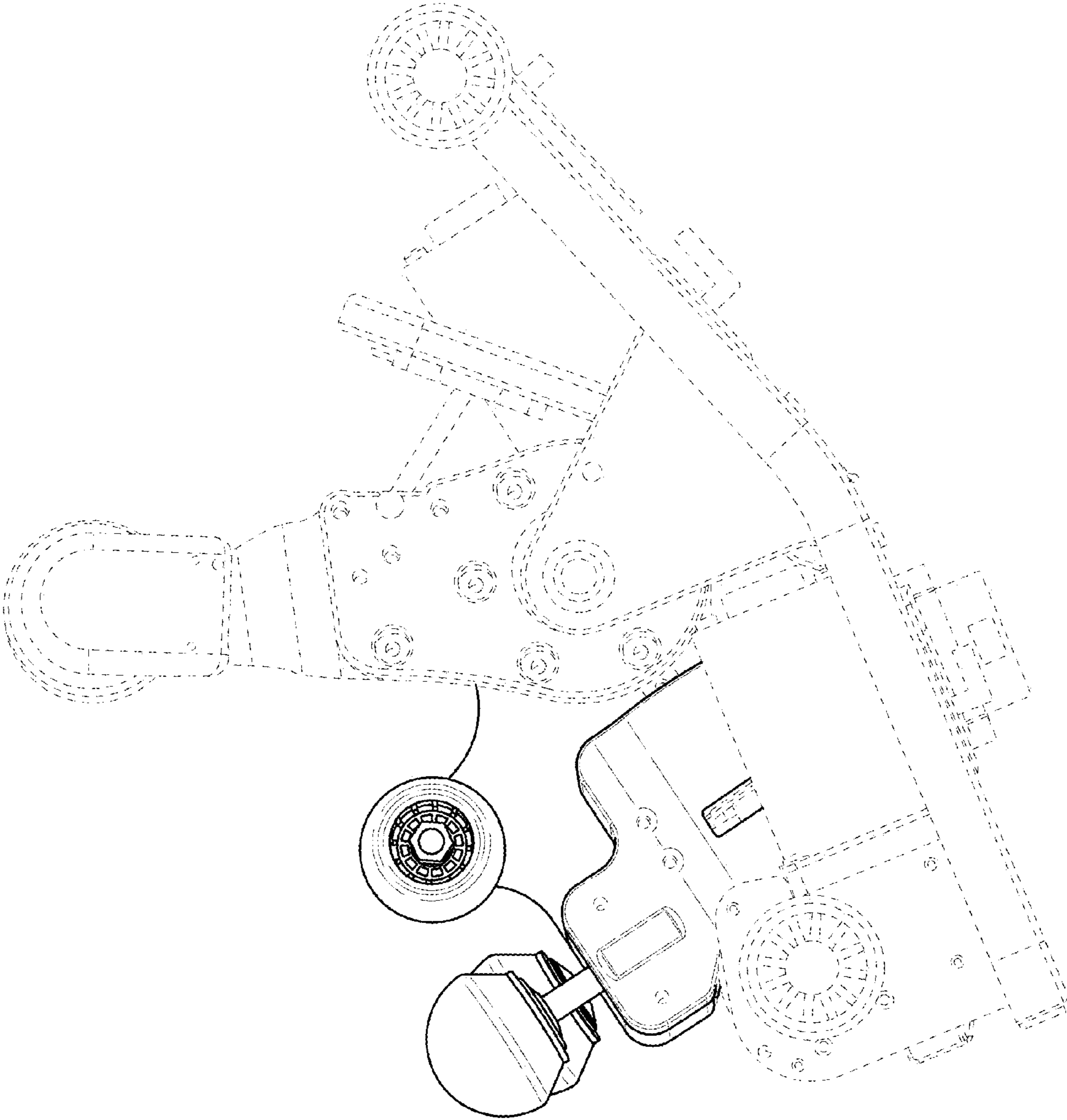


FIG. 5

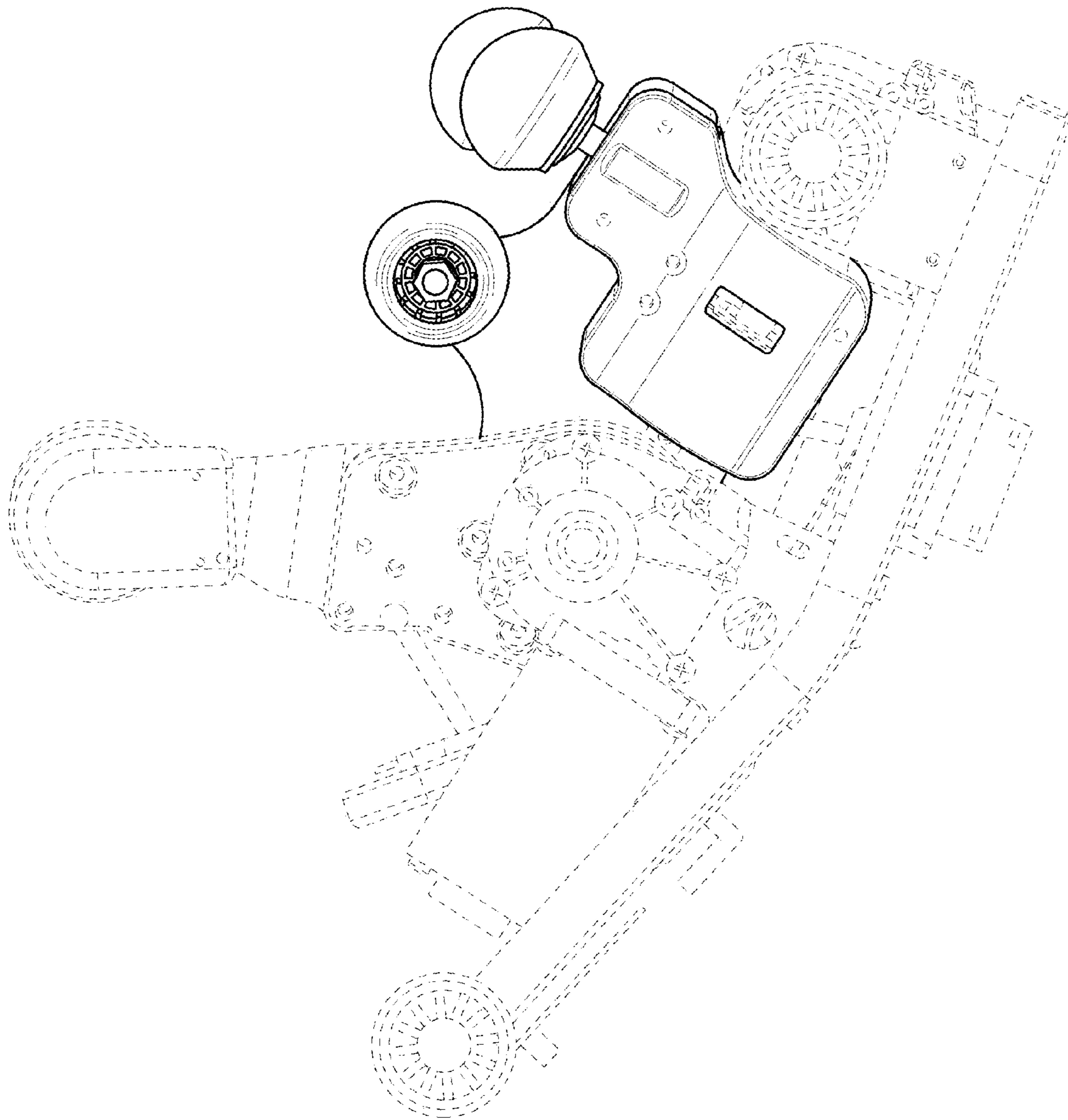


FIG. 6



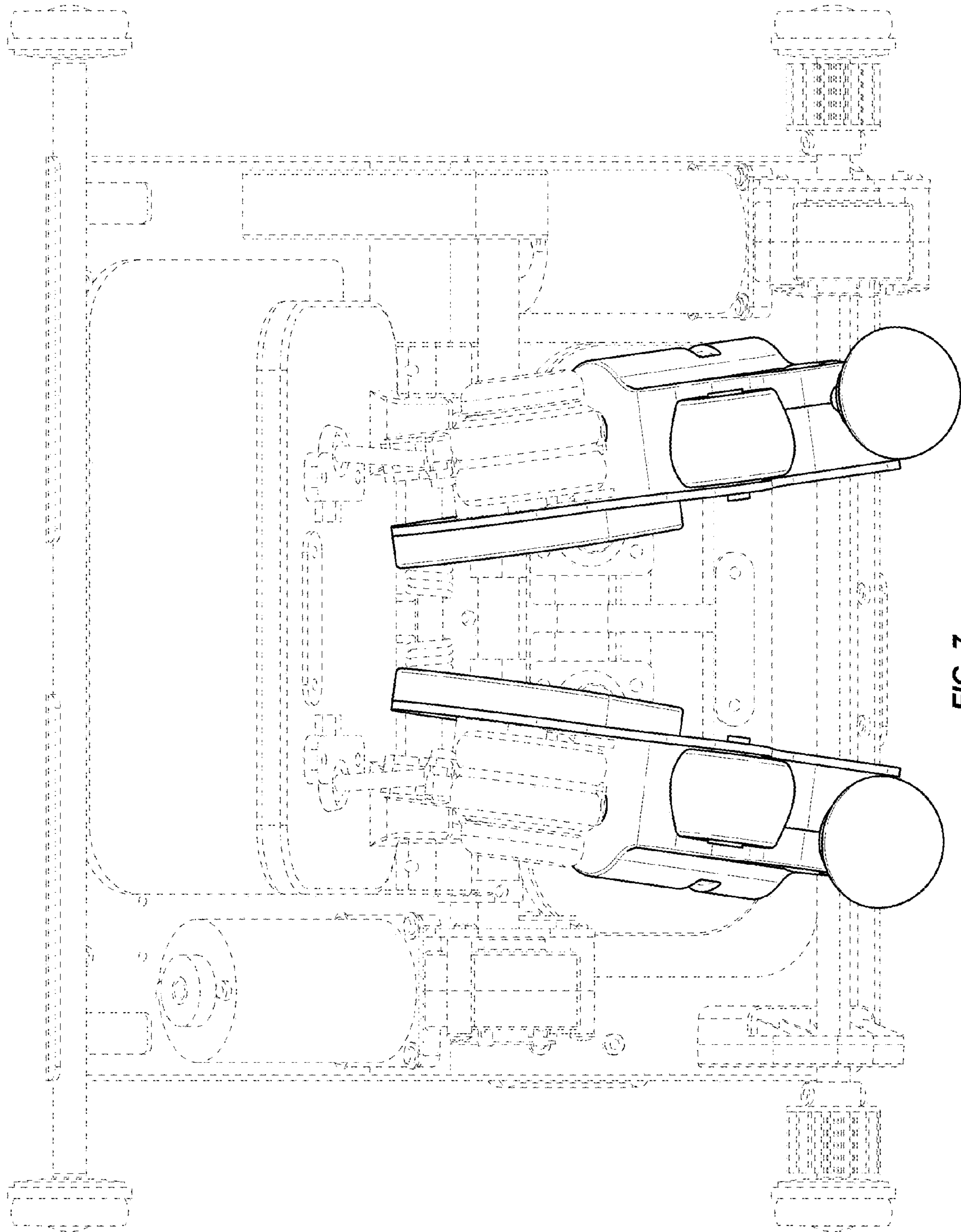


FIG. 7

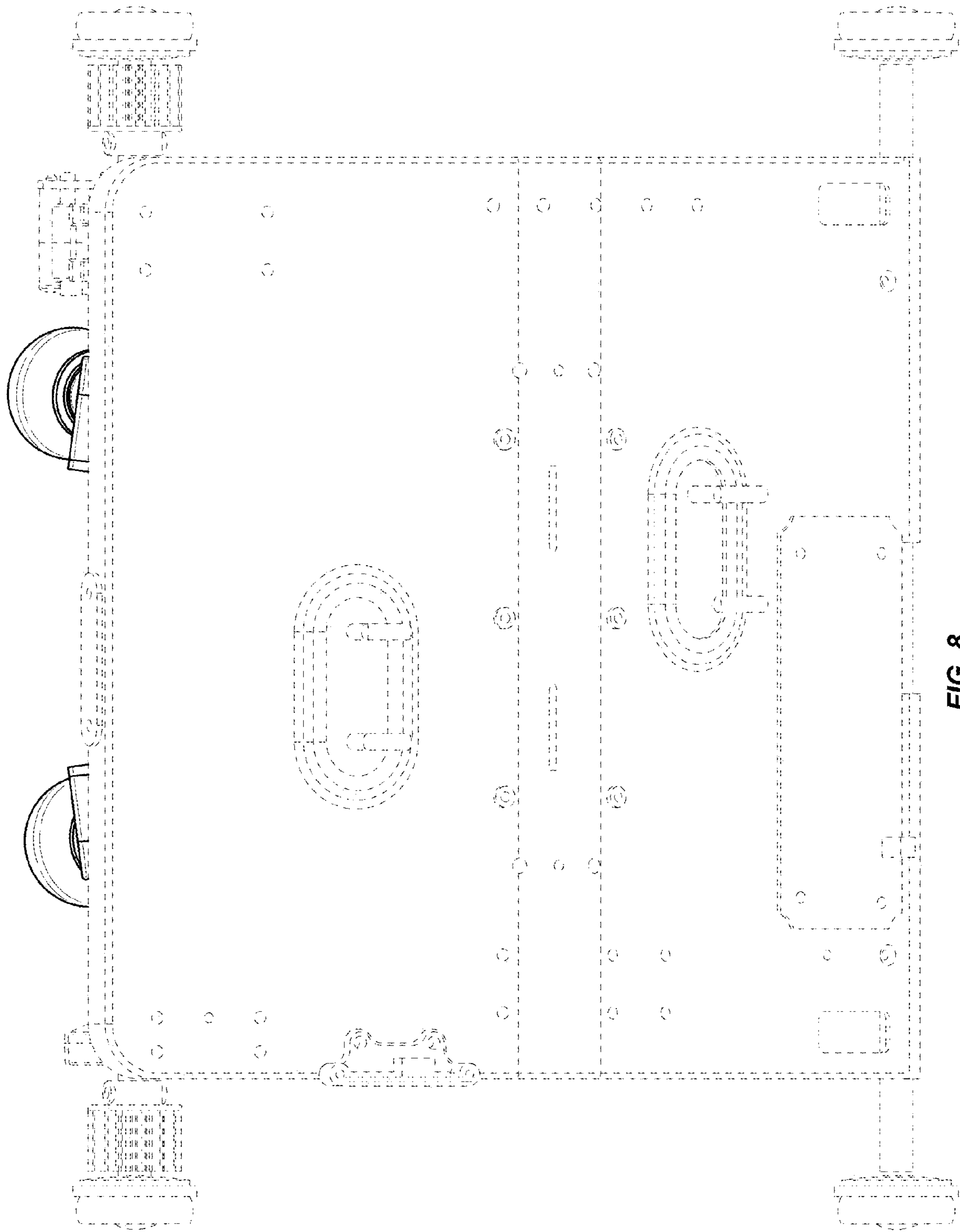


FIG. 8

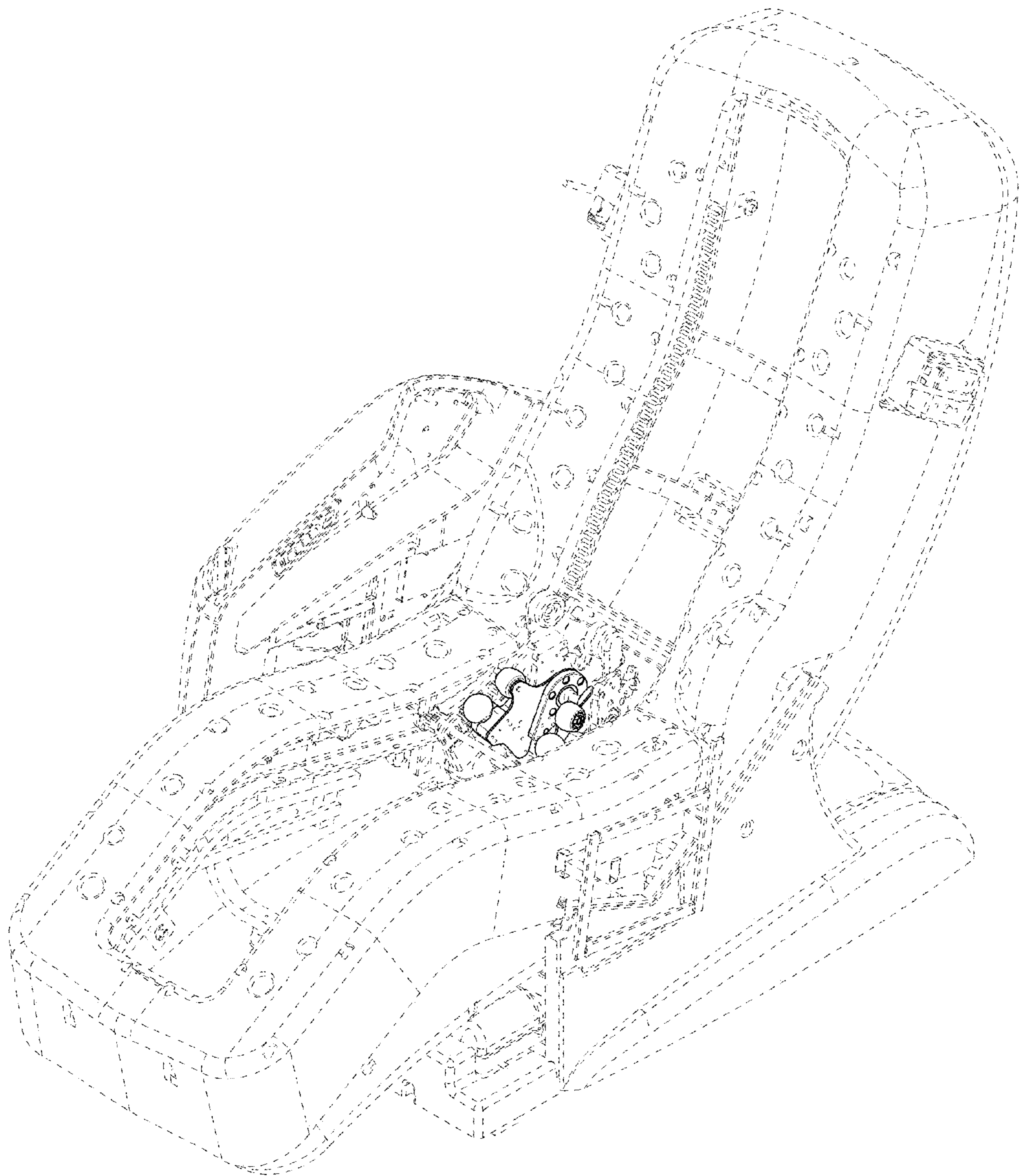


FIG. 9