



US00D988532S

(12) **United States Design Patent**
Wang

(10) **Patent No.:** **US D988,532 S**
(45) **Date of Patent:** **** Jun. 6, 2023**

(54) **SEX TOY**

OTHER PUBLICATIONS

(71) Applicant: **Shenzhen Yisheng Technology Development Co., Ltd.**, Shenzhen (CN)

(72) Inventor: **Hao Wang**, Shenzhen (CN)

(**) Term: **15 Years**

(21) Appl. No.: **29/853,495**

(22) Filed: **Sep. 16, 2022**

(51) **LOC (14) Cl.** **28-03**

(52) **U.S. Cl.**
USPC **D24/215**

(58) **Field of Classification Search**

USPC D24/215, 200, 211, 212, 213, 214, 133,
D24/107, 231, 184, 209, 206, 104, 108,
D24/121, 141; D21/712
CPC A61H 19/00; A61H 19/30; A61H 19/32;
A61H 19/34; A61H 19/40; A61H 19/44;
A61H 19/50; A61H 21/00; A61H
2205/087

See application file for complete search history.

(56) **References Cited**

U.S. PATENT DOCUMENTS

| | | | | | |
|------------|---|---------|---------------|-------|---------|
| D369,414 S | * | 4/1996 | Lee | | D24/211 |
| D392,844 S | * | 3/1998 | Todorya | | D7/606 |
| D498,802 S | * | 11/2004 | Chang | | D21/712 |
| D587,968 S | * | 3/2009 | Campbell | | D7/901 |
| D711,690 S | * | 8/2014 | Sutton | | D7/625 |
| D724,902 S | * | 3/2015 | Dickerson | | D7/625 |
| D789,748 S | * | 6/2017 | Peters | | D7/564 |
| D790,282 S | * | 6/2017 | Price | | D7/564 |
| D895,134 S | * | 9/2020 | Qiu | | D24/215 |
| D912,467 S | * | 3/2021 | Cramton | | D7/901 |
| D936,854 S | | 11/2021 | Dumler et al. | | |
| D938,606 S | | 12/2021 | Dumler et al. | | |
| D942,636 S | | 2/2022 | Cheung | | |

Hott Products—Fantasy Football Stroker. Date: Nov. 22, 2012. [online]. [Site visited Nov. 28, 2022]. Available from Internet URL: <https://www.amazon.com/dp/B0094VEJQ2> (Year: 2012).*

Orraya—Football Shaped Pocket Male Masturbator. Date: Jun. 19, 2022. [online]. [Site visited Dec. 12, 2022]. Available from Internet URL: <https://www.amazon.com/dp/B0B4G8Z61C/> (Year: 2022).*
Massagers. (Design—© Questel) orbit.com. [Online PDF compilation of references] 9 pgs. Print Dates Range Sep. 5, 2017-Aug. 2, 2022 [Retrieved Dec. 12, 2022] <https://www.orbit.com/export/UCZAH96B/pdf4/843b45a4-5ddc-48d5-a5c0-03ca2cc24256-160358.pdf> (Year: 2022).*

* cited by examiner

Primary Examiner — Eliza Z Harvey

Assistant Examiner — Landon Thomas Cassell

(74) *Attorney, Agent, or Firm* — Rumi Ranjit Kanakia

(57) **CLAIM**

The ornamental design for a sex toy, as shown and described.

DESCRIPTION

FIG. 1 is a first perspective view of a sex toy showing my new design;

FIG. 2 is a second perspective view thereof;

FIG. 3 is a front view thereof;

FIG. 4 is a back view thereof;

FIG. 5 is a left side view thereof;

FIG. 6 is a right side view thereof;

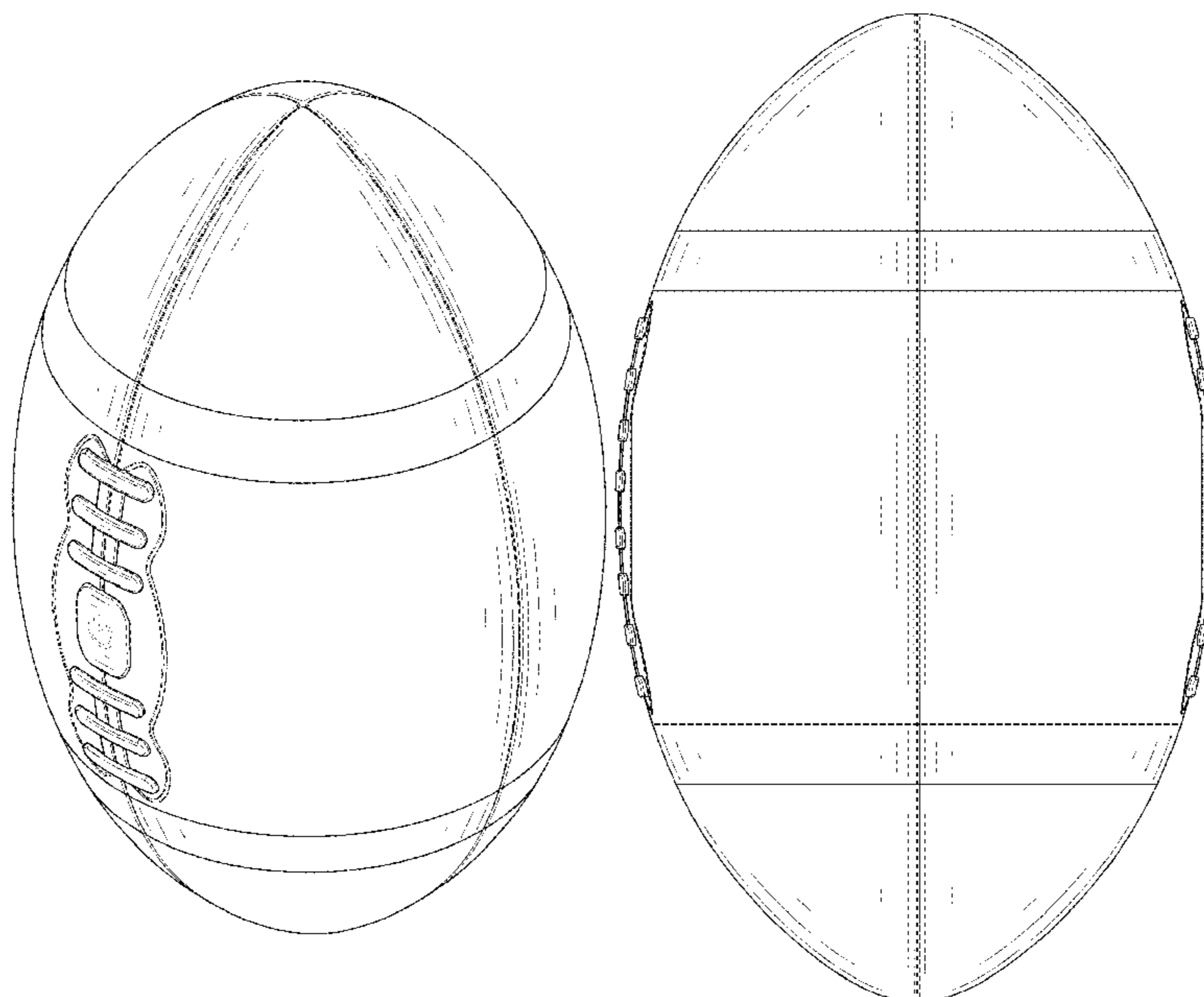
FIG. 7 is a top view thereof;

FIG. 8 is a bottom view thereof; and,

FIG. 9 is an exploded perspective view thereof.

The broken lines shown in the drawings depict portions of the sex toy that form no part of the claimed design.

1 Claim, 9 Drawing Sheets



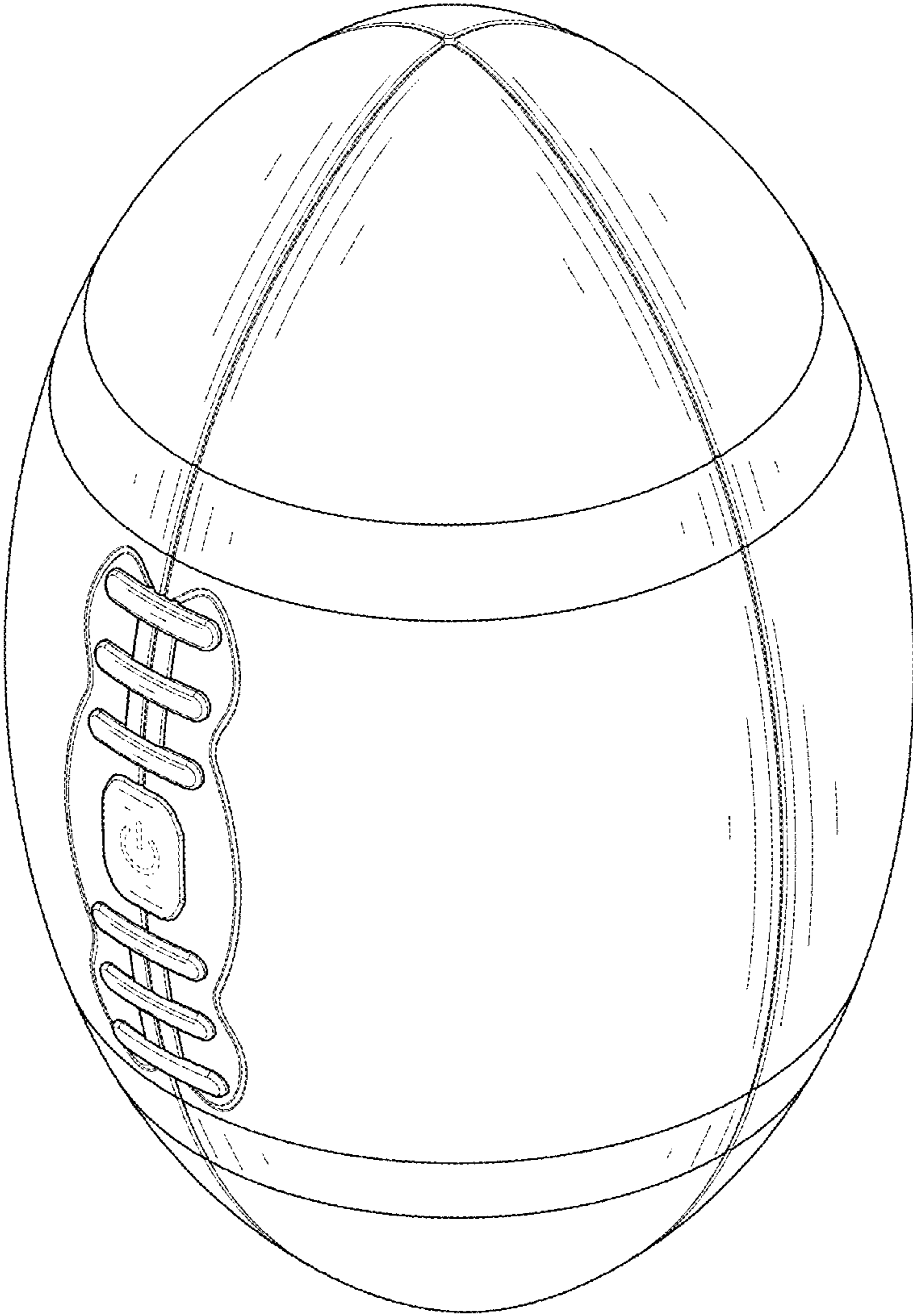


FIG. 1

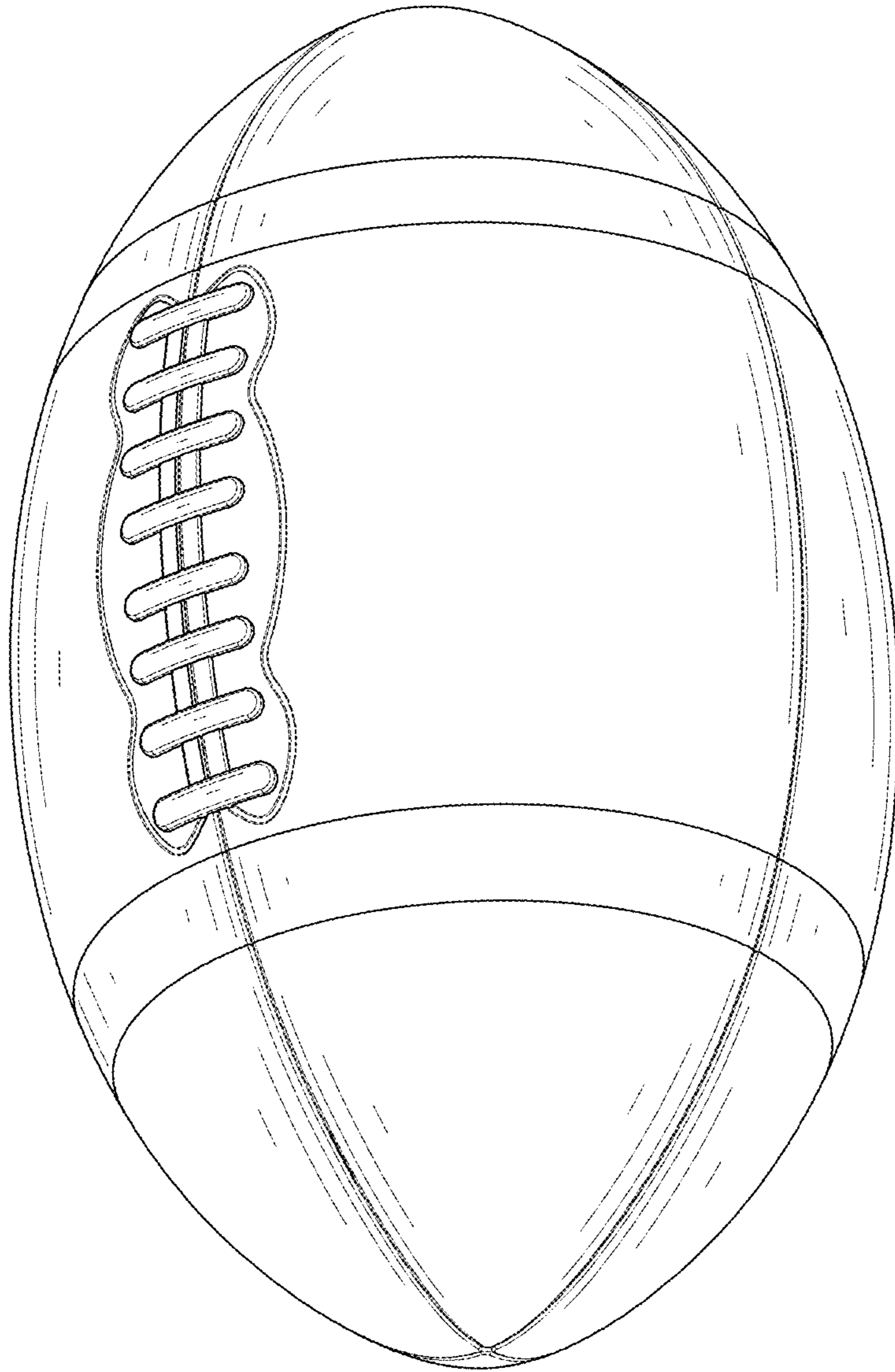


FIG. 2

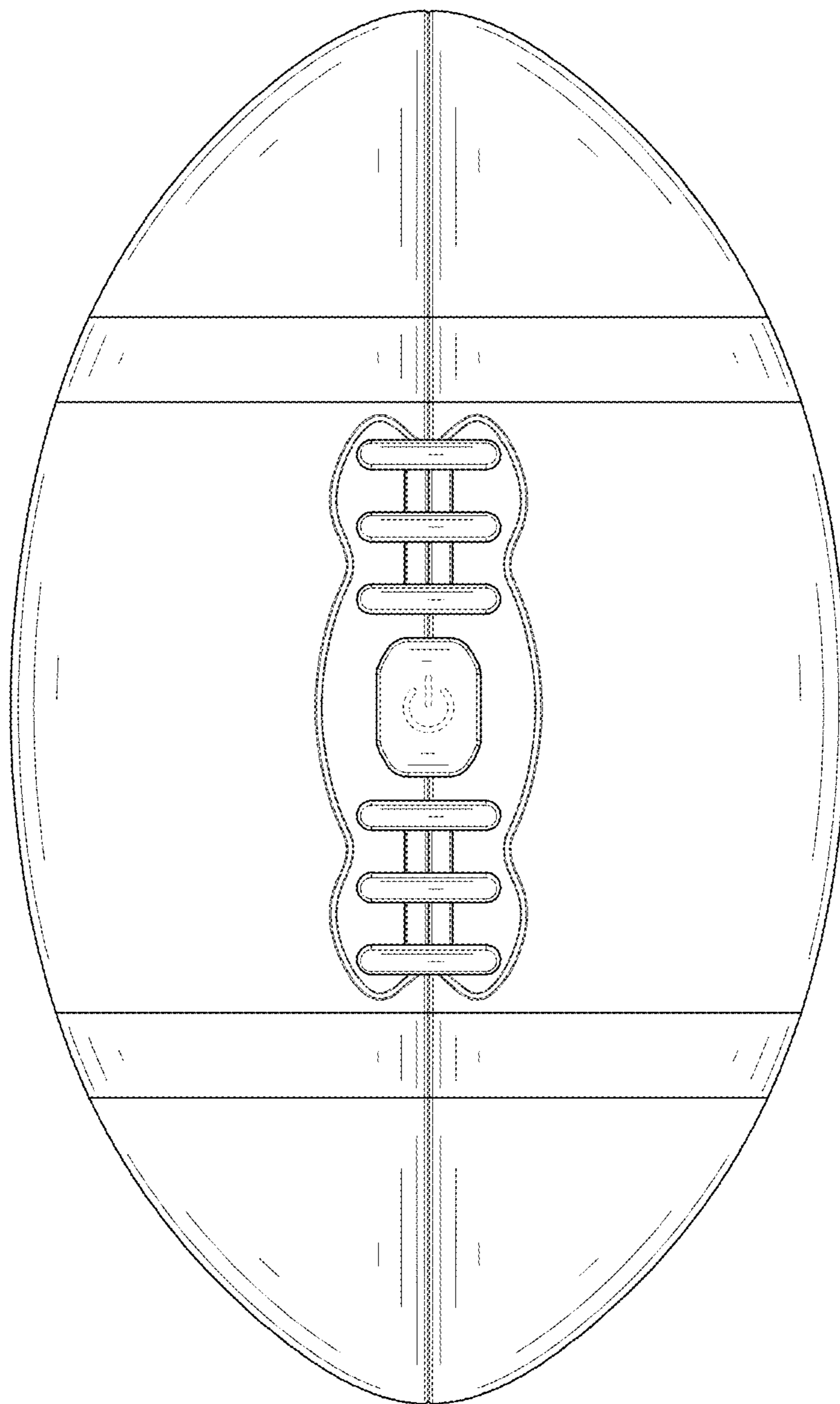


FIG. 3

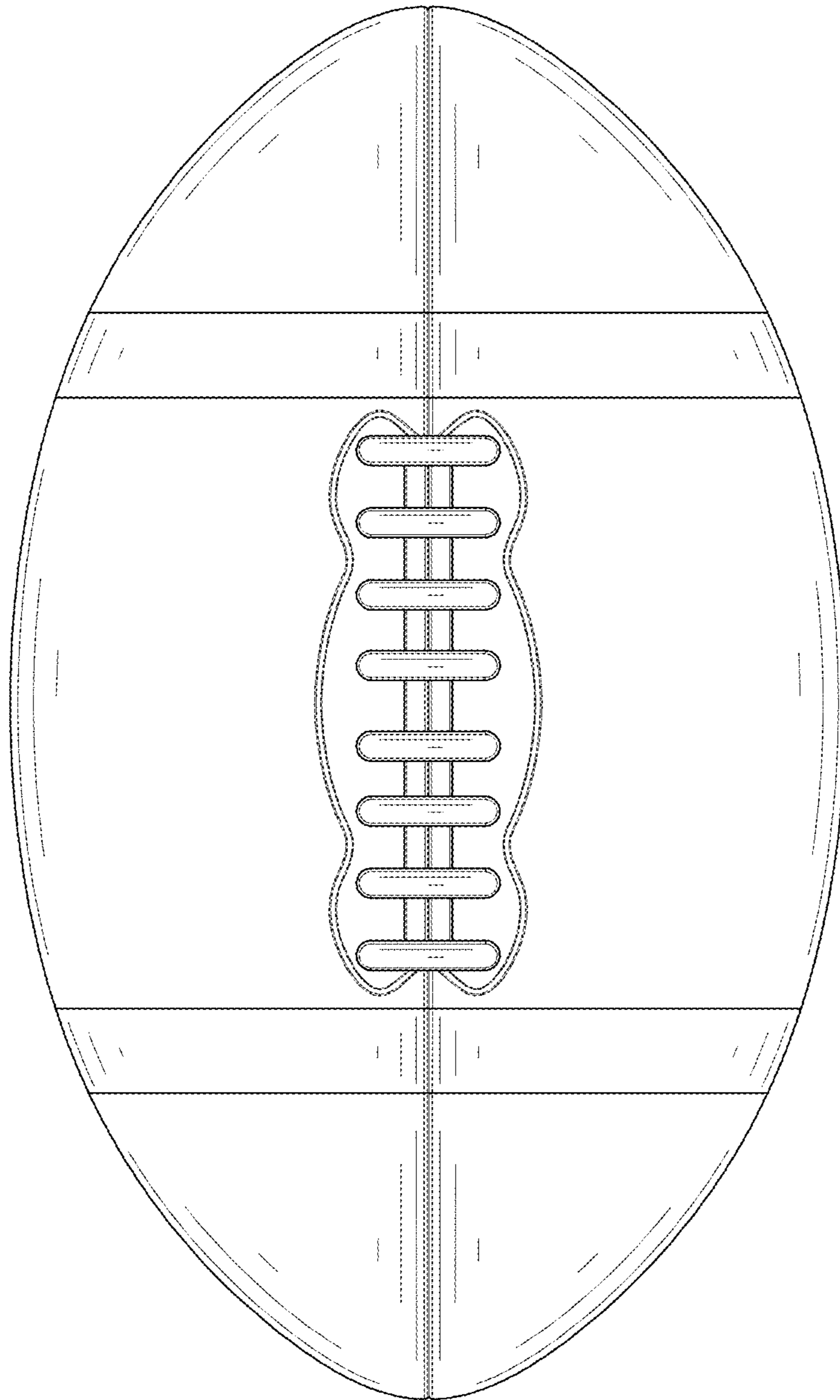


FIG. 4

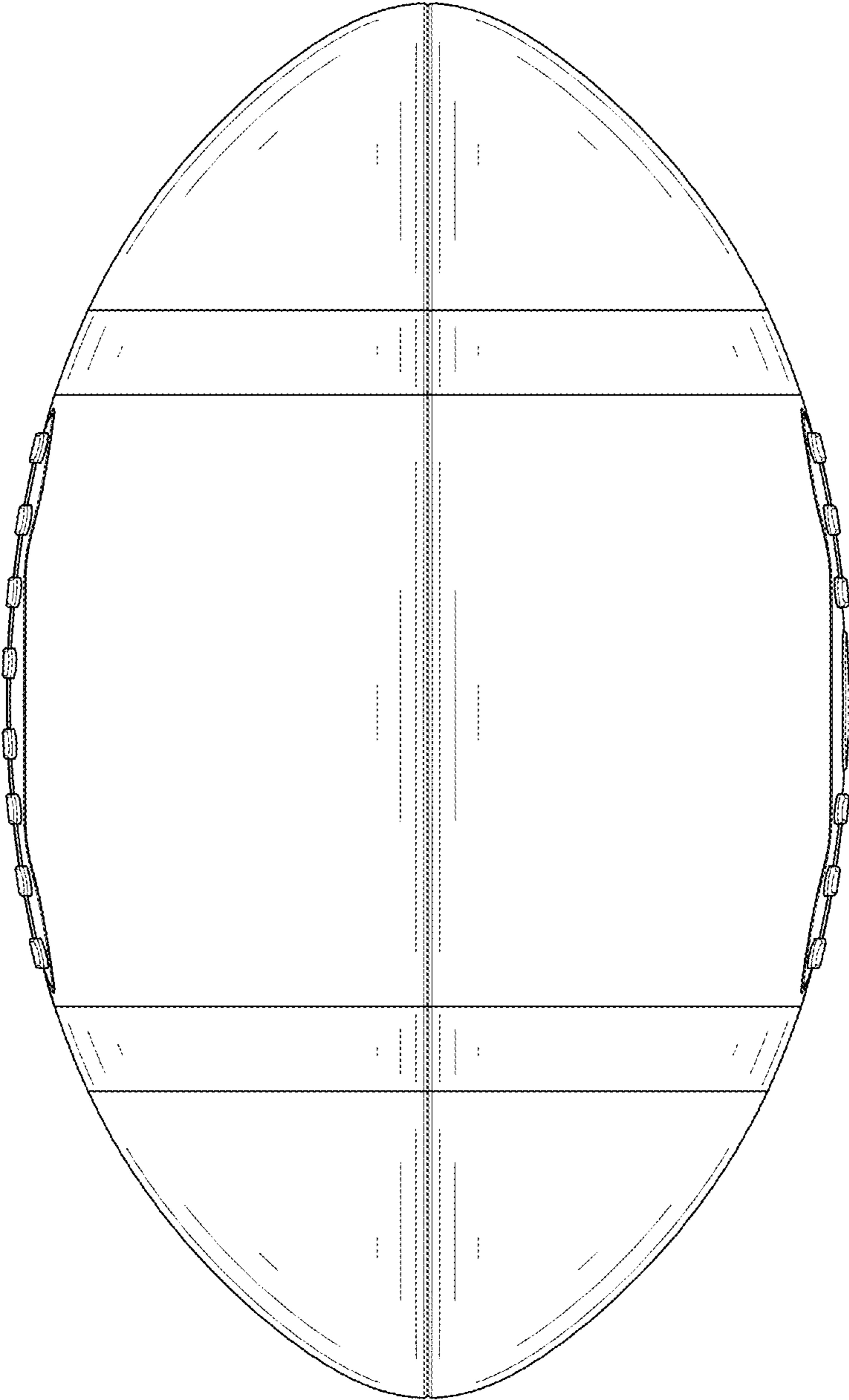


FIG. 5

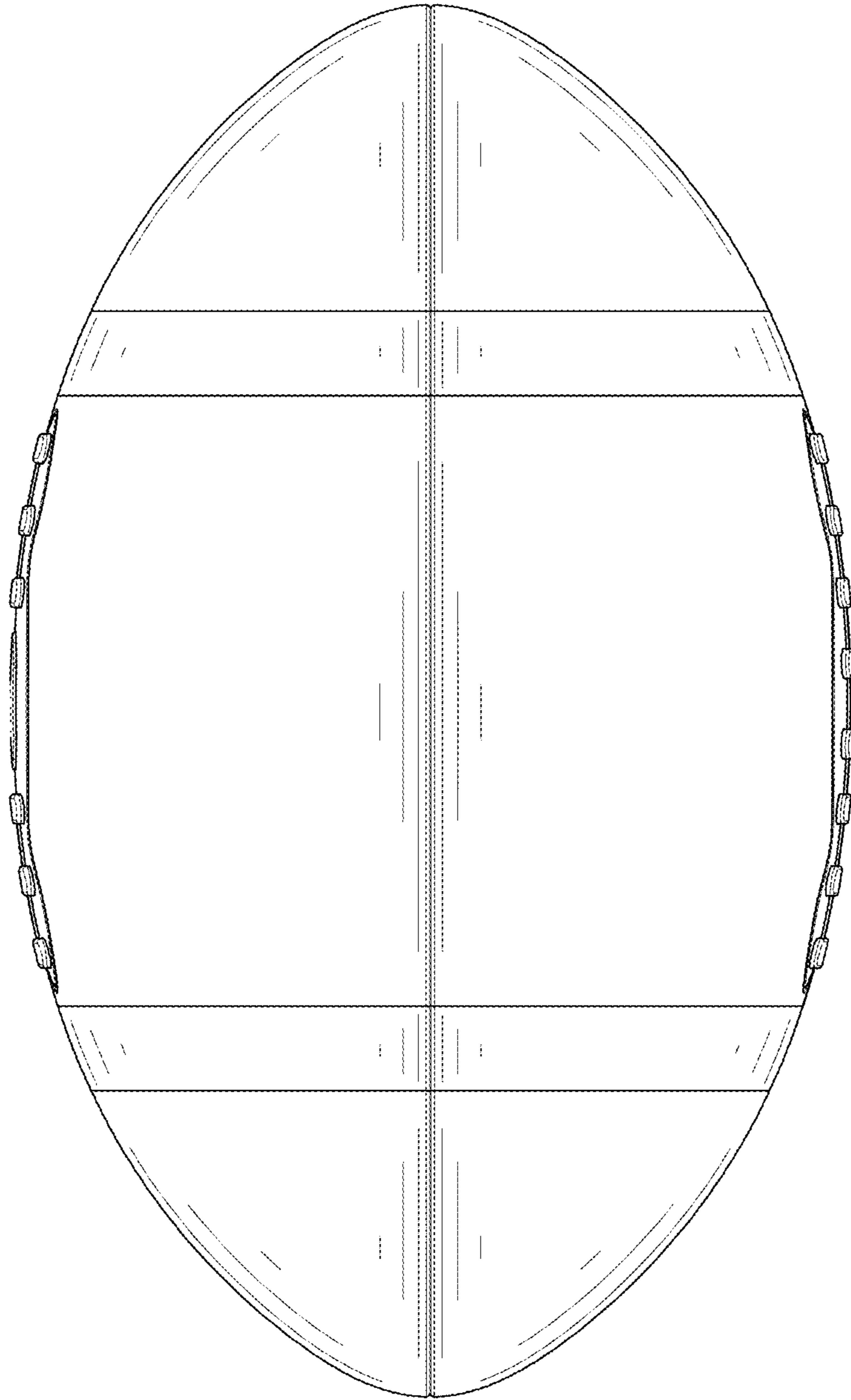


FIG. 6

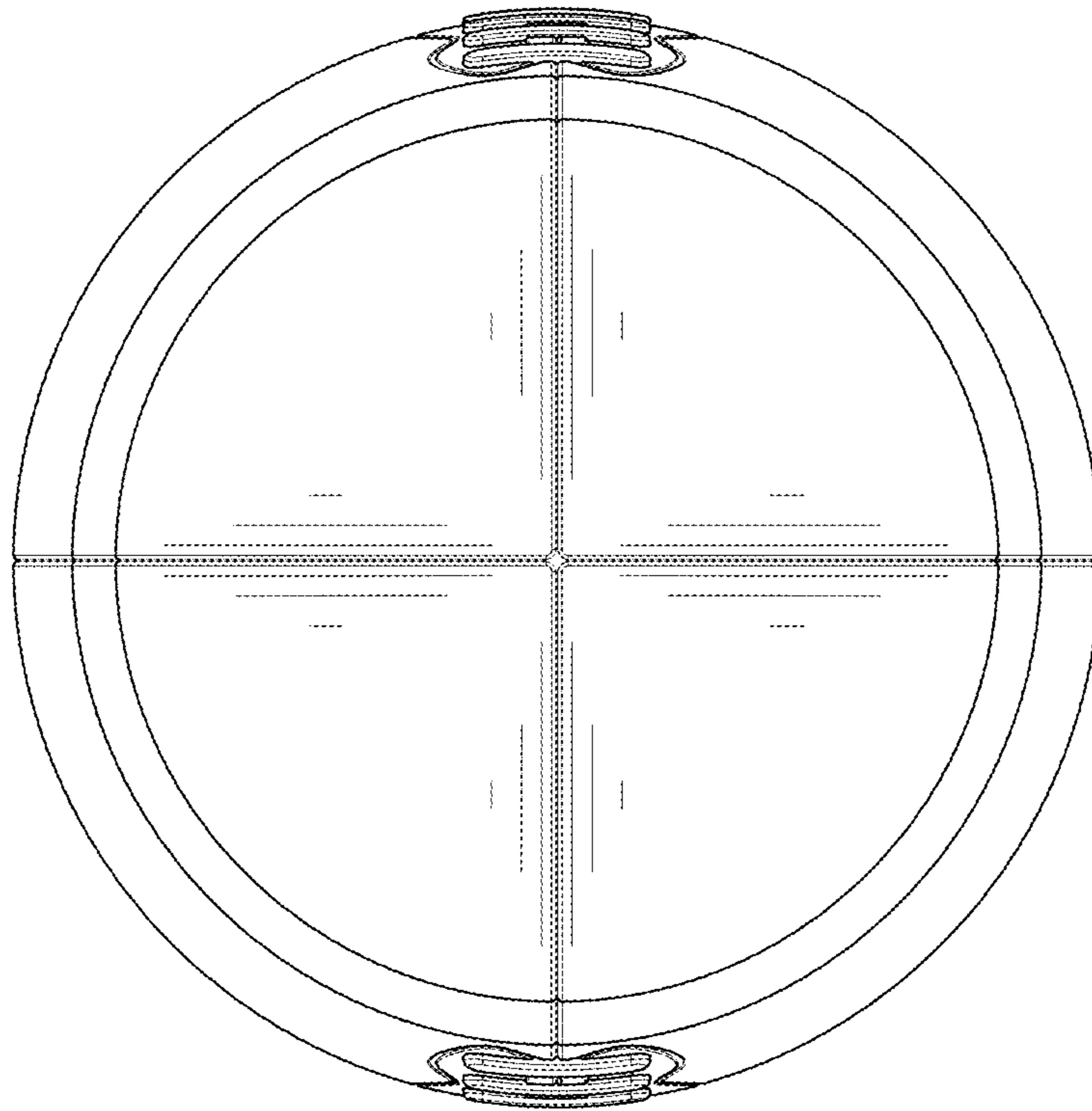


FIG. 7

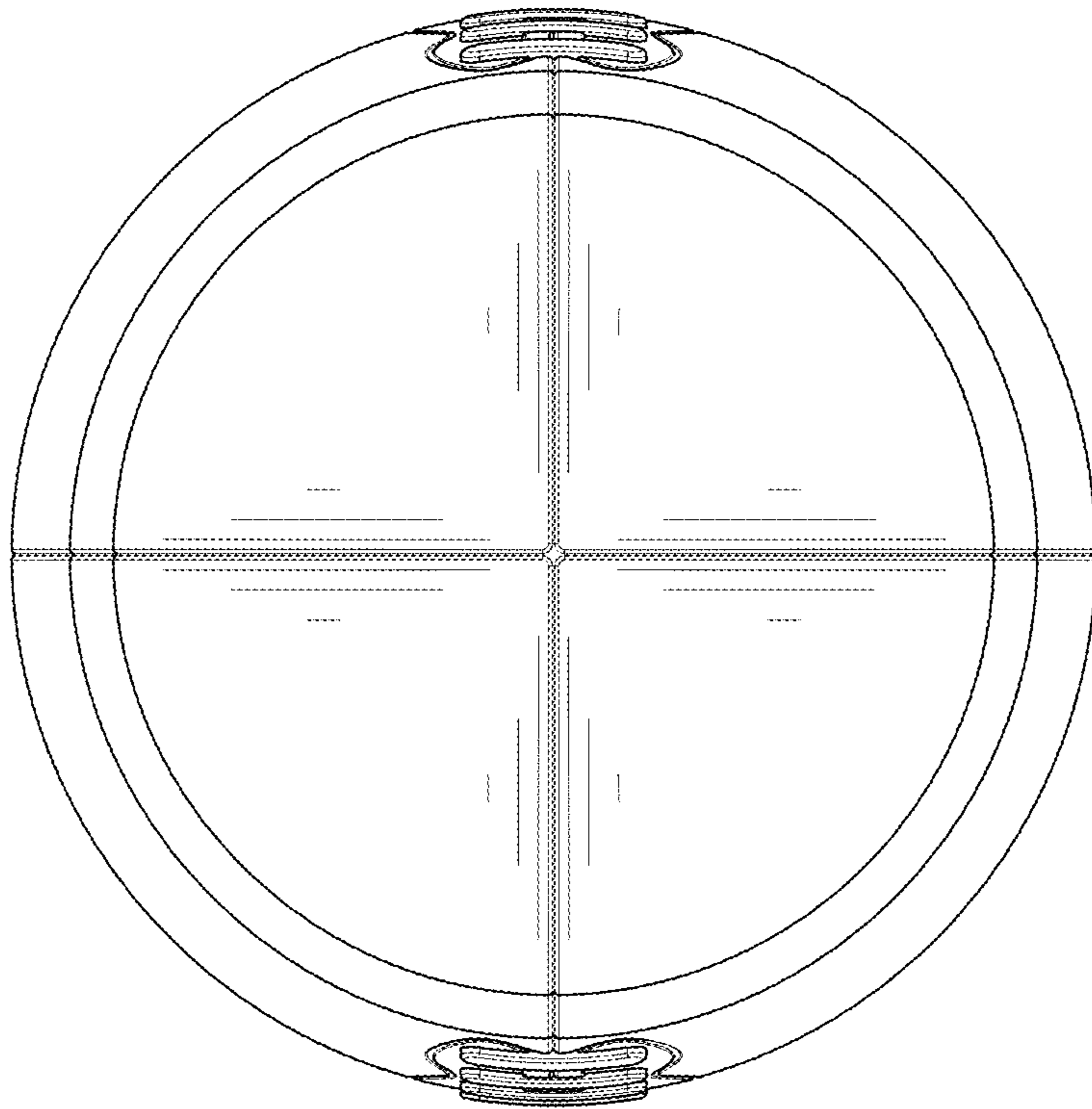


FIG. 8

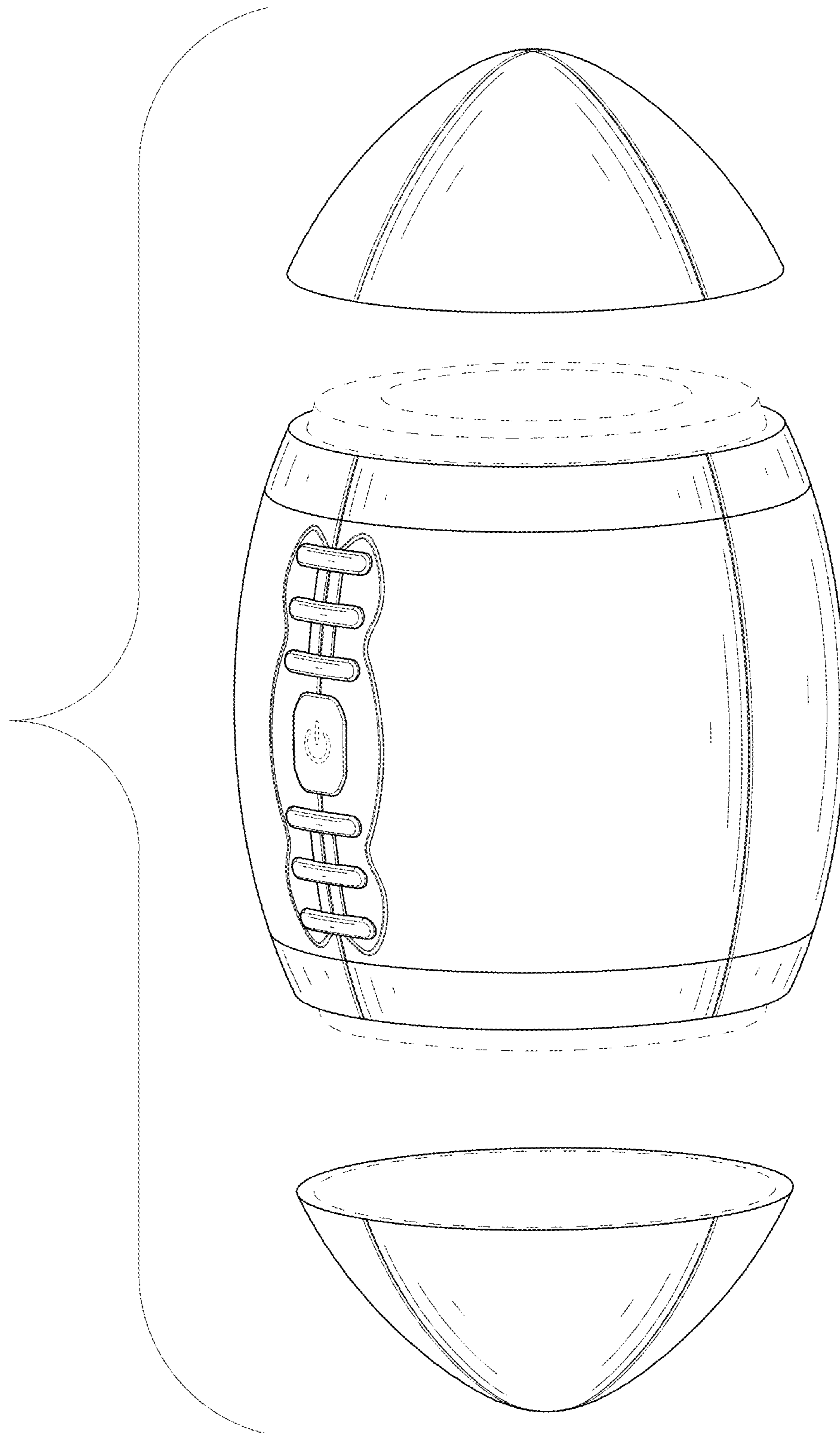


FIG. 9