



US00D988530S

(12) **United States Design Patent** (10) **Patent No.:** **US D988,530 S**
Wersland et al. (45) **Date of Patent:** **** Jun. 6, 2023**

(54) **MESSAGE ATTACHMENT**

D600,177 S 9/2009 Komiyama
D729,063 S 5/2015 Koop
D766,452 S * 9/2016 Ho D24/200
(Continued)

(71) Applicant: **Therabody, Inc.**, Los Angeles, CA
(US)

(72) Inventors: **Jason Wersland**, Manhattan Beach, CA
(US); **Benjamin Nazarian**, Beverly
Hills, CA (US); **Jaime Sanchez Solana**,
Los Angeles, CA (US); **Eduardo**
Merino, Beverly Hills, CA (US)

OTHER PUBLICATIONS

Therabody, "TheraFace PRO Percussive Attachment 3 Pack", Access
Date: Jan. 16, 2023. <https://www.therabody.com/us/en-us/theraface-pro-percussive-attachment-3-pack.html?cgid=therabody-recovery-devices#start=1> (Year: 2023).*

(Continued)

(73) Assignee: **Therabody, Inc.**, Los Angeles, CA
(US)

Primary Examiner — Michael A Maharajh

(**) Term: **15 Years**

(74) *Attorney, Agent, or Firm* — Sterne, Kessler,
Goldstein & Fox P.L.L.C.

(21) Appl. No.: **29/802,189**

(57) **CLAIM**

(22) Filed: **Aug. 3, 2021**

The ornamental design for a massage attachment, as shown
and described.

Related U.S. Application Data

DESCRIPTION

(62) Division of application No. 29/726,330, filed on Mar.
2, 2020, now Pat. No. Des. 927,717.

(51) **LOC (14) Cl.** **24-01**

(52) **U.S. Cl.**
USPC **D24/215**

(58) **Field of Classification Search**
USPC D24/200, 209, 211, 212, 213, 214, 215;
D7/393; D8/307, 310, 378; D9/435, 439
CPC A61H 23/006; A61H 2015/0042; A61H
37/00; A61H 2201/0165
See application file for complete search history.

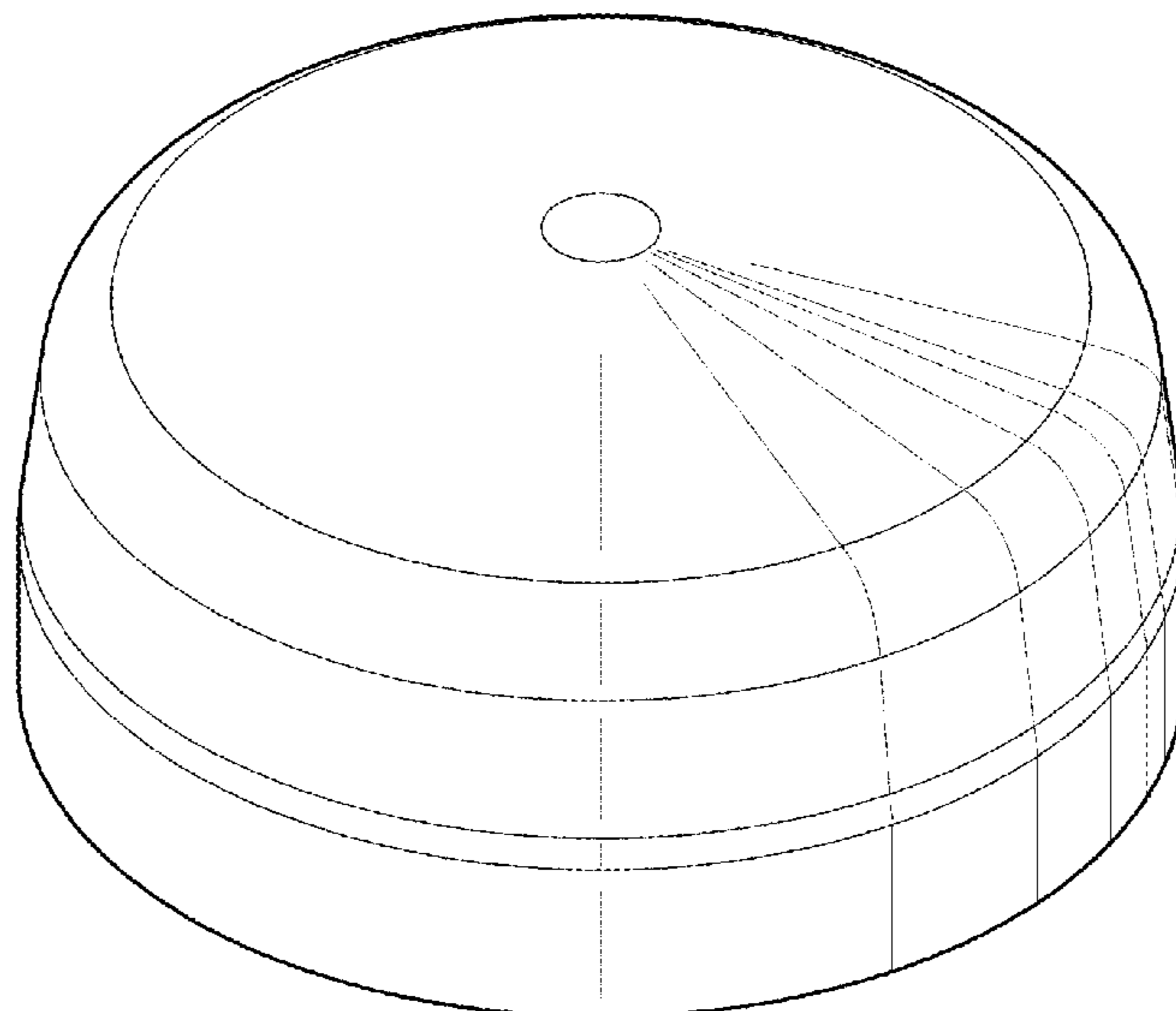
FIG. 1 is a top perspective view of a massage attachment,
showing our new design;
FIG. 2 is a top plan view thereof;
FIG. 3 is a bottom plan view thereof;
FIG. 4 is a front elevational view, the rear, right side and left
side elevational views being mirror images thereof;
FIG. 5 is a bottom perspective view thereof;
FIG. 6 is a top perspective view of a massage attachment,
showing our new design;
FIG. 7 is a top plan view thereof;
FIG. 8 is a bottom plan view thereof;
FIG. 9 is a front elevational view, the rear, right side and left
side elevational views being mirror images thereof; and,
FIG. 10 is a bottom perspective view thereof.
The broken lines shown in the figures are for the purpose of
illustrating portions of the massage attachment that form no
part of the claimed design.

(56) **References Cited**

U.S. PATENT DOCUMENTS

D285,116 S 8/1986 Hoff
D357,322 S 4/1995 Matthews
D444,882 S 7/2001 Chen
D444,883 S 7/2001 Chen
D580,756 S 11/2008 Seebold
D592,036 S 5/2009 Domin

1 Claim, 8 Drawing Sheets



(56)

References Cited

U.S. PATENT DOCUMENTS

D768,305 S * 10/2016 Ho D24/200
 D771,468 S 11/2016 Gallagher
 D774,655 S * 12/2016 Ho D24/200
 D775,362 S * 12/2016 Ho D24/200
 D791,958 S 7/2017 Ho
 D825,067 S 8/2018 Ho
 D845,500 S 4/2019 Wersland
 D849,260 S 5/2019 Wersland
 D849,261 S 5/2019 Wersland
 D850,639 S 6/2019 Wersland
 D850,640 S 6/2019 Wersland
 D859,680 S 9/2019 Wersland
 D861,182 S 9/2019 Wersland
 D861,260 S 9/2019 Cunniff
 D872,295 S 1/2020 Friedman
 D890,942 S 7/2020 Wersland
 D890,943 S 7/2020 Wersland
 D896,393 S 9/2020 Wersland
 10,758,452 B2 9/2020 Wersland
 D899,926 S 10/2020 Guduru
 D904,636 S 12/2020 Delassus
 D910,870 S 2/2021 Marton
 D914,229 S 3/2021 Takeuchi
 D914,477 S 3/2021 Watson
 10,940,081 B2 3/2021 Nazarian

D918,404 S 5/2021 Wersland
 D918,405 S 5/2021 Wersland
 D927,716 S * 8/2021 Wersland D24/215
 D927,717 S * 8/2021 Wersland D24/215
 D952,878 S * 5/2022 Lin D24/211
 D958,654 S * 7/2022 Lupberger D9/439
 D961,795 S * 8/2022 Zhao D24/215
 2004/0260213 A1 12/2004 Szczepanski
 2019/0015294 A1 1/2019 Nazarian
 2019/0017528 A1 1/2019 Wersland
 2019/0350793 A1 11/2019 Wersland
 2020/0352821 A1 11/2020 Wersland
 2021/0085555 A1 3/2021 Davis

OTHER PUBLICATIONS

Amazon, "TheraFace PRO", Earliest Review Date: Apr. 19, 2022. https://www.amazon.com/TheraFace-Facial-Percussive-Therapy-Massage/dp/B09TZ4DPRN/ref=cm_cr_ar_p_d_product_top?ie=UTF8&th=1 (Year: 2022).*

Orbit, "Massage Attachment" Application No. 211000. Application Date: Aug. 31, 2020. www.orbit.com. (Year: 2020).*

Amazon, "Theragun Pro", May 94, 2020. https://www.amazon.com/Theragun-PRO-Generation-Percussive-Treatment/dp/B086Z5YL9Q/ref=sr_1_5?dchild=1&keywords=theragun+pro&qid=1623157051&sr=8-5. Shown on p. 1. (Year: 2020).

* cited by examiner

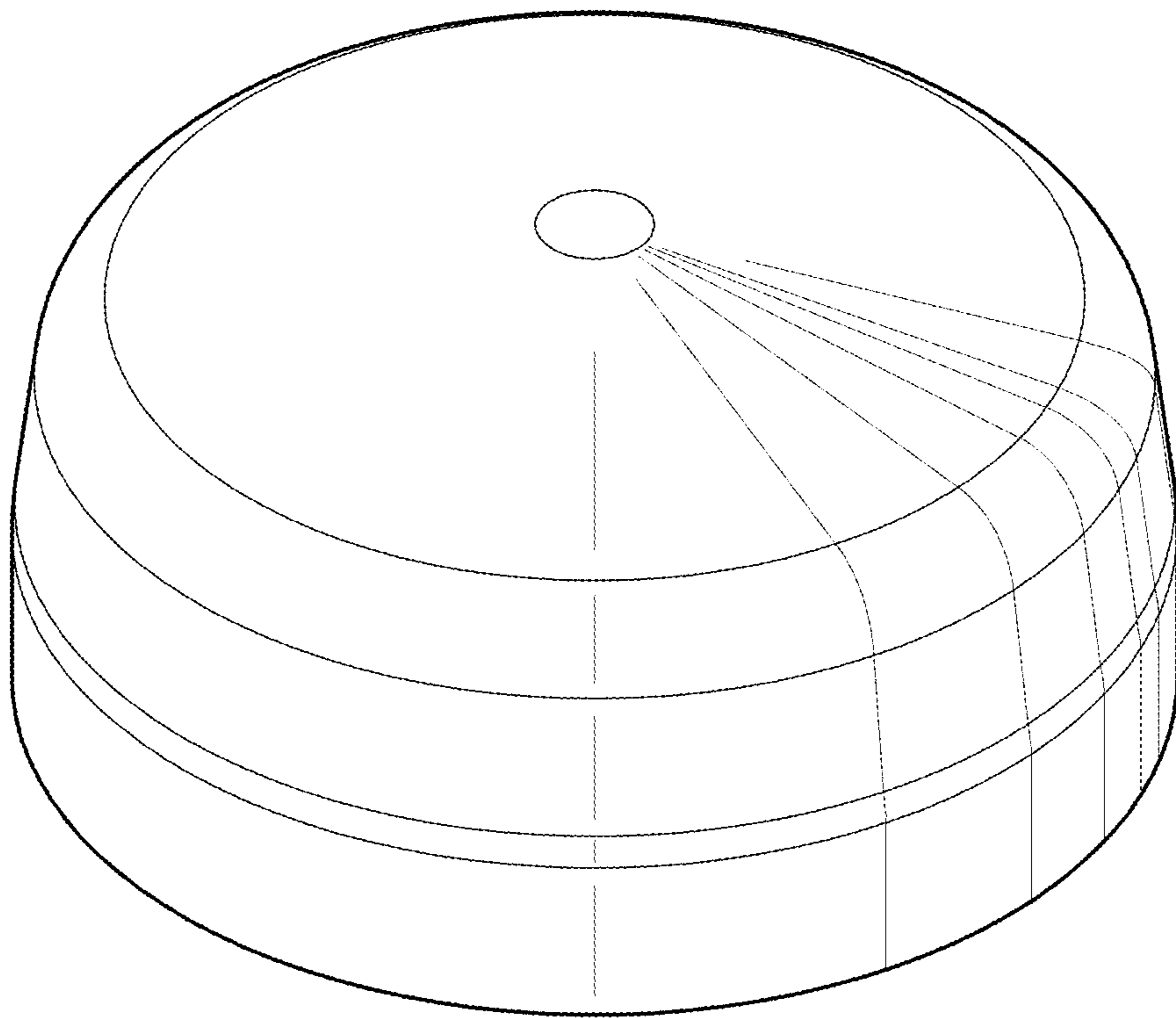


FIG. 1

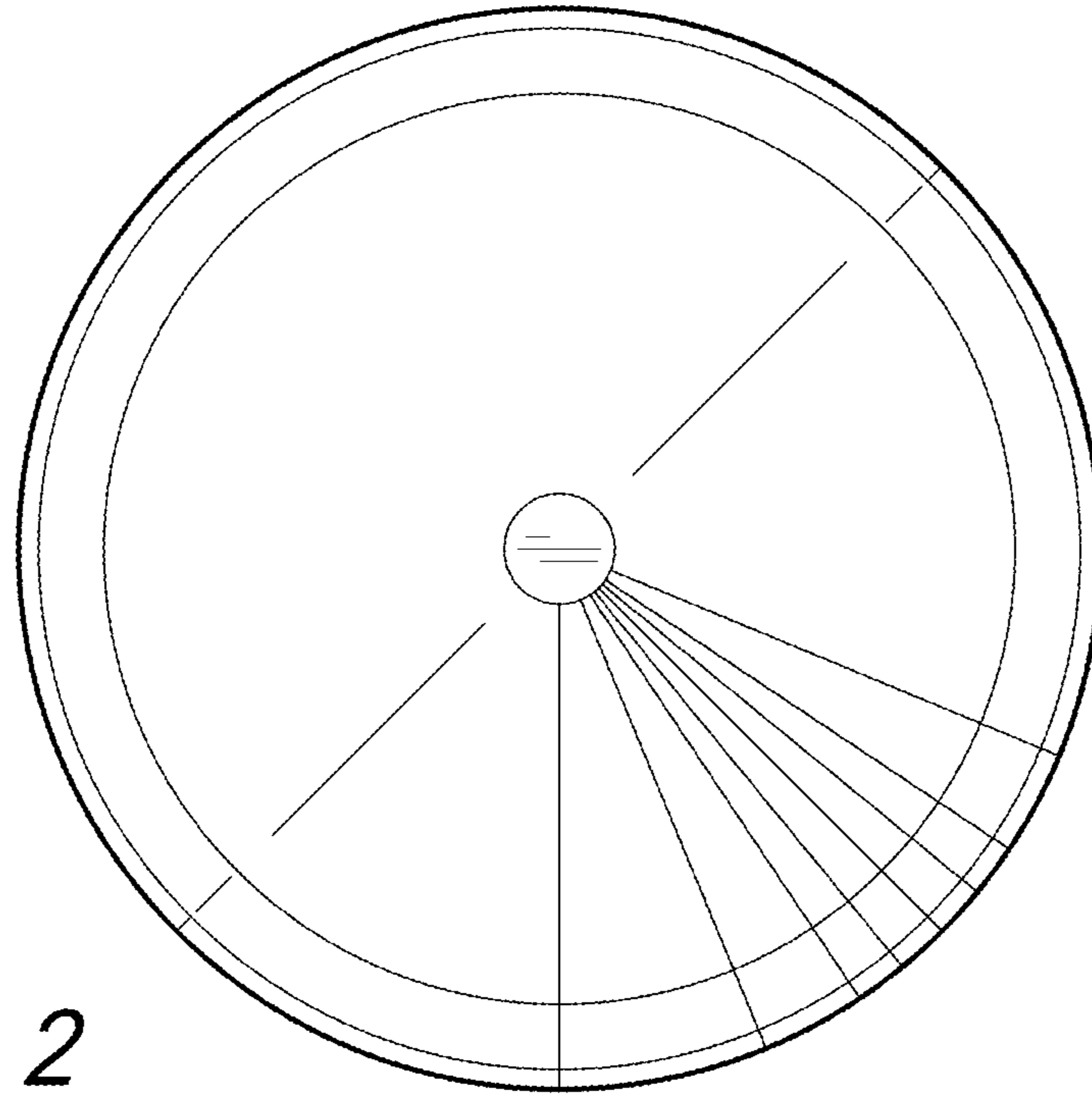


FIG. 2

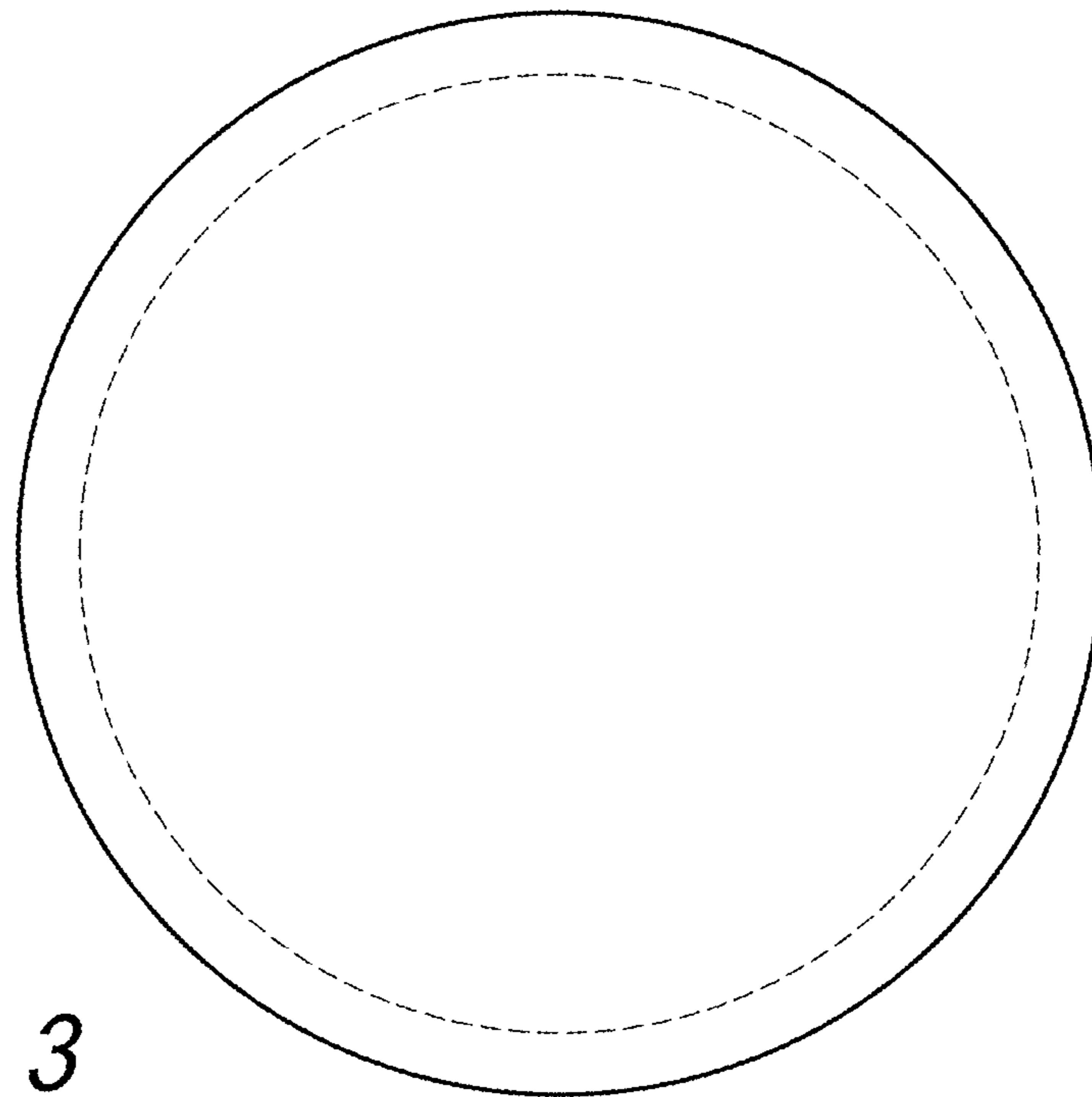


FIG. 3

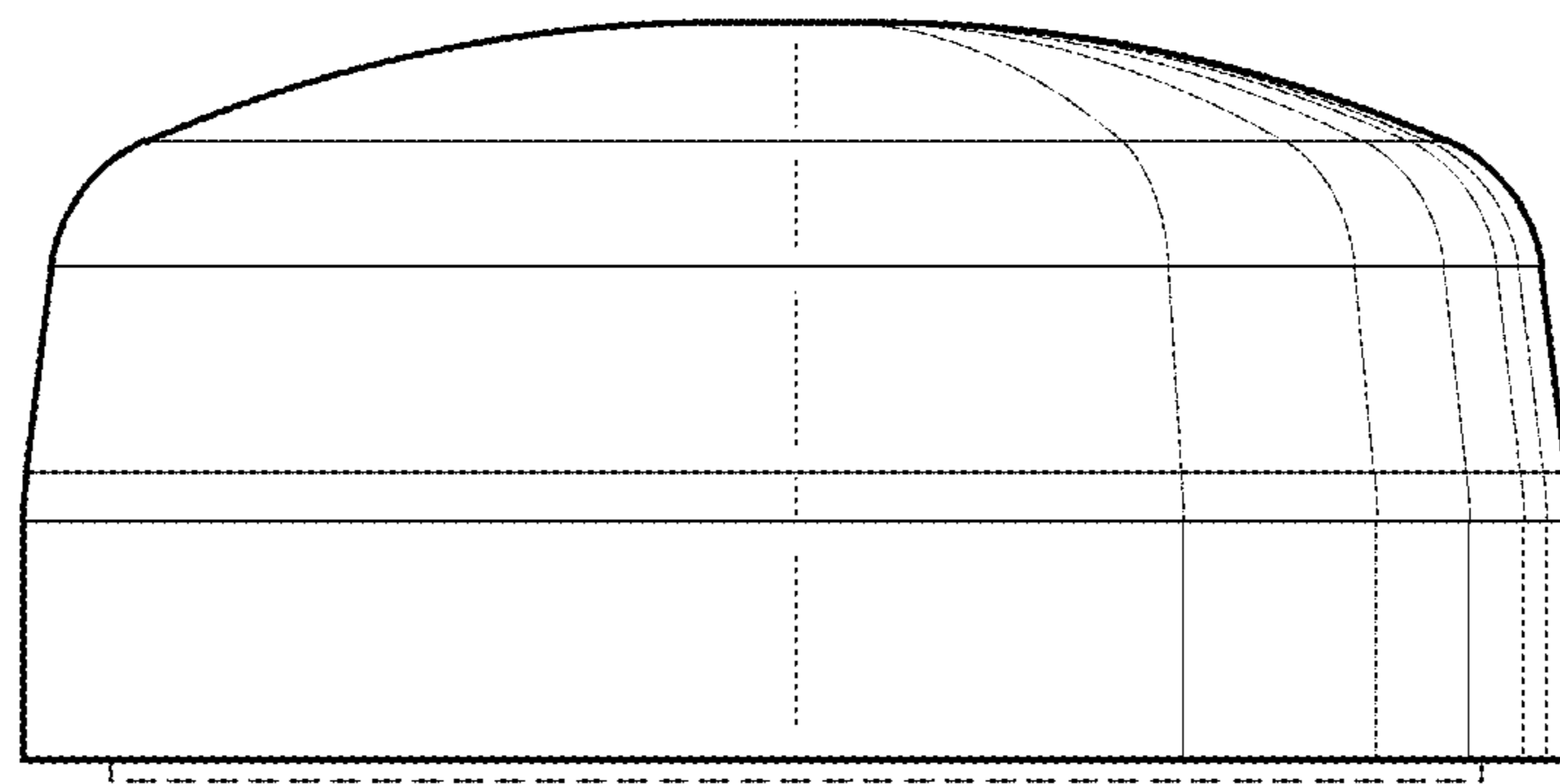


FIG. 4

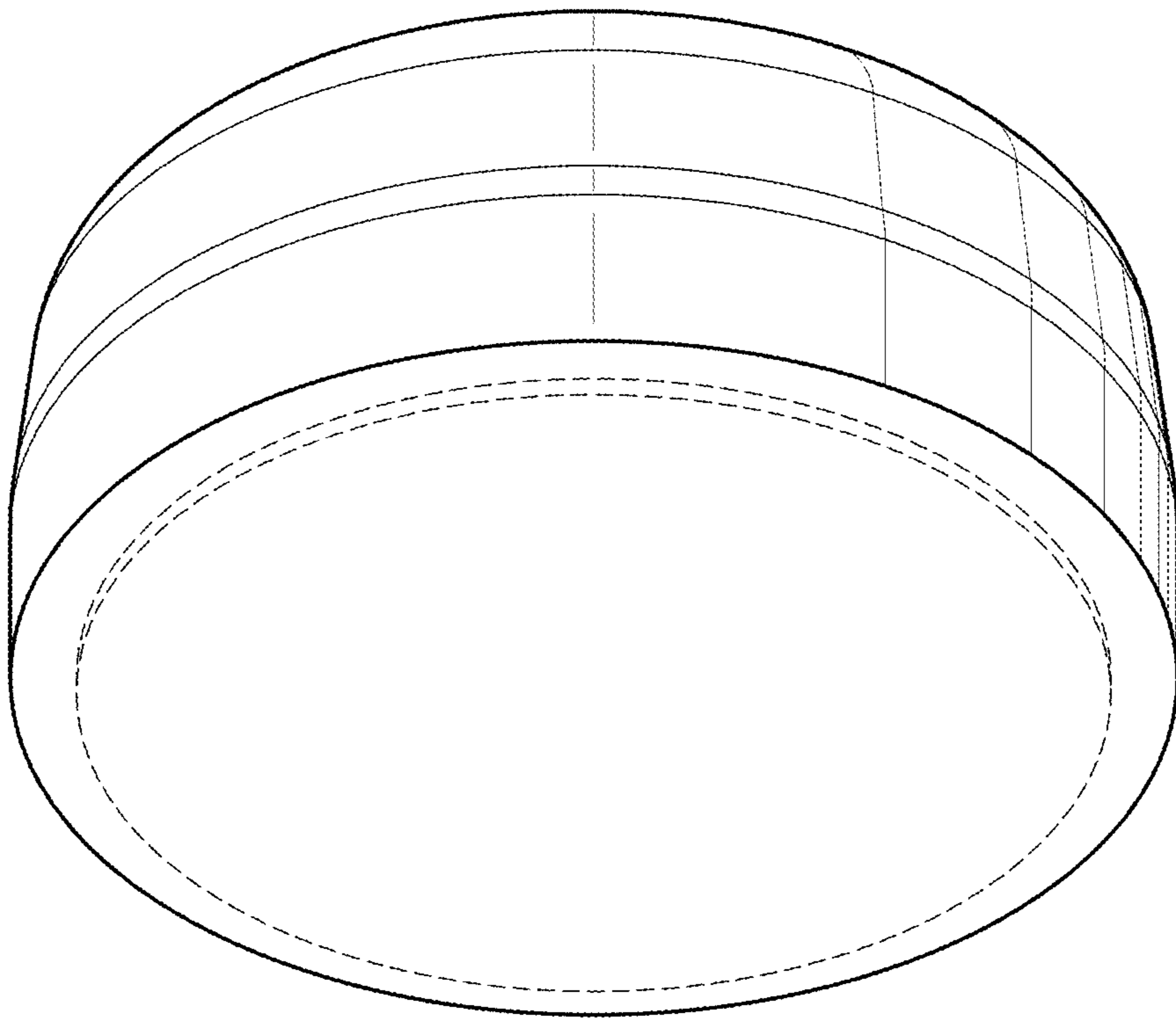


FIG. 5

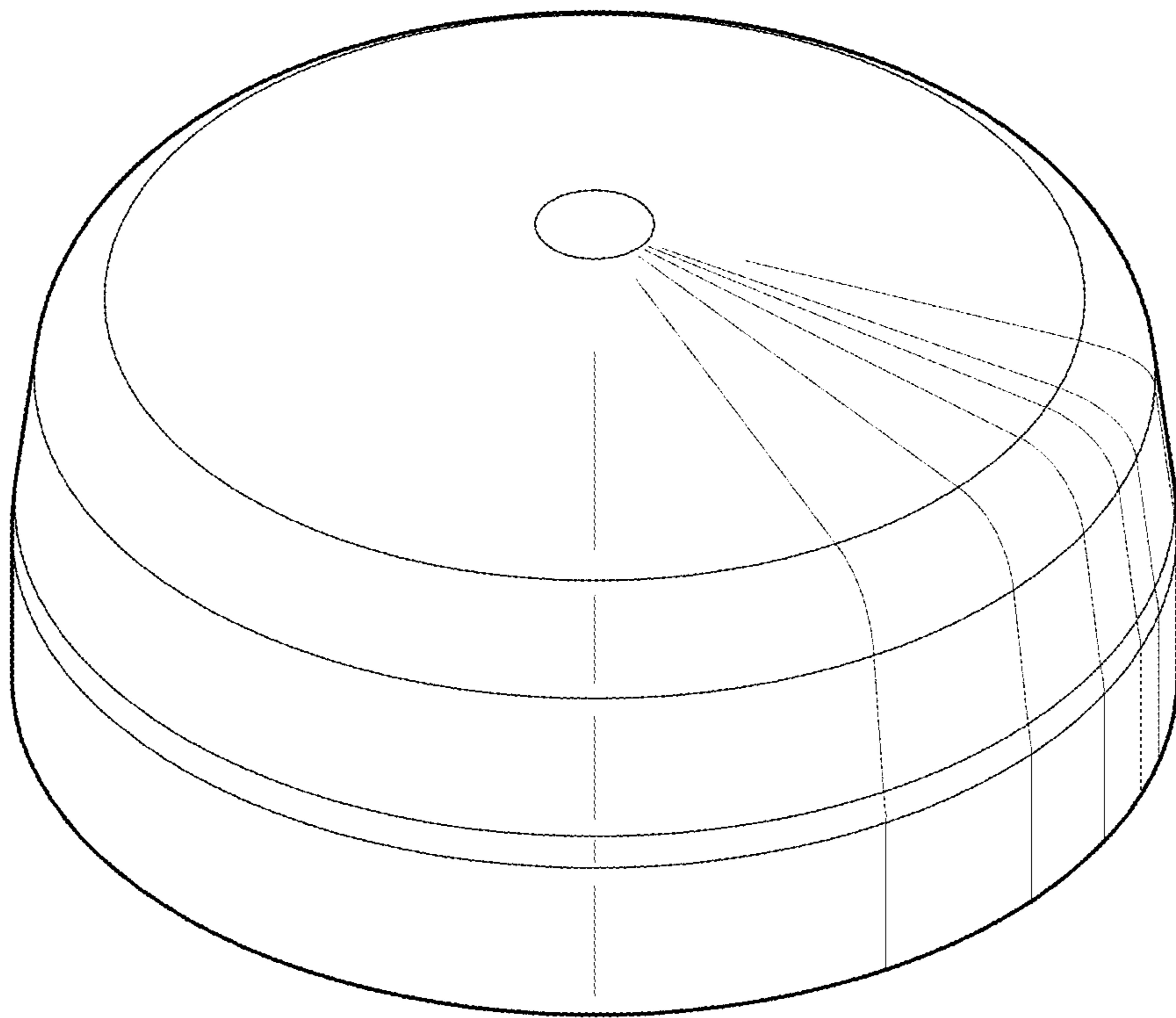


FIG. 6

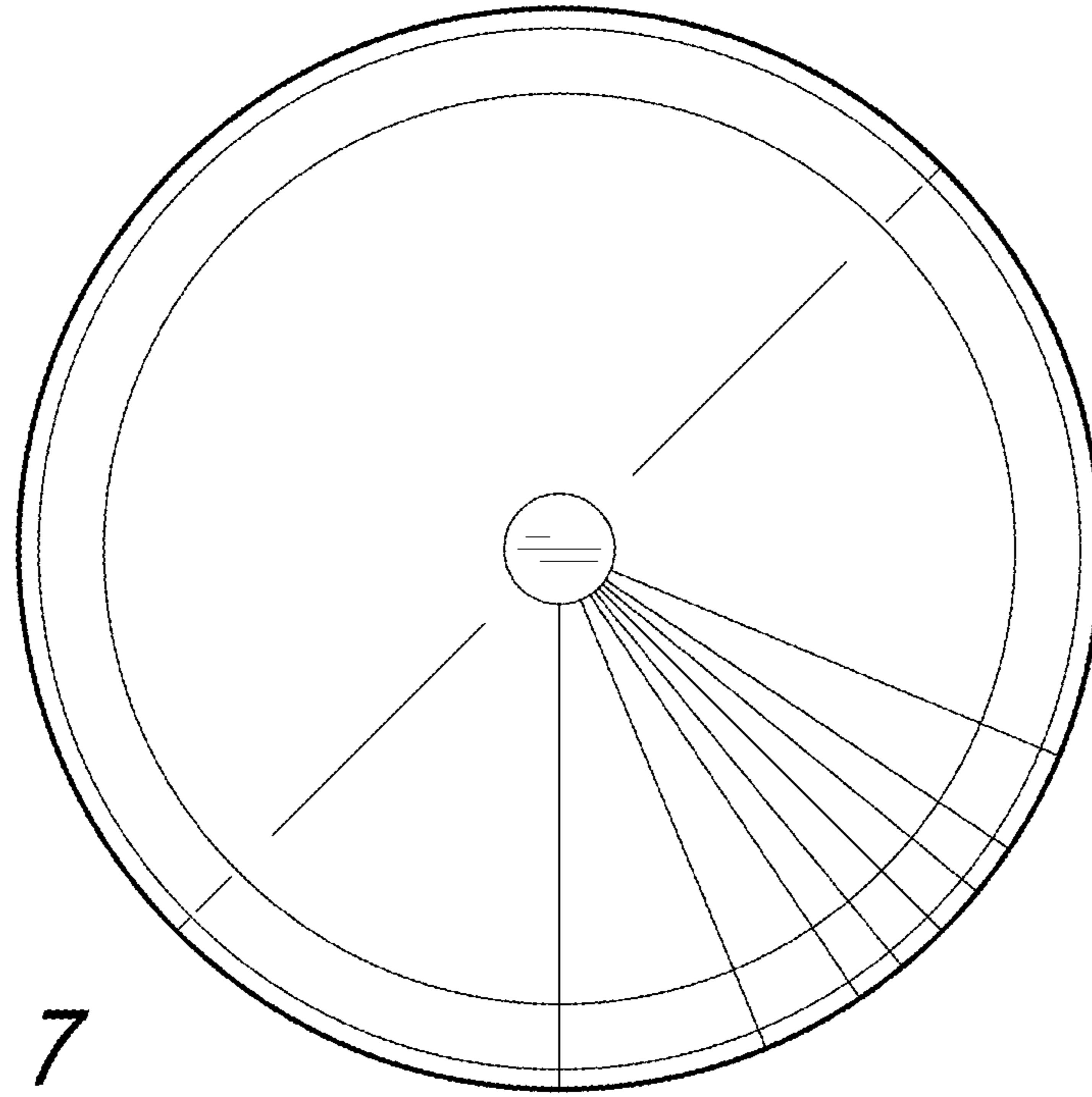


FIG. 7

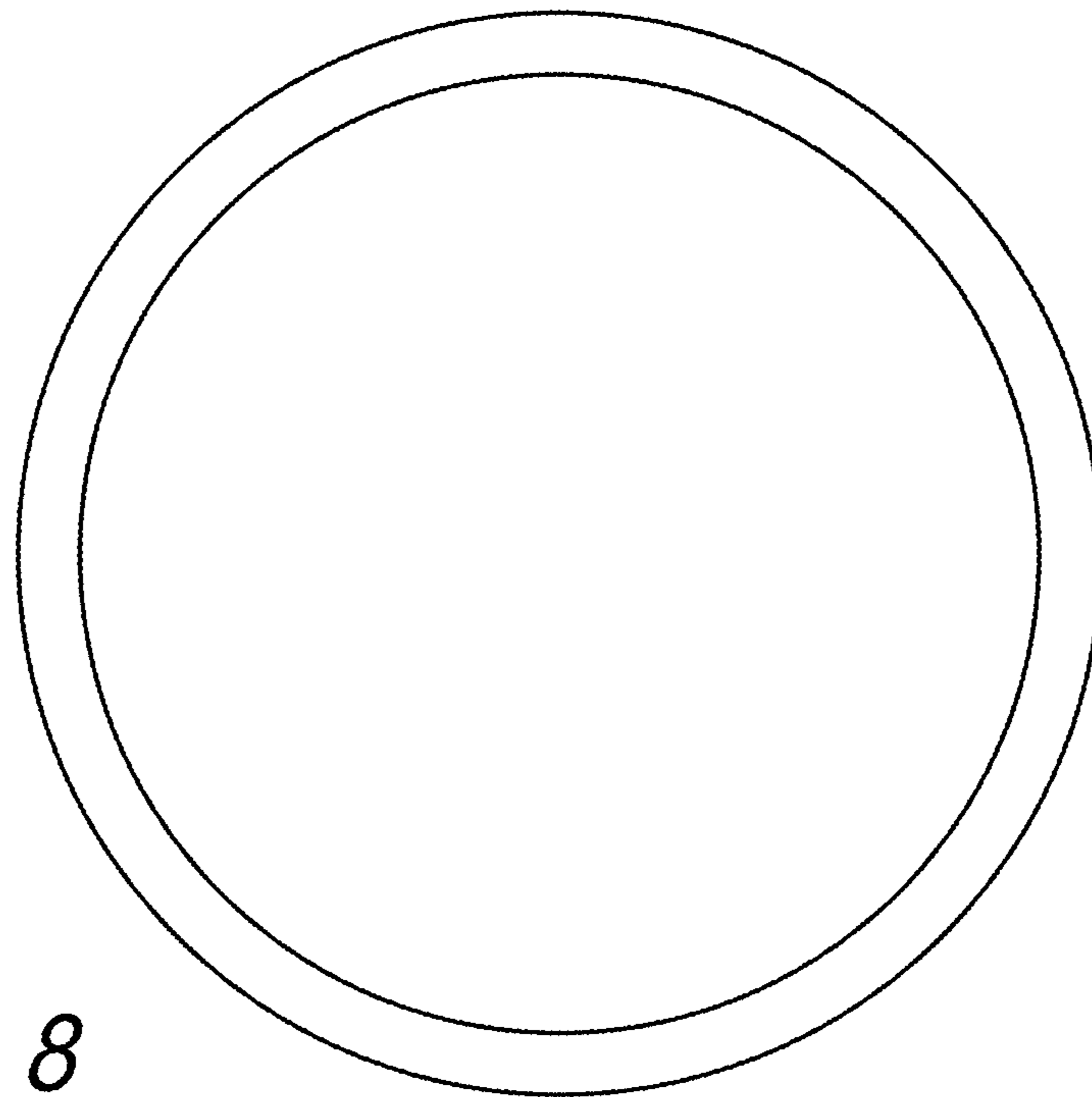


FIG. 8

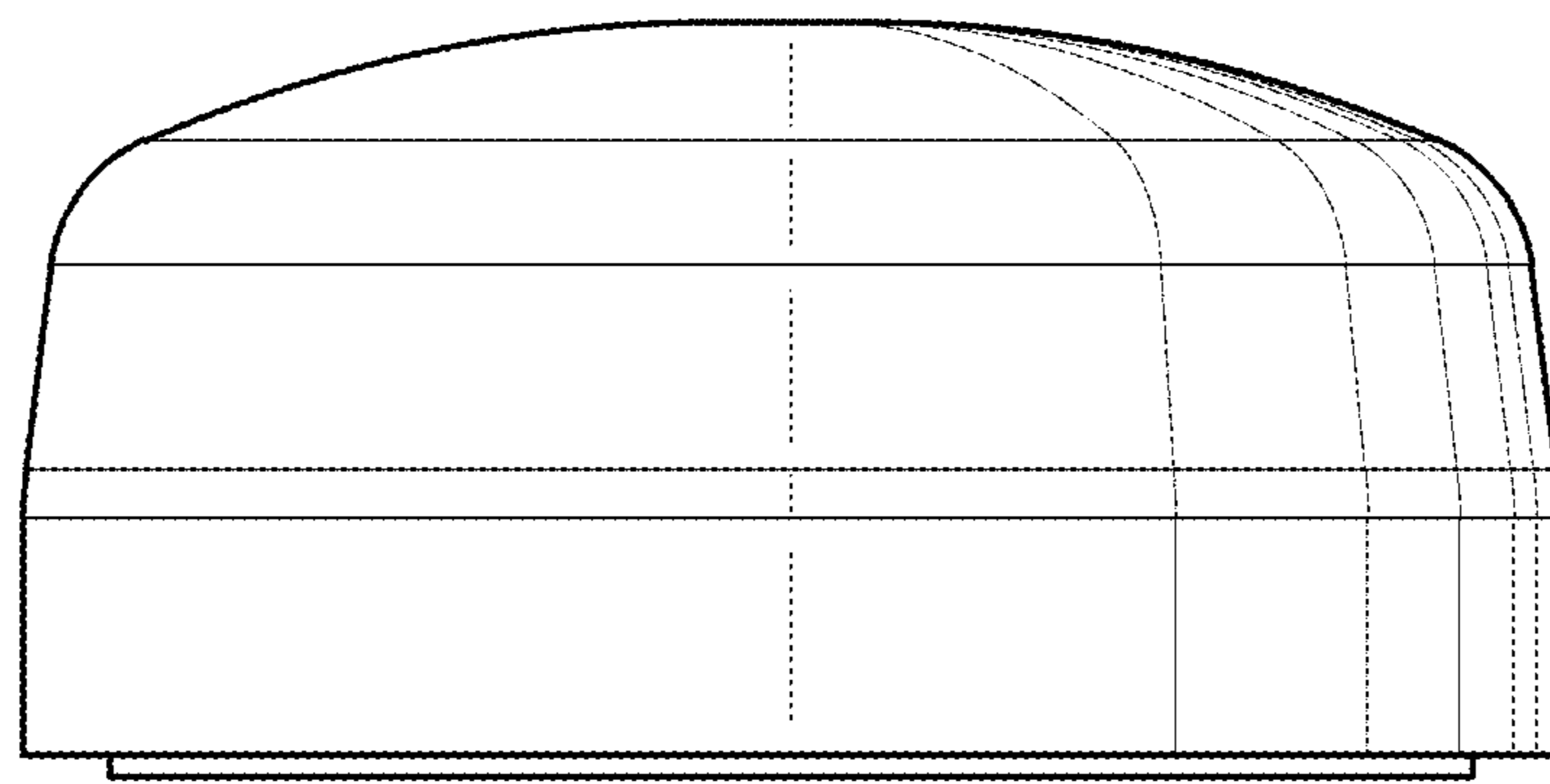


FIG. 9

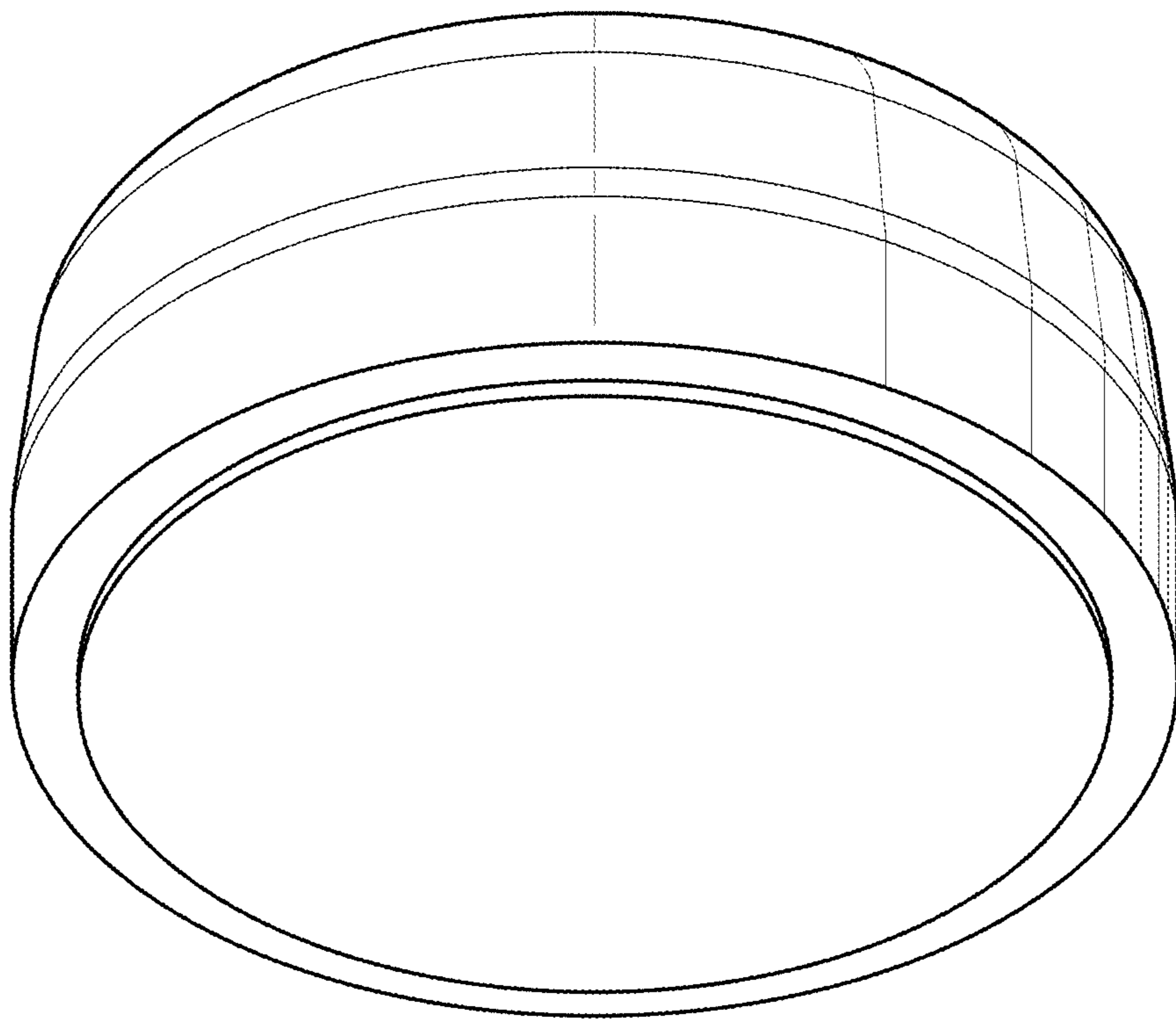


FIG. 10