



US00D988529S

(12) **United States Design Patent**  
**Jin**

(10) **Patent No.:** **US D988,529 S**  
(45) **Date of Patent:** **\*\* Jun. 6, 2023**

(54) **MESSAGE GUN**

(71) Applicant: **Wu Jin**, Yongkang (CN)

(72) Inventor: **Wu Jin**, Yongkang (CN)

(\*\*) Term: **15 Years**

(21) Appl. No.: **29/799,344**

(22) Filed: **Jul. 14, 2021**

(51) **LOC (14) Cl.** ..... **24-01**

(52) **U.S. Cl.**  
USPC ..... **D24/215**

(58) **Field of Classification Search**  
USPC ..... D24/200, 211, 212, 213, 214, 215;  
D8/14.1; D28/13  
CPC ..... A61H 23/006; A61H 2201/0153; A61H  
2201/0157; A61H 15/0085; A61H 7/005;  
A61H 23/00; A61H 7/003; A61H 7/007;  
A61H 1/008

See application file for complete search history.

(56) **References Cited**

**U.S. PATENT DOCUMENTS**

D369,434 S *	4/1996	LeCompte, Sr.	.....	D28/13
D847,364 S *	4/2019	Lee	.....	D24/215
D866,790 S *	11/2019	Lee	.....	D24/215
D898,209 S *	10/2020	Xu	.....	D24/214
D920,531 S *	5/2021	Xu	.....	D24/215
D921,215 S *	6/2021	Xu	.....	D24/215
D923,190 S *	6/2021	Xu	.....	D24/214
D928,339 S *	8/2021	Yang	.....	D24/215
D965,808 S *	10/2022	Jiang	.....	D24/215
2020/0085675 A1 *	3/2020	Lee	.....	A61H 23/006

**OTHER PUBLICATIONS**

Amazon, "Kiata Massage Gun", Date First Available: Apr. 21, 2021.  
[https://www.amazon.com/KIATA-Professional-High-Intensity-Percussion-Attachments/dp/B09321V16J/ref=cm\\_cr\\_arp\\_d\\_product\\_top?ie=UTF8](https://www.amazon.com/KIATA-Professional-High-Intensity-Percussion-Attachments/dp/B09321V16J/ref=cm_cr_arp_d_product_top?ie=UTF8) (Year: 2021).\*

\* cited by examiner

*Primary Examiner* — Michael A Maharajh

(74) *Attorney, Agent, or Firm* — Rumit R. Kanakia

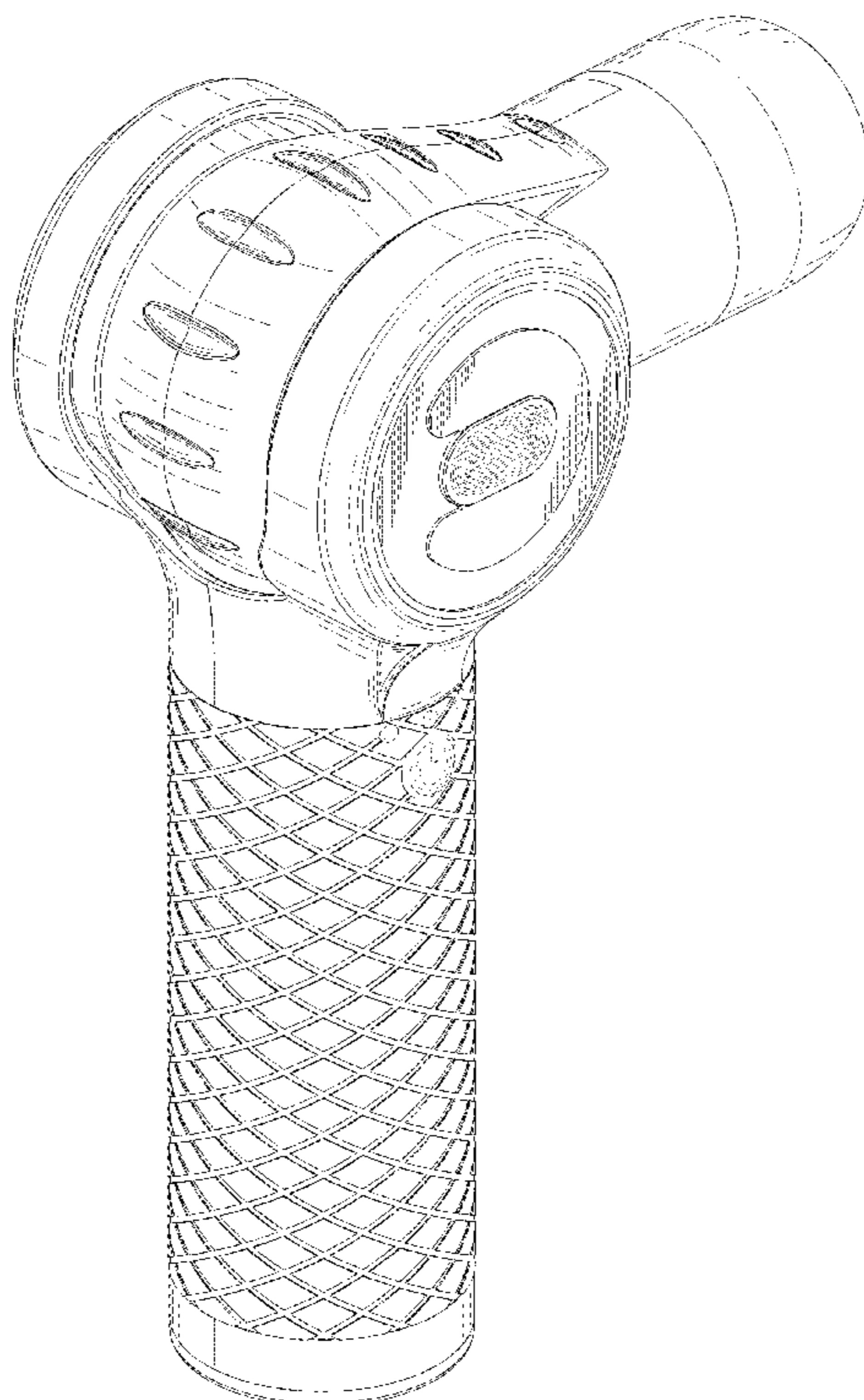
(57) **CLAIM**

The ornamental design for a massage gun, as shown and described.

**DESCRIPTION**

FIG. 1 is a perspective view of a massage gun showing my new design;  
FIG. 2 is a rear perspective view thereof;  
FIG. 3 is a front view thereof;  
FIG. 4 is a rear view thereof;  
FIG. 5 is a left side view thereof;  
FIG. 6 is a right side view thereof;  
FIG. 7 is a top view thereof;  
FIG. 8 is a bottom view thereof; and,  
FIG. 9 is an enlarged view of portion 9 shown in FIG. 3.  
The broken lines in the drawings depict portions of the massage gun that form no part of the claimed design. The dash-dot broken lines shown in FIGS. 3 and 9 are for the purpose of showing enlarged areas, which form no part of the claimed design.

**1 Claim, 9 Drawing Sheets**



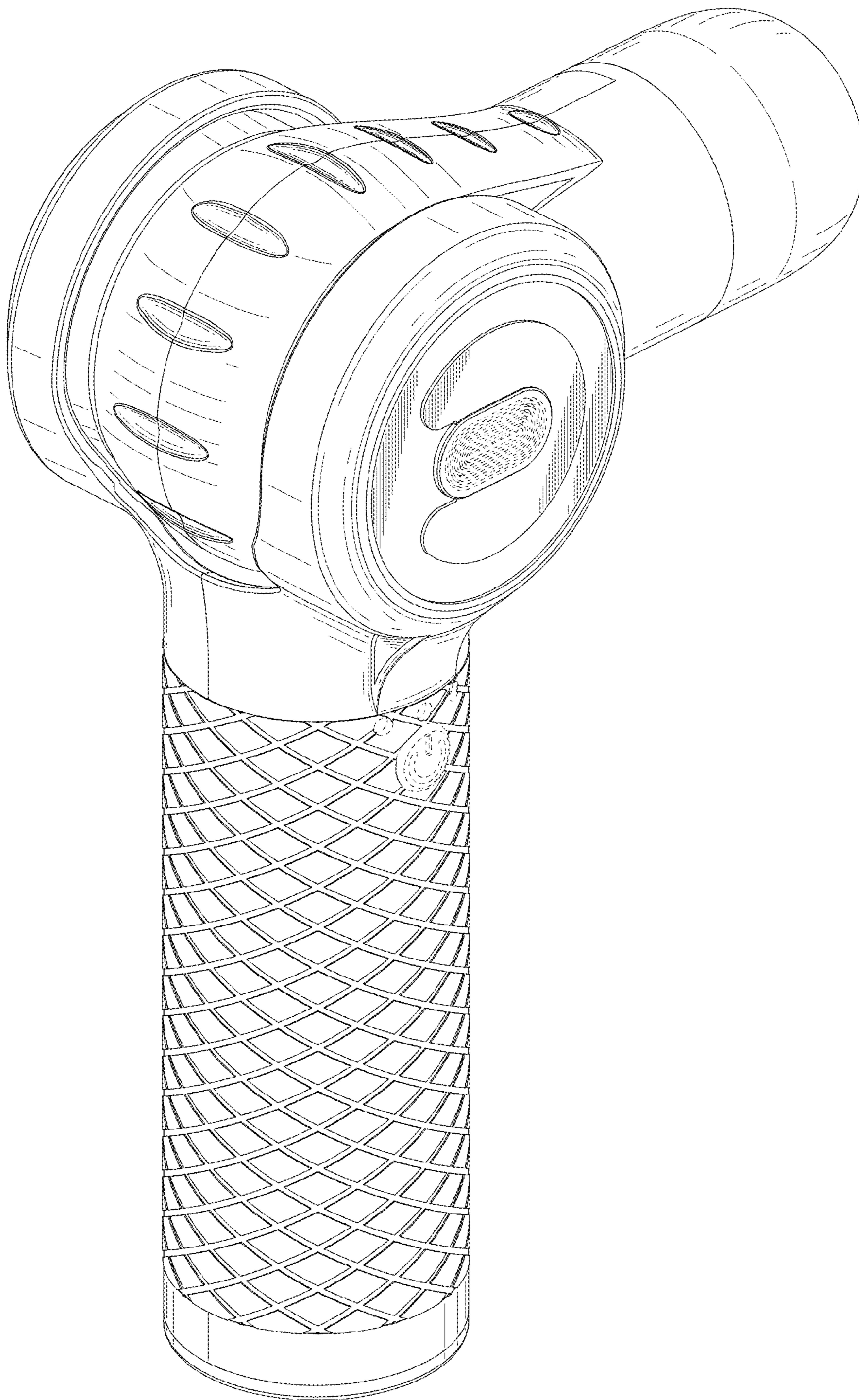


FIG. 1



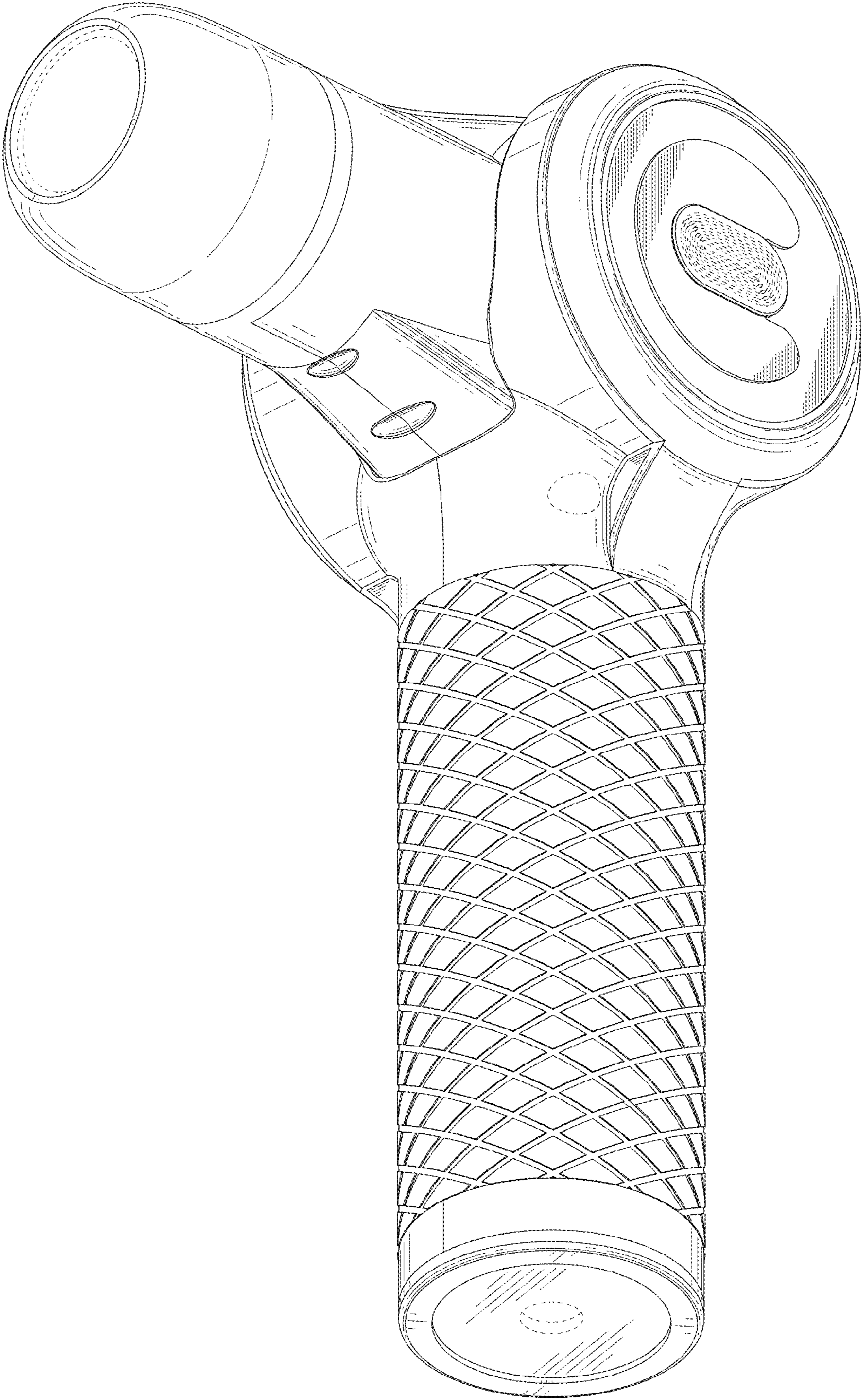


FIG. 2

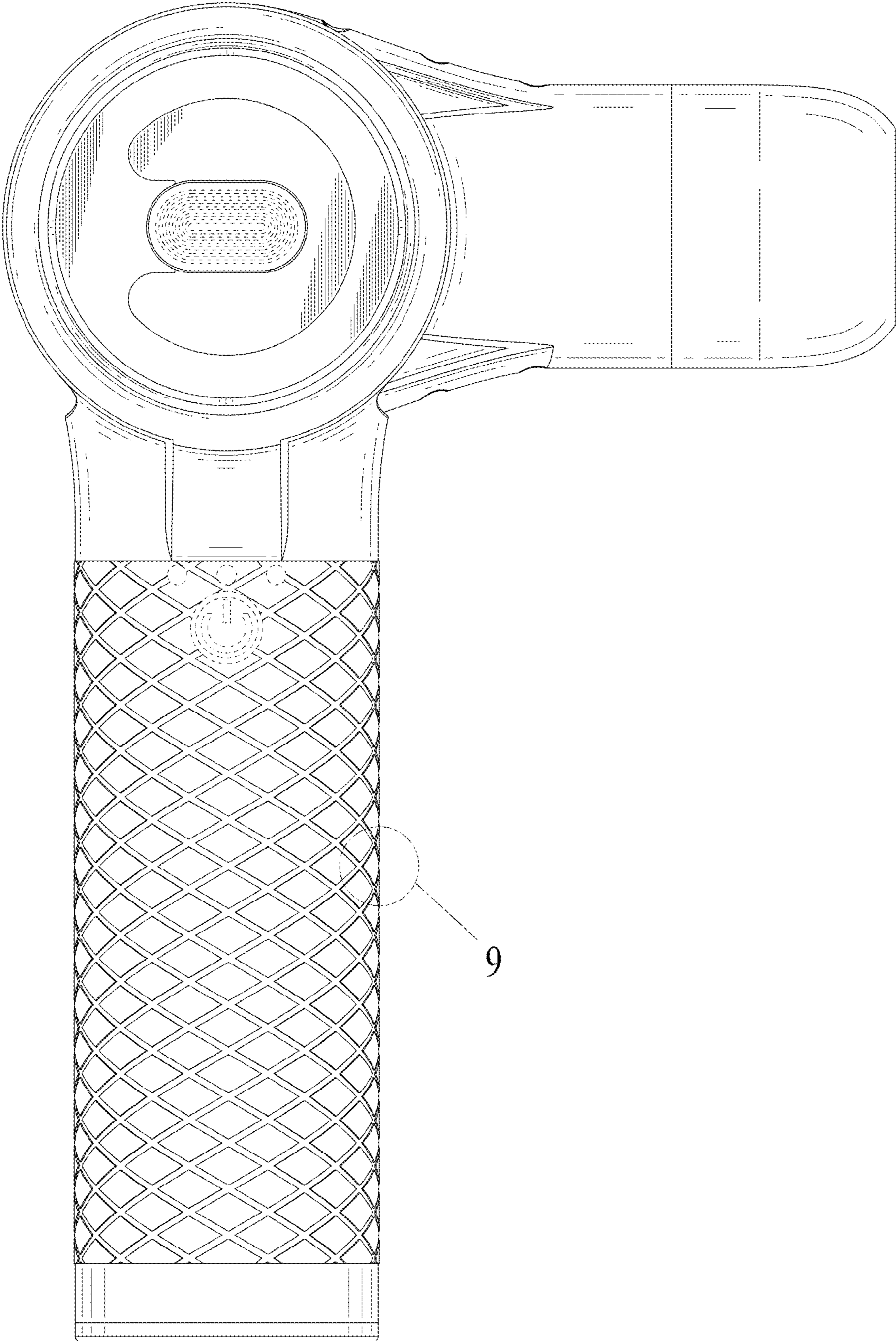


FIG. 3



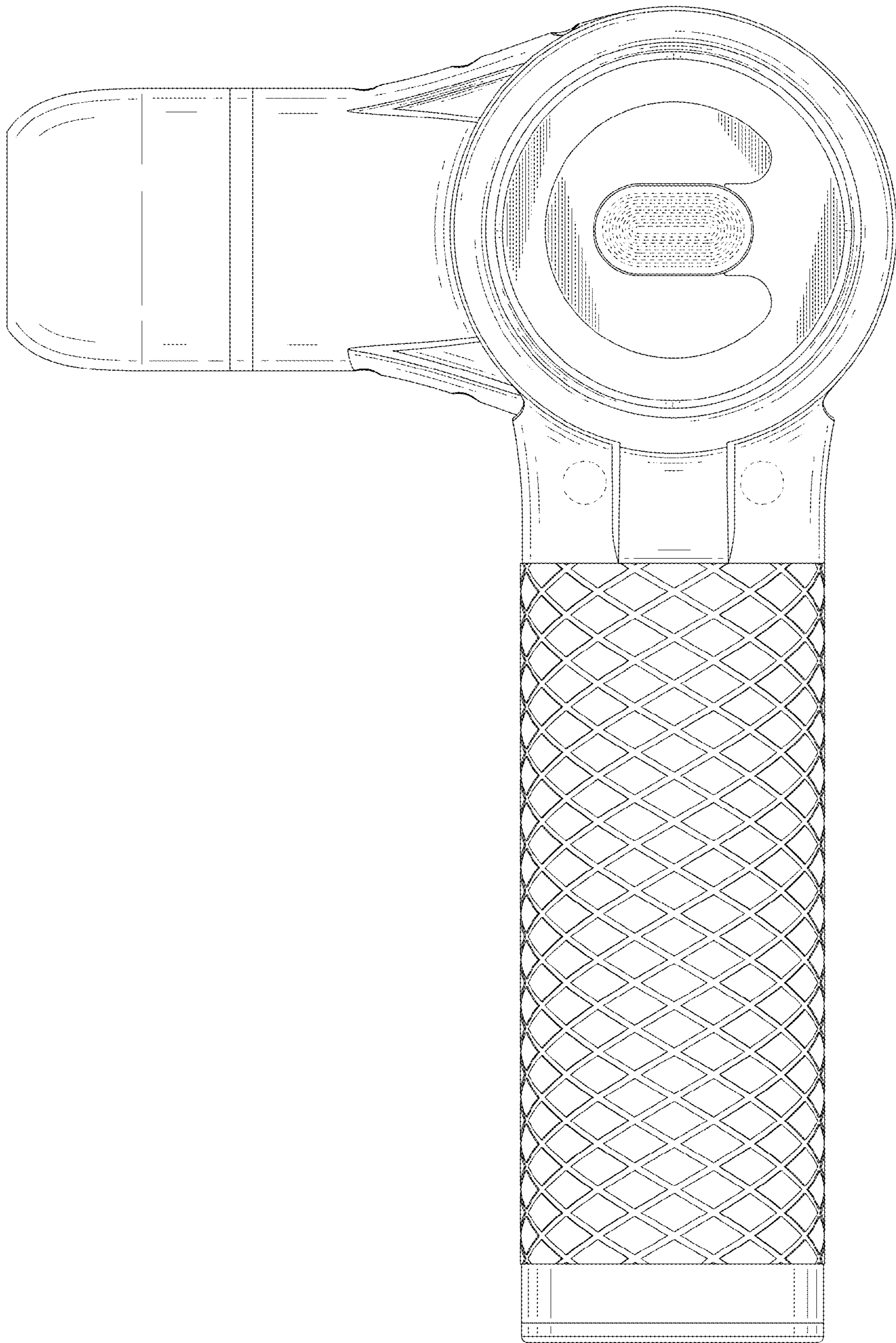


FIG. 4

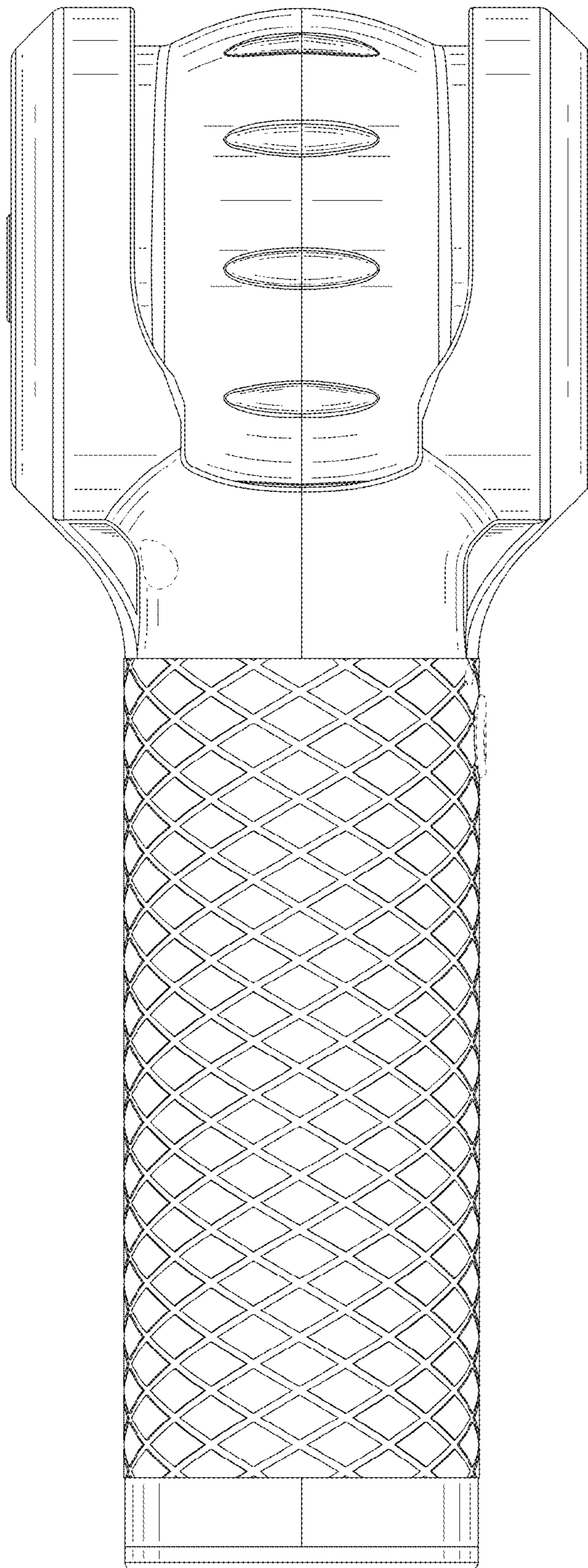


FIG. 5



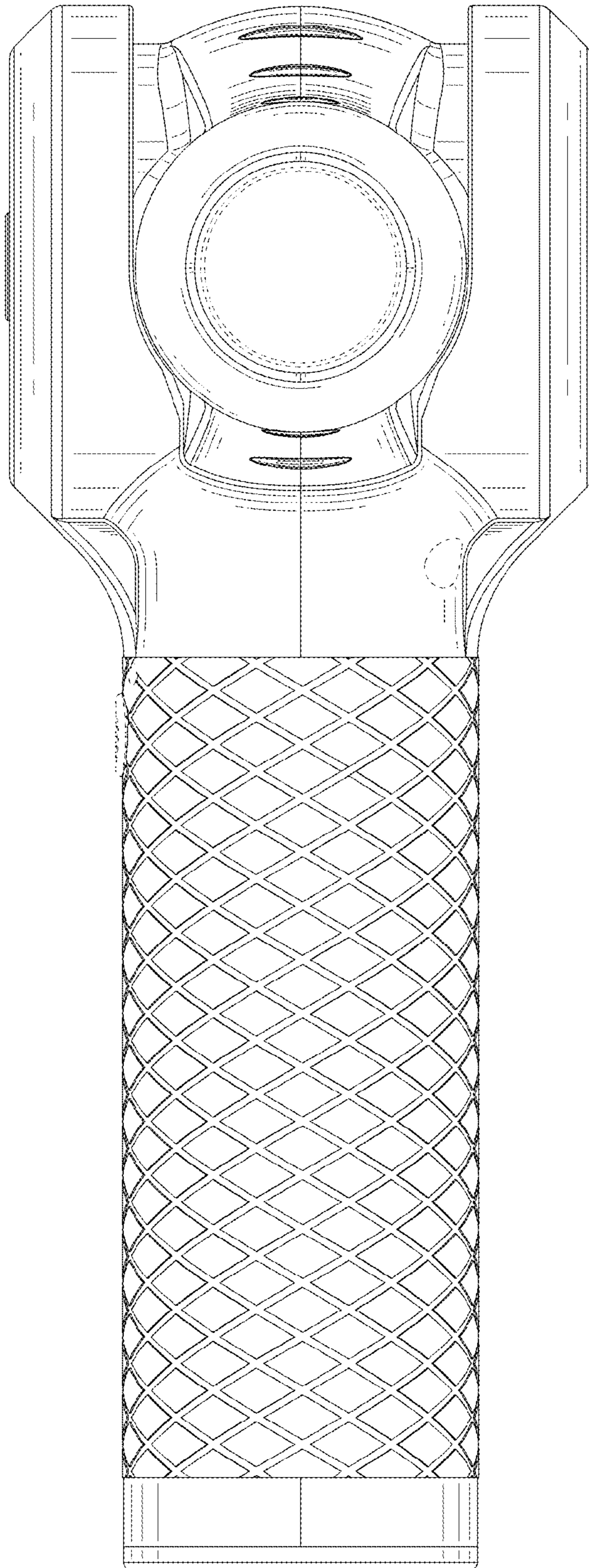


FIG. 6

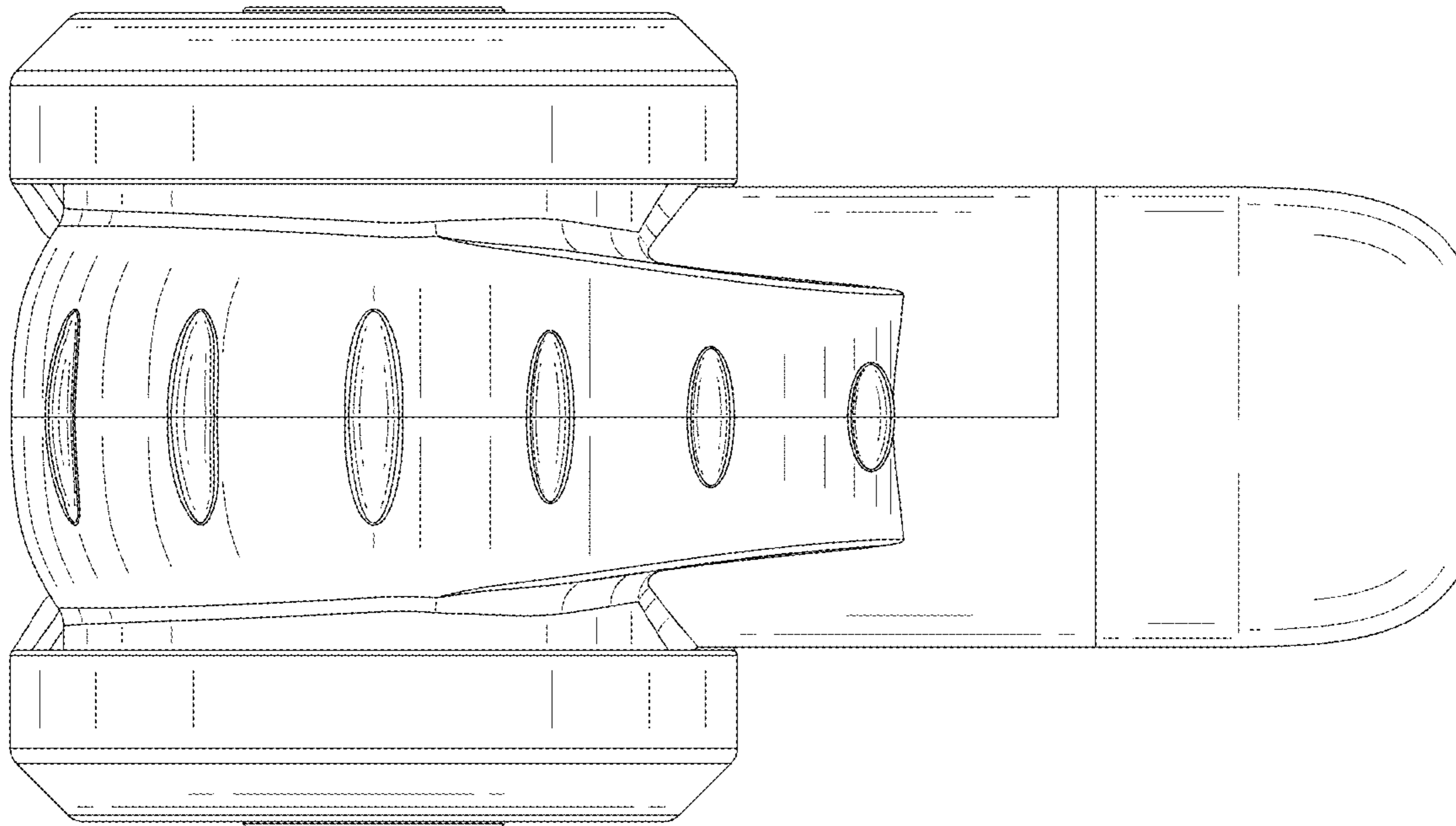


FIG. 7



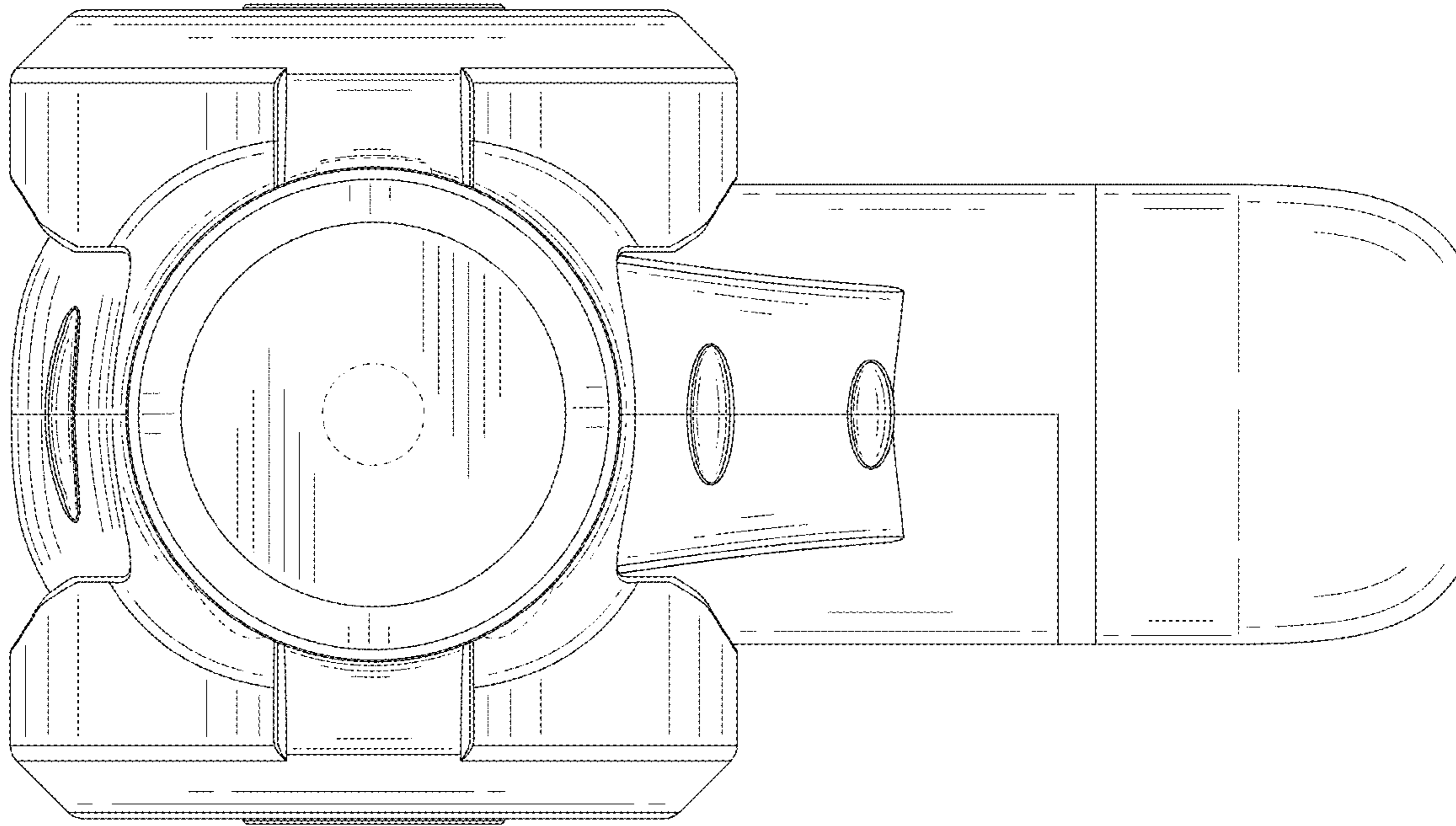


FIG. 8

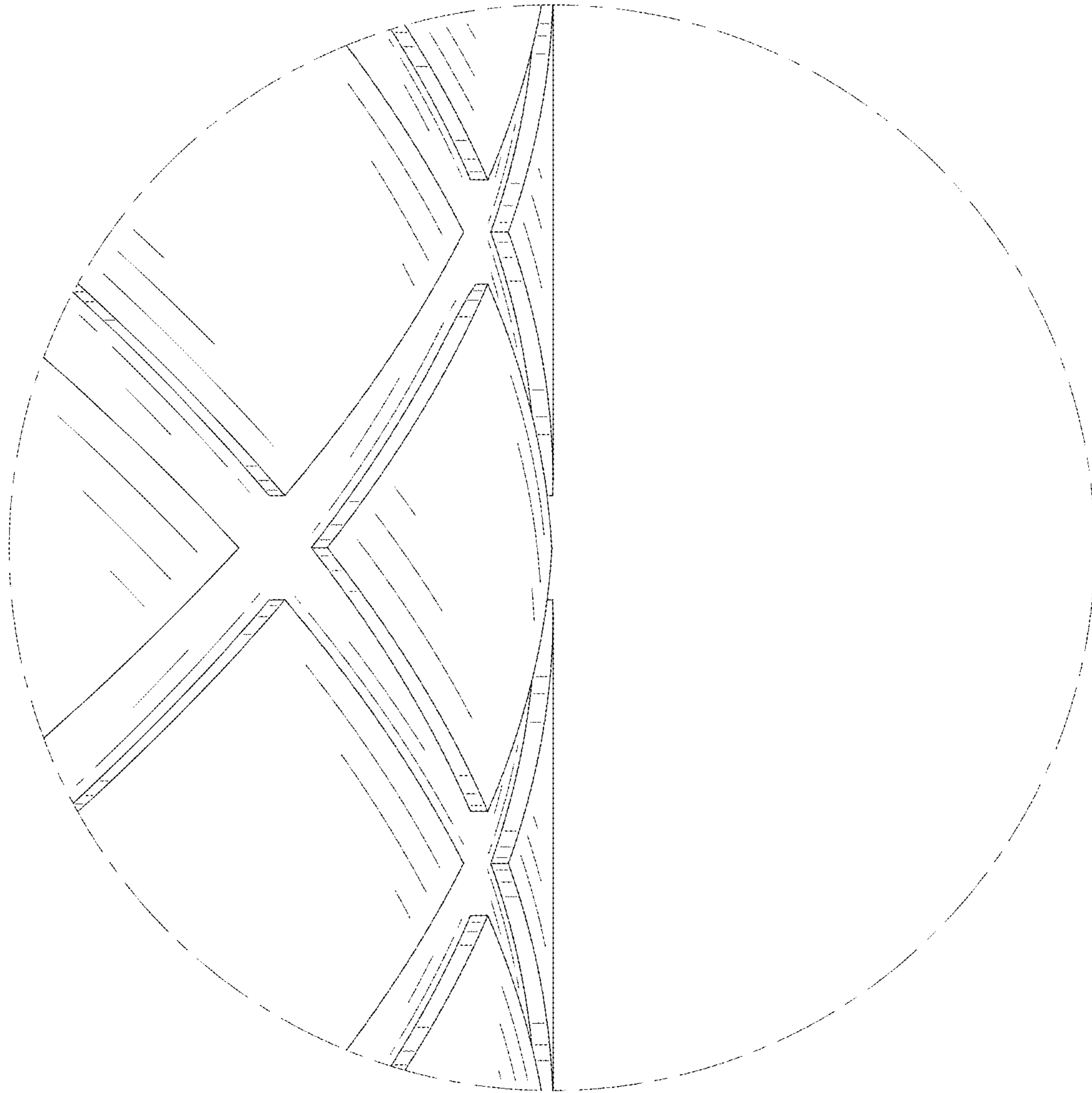


FIG. 9