



US00D988528S

(12) **United States Design Patent**
Dunham

(10) **Patent No.:** **US D988,528 S**

(45) **Date of Patent:** **** Jun. 6, 2023**

(54) **ADULT VIBRATOR**

(71) Applicant: **Suki LLC**, North Hampton, NH (US)

(72) Inventor: **Brian Dunham**, North Hampton, NH (US)

(73) Assignee: **Suki LLC**, North Hampton, NH (US)

(**) Term: **15 Years**

(21) Appl. No.: **29/720,905**

(22) Filed: **Jan. 16, 2020**

(51) **LOC (14) Cl.** **28-03**

(52) **U.S. Cl.**
USPC **D24/215**

(58) **Field of Classification Search**

USPC D24/215, 200, 211, 212, 213, 214, 133,
D24/188, 107
CPC A61H 19/00; A61H 19/30; A61H 19/32;
A61H 19/34; A61H 19/40; A61H 19/44;
A61H 19/50; A61H 7/00; A61H 7/005;
A61H 7/003; A61H 2201/0157; A61H
2201/0153

See application file for complete search history.

(56) **References Cited**

U.S. PATENT DOCUMENTS

D574,504 S *	8/2008	Imboden	D24/215
D605,779 S *	12/2009	Murison	D24/215
D665,092 S *	8/2012	Sedic	D24/215
D665,094 S *	8/2012	Sedic	D24/215
D700,347 S *	2/2014	Sedic	D24/215
D754,395 S *	4/2016	Yeo	D28/7
D848,015 S *	5/2019	Fuhner	D24/215
D857,912 S *	8/2019	Fuhner	D24/215
D890,944 S *	7/2020	Tsang	D24/215
D898,912 S *	10/2020	Xie	D24/141
10,945,914 B1 *	3/2021	Liu	A61H 23/02
2008/0009775 A1 *	1/2008	Murison	A61H 19/40 601/46

(Continued)

OTHER PUBLICATIONS

OHMIBOD—ESCA 2 Review. Date: Jun. 24, 2019. [online]. [Site visited Oct. 9, 2021]. Available from Internet URL: <https://hertoysreview.com/ohmibod-esca-2-review/> (Year: 2019).*

(Continued)

Primary Examiner — Eliza Z Harvey

Assistant Examiner — Landon Thomas Cassell

(74) *Attorney, Agent, or Firm* — K&L Gates LLP

(57) **CLAIM**

The ornamental design for an adult vibrator, as shown and described herein.

DESCRIPTION

FIG. 1 illustrates a front view of an adult vibrator, according to a first embodiment.

FIG. 2 illustrates a back view of the adult vibrator, according to the first embodiment.

FIG. 3 illustrates a left side view of the adult vibrator, according to the first embodiment, the right side view being a mirror image thereof.

FIG. 4 illustrates a top-down view of the adult vibrator, according to the first embodiment.

FIG. 5 illustrates a bottom-up view of the adult vibrator, according to the first embodiment.

FIG. 6 illustrates a front view of an adult vibrator, according to a second embodiment.

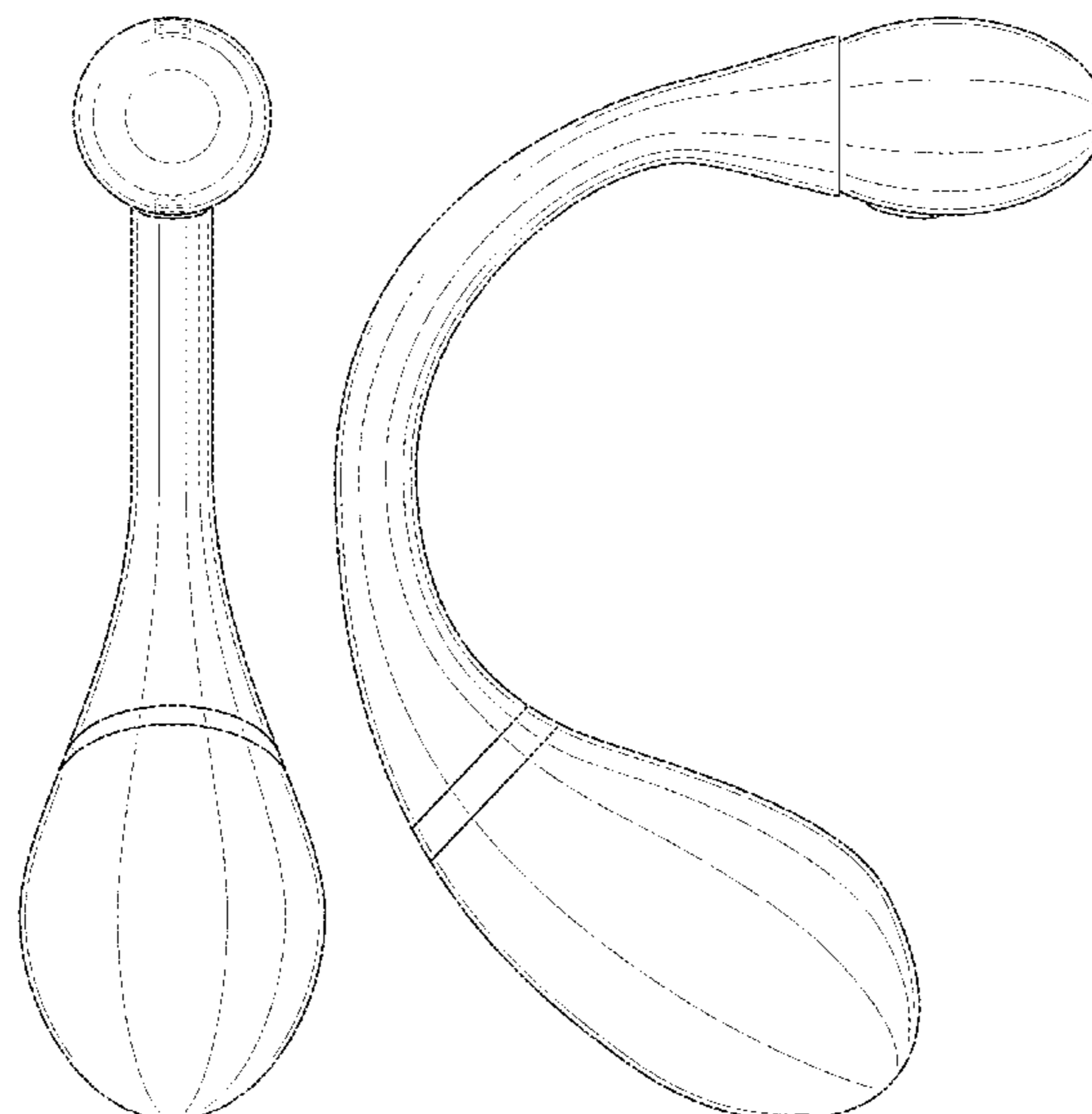
FIG. 7 illustrates a back view of the adult vibrator, according to the second embodiment.

FIG. 8 illustrates a left side view of the adult vibrator, according to the second embodiment, the right side view being a mirror image thereof.

FIG. 9 illustrates a top-down view of the adult vibrator, according to the second embodiment; and,

FIG. 10 illustrates a bottom-up view of the adult vibrator, according to the second embodiment.

1 Claim, 6 Drawing Sheets



(56)

References Cited

U.S. PATENT DOCUMENTS

2013/0331745 A1* 12/2013 Sedic A61H 19/44
601/46
2020/0085679 A1* 3/2020 Haddock A61H 19/34

OTHER PUBLICATIONS

Alofa—Kegel Exercise Balls. Date: Jun. 18, 2019. [online]. [Site visited Oct. 28, 2021]. Available from Internet URL: <https://www.amazon.co.uk/dp/B07TB1SZGY/?th=1> (Year: 2019).*

Elvie—Smart Kegel Trainer. Date: Nov. 25, 2015. [online]. [Site visited Oct. 28, 2021]. Available from Internet URL: <https://www.amazon.co.uk/dp/B018IFNSX4/> (Year: 2015).*

Adult vibrators. (Design—© Questel) orbit.com. [Online PDF compilation of references] 15 pgs. Print Dates Range Apr. 23, 2012-Oct. 28, 2019 [Retrieved Oct. 14, 2021] <https://www.orbit.com/export/UCZAH96B/pdf4/e3828305-f156-4a2c-84c5-655fa911a653-163448.pdf> (Year: 2021).*

* cited by examiner

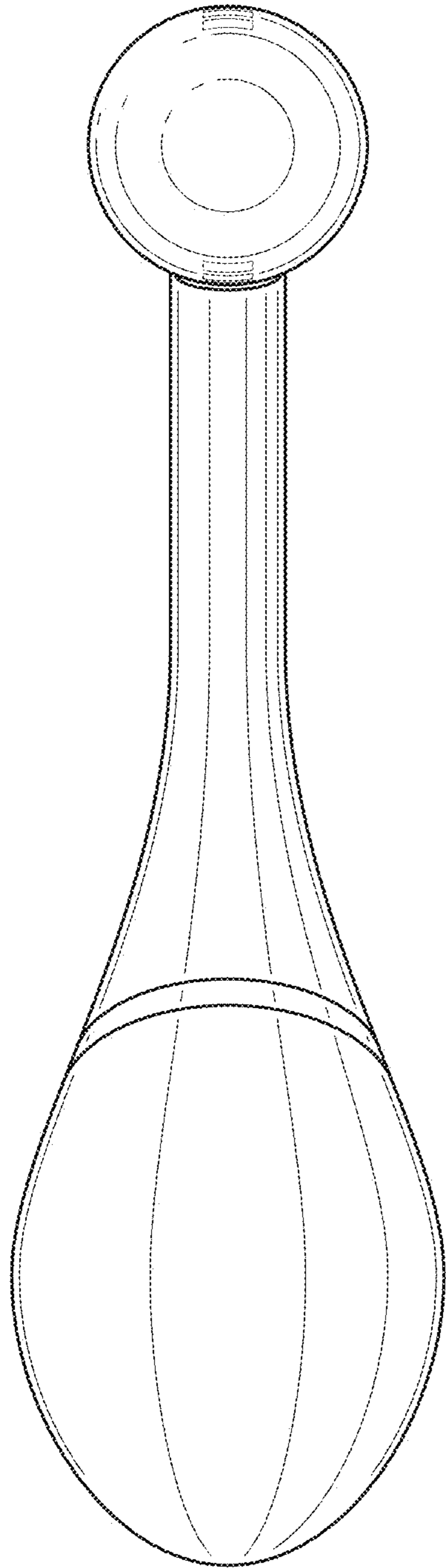


FIG. 1

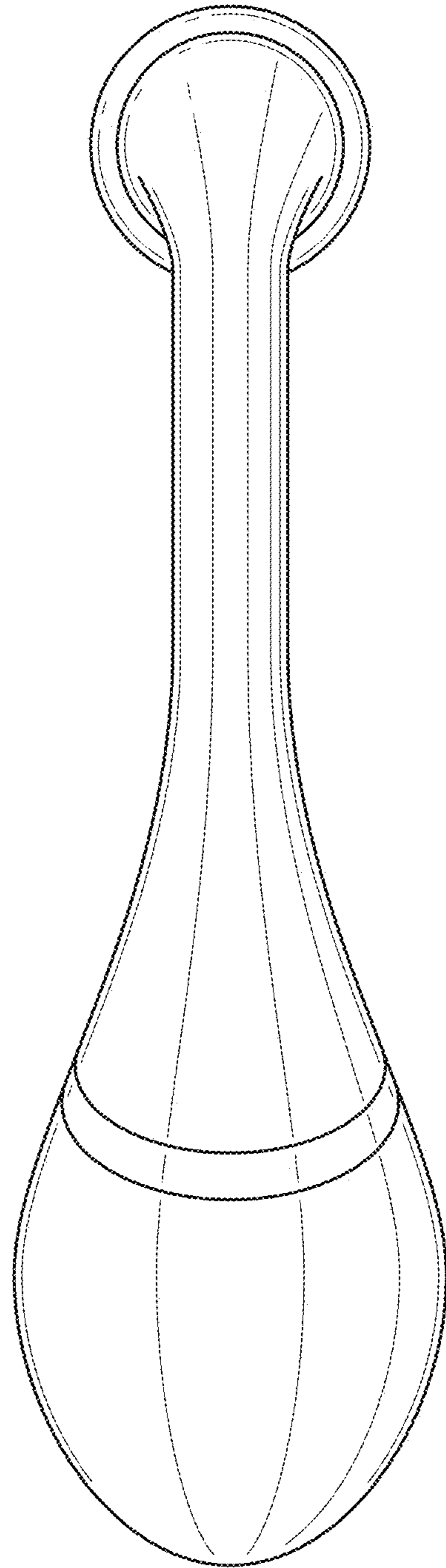


FIG. 2

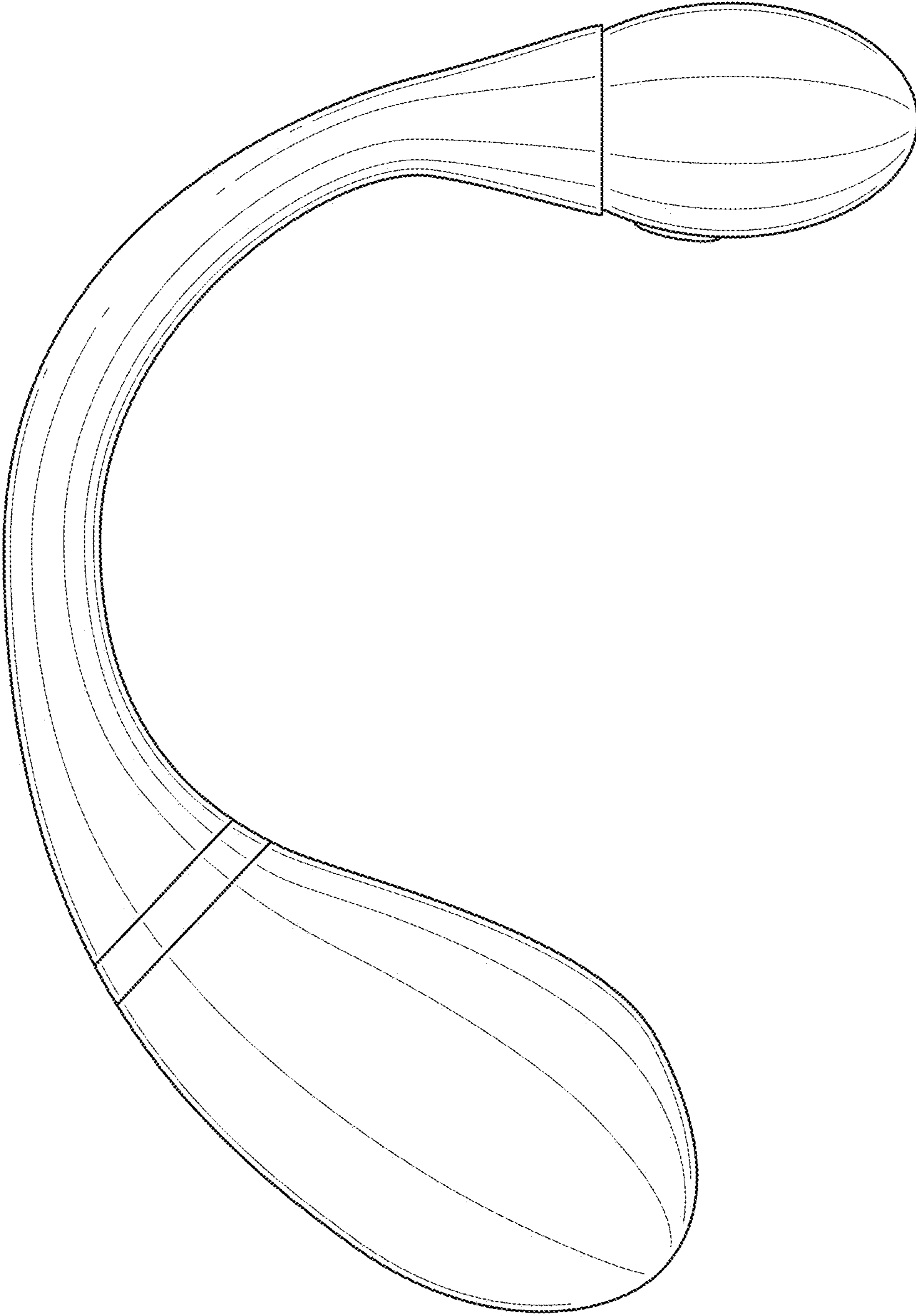


FIG. 3

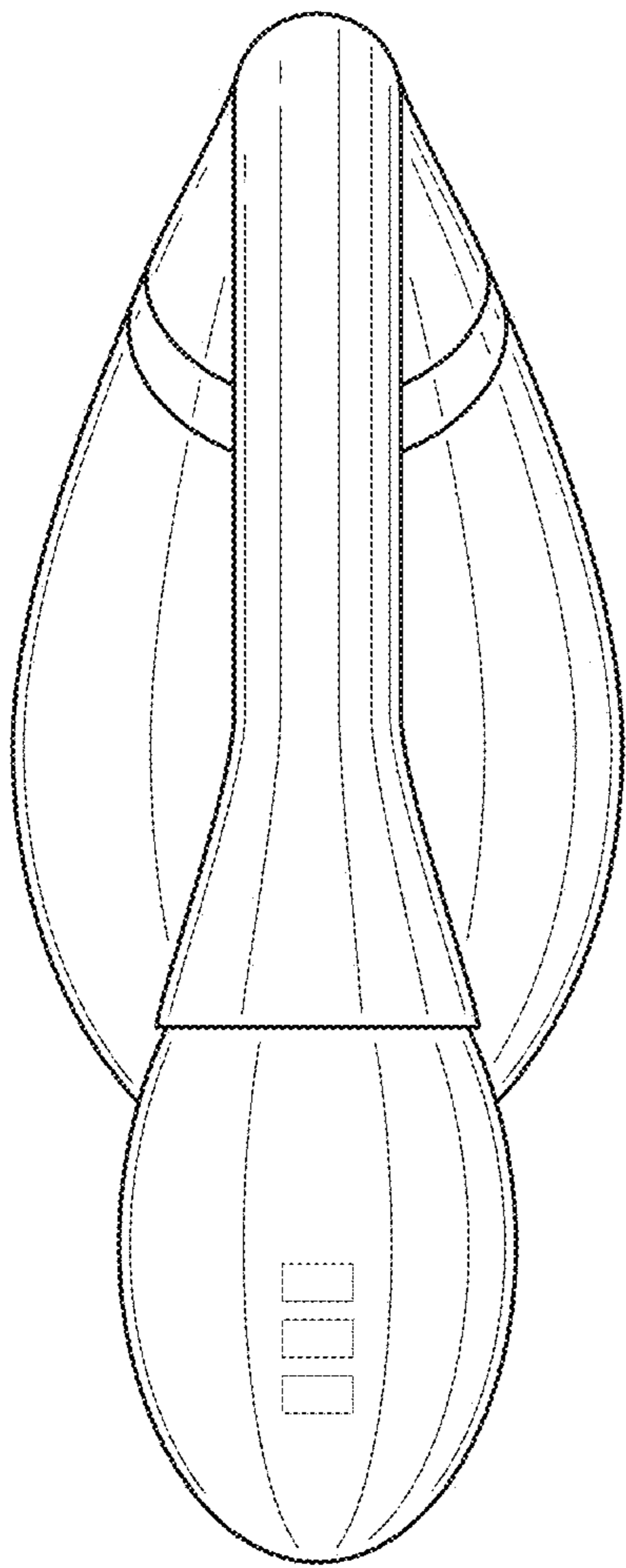


FIG. 4

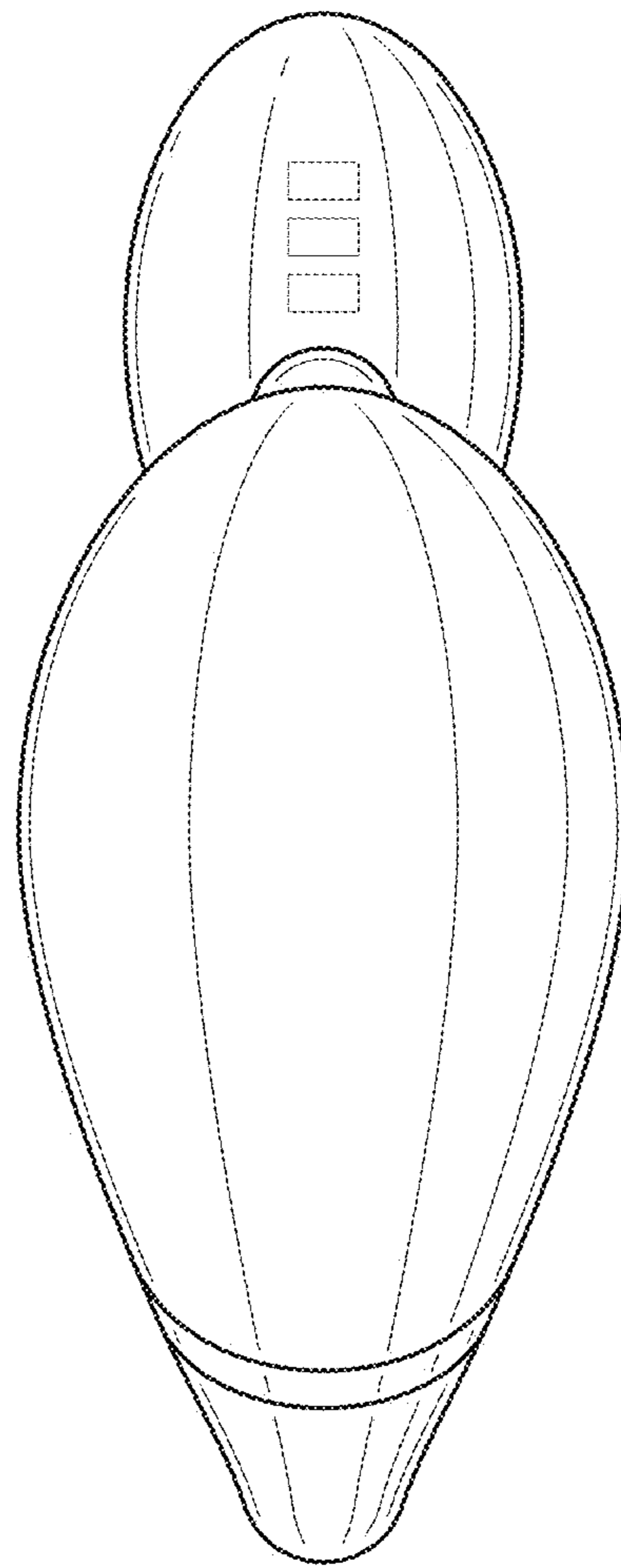


FIG. 5

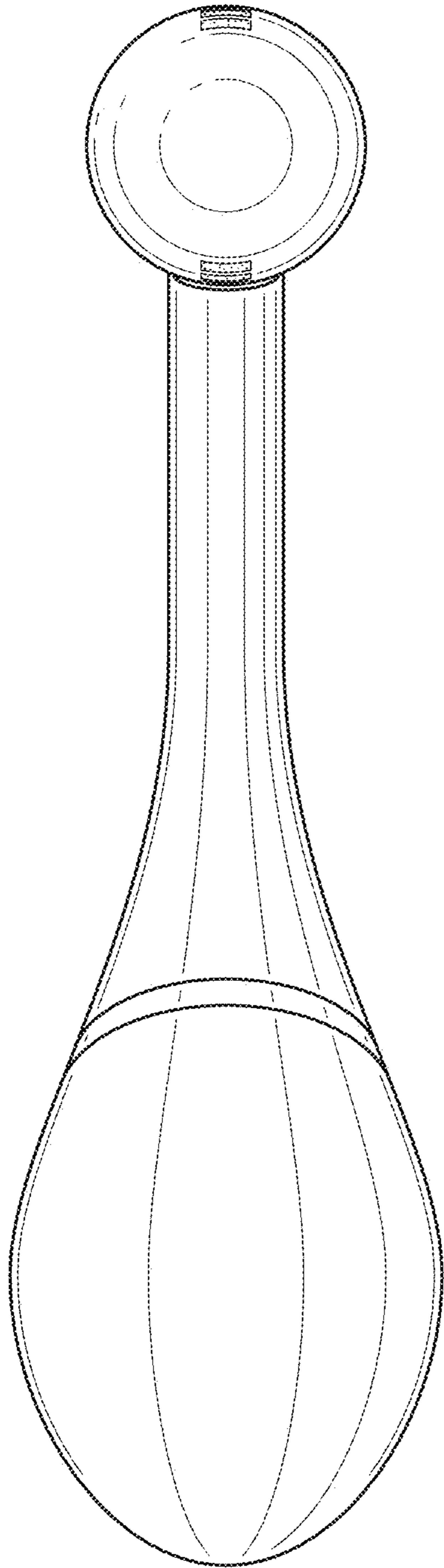


FIG. 6

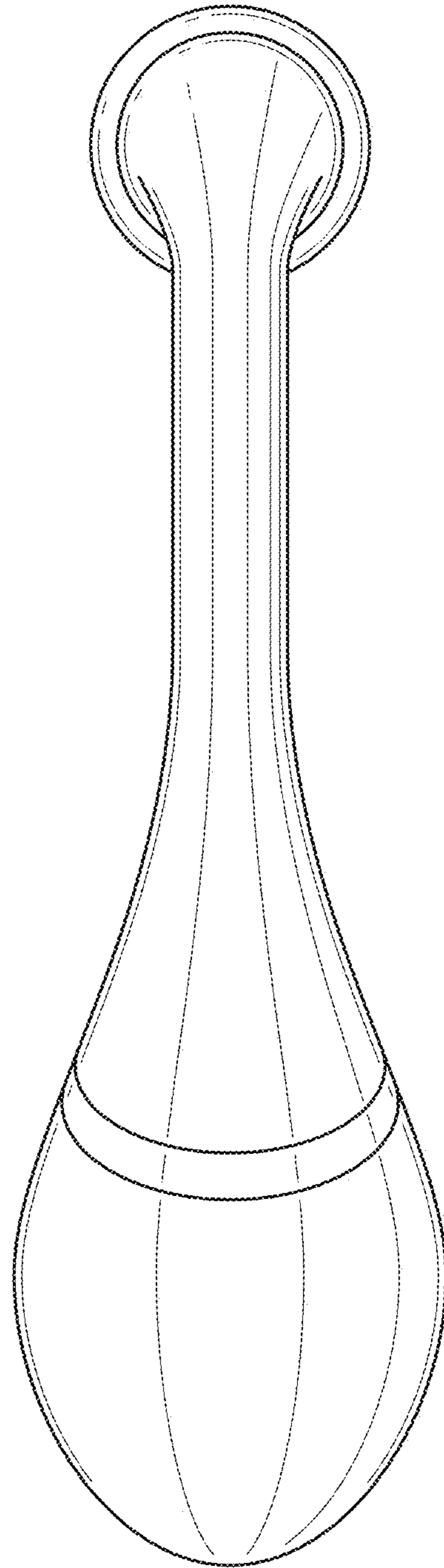


FIG. 7

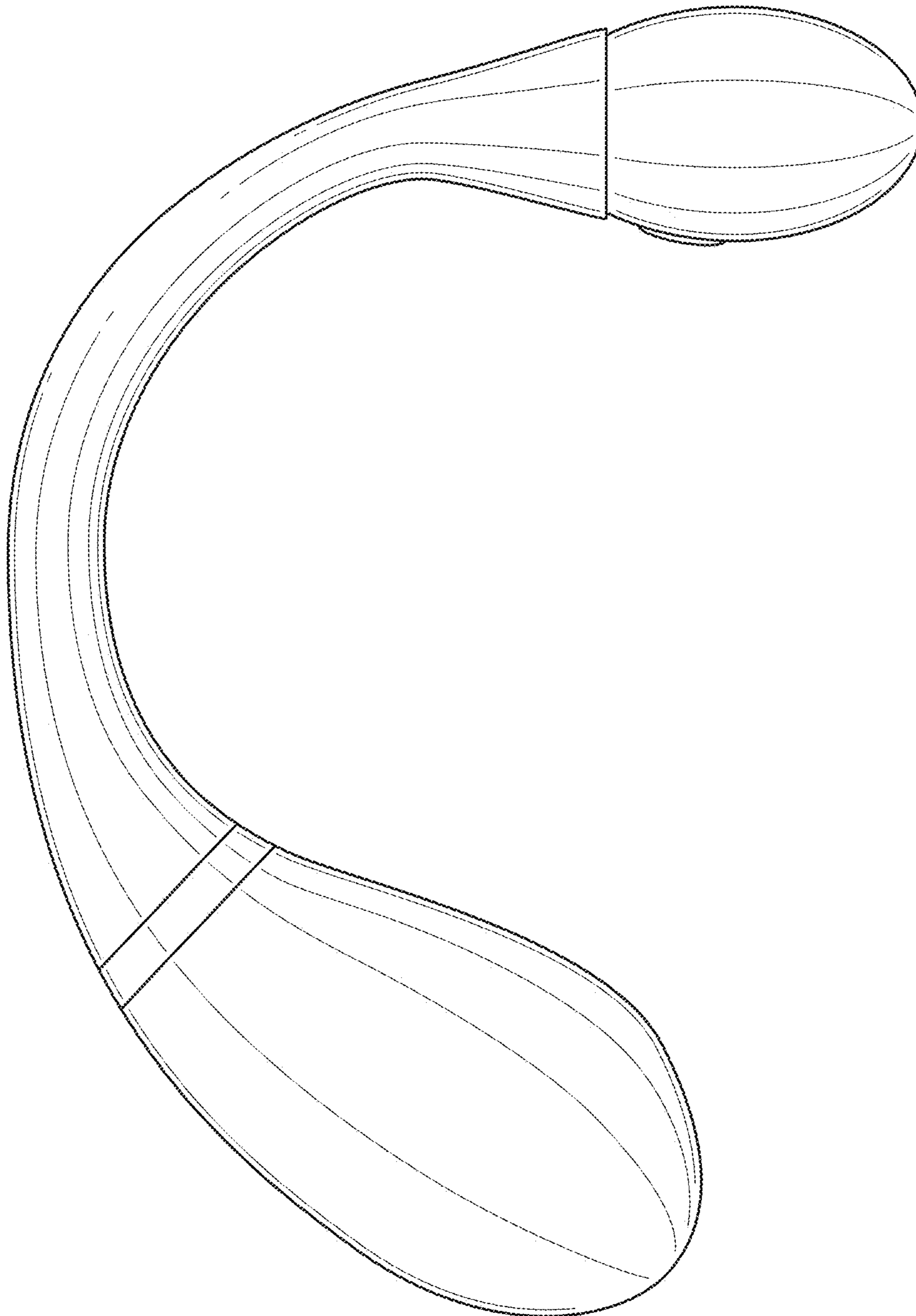


FIG. 8

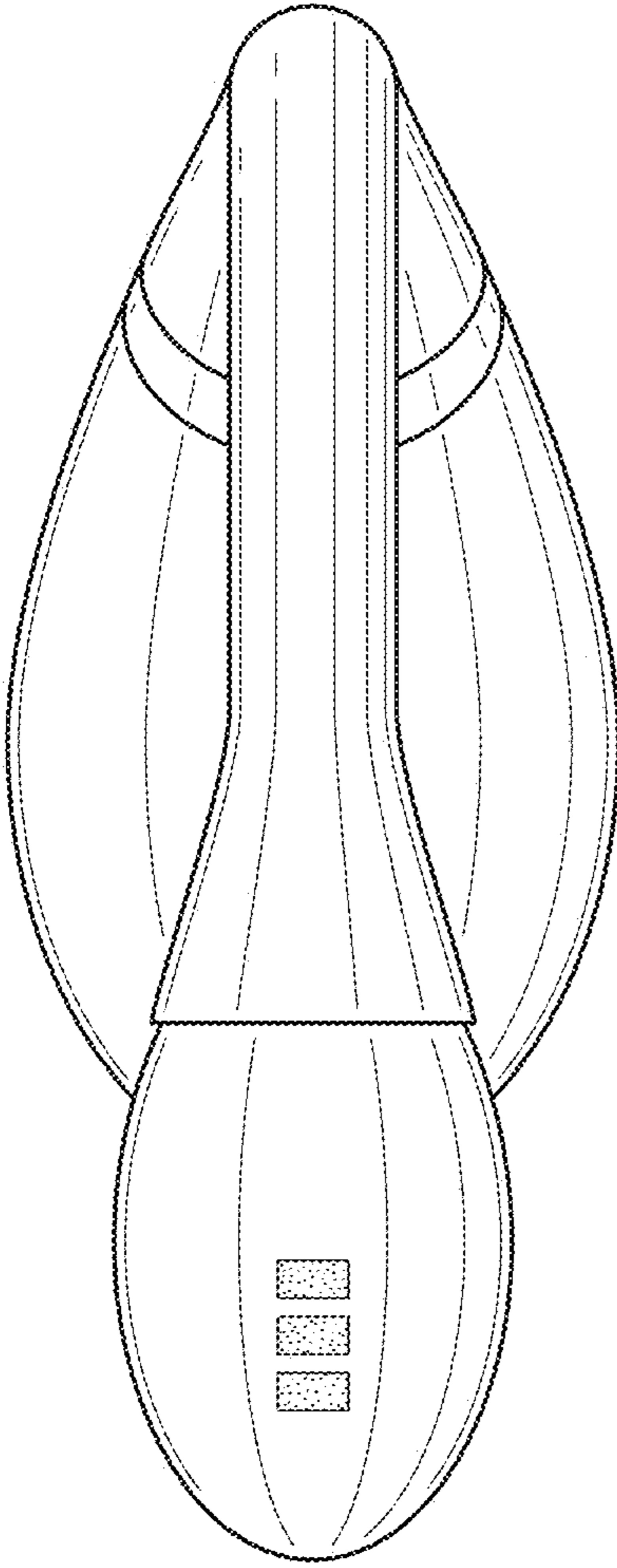


FIG. 9

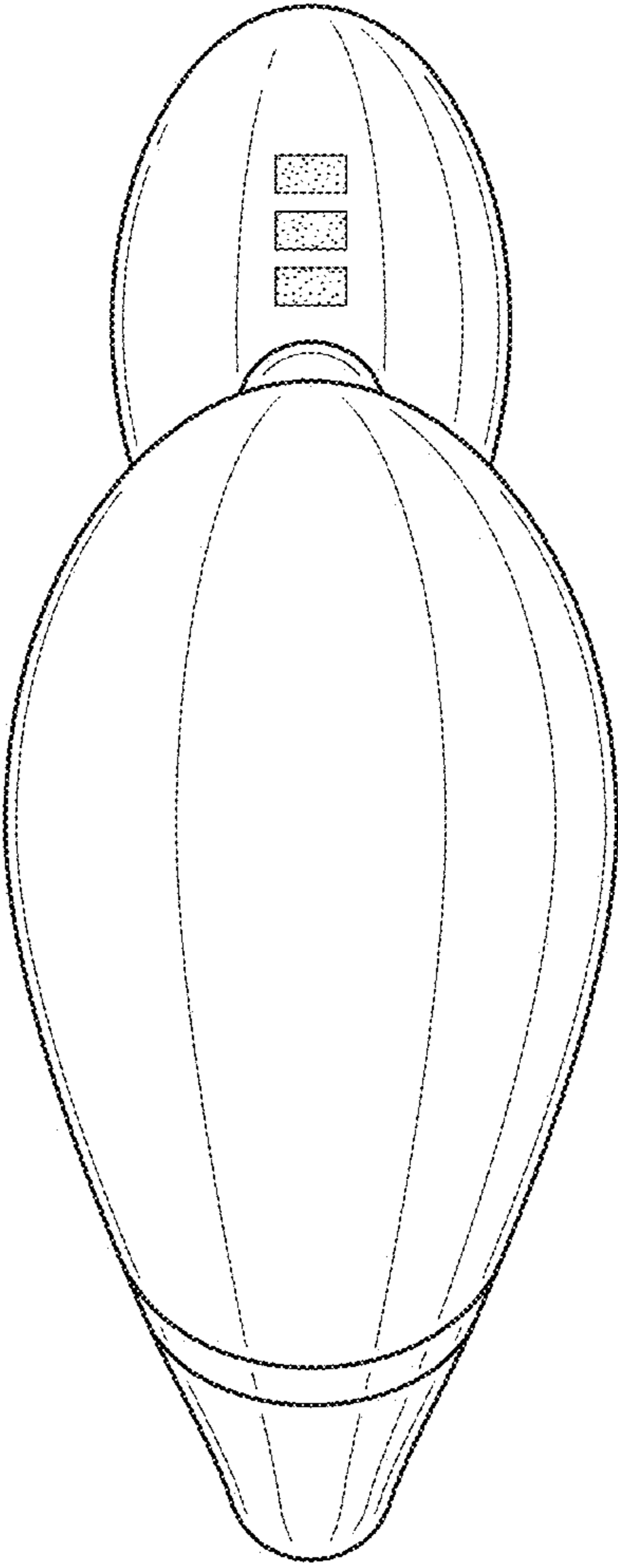


FIG. 10