



US00D988527S

(12) **United States Design Patent**  
**Huang**

(10) **Patent No.:** **US D988,527 S**  
(45) **Date of Patent:** **\*\* Jun. 6, 2023**

- (54) **CASTOR OIL PACK**
- (71) Applicant: **Zhifu Huang**, Xiamen (CN)
- (72) Inventor: **Zhifu Huang**, Xiamen (CN)
- (\*\*) Term: **15 Years**
- (21) Appl. No.: **29/885,114**
- (22) Filed: **Feb. 21, 2023**
- (51) **LOC (14) Cl.** ..... **07-99**
- (52) **U.S. Cl.**  
USPC ..... **D24/207; D24/206**
- (58) **Field of Classification Search**  
USPC ..... D24/124–126, 189, 190, 206–207;  
D8/375  
CPC ..... Y10T 16/195; Y10T 16/184; Y10T 16/18;  
Y10T 16/1853; Y10T 16/19; Y10T  
16/203; Y10T 16/1847; Y10T 16/209;  
Y10T 16/216; Y10T 16/205; Y10T  
16/3816; Y10T 16/384; B60B 33/0002;  
B60B 33/0049; B60B 33/0028; B60B  
33/00; B60B 33/0005; B60B 33/0044  
See application file for complete search history.

(56) **References Cited**

**U.S. PATENT DOCUMENTS**

- 5,088,487 A \* 2/1992 Turner ..... A61F 7/02  
62/530
- D328,792 S \* 8/1992 Salmon ..... D24/207
- D380,050 S \* 6/1997 Cappelli ..... D24/206
- D393,719 S \* 4/1998 Nichols ..... D24/207
- D404,490 S \* 1/1999 Tripolsky ..... D24/190
- D425,996 S \* 5/2000 Owen, Jr. .... D24/189
- D496,108 S \* 9/2004 Machin ..... D24/190
- D556,333 S \* 11/2007 Hoffman ..... D24/206
- D569,079 S \* 5/2008 Whong ..... D2/502
- D609,357 S \* 2/2010 Yim ..... D24/206
- D648,440 S \* 11/2011 Allen ..... D24/190
- D695,902 S \* 12/2013 Daniels ..... D24/206
- D767,380 S 9/2016 Austin, III et al.
- D784,544 S \* 4/2017 Dudkiewicz ..... D29/101.3
- D818,597 S \* 5/2018 Worstman ..... D24/207
- D884,198 S \* 5/2020 Mei ..... D24/190

- D888,978 S \* 6/2020 Daniels ..... D24/206
- D966,540 S \* 10/2022 Cha ..... D24/206
- D973,893 S \* 12/2022 Mazzuchelli ..... D24/207

(Continued)

**FOREIGN PATENT DOCUMENTS**

- GB 6256899 \* 2/2023
- GB 6256901 \* 2/2023
- GB 6256902 \* 2/2023

**OTHER PUBLICATIONS**

Castor Oil Pack Wrap. Feb. 11, 2023. Site visited Mar. 20, 2023. [https://www.amazon.com/Compress-Reusable-Adjustable-Washable-Included/dp/B0BVH9K932/ref=asc\_df\_B0BVH9K932/?tag=hyprod-20&linkCode=df0&hvadid=647214035941&hvpos=&hvnetw=g&hvrand=18040157316353999479&hvpone=&hvptwo=&hvqmt=&hvdev=c&hvdvcmdl=&hvlocint=&hvlocphy=9008192&hvtargid=pla-1969306473572&psc=1&gclid=EAIAIqobChMlsaPw29Hr\_QIVZfLjBx0rrQAJEAYBiABEgJgZfD\_BwE] (Year: 2023). (Year: 2023).\*

(Continued)

*Primary Examiner* — Wendy L Arminio  
*Assistant Examiner* — Maheen Khurshid

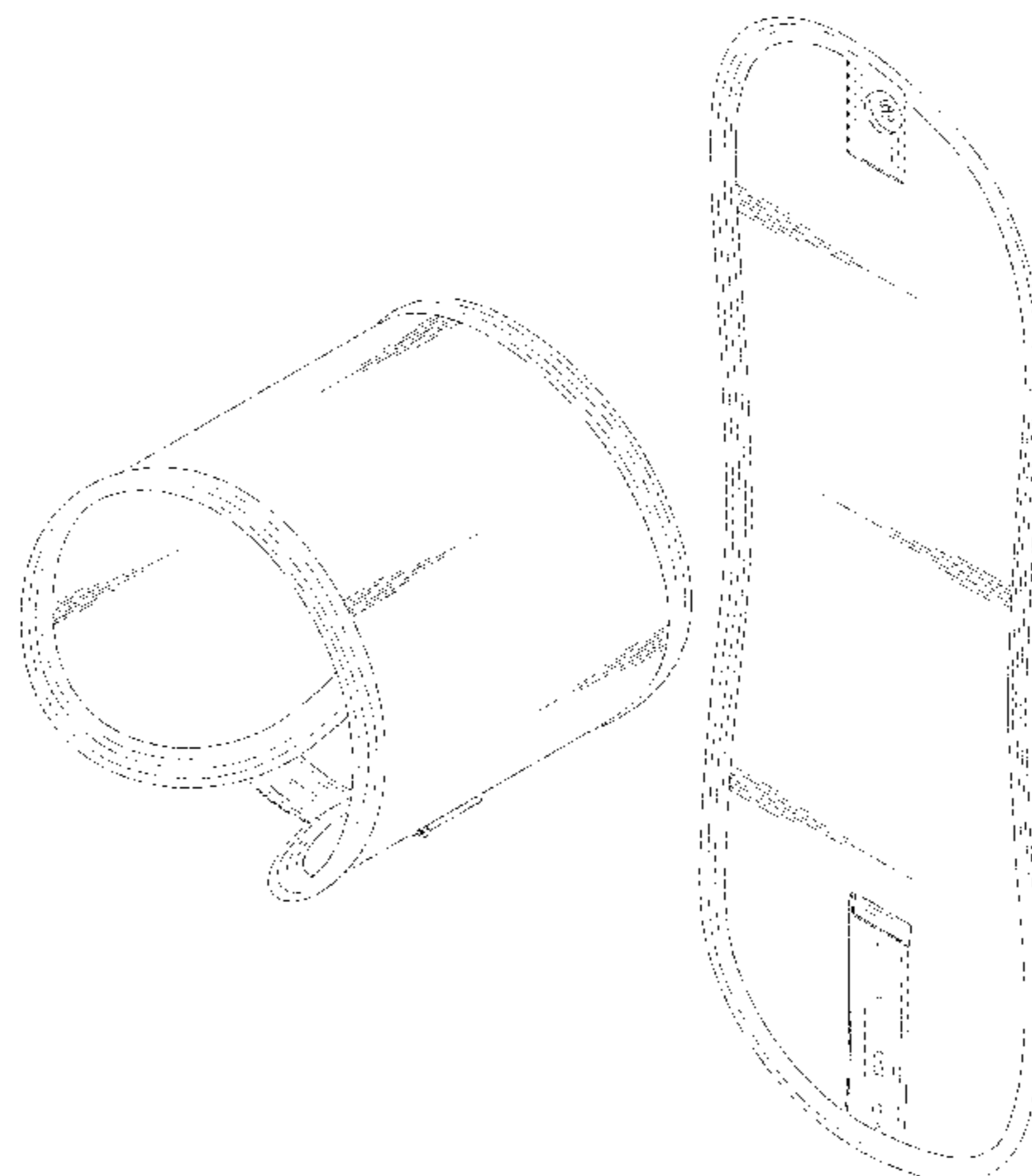
(57) **CLAIM**

The ornamental design for a castor oil pack, as shown and described.

**DESCRIPTION**

FIG. 1 is a top perspective view of a castor oil pack, showing my new design;  
FIG. 2 is a perspective view of a castor oil pack in an alternate, unfolded state;  
FIG. 3 is a front view thereof;  
FIG. 4 is a rear view thereof;  
FIG. 5 is a left side view thereof;  
FIG. 6 is a right side view thereof;  
FIG. 7 is a top view thereof; and,  
FIG. 8 is a bottom view thereof.

(Continued)



The broken lines in the drawings illustrate portions of the castor oil pack which form no part of the claimed design.

**1 Claim, 8 Drawing Sheets**

(56) **References Cited**

U.S. PATENT DOCUMENTS

2012/0204381 A1\* 8/2012 Ingimundarson ..... A41F 1/04  
24/71.1  
2017/0014255 A1\* 1/2017 Booker ..... A61H 9/0078  
2017/0036001 A1\* 2/2017 Kocevar ..... A41C 1/10

OTHER PUBLICATIONS

Castor Oil Pack for Liver (Compress). Apr. 22, 2020. Site visited  
Mar. 20, 2023. [<https://www.amazon.com/Castor-Oil-Pack-Liver-Compress/dp/B087CBWCY5>] (Year: 2020).\*

\* cited by examiner

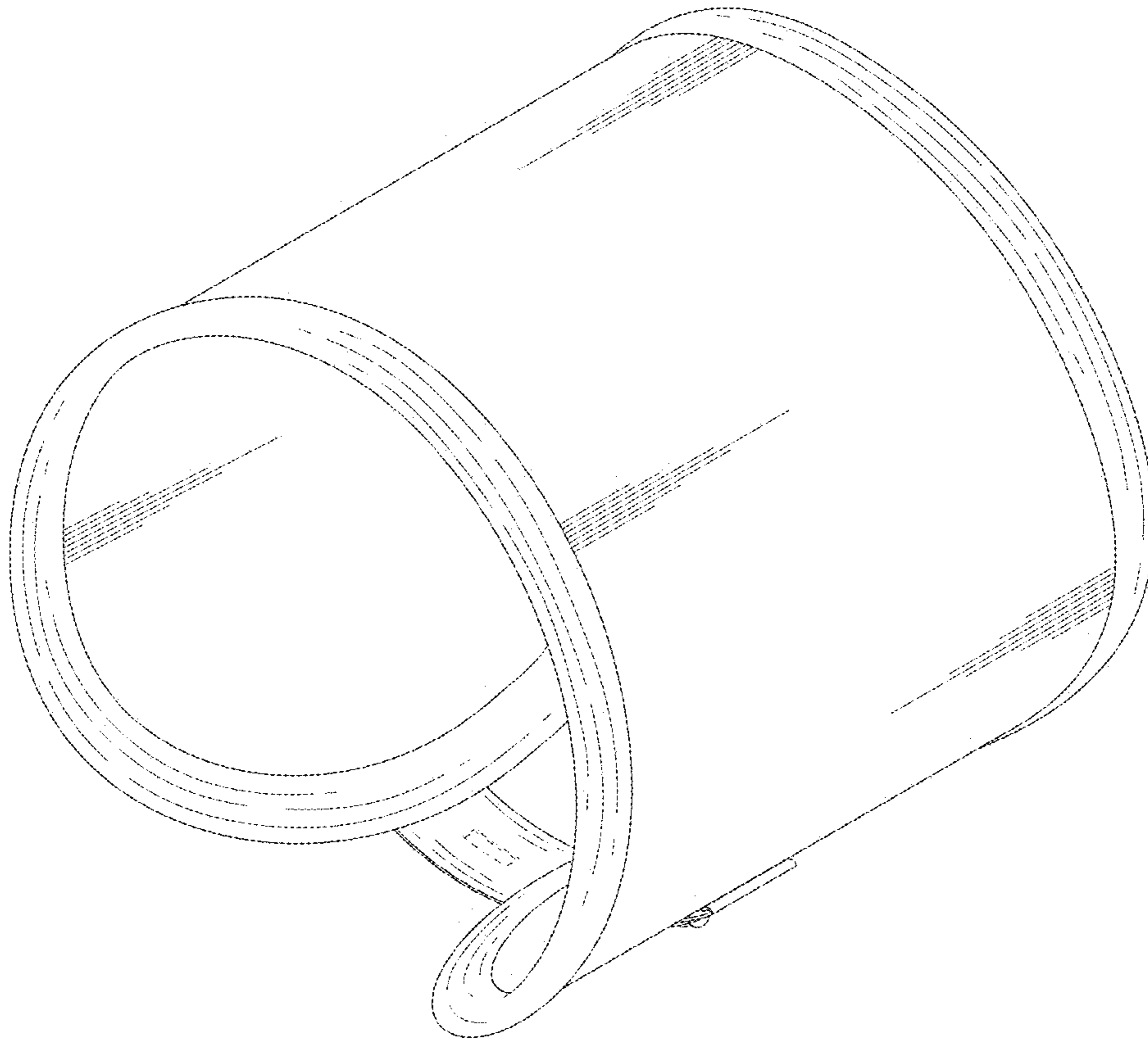


FIG. 1

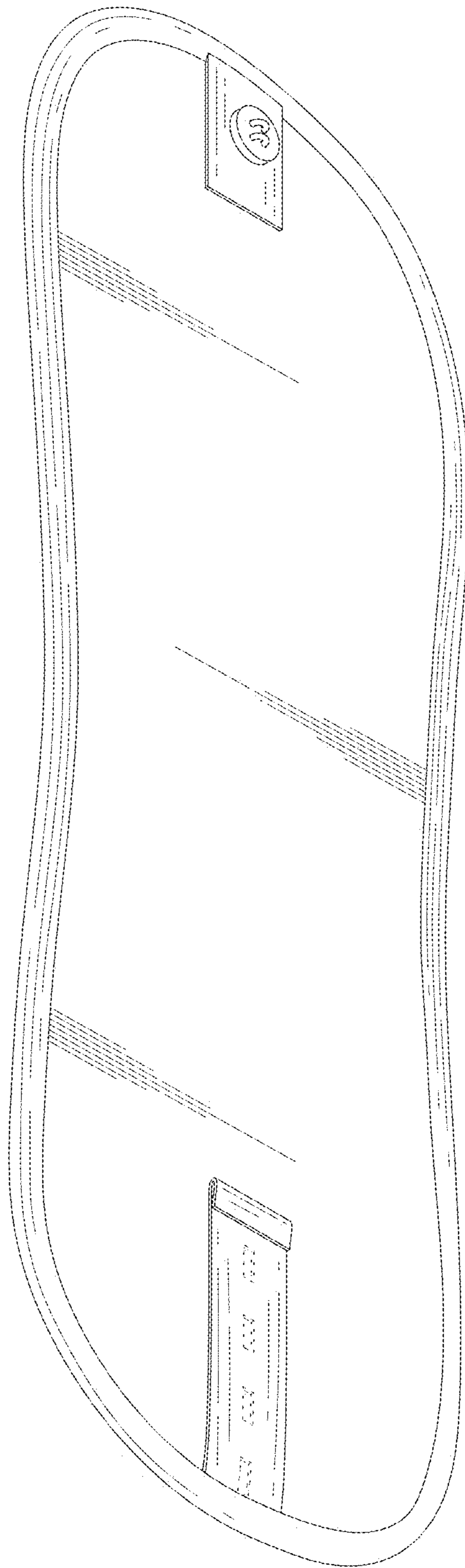


FIG. 2

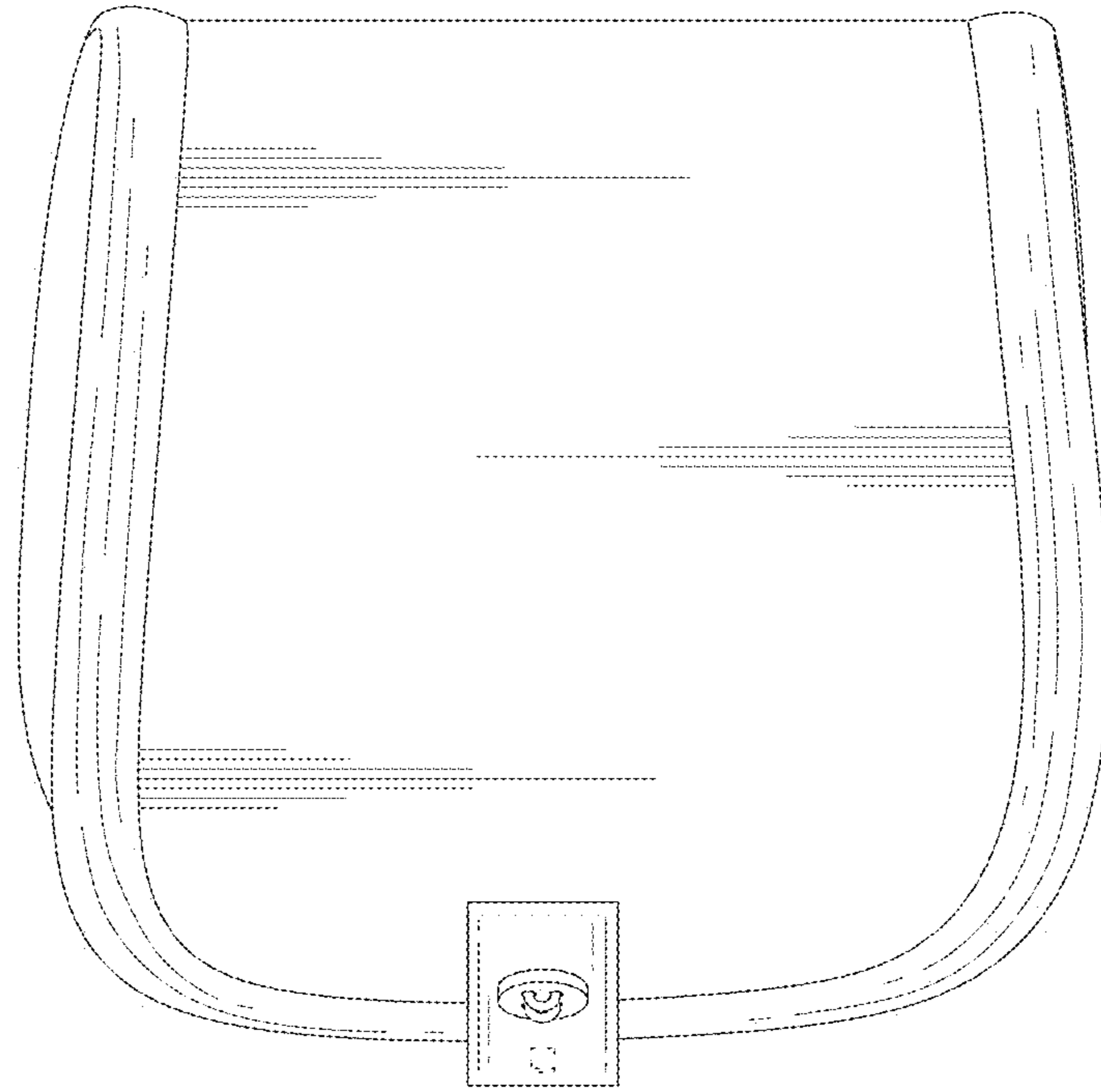


FIG. 3

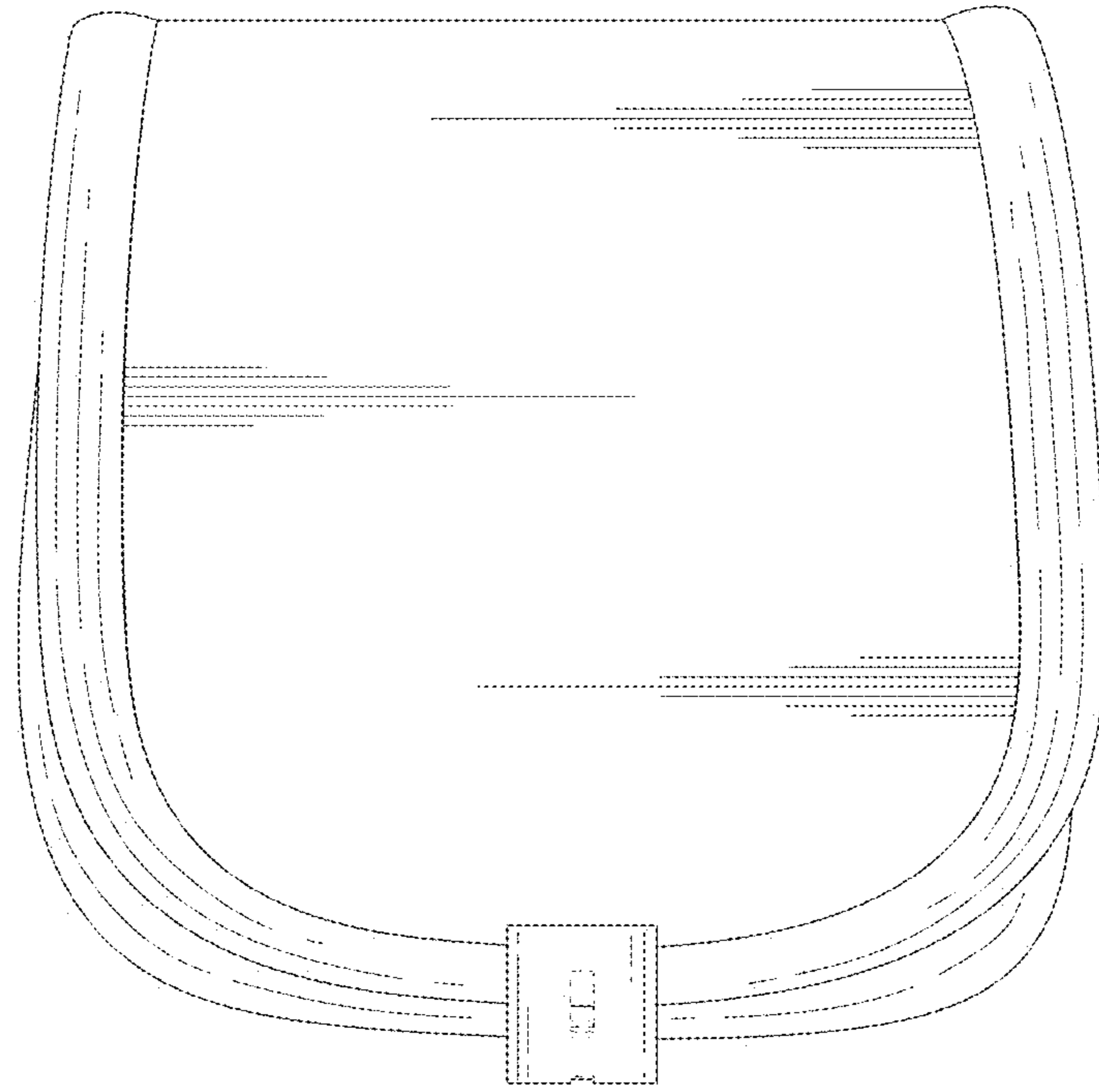


FIG. 4

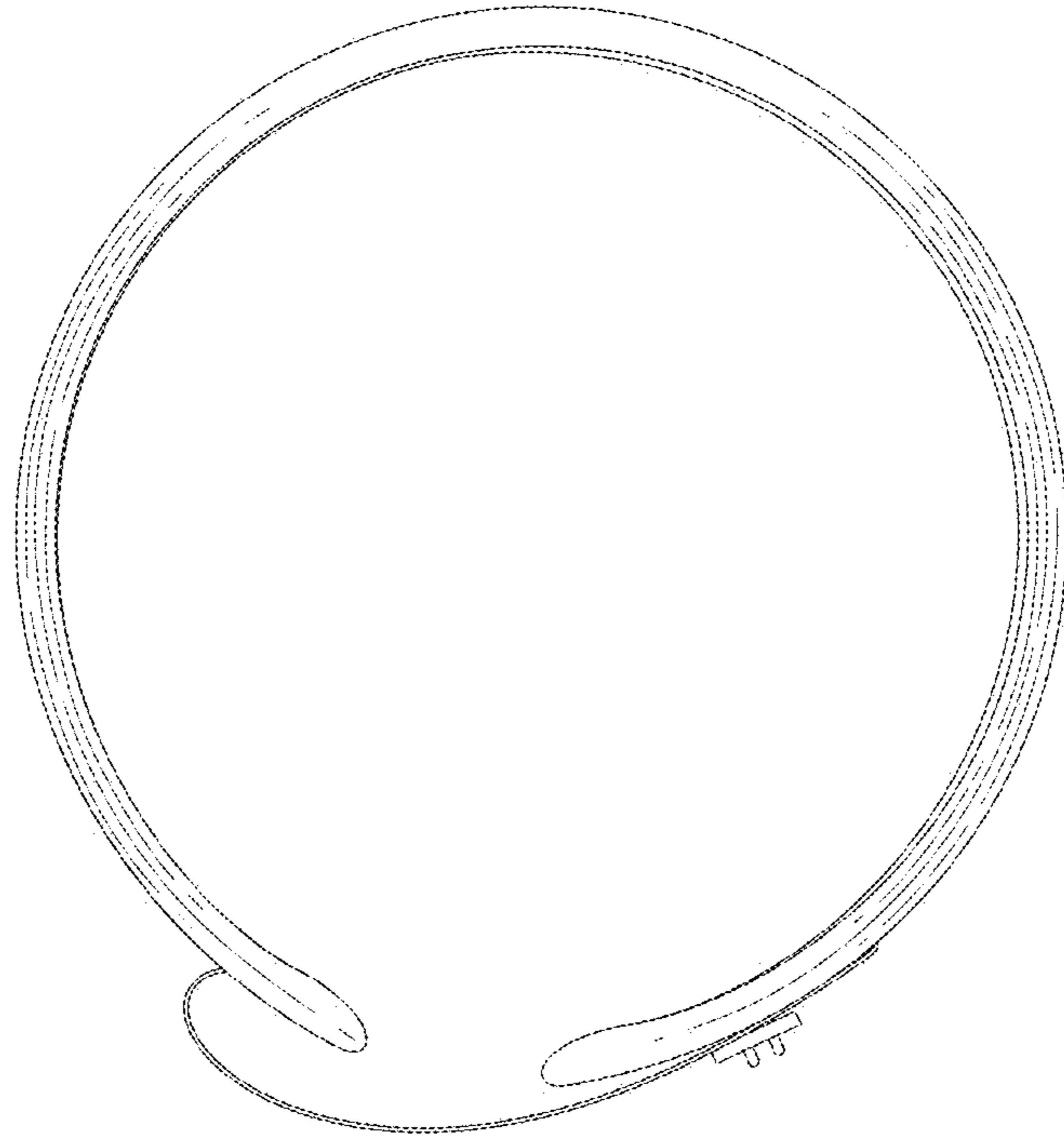


FIG. 5

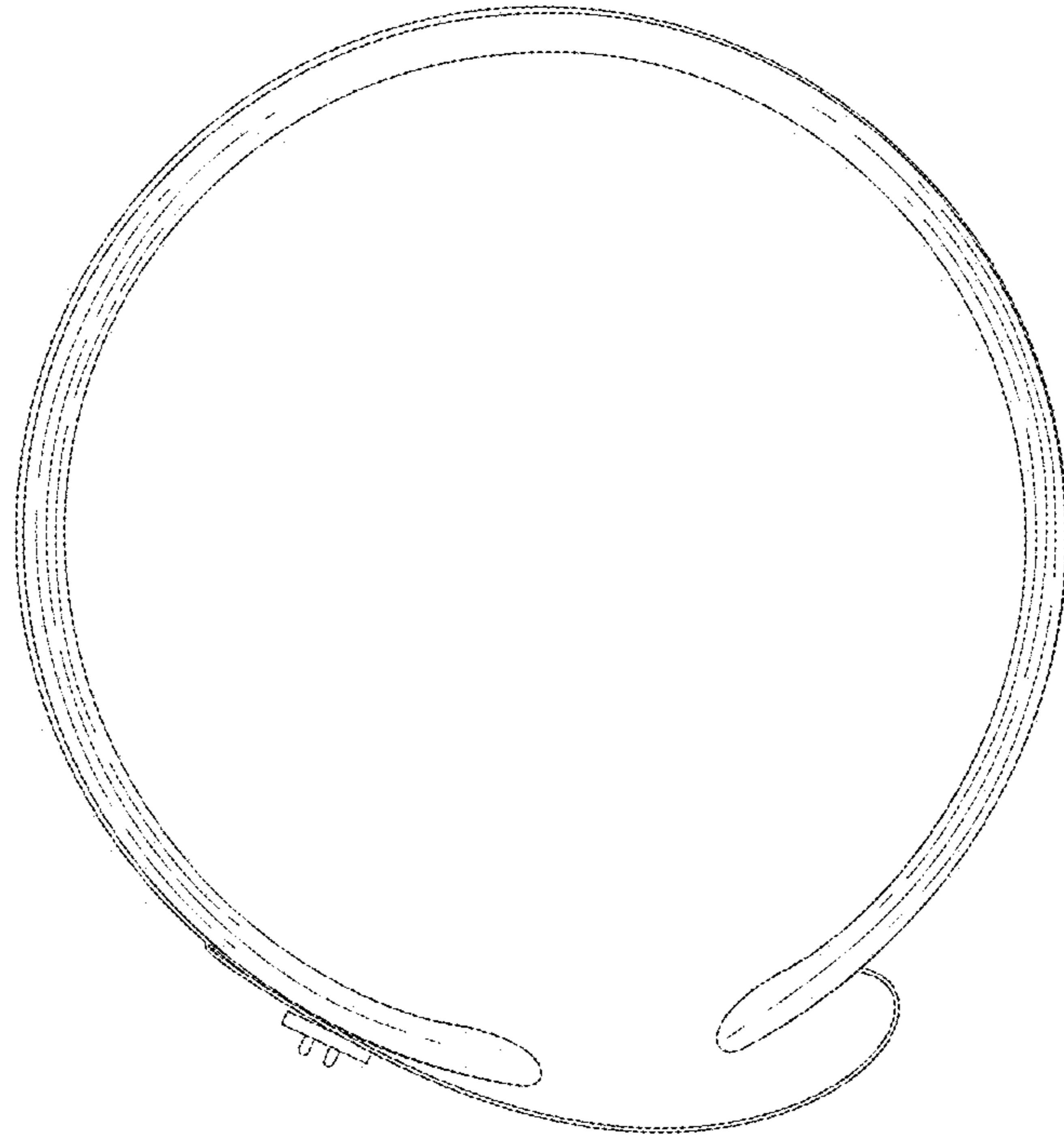


FIG. 6



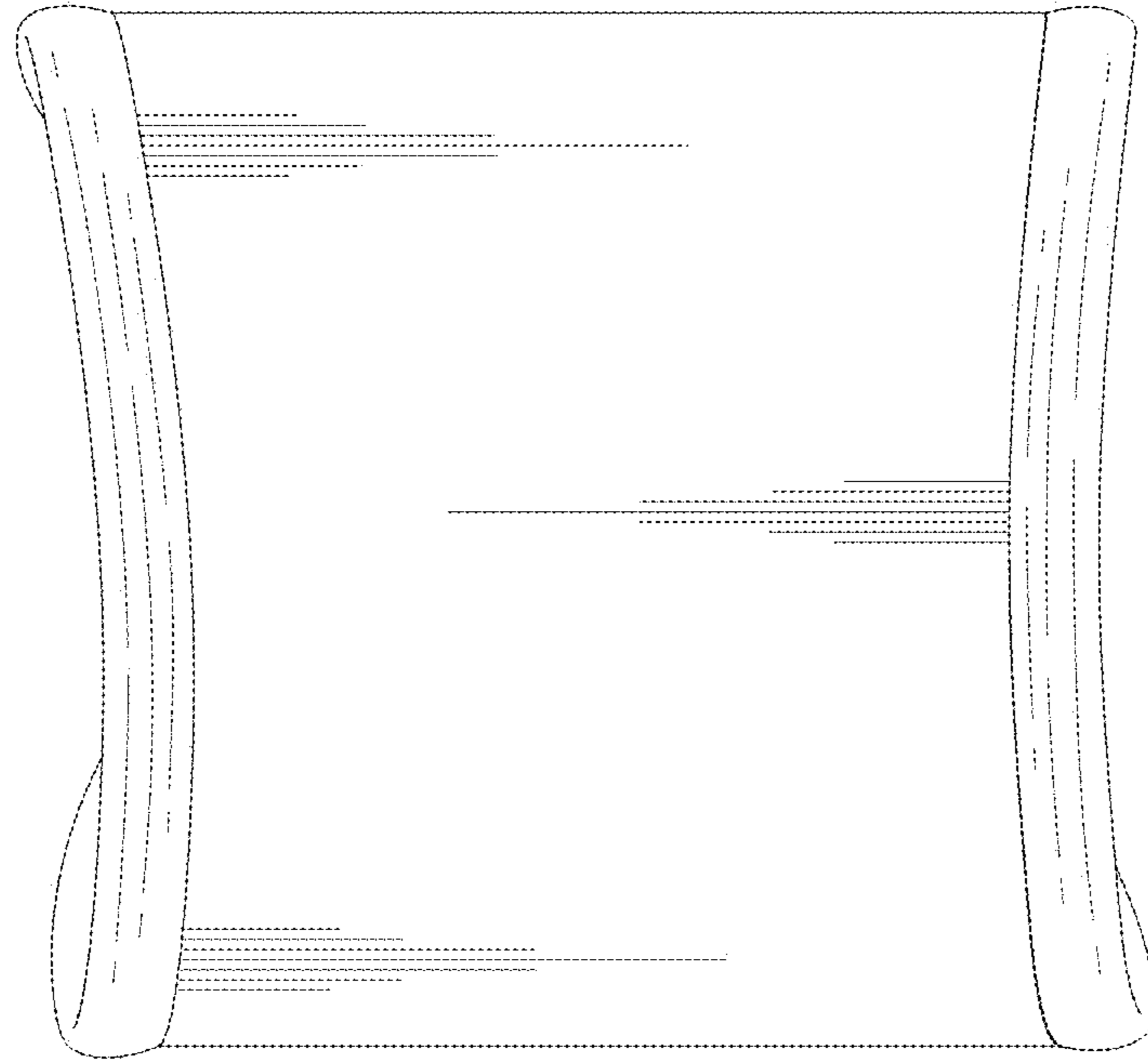


FIG. 7

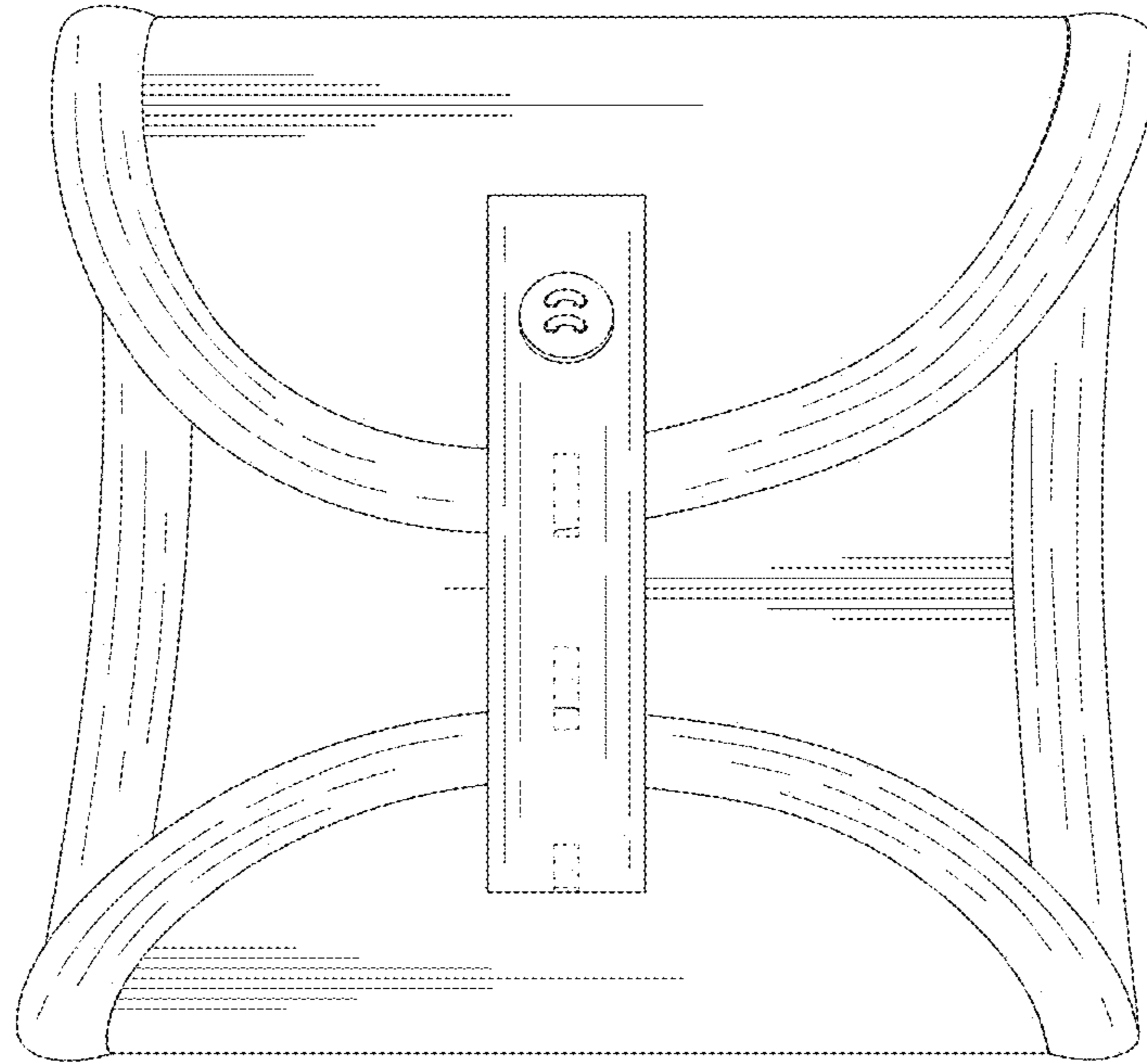


FIG. 8